

US00D832415S

(12) **United States Design Patent**
Lu et al.

(10) **Patent No.:** **US D832,415 S**
(45) **Date of Patent:** **** Oct. 30, 2018**

(54) **AROMA DIFFUSER**

(71) Applicant: **Hui Li**, Guangdong (CN)
(72) Inventors: **Shao Quan Lu**, Guangdong (CN); **Yu Yang**, Guangdong (CN); **Lei Peng Zuo**, Guangdong (CN); **Xian An Wu**, Guangdong (CN); **Peng Fei Zuo**, Guangdong (CN); **Hai Feng Yan**, Guangdong (CN); **Mu Mian Wang**, Guangdong (CN); **Ze Hui Hu**, Guangdong (CN)

(73) Assignee: **Hui Li**, Guangdong (CN)

(**) Term: **15 Years**

(21) Appl. No.: **29/593,217**

(22) Filed: **Feb. 7, 2017**

(51) **LOC (11) Cl.** **23-04**

(52) **U.S. Cl.**
USPC **D23/366**

(58) **Field of Classification Search**
USPC D23/355-369; D14/409; D32/53, 232, D32/246; D7/700
CPC A61L 9/02; A61L 9/03; A61L 9/12; A61L 9/035; A61L 9/125
See application file for complete search history.

(56) **References Cited**

U.S. PATENT DOCUMENTS

D195,747 S *	7/1963	Stolarz	D23/356
D229,754 S *	1/1974	Ali	D11/145
D697,171 S *	1/2014	Bradford	D23/209
D700,847 S *	3/2014	Chapman	D9/724
D711,504 S *	8/2014	Jackson	D23/209
D755,361 S *	5/2016	Osborn	D23/366
D771,785 S *	11/2016	Huang	D23/366

OTHER PUBLICATIONS

Kizen.net, 500ML Designer Glass Ultrasonic Aromatherapy Diffuser, undated product page, retrieved Jan. 8, 2018 from <URL: https://kizen.net/500-ml-designer-glass-ultrasonic-aromatherapy-diffuser.html> (Year: 2017).*

* cited by examiner

Primary Examiner — Sheryl Lane
Assistant Examiner — Calvin E Vansant
(74) *Attorney, Agent, or Firm* — WPAT, P.C., Intellectual Property Attorneys; Anthony King

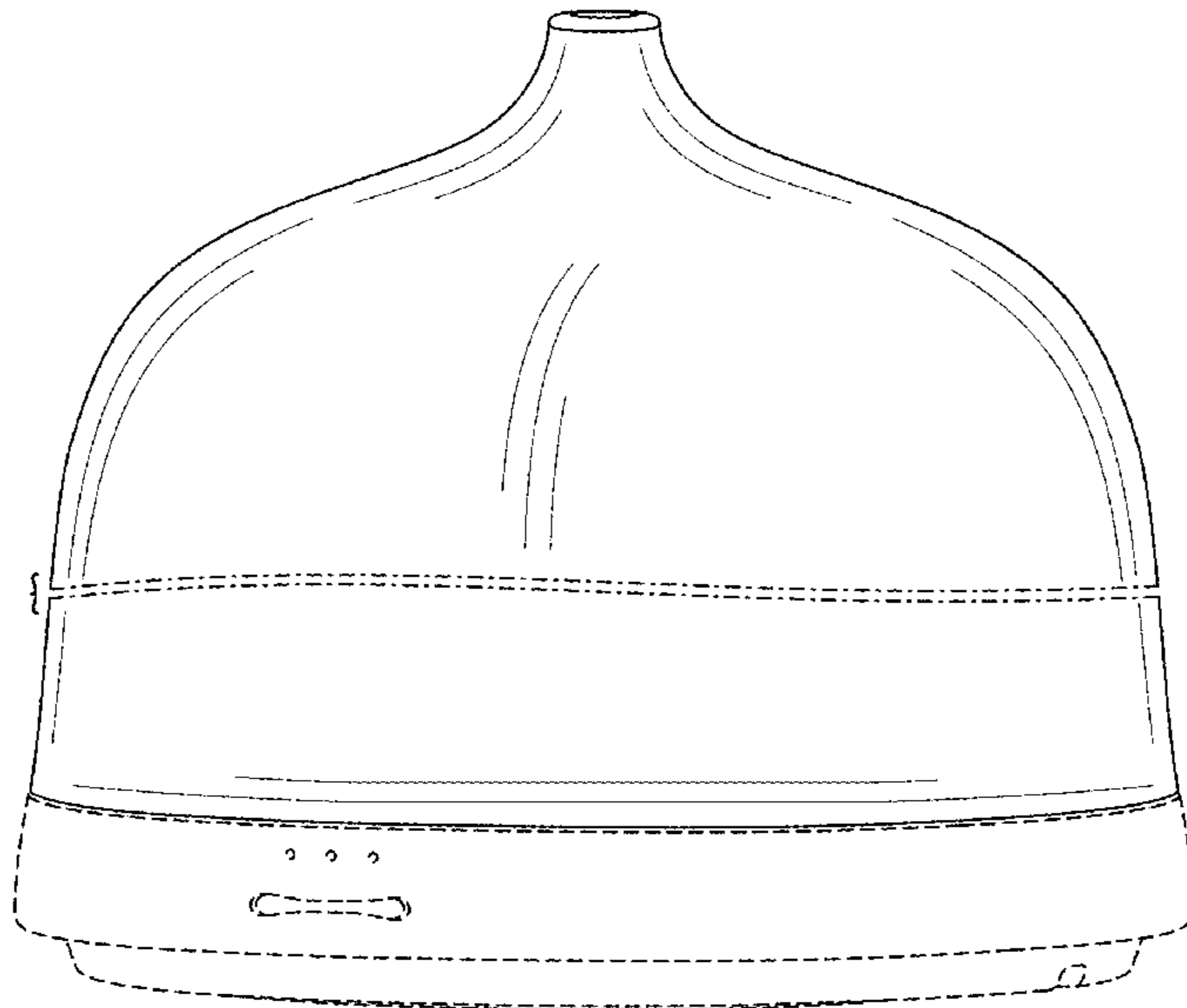
(57) **CLAIM**

The ornamental design for an aroma diffuser, as shown and described.

DESCRIPTION

FIG. 1 is a perspective view of an aroma diffuser of the present invention;
FIG. 2 is a front view of the aroma diffuser of FIG. 1;
FIG. 3 is a back view of the aroma diffuser of FIG. 1;
FIG. 4 is a left side view of the aroma diffuser of FIG. 1;
FIG. 5 is a right side view of the aroma diffuser of FIG. 1;
FIG. 6 is a top view of the aroma diffuser of FIG. 1; and, FIG. 7 is a bottom view of the aroma diffuser of FIG. 1.
The broken lines depict portions of the aroma diffuser that form no part of the claim.
The dash-dot-dash broken lines, showing the body of the aroma diffuser broken away in FIGS. 1-5, indicate an unclaimed boundary and show that the appearance of any portion of the article between these break lines forms no part of the claimed design.

1 Claim, 7 Drawing Sheets



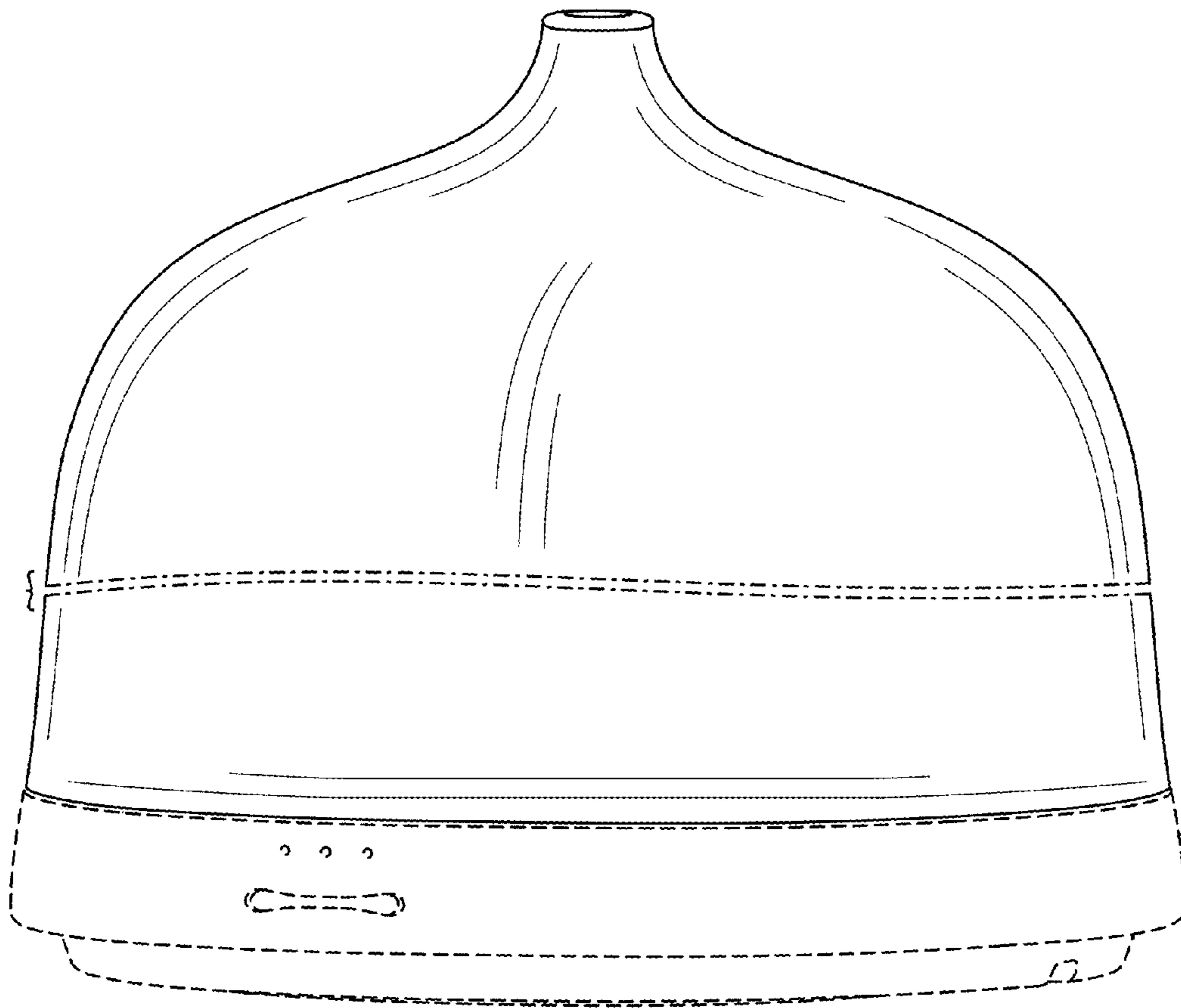


FIG. 1

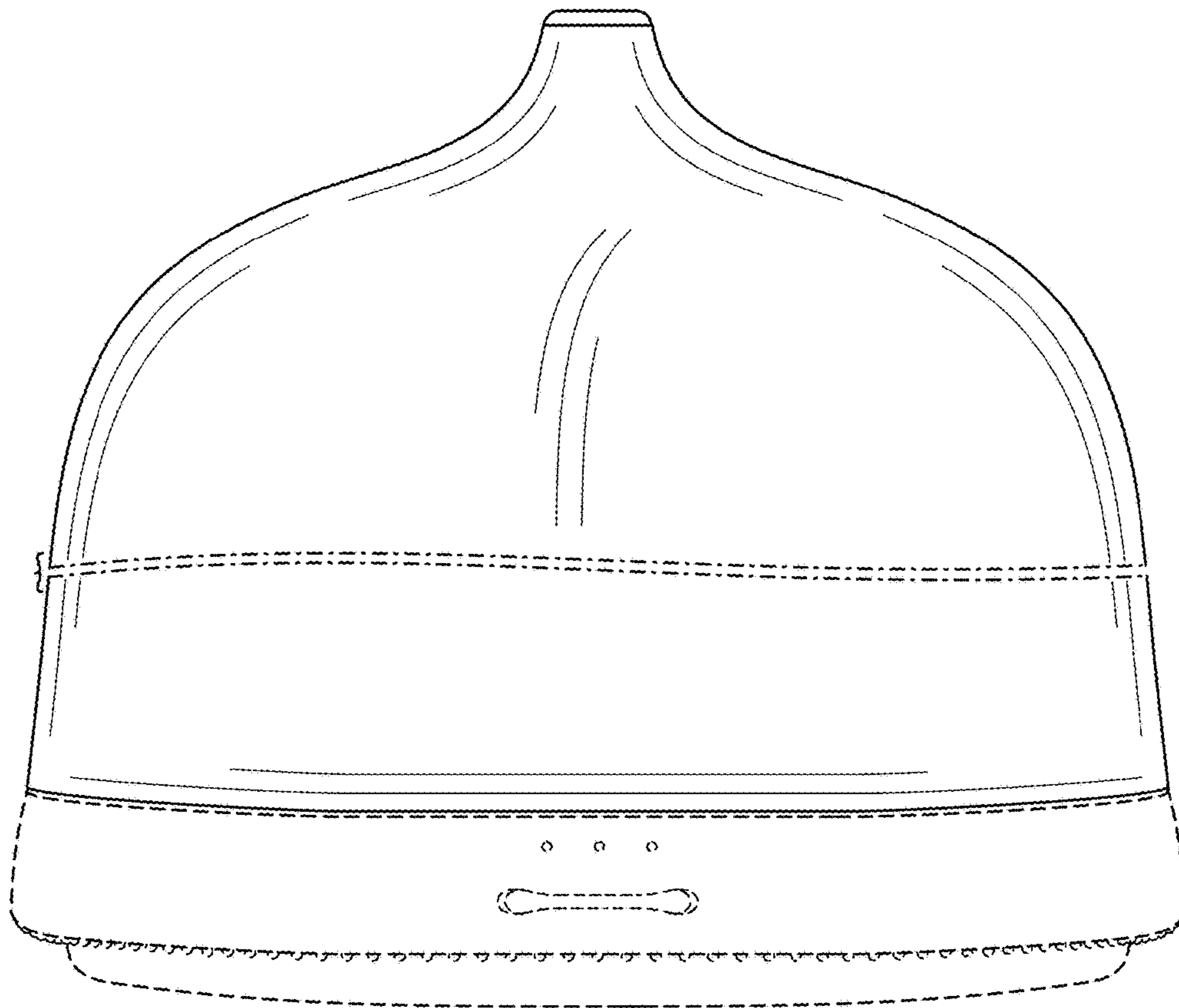


FIG. 2

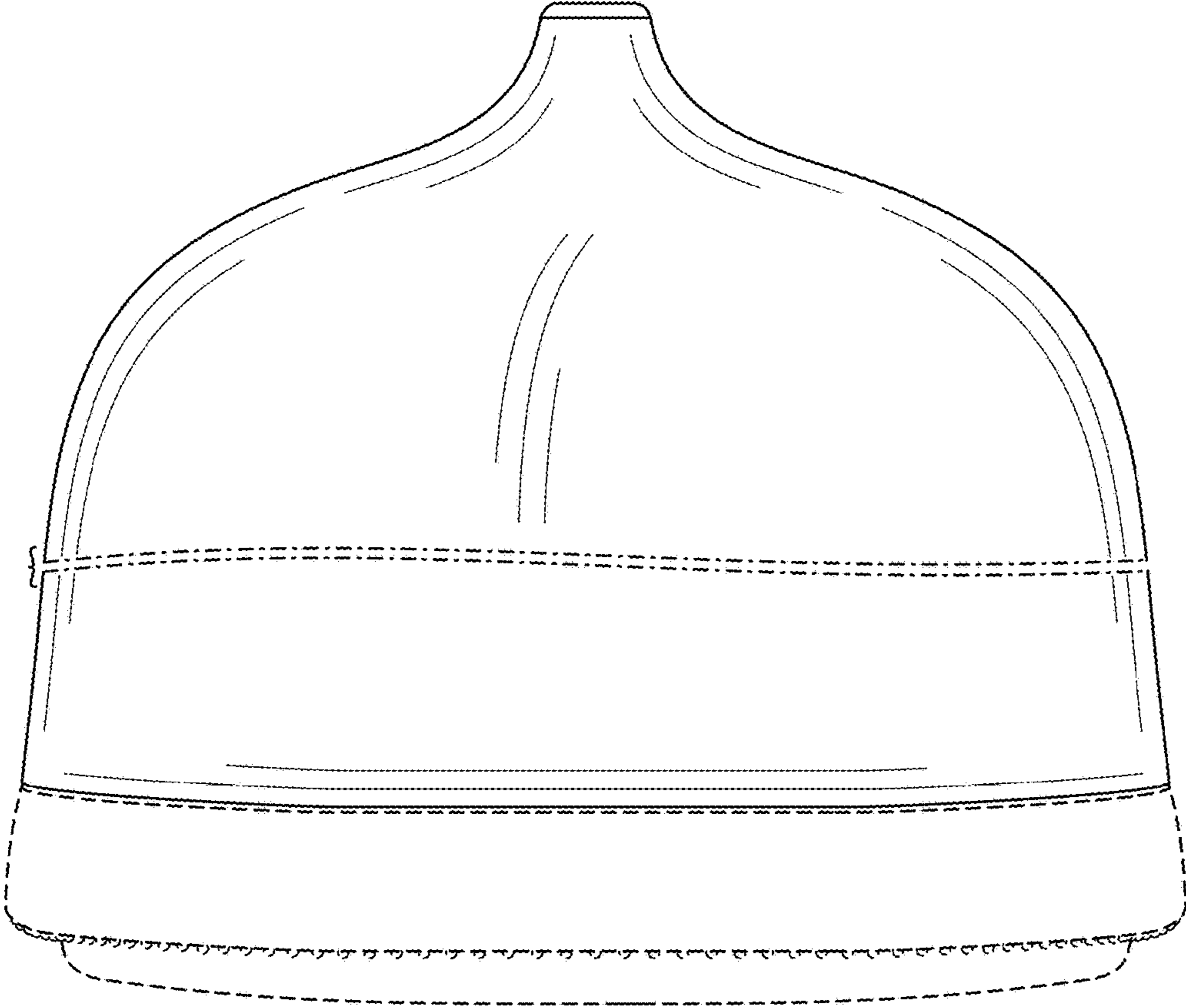


FIG. 3

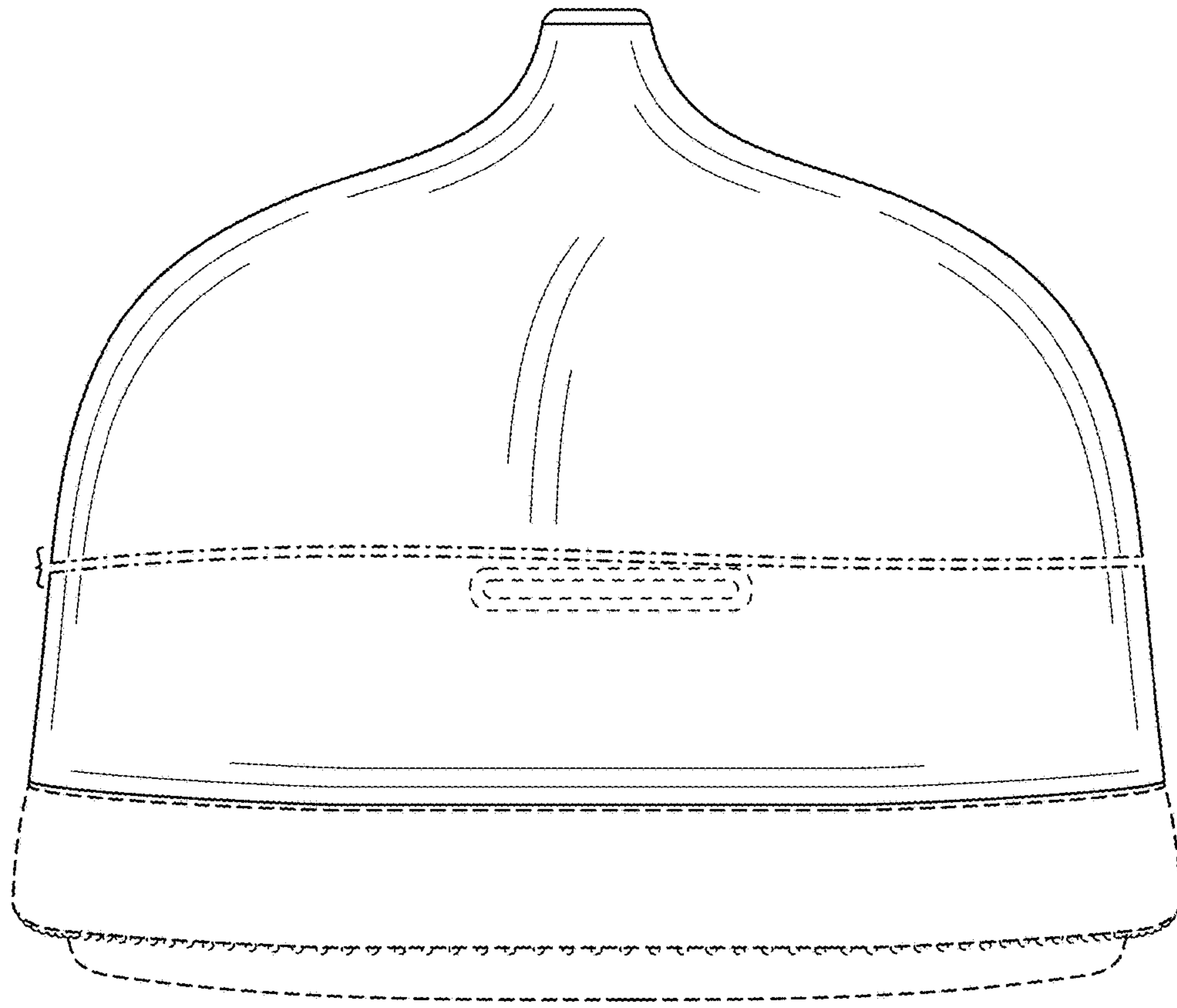


FIG. 4

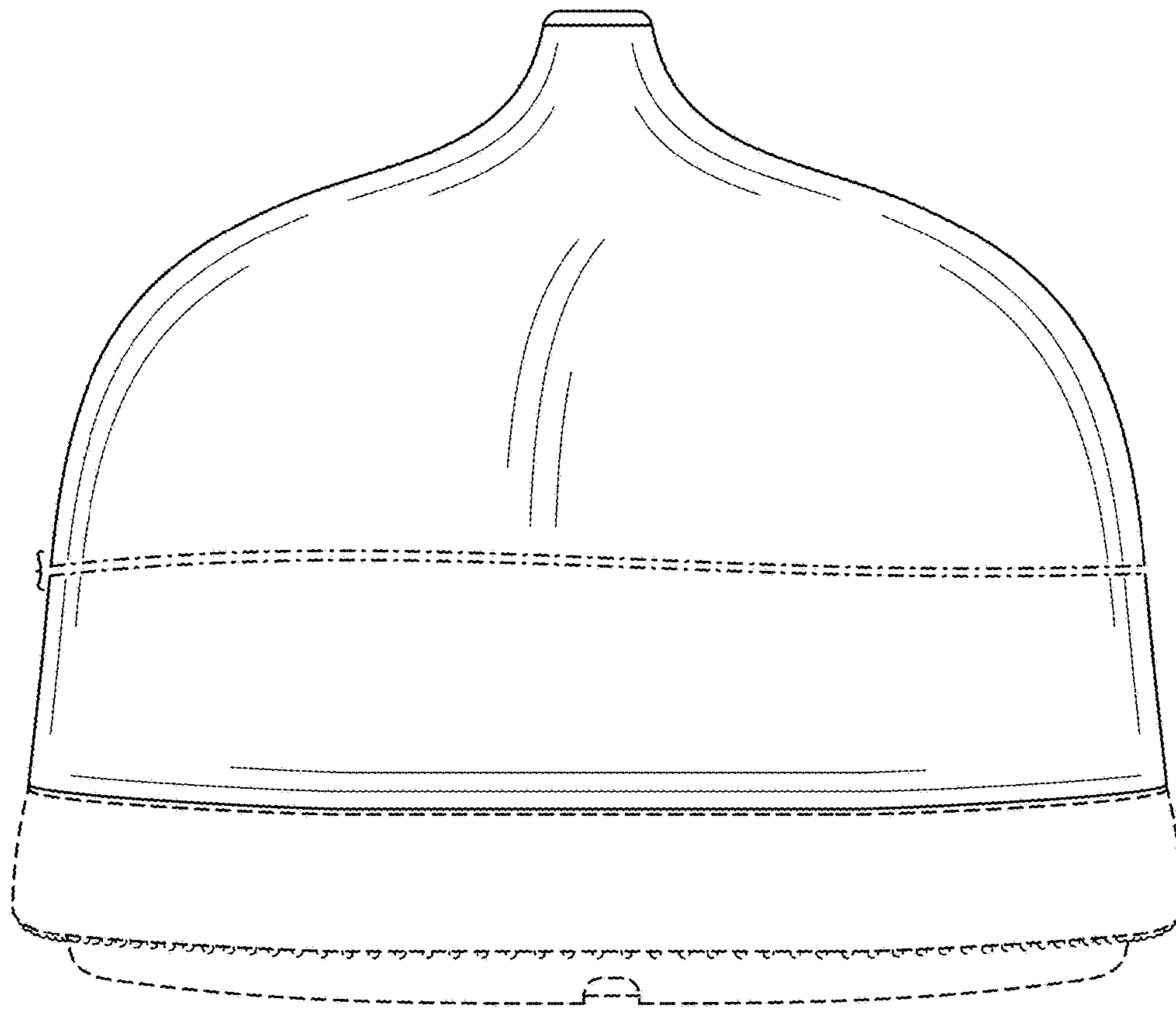


FIG. 5

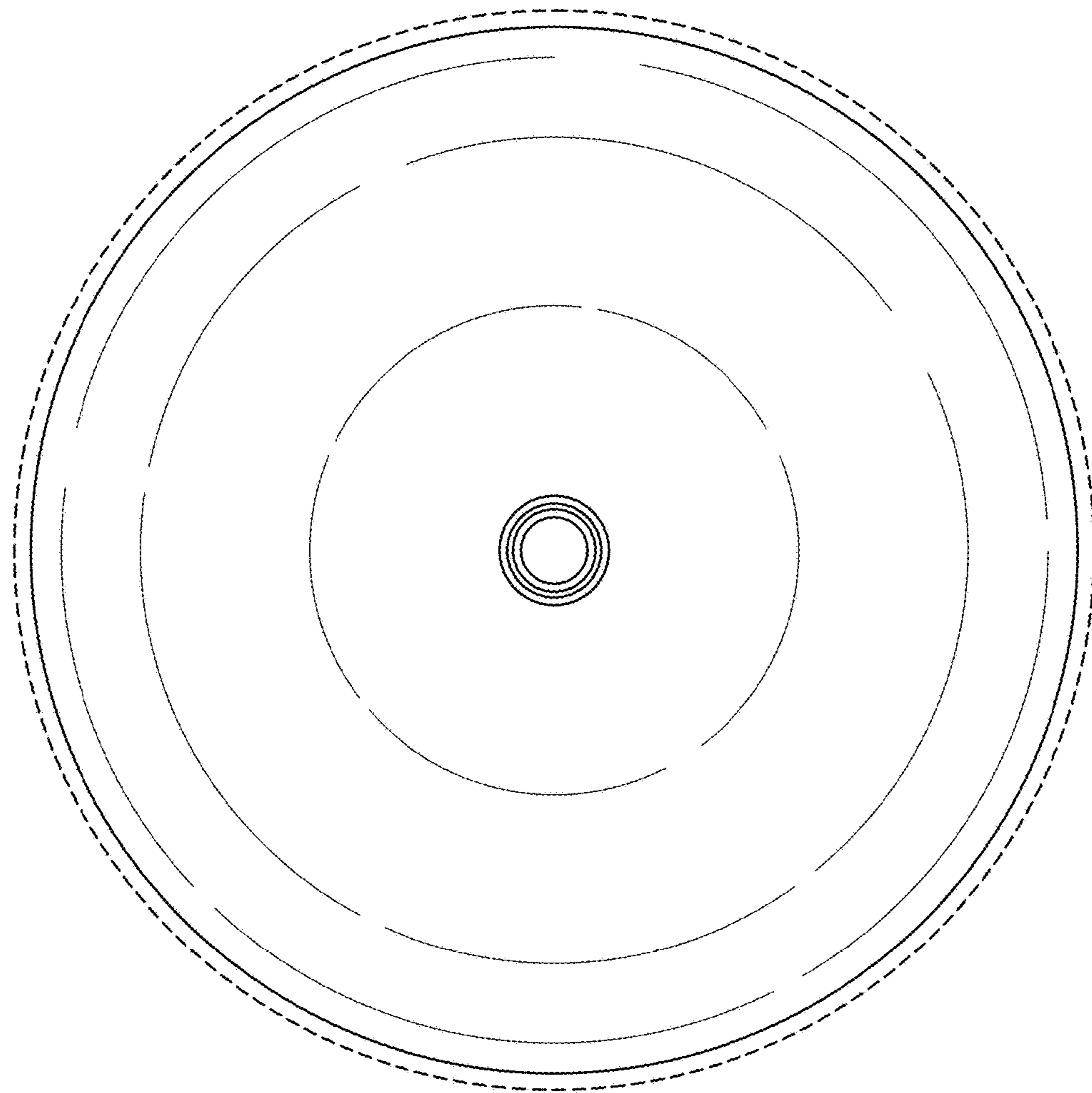


FIG. 6

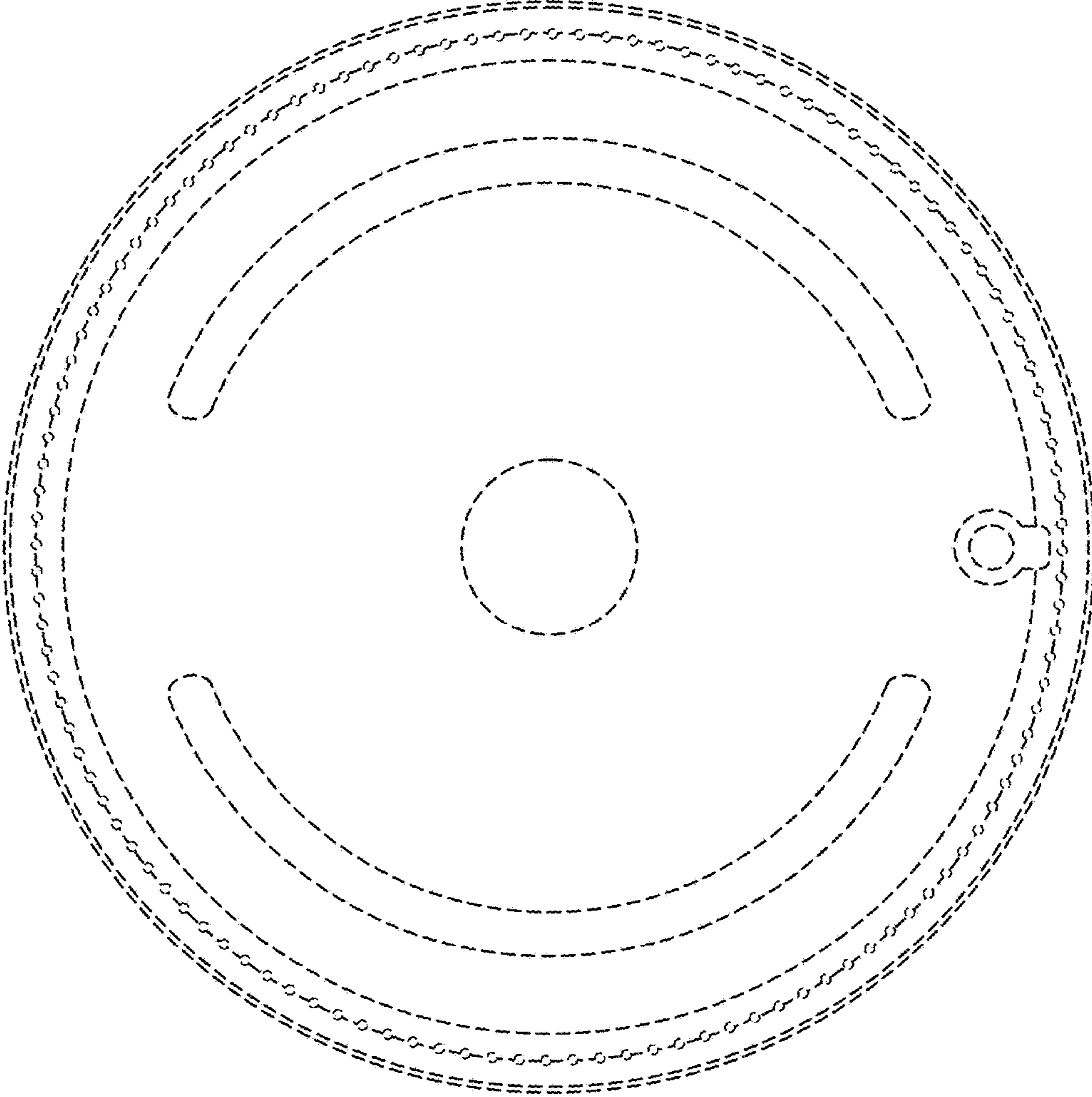


FIG. 7