



US00D832414S

(12) **United States Design Patent**
Sharma et al.

(10) **Patent No.:** **US D832,414 S**
(45) **Date of Patent:** **** Oct. 30, 2018**

- (54) **APPARATUS FOR CLEANING AIR**
- (71) Applicant: **VBREATHE PTY LTD**, Pymont (AU)
- (72) Inventors: **Mohit Sharma**, Pymont (AU); **Robert Brian Seaman**, Balmain (AU); **Abigail Maude Thomas**, Balmain (AU)
- (73) Assignee: **VBREATHE PTY LTD**, Pymont (AU)
- (**) Term: **15 Years**
- (21) Appl. No.: **29/623,242**
- (22) Filed: **Oct. 24, 2017**
- (51) **LOC (11) Cl.** **23-04**
- (52) **U.S. Cl.**
USPC **D23/364**
- (58) **Field of Classification Search**
USPC D23/355-366, 352, 369, 332, 333, 335, D23/336, 342, 351; 422/120, 122; 55/356, 473, 504; 96/97; D14/188, 170, D14/172; 261/DIG. 17, DIG. 65, 261/DIG. 88, DIG. 31; D18/34.6
CPC .. A61L 9/16; A61L 9/22; B01D 47/00; B01D 47/027; B01D 2221/02; B01D 2259/4508; B03C 3/155; B03C 3/368; F24F 3/16; F24F 13/20; F24F 13/28; F24F 3/1405; F24F 3/1603; F24F 13/222
See application file for complete search history.

D716,427 S *	10/2014	Lim	D23/364
D716,432 S *	10/2014	Viala	A61L 9/03
				D23/366
D768,834 S *	10/2016	Schuller	D23/366
D788,897 S *	6/2017	Lee	D23/356
D794,170 S *	8/2017	Lopez	D23/332
D806,843 S *	1/2018	McDonnell	D23/355
D810,265 S *	2/2018	Chen	D23/366
D818,097 S *	5/2018	Cho	D23/364
2017/0138616 A1 *	5/2017	Wang	F24F 1/02

OTHER PUBLICATIONS

Kickstarter.com, the world's most effective & smartest organic air purifier, Dec. 13, 2016, <https://www.kickstarter.com/projects/vbreathe/the-worlds-most-effective-and-smartest-organic-air/updates>.*

* cited by examiner

Primary Examiner — David Muller
Assistant Examiner — Nathan Johnston
(74) *Attorney, Agent, or Firm* — Gearhart Law LLC

(57) **CLAIM**

The ornamental design for an apparatus for cleaning air, as shown and described.

DESCRIPTION

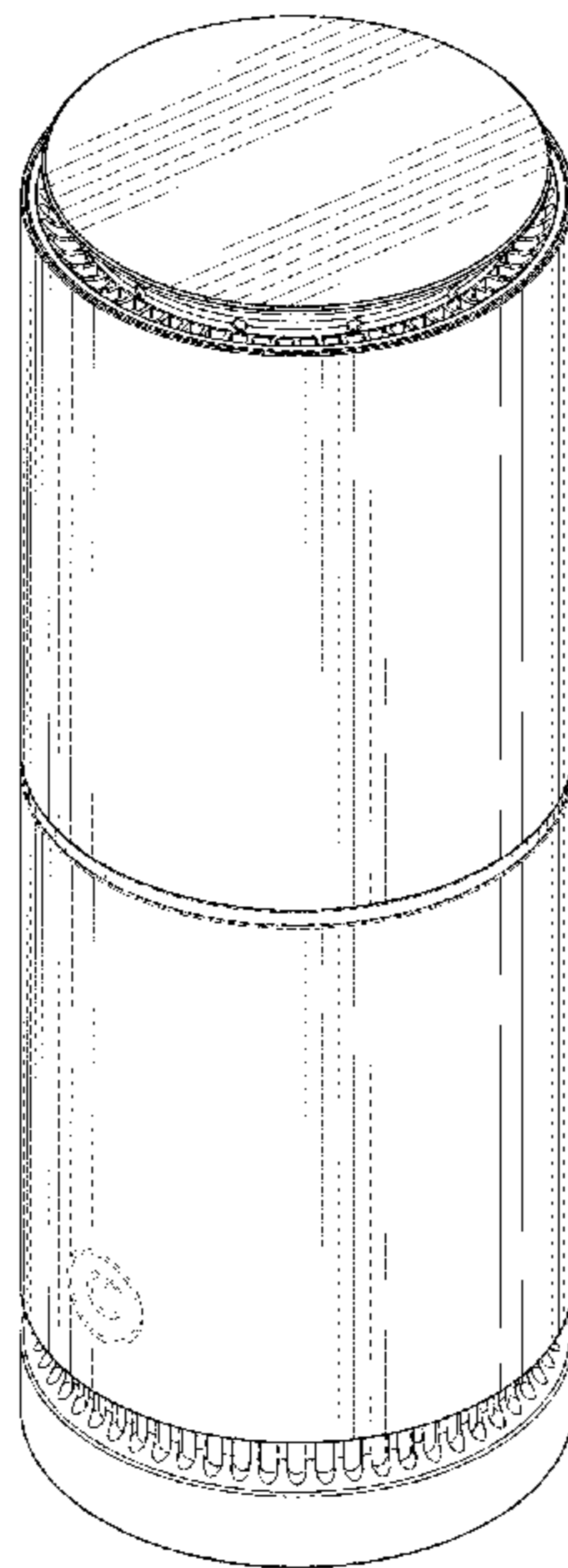
FIG. 1 is a front top isometric view of an apparatus for cleaning air showing our new design.
FIG. 2 is a rear underside isometric view thereof.
FIG. 3 is a front elevation view thereof.
FIG. 4 is a rear elevation view thereof.
FIG. 5 is a left side elevation view thereof.
FIG. 6 is a right side elevation view thereof.
FIG. 7 is a top plan view thereof; and,
FIG. 8 is a bottom plan view thereof.

1 Claim, 7 Drawing Sheets

(56) **References Cited**

U.S. PATENT DOCUMENTS

D157,840 S *	3/1950	Carraway	D23/352
D328,946 S *	8/1992	Havrilla	D23/365
D355,962 S *	2/1995	Chiu	D23/364
D659,819 S *	5/2012	Edwards	D24/110



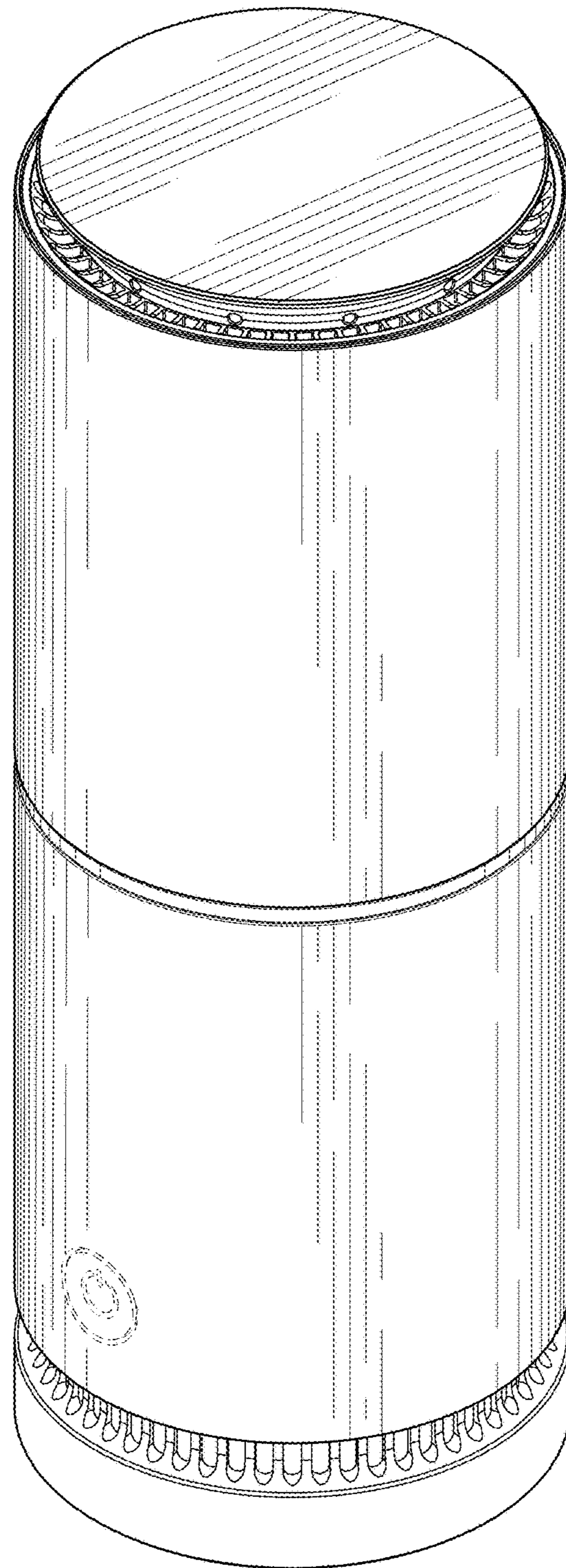


FIG. 1

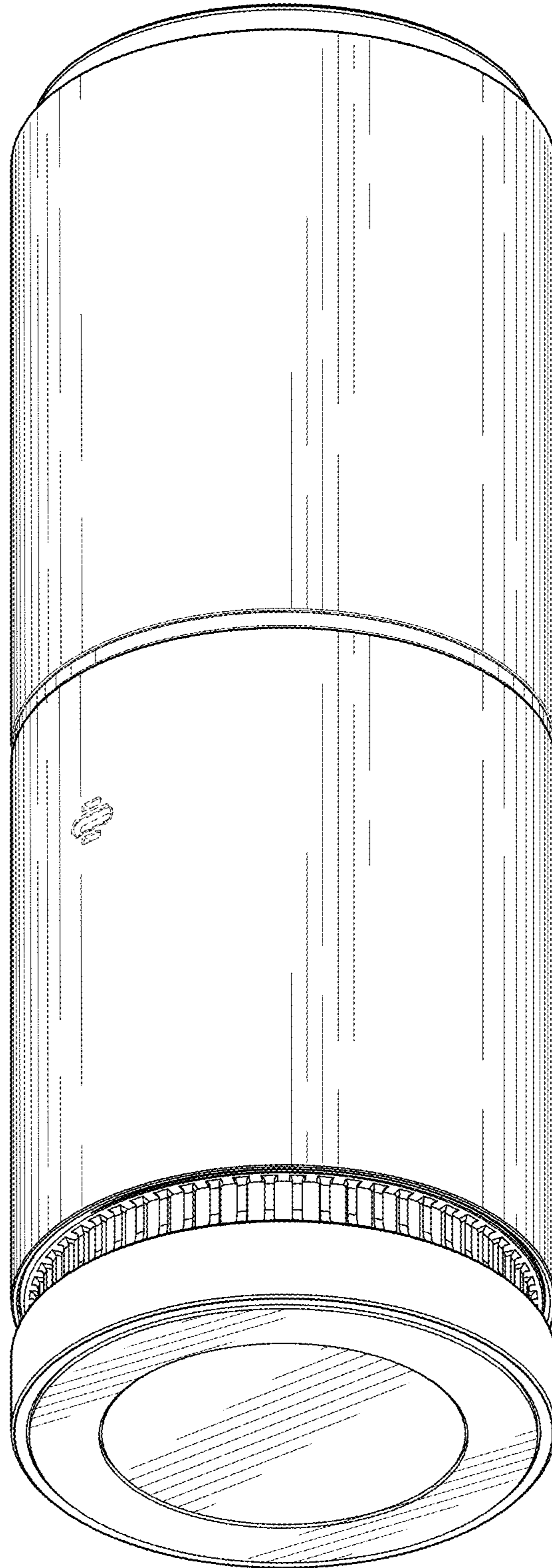


FIG. 2

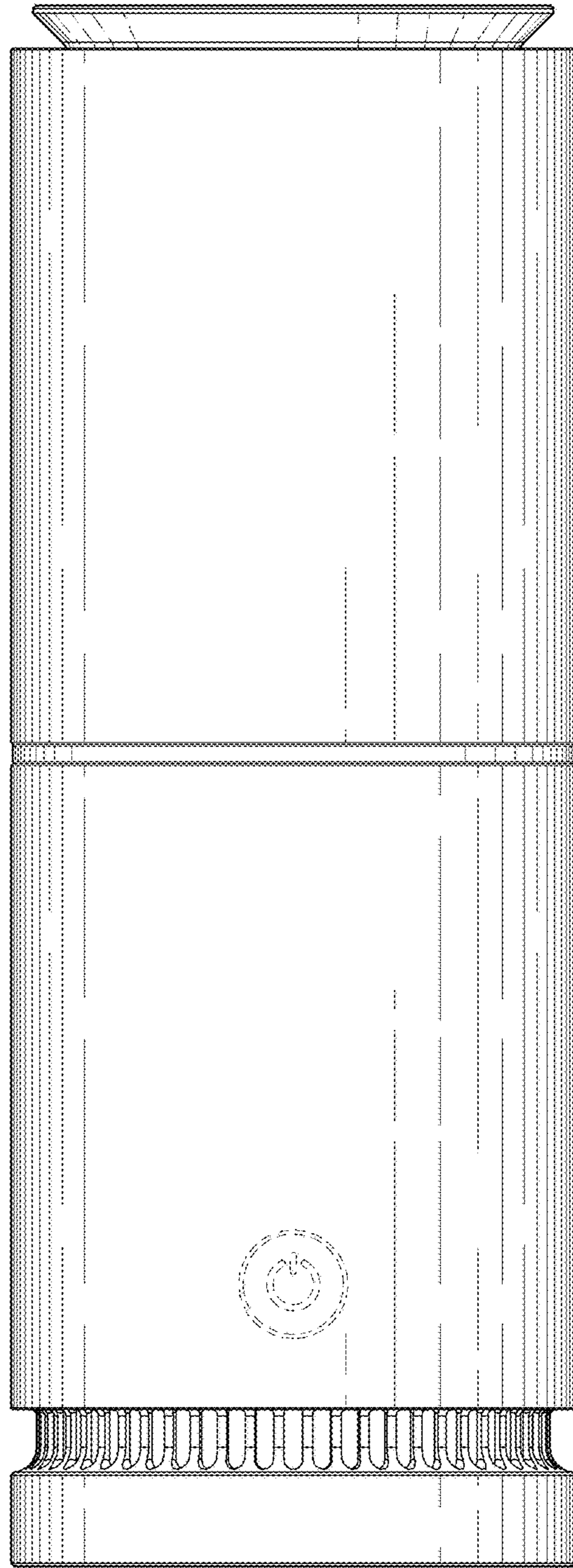


FIG. 3

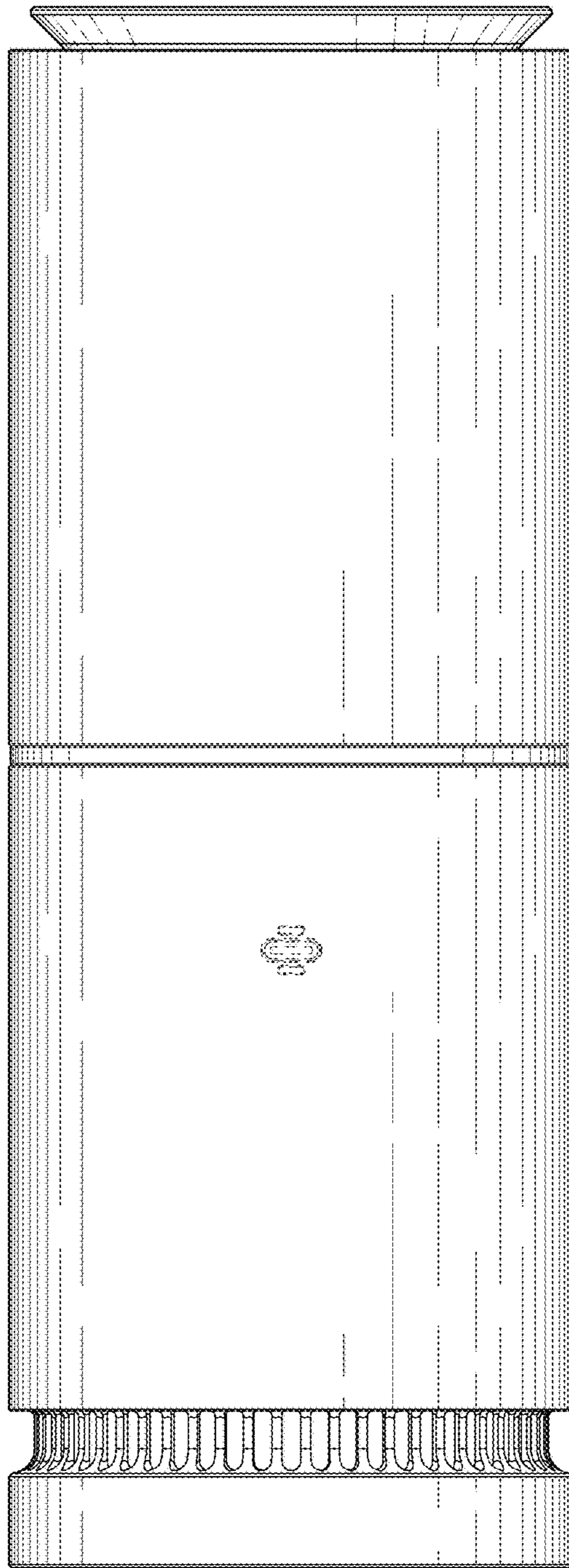


FIG. 4

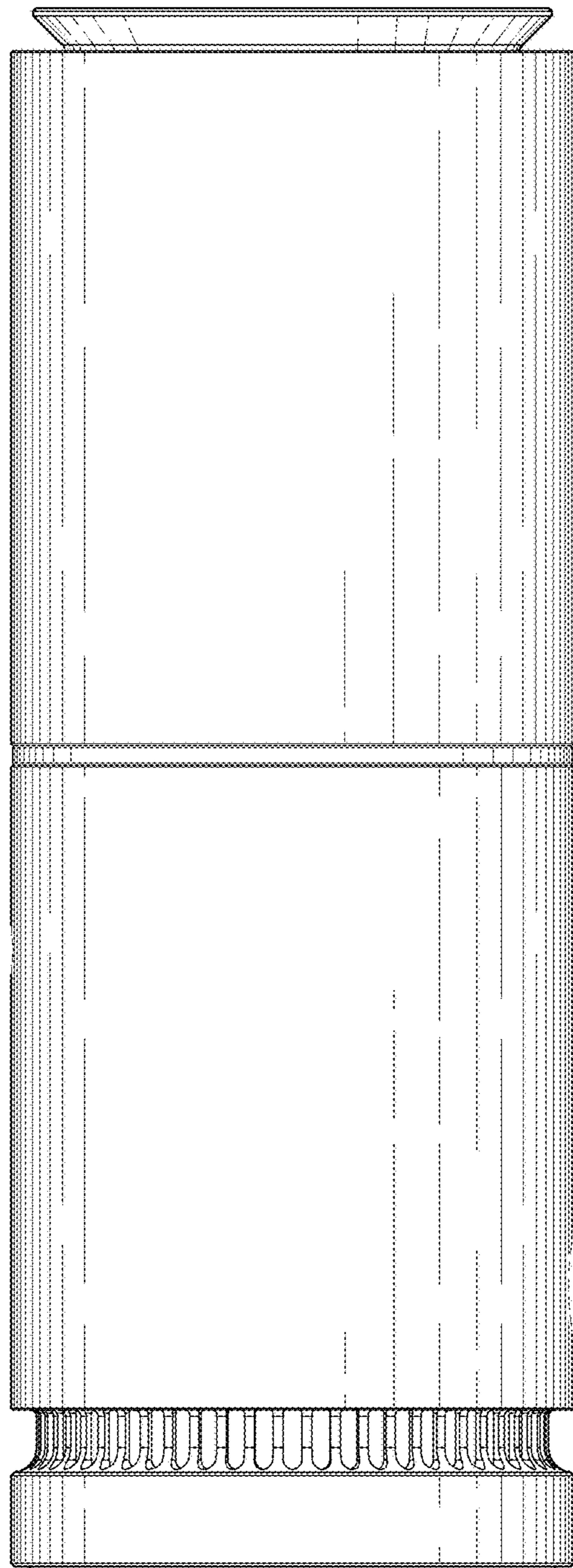


FIG. 5

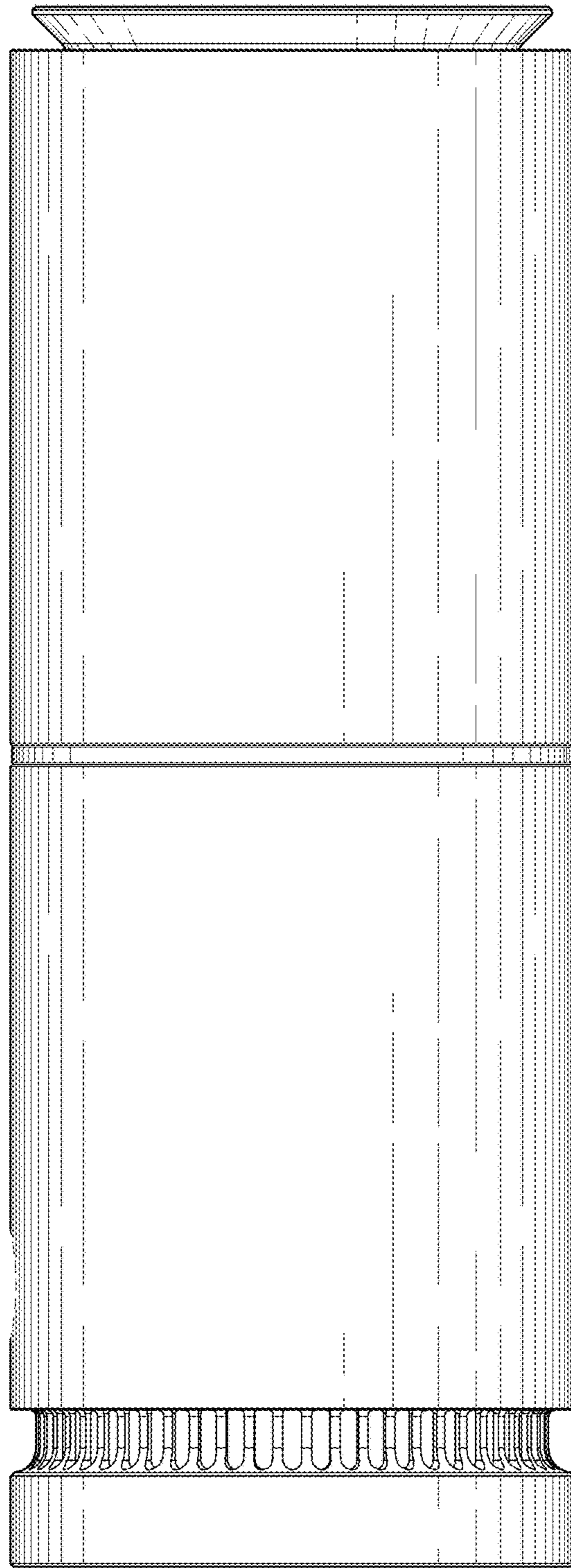


FIG. 6

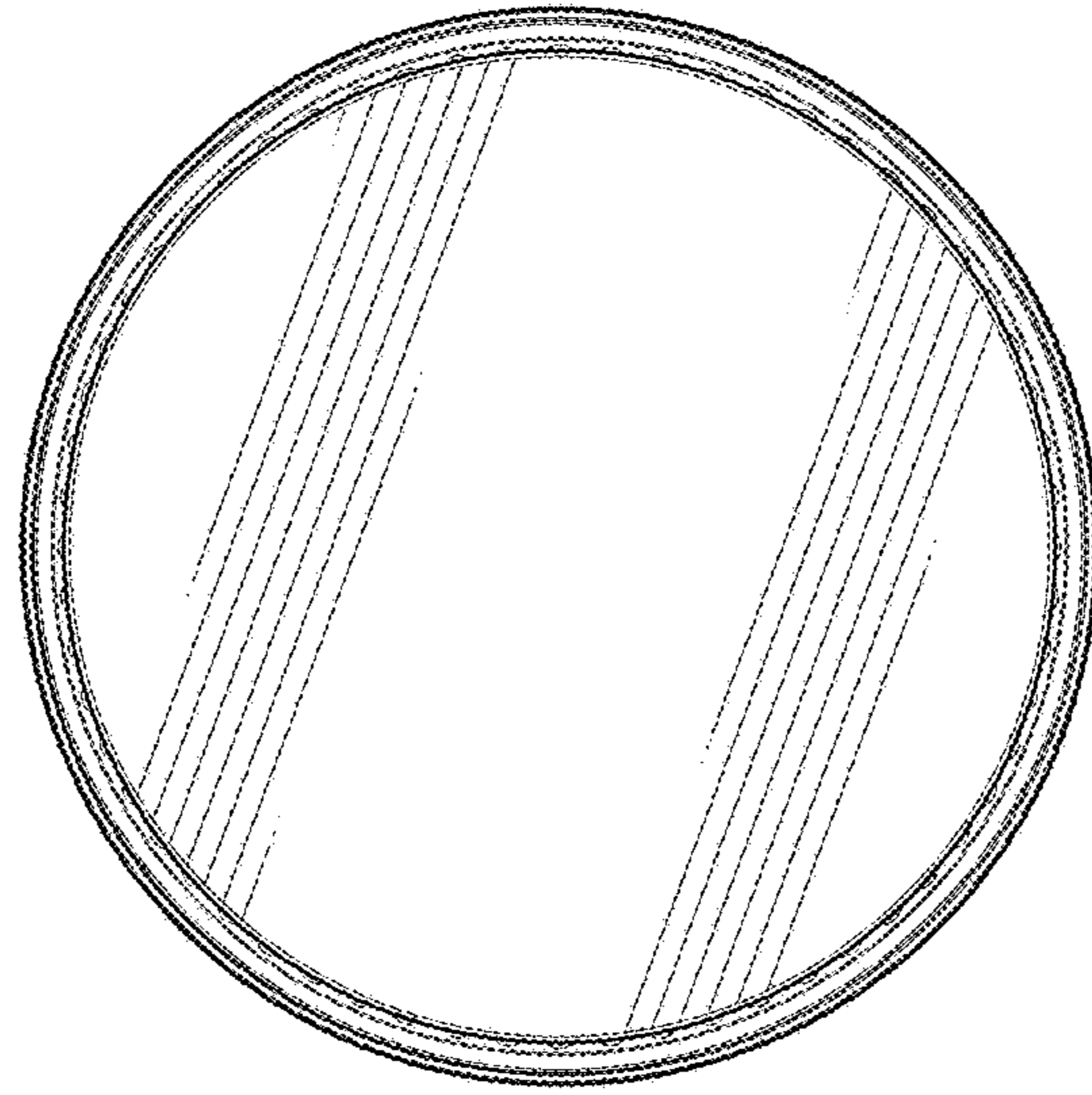


FIG. 7

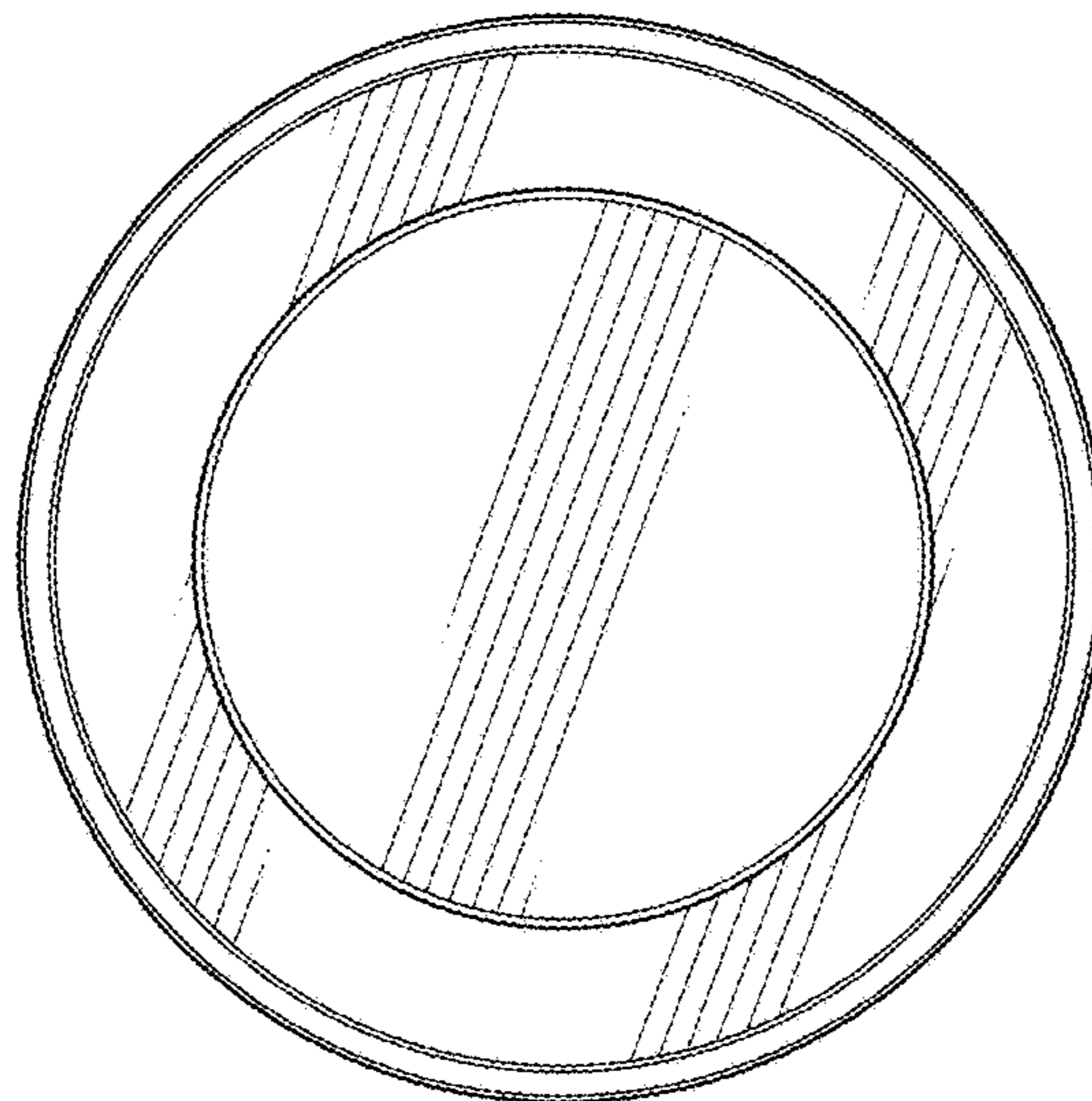


FIG. 8