



US00D832412S

(12) **United States Design Patent** (10) **Patent No.:** **US D832,412 S**  
**Nikles** (45) **Date of Patent:** **\*\* Oct. 30, 2018**

(54) **SHOWER HEAD HOLDER**  
(71) Applicant: **NIKLES TEC ITALIA S.R.L.**,  
Carpenedolo (IT)

D419,227 S \* 1/2000 Ben-Tsur ..... D23/304  
D489,798 S \* 5/2004 Hunt ..... D23/304  
D493,864 S \* 8/2004 Haug ..... D23/213  
D542,393 S \* 5/2007 Haug ..... D23/304  
D746,962 S \* 1/2016 Citterio ..... D23/304

(72) Inventor: **Gerhard Nikles**, Carpenedolo (IT)  
(73) Assignee: **NIKLES TEC ITALIA S.R.L.**,  
Carpendolo (BS) (IT)

**OTHER PUBLICATIONS**

(\*\*) Term: **15 Years**  
(21) Appl. No.: **35/503,624**

[Online] "Wall Bracket With Built-In Water Elbow" <http://www.nikles.com/en/products/accessories/wall-bracket-built-water-elbow>. Retrieved Jul. 20, 2018.\*  
[Online] "Lux Swivelling Wall Bracket" <http://www.nikles.com/en/products/accessories/lux-swivelling-wall-bracket>. Retrieved Jul. 20, 2018.\*  
[Online] "Bristan 25mm shower head holder" [https://www.showerspares.com/search/bristan\\_25mm\\_shower\\_head\\_holder\\_chrome\\_slid\\_06329c/](https://www.showerspares.com/search/bristan_25mm_shower_head_holder_chrome_slid_06329c/). Retrieved Jul. 20, 2018.\*

(22) Filed: **Jul. 11, 2017**

(80) **Hague Agreement Data**  
Int. Filing Date: **Jul. 11, 2017**  
Int. Reg. No.: **DM/097496**  
Int. Reg. Date: **Jul. 11, 2017**  
Int. Reg. Pub. Date: **Sep. 8, 2017**

\* cited by examiner

*Primary Examiner* — Melanie Pellegrini  
(74) *Attorney, Agent, or Firm* — Thomas | Horstemeyer, LLP

(30) **Foreign Application Priority Data**

(57) **CLAIM**

Jan. 13, 2017 (WO) ..... DM/094340

The ornamental design for a shower head holder, as shown and described.

(51) **LOC (11) Cl.** ..... **23-02**  
(52) **U.S. Cl.**  
USPC ..... **D23/304**  
(58) **Field of Classification Search**  
USPC ..... D23/213, 223, 228, 239, 249, 304, 283,  
D23/263; D8/394, 373, 380; D6/524  
CPC ..... E03C 1/06; E03C 1/066  
See application file for complete search history.

**DESCRIPTION**

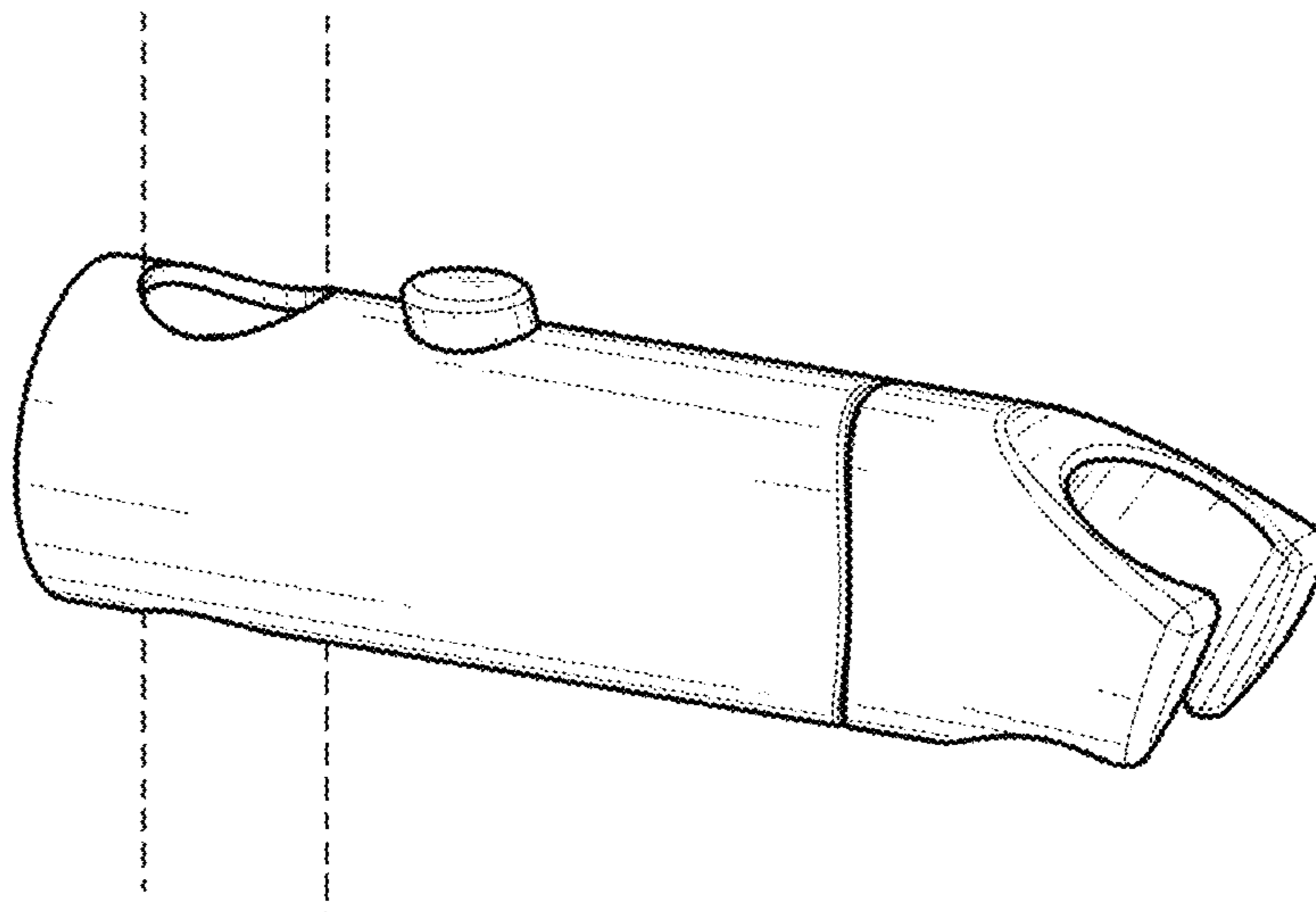
(56) **References Cited**

1. Shower head holder  
Fig. 1.1 left side perspective  
Fig. 1.2 left side elevational  
Fig. 1.3 front elevational  
Fig. 1.4 top plan  
Fig. 1.5 left side perspective shown in an alternate position  
Fig. 1.6 left side elevational shown in an alternate position  
Fig. 1.7 front elevational shown in an alternate position  
Fig. 1.8 top plan shown in an alternate position  
The broken lines shown in the drawings illustrate environment and form no part of the claimed design.

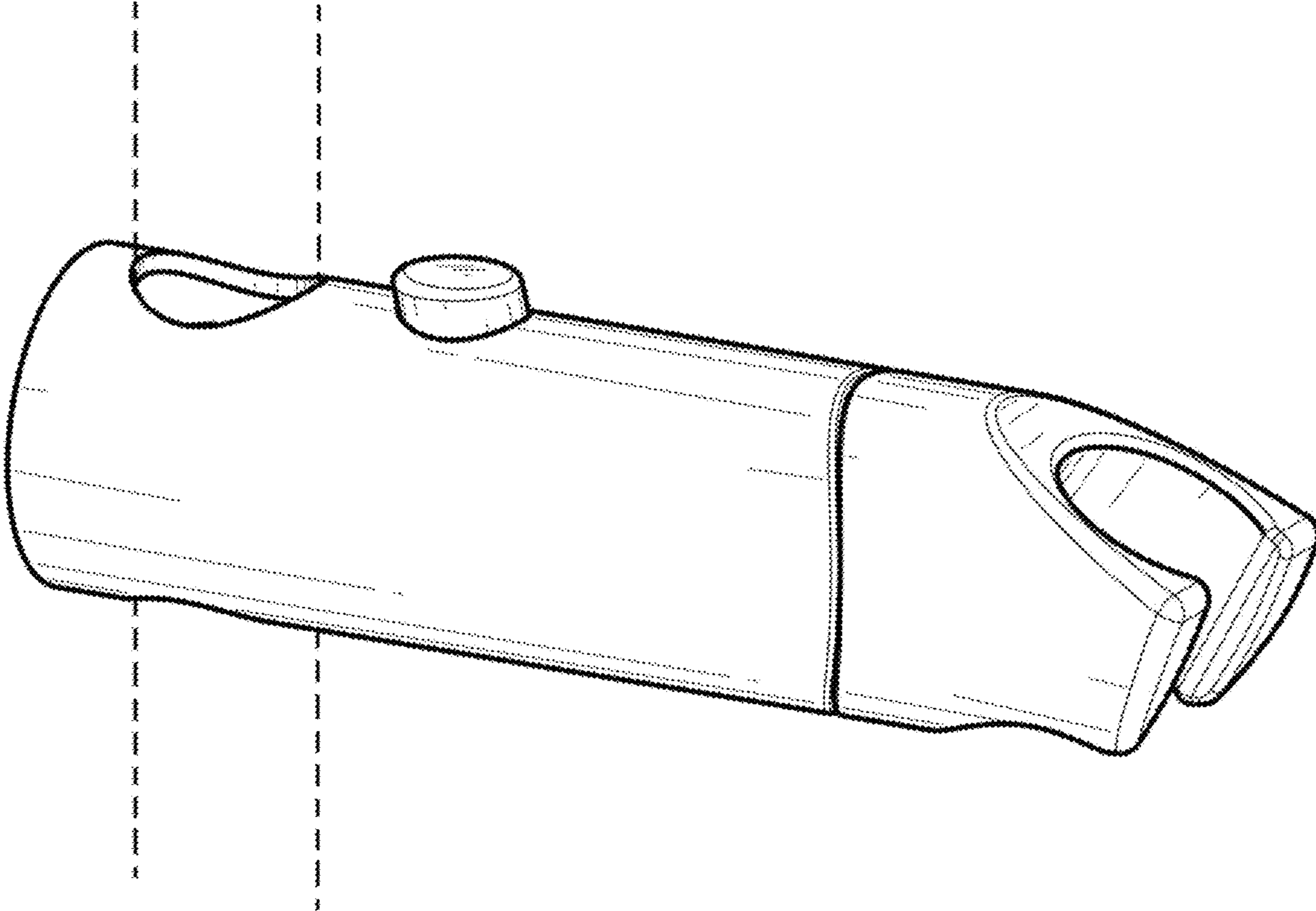
**U.S. PATENT DOCUMENTS**

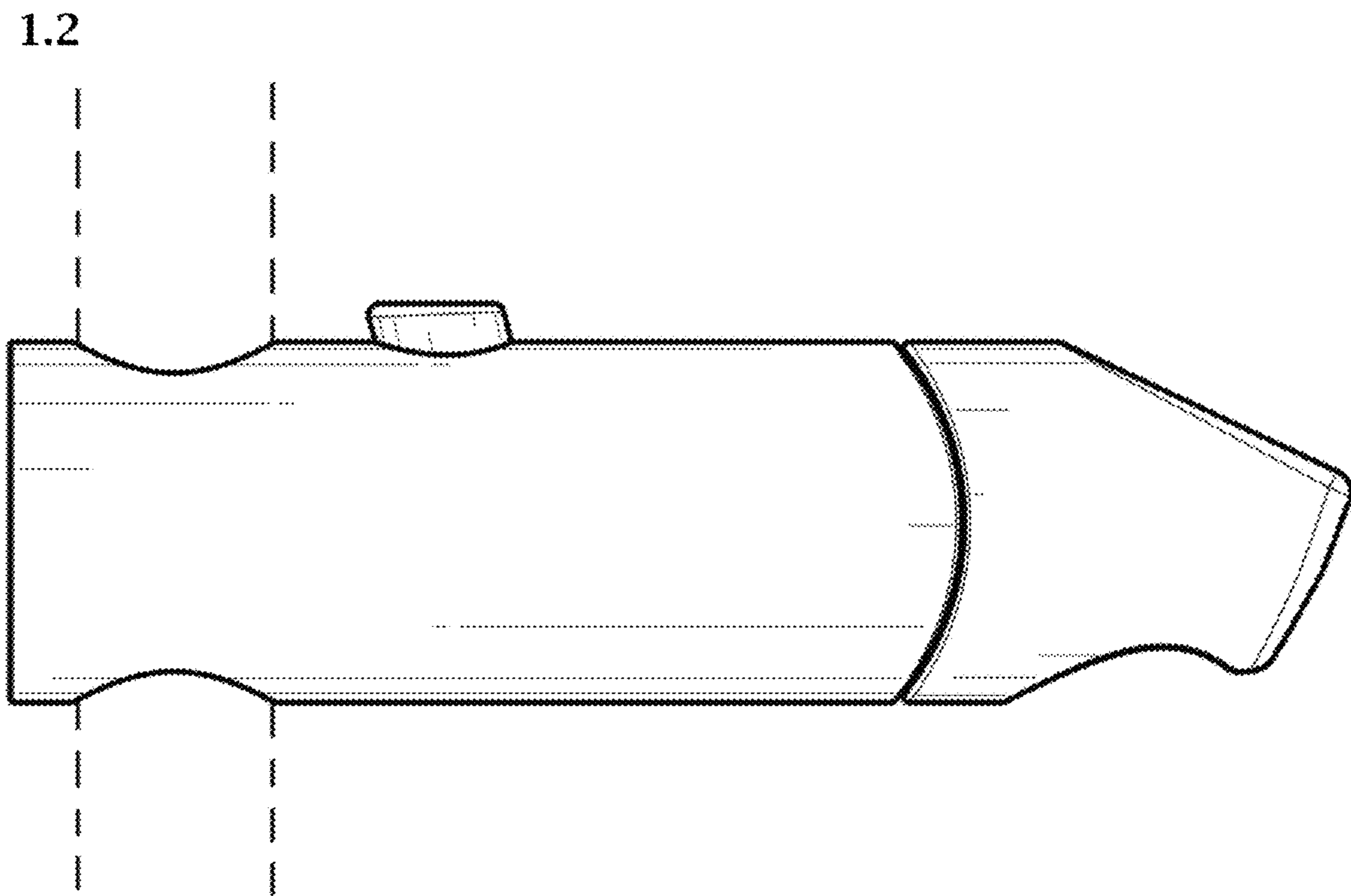
D341,007 S \* 11/1993 Haug ..... D23/223  
D341,191 S \* 11/1993 Klose ..... D23/223  
D403,754 S \* 1/1999 Gottwald ..... D23/304

**1 Claim, 8 Drawing Sheets**

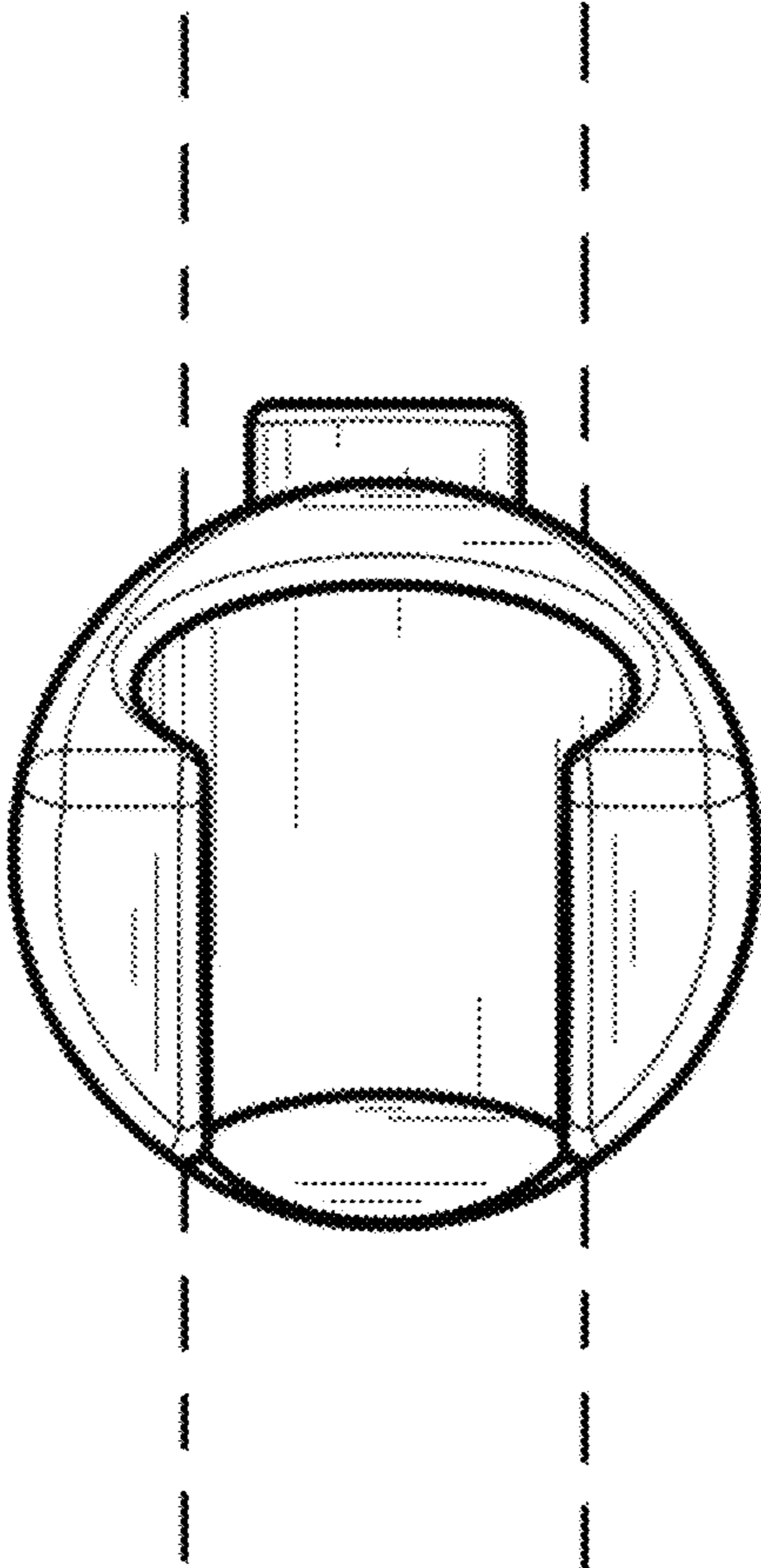


1.1

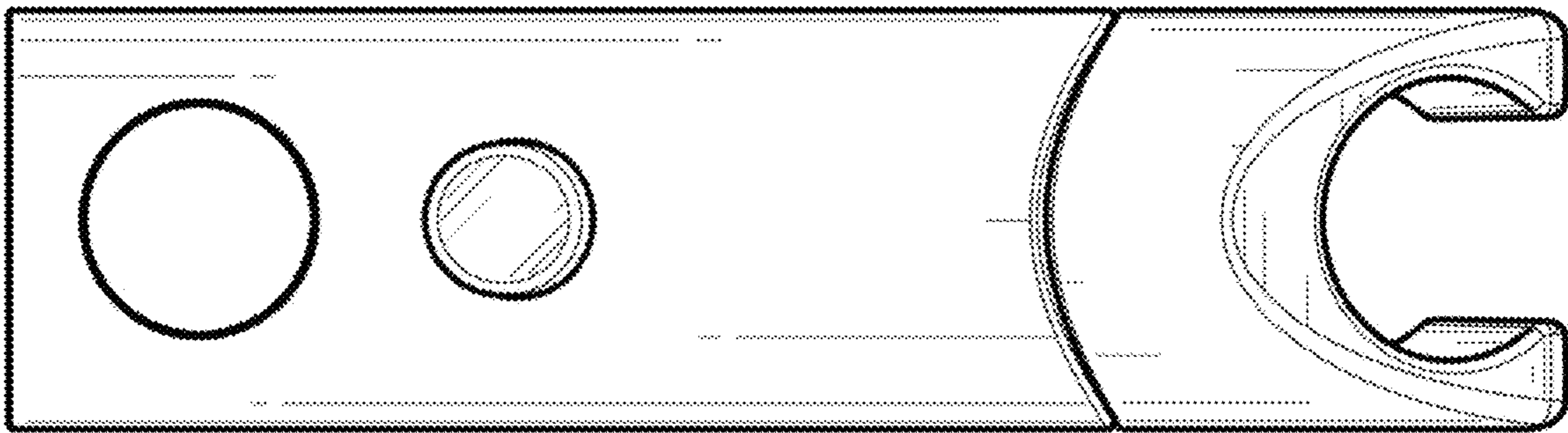




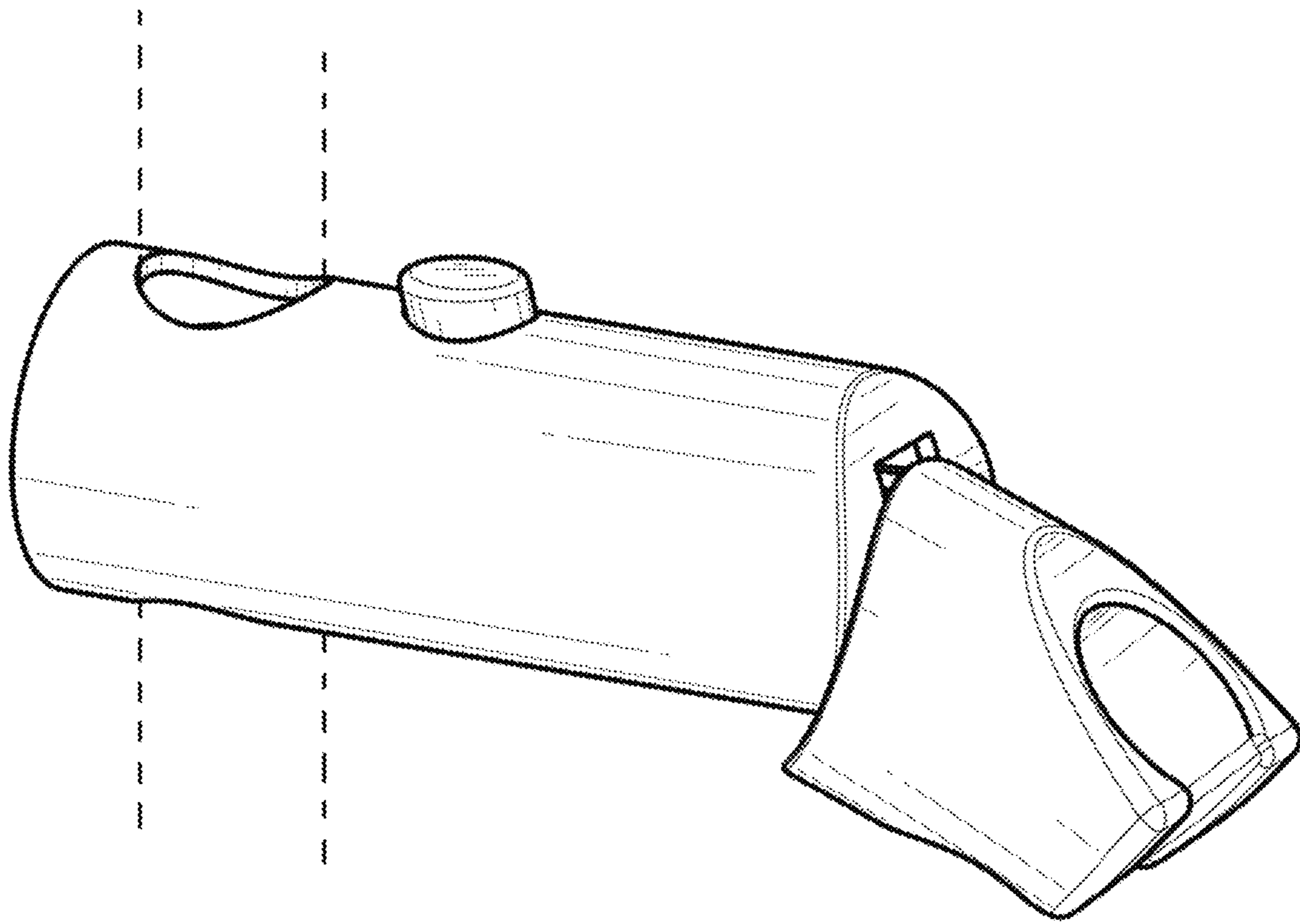
1.3



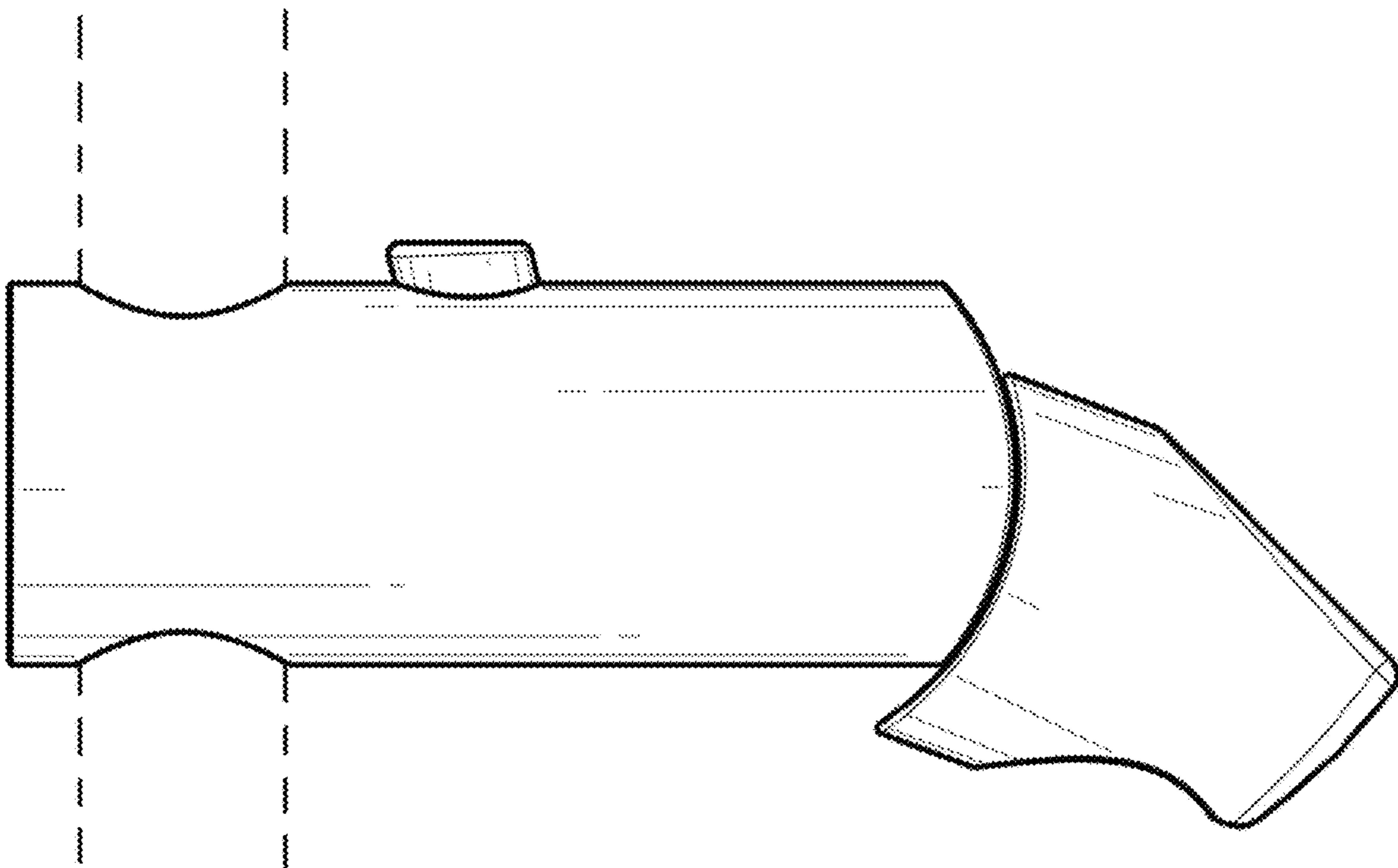
1.4



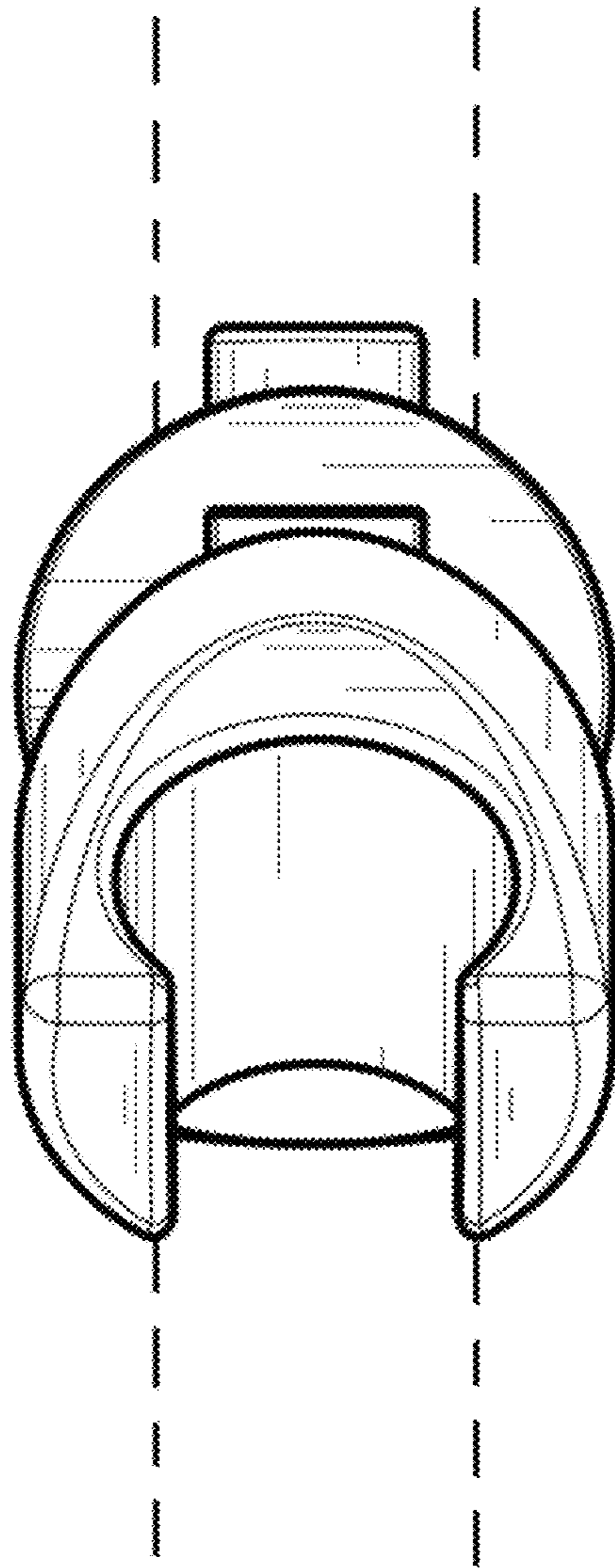
1.5



1.6



1.7





1.8

