



US00D832411S

(12) **United States Design Patent**
Key

(10) **Patent No.:** **US D832,411 S**
(45) **Date of Patent:** **** Oct. 30, 2018**

- (54) **TOILET SEAT FOR CHILDREN**
- (71) Applicant: **Beverly Key**, Fort Lauderdale, FL (US)
- (72) Inventor: **Beverly Key**, Fort Lauderdale, FL (US)
- (**) Term: **15 Years**
- (21) Appl. No.: **29/578,988**
- (22) Filed: **Sep. 27, 2016**

D411,290 S *	6/1999	Bergkvist	D23/296
D447,548 S *	9/2001	Schneider	D23/311
D489,438 S *	5/2004	Hunt	D23/311
D583,032 S *	12/2008	Lovatt	D23/296
7,631,370 B2 *	12/2009	Dunn	A47K 13/06 4/237
D712,524 S *	9/2014	O'Grady	D23/296
D724,711 S *	3/2015	Capraro	D23/296
D734,442 S *	7/2015	Greco	D23/311
D738,475 S *	9/2015	Cohen	D23/296
D771,227 S *	11/2016	Yeung	D23/311

* cited by examiner

Related U.S. Application Data

- (63) Continuation-in-part of application No. 13/409,187, filed on Mar. 1, 2012.
- (51) **LOC (11) Cl.** **23-02**
- (52) **U.S. Cl.**
USPC **D23/296**
- (58) **Field of Classification Search**
USPC D23/295-303, 307, 309, 310, 311, 313;
D6/349, 354, 356, 601, 611, 716.4, 716.5;
D21/414, 415; D24/200
CPC A47K 11/00; A47K 13/00; Y10S 4/05;
A47G 9/10
See application file for complete search history.

Primary Examiner — Brandon M Rosati
Assistant Examiner — John A Voytek

(57) **CLAIM**

The ornamental design for a toilet seat for children, as shown and described.

DESCRIPTION

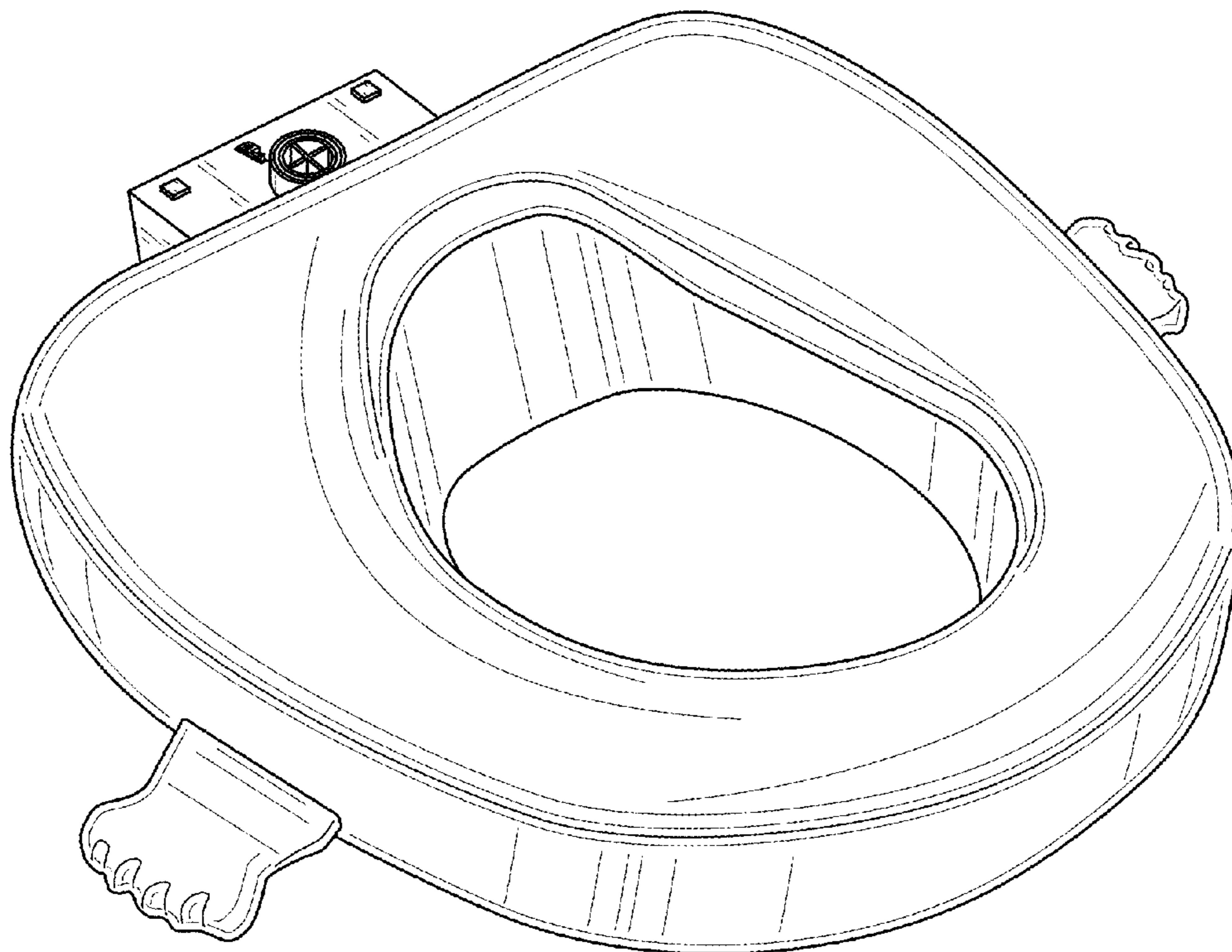
FIG. 1 is a perspective view of the present invention, showing the new design for the toilet seat for children; FIG. 2 is a front elevational view thereof; FIG. 3 is a rear elevational view thereof; FIG. 4 is a left side elevational view thereof; FIG. 5 is a right side elevational view thereof; FIG. 6 is a bottom plan view thereof; and, FIG. 7 is a top plan view thereof.

(56) **References Cited**

U.S. PATENT DOCUMENTS

D290,035 S *	5/1987	Mann	D23/311
D345,414 S *	3/1994	Douglas	D23/296

1 Claim, 7 Drawing Sheets



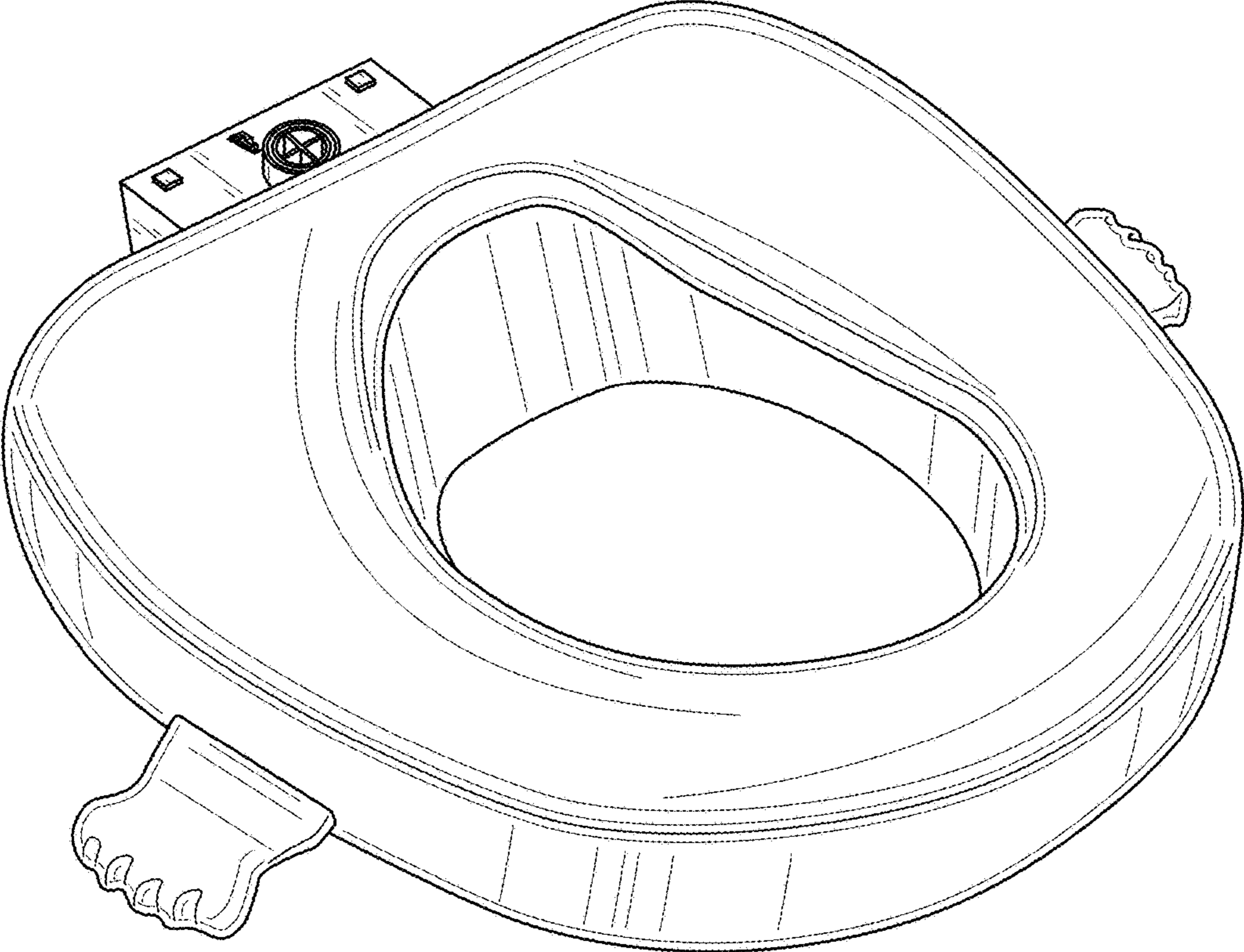


FIG. 1

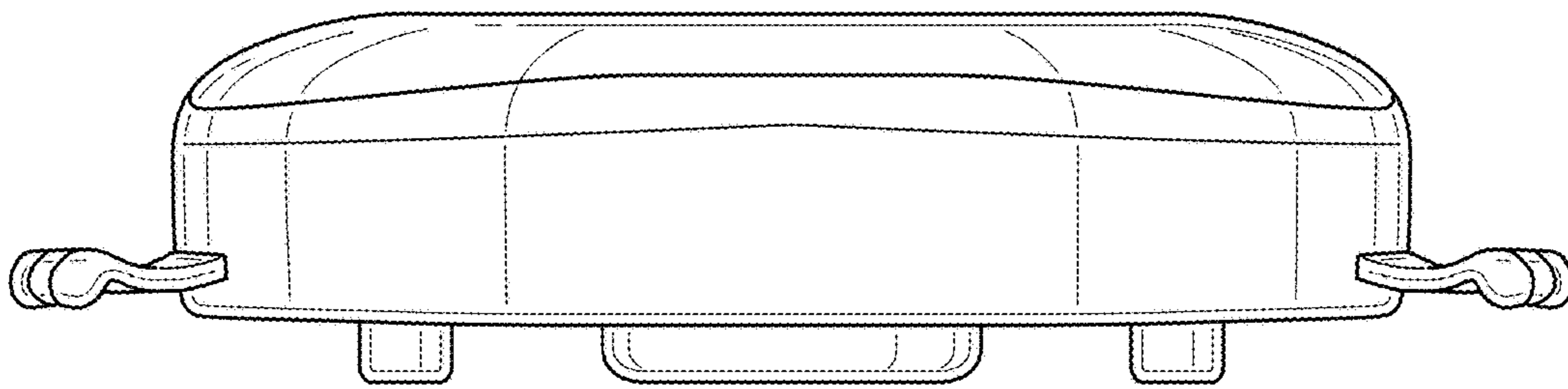


FIG. 2

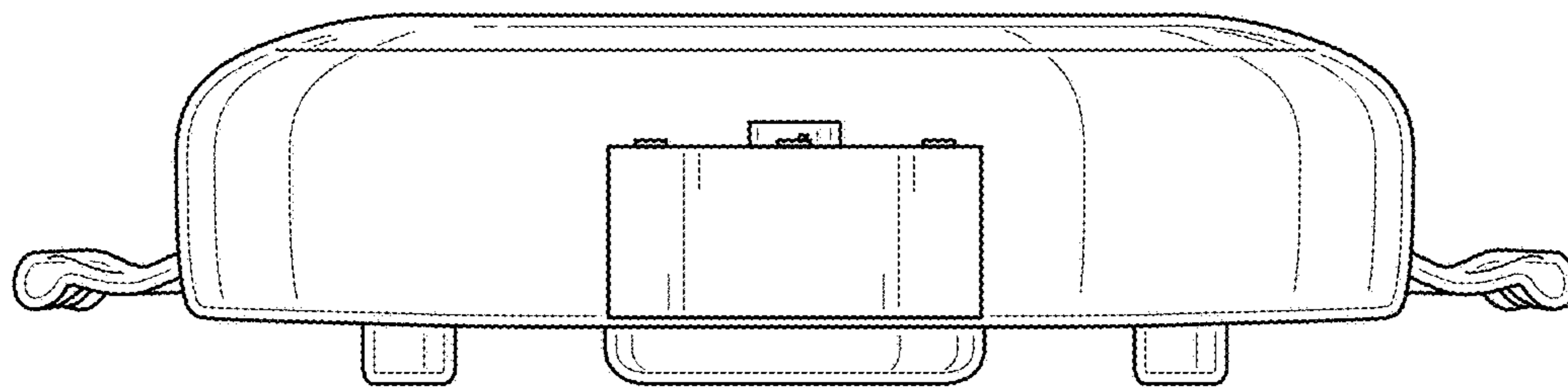


FIG. 3

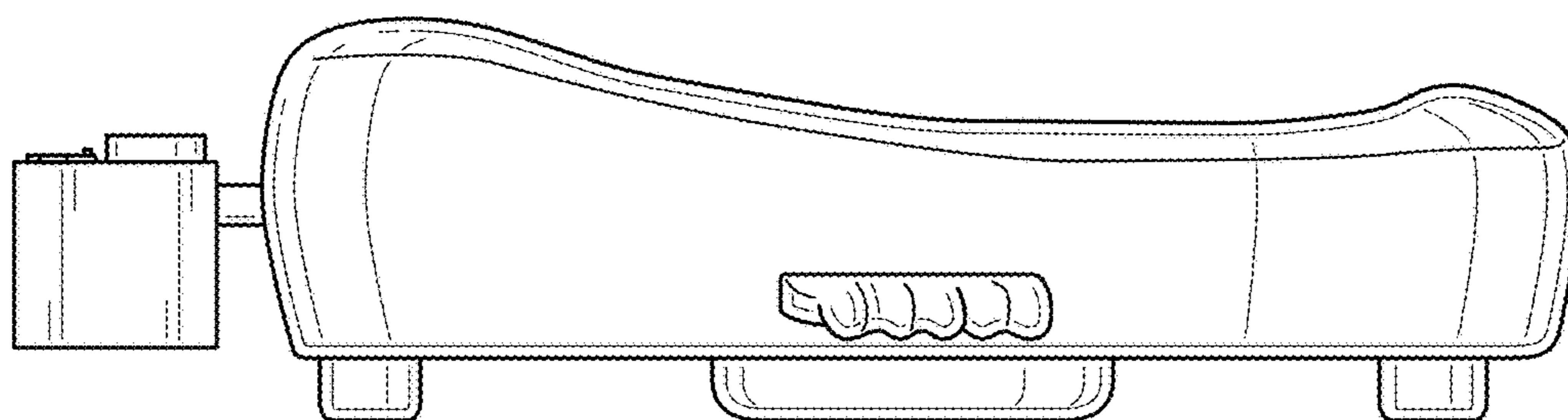


FIG. 4

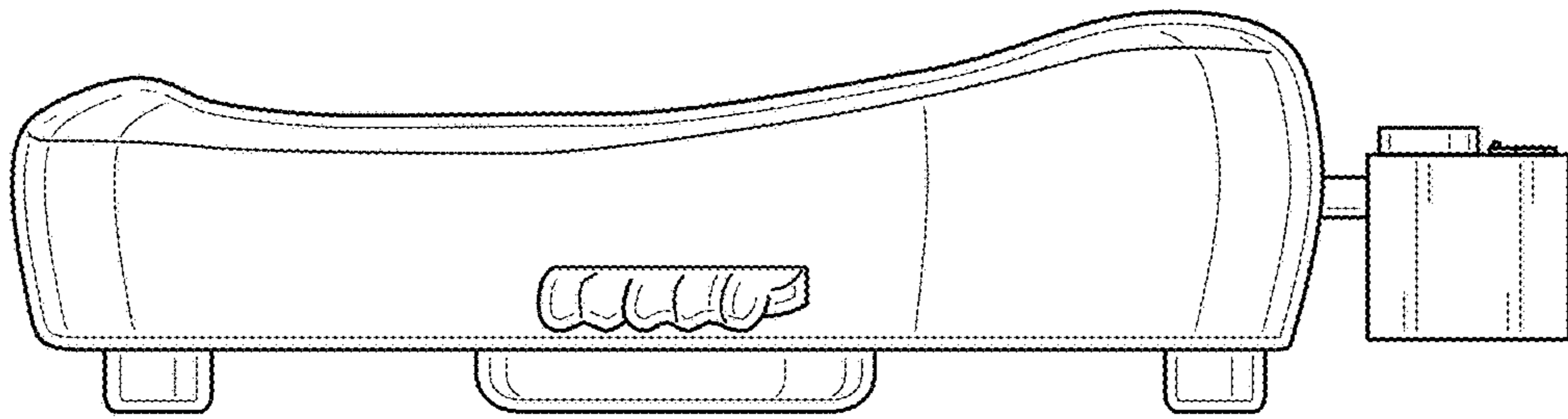


FIG. 5

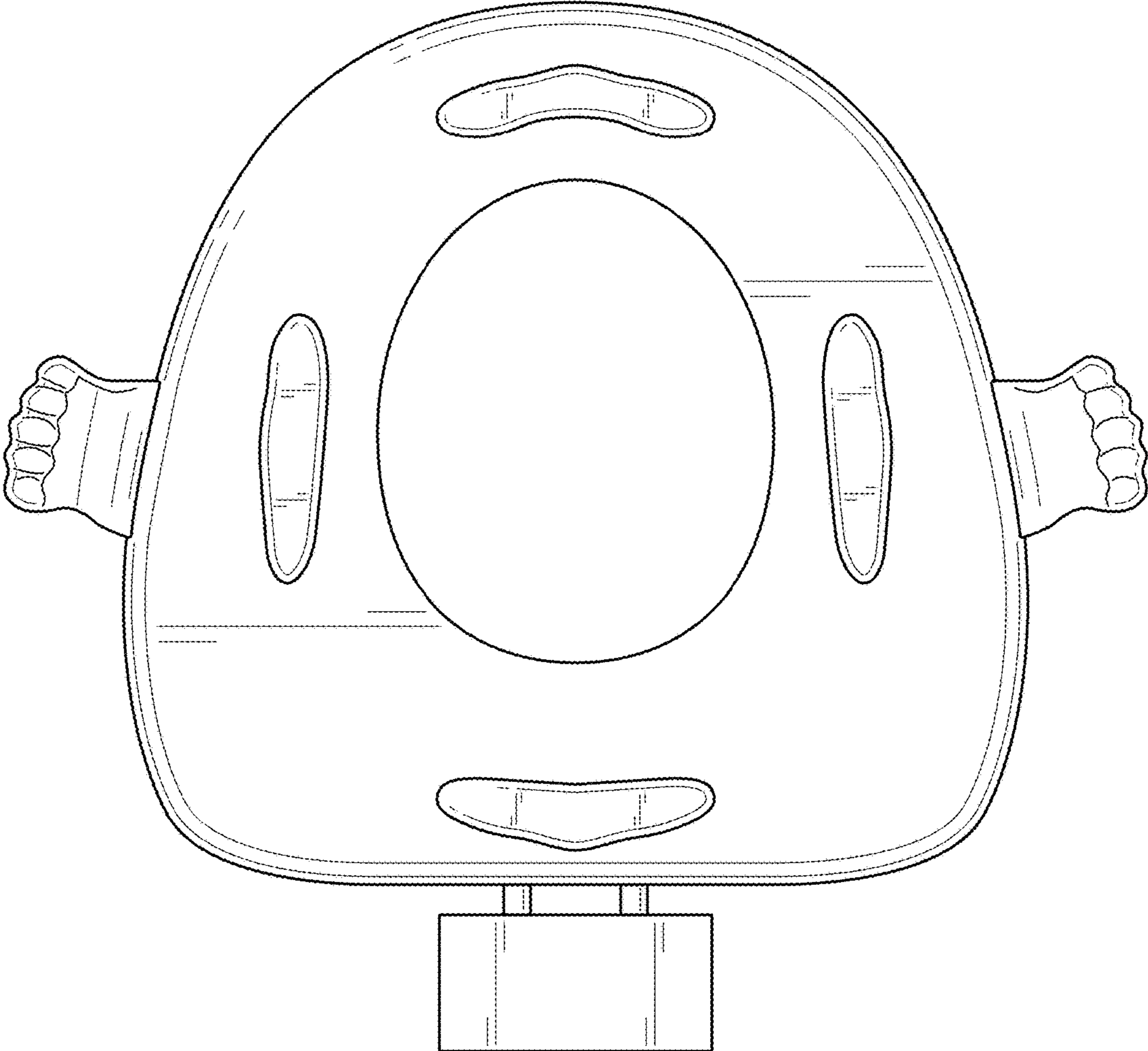


FIG. 6

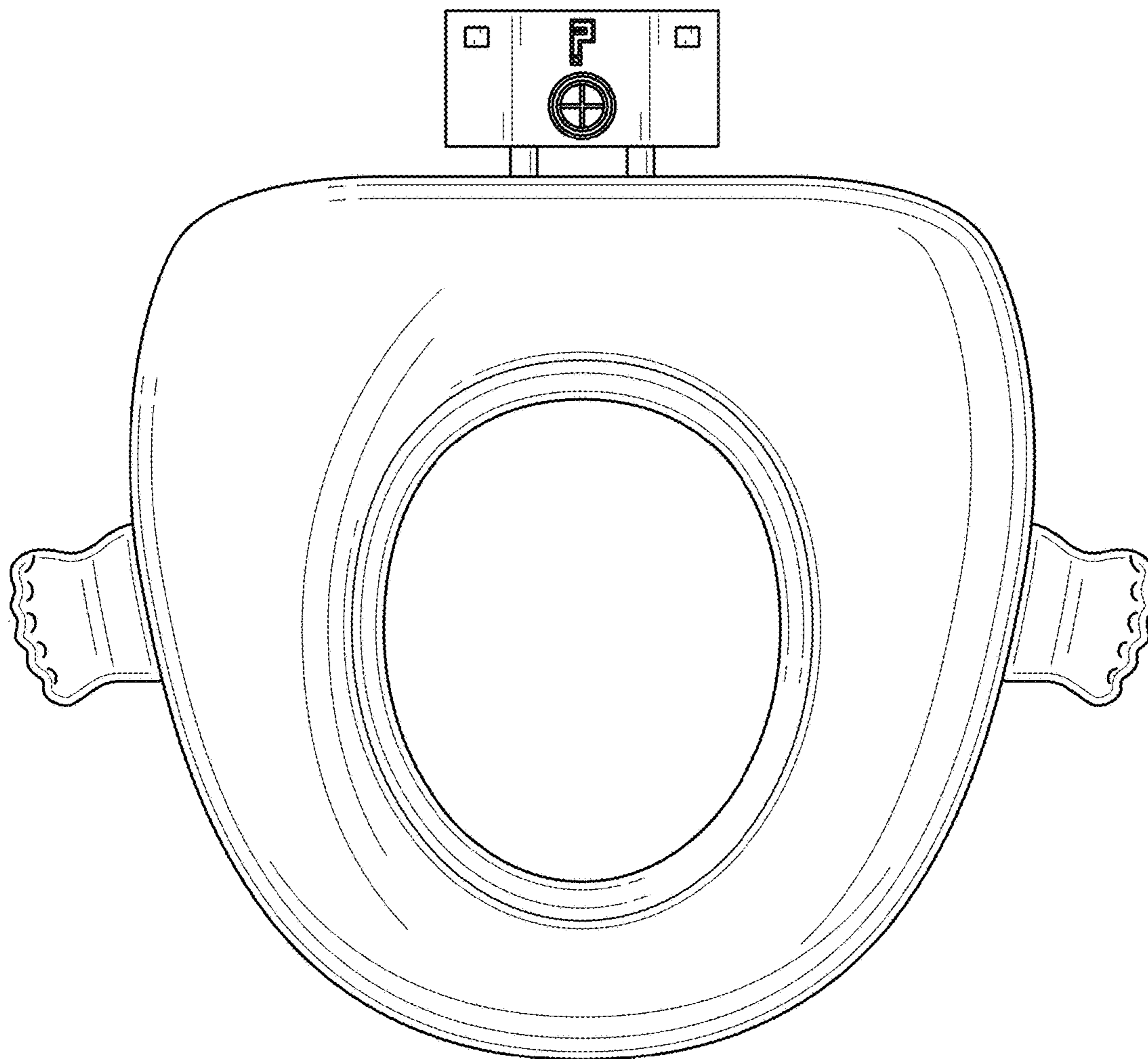


FIG. 7