



US00D832410S

(12) **United States Design Patent** (10) **Patent No.:** **US D832,410 S**  
**Corpuz** (45) **Date of Patent:** **\*\* Oct. 30, 2018**

(54) **SINK**  
(71) Applicant: **Kohler Co.**, Kohler, WI (US)  
(72) Inventor: **Roque Corpuz**, Sheboygan, WI (US)  
(73) Assignee: **KOHLER CO.**, Kohler, WI (US)  
(\*\*) Term: **15 Years**

D588,247 S \* 3/2009 Hanna ..... D23/293.1  
D594,097 S \* 6/2009 Toyohara ..... D23/293.1  
D601,677 S 10/2009 Hanna et al.  
D605,502 S \* 12/2009 Honda ..... D9/429  
D611,769 S \* 3/2010 Hauser ..... D7/584  
D626,790 S \* 11/2010 Gibson ..... D7/325  
D628,443 S \* 12/2010 McTaggart ..... D7/545  
(Continued)

(21) Appl. No.: **29/597,268**  
(22) Filed: **Mar. 15, 2017**  
(51) **LOC (11) Cl.** ..... **23-02**  
(52) **U.S. Cl.**  
USPC ..... **D23/293.1**  
(58) **Field of Classification Search**  
USPC ..... D23/284–293.1, 303, 308, 364; D6/329,  
D6/573, 657, 663–666, 671, 671.1, 671.4;  
D7/505, 524.2, 548, 562, 584, 586, 587,  
D7/667  
CPC ..... A47K 1/04; A47J 47/20; A47B 77/06  
See application file for complete search history.

**OTHER PUBLICATIONS**

Premier Copper Products Round Copper Bathroom sink reference (Ref. Oct. 30, 2013) found online [Feb. 13, 2018]—[https://www.overstock.com/Home-Garden/Handmade-16-inch-Round-Bathroom-Copper-Sink-with-Curved-Decorative-Rim/8033886/product.html?refccid=PCRJUHF2CSIIWXXKIPSU4MJWHOI&searchidx=0&kwds=&rfmt=sink%20style%3ADrop-in.\\*](https://www.overstock.com/Home-Garden/Handmade-16-inch-Round-Bathroom-Copper-Sink-with-Curved-Decorative-Rim/8033886/product.html?refccid=PCRJUHF2CSIIWXXKIPSU4MJWHOI&searchidx=0&kwds=&rfmt=sink%20style%3ADrop-in.*)

*Primary Examiner* — Brandon M Rosati  
*Assistant Examiner* — John A Voytek  
(74) *Attorney, Agent, or Firm* — Foley & Lardner LLP

(57) **CLAIM**

I claim the ornamental design for a sink, as shown and described.

(56) **References Cited**

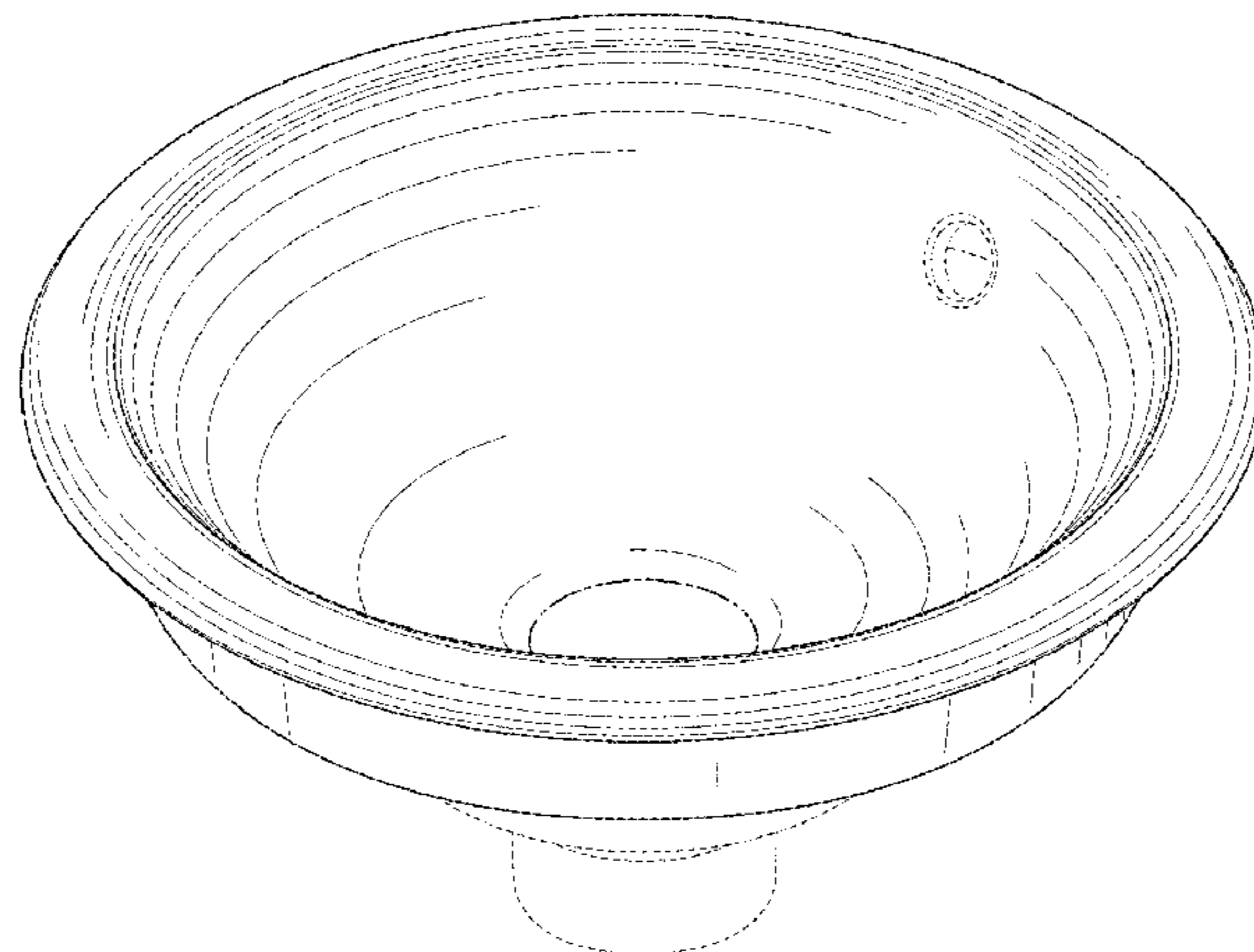
**U.S. PATENT DOCUMENTS**

D136,049 S \* 7/1943 Whipple ..... D7/558  
D234,180 S \* 1/1975 Dart et al. .... D7/584  
D286,249 S \* 10/1986 Carlson ..... D7/587  
D394,188 S \* 5/1998 Reynaert ..... D7/584  
D394,513 S \* 5/1998 Davis ..... D26/6  
D398,967 S \* 9/1998 Kohler, Jr. .... D23/284  
D423,653 S \* 4/2000 Svendsen ..... D23/293.1  
D430,274 S \* 8/2000 Marshall ..... D23/284  
6,431,389 B1 \* 8/2002 Jerstroem ..... A47J 36/02  
220/574  
D488,853 S \* 4/2004 Jones ..... D23/293.1  
D507,042 S \* 7/2005 Sutopo ..... D23/293.1  
D517,178 S \* 3/2006 Bickford ..... D23/293.1  
D521,129 S \* 5/2006 Bickford ..... D23/293.1  
D560,776 S 1/2008 Hanna  
D563,534 S \* 3/2008 Kergoet ..... D23/293.1  
D565,356 S \* 4/2008 Mellen ..... D7/376  
D565,907 S \* 4/2008 de Groote ..... D7/584

**DESCRIPTION**

FIG. 1 is a top, front, right perspective view of an embodiment of the claimed design;  
FIG. 2 is a front elevation view thereof;  
FIG. 3 is a rear elevation view thereof;  
FIG. 4 is a right side elevation view thereof;  
FIG. 5 is a left side elevation view thereof;  
FIG. 6 is a top plan view thereof;  
FIG. 7 is a bottom plan view thereof; and,  
FIG. 8 is a cross-sectional view thereof taken across line 8-8 of FIG. 6.  
Broken lines formed by equal length dashes depict environmental subject matter only and form no part of the claimed design. The dash-dot broken lines define bounds of the claimed design and form no part of the claimed design.

**1 Claim, 6 Drawing Sheets**



(56)

**References Cited**

U.S. PATENT DOCUMENTS

|              |    |   |         |                 |       |             |
|--------------|----|---|---------|-----------------|-------|-------------|
| D651,865     | S  | * | 1/2012  | Smyers          | ..... | D7/584      |
| D651,866     | S  | * | 1/2012  | Smyers          | ..... | D7/584      |
| D701,088     | S  | * | 3/2014  | Hone            | ..... | D7/505      |
| D723,142     | S  | * | 2/2015  | Casey           | ..... | D23/293.1   |
| D757,235     | S  |   | 8/2016  | Stauffer et al. |       |             |
| D771,781     | S  | * | 11/2016 | Stauffer        | ..... | D23/308     |
| 9,631,349    | B2 | * | 4/2017  | Petner          | ..... | E03C 1/308  |
| D787,274     | S  | * | 5/2017  | Gagnon          | ..... | D7/586      |
| D809,720     | S  | * | 2/2018  | Salas           | ..... | D32/14      |
| 2008/0250588 | A1 | * | 10/2008 | Robinson        | ..... | A46B 5/0095 |
|              |    |   |         |                 |       | 15/104.05   |
| 2016/0017583 | A1 | * | 1/2016  | Petner          | ..... | E03C 1/308  |
|              |    |   |         |                 |       | 4/255.11    |

\* cited by examiner

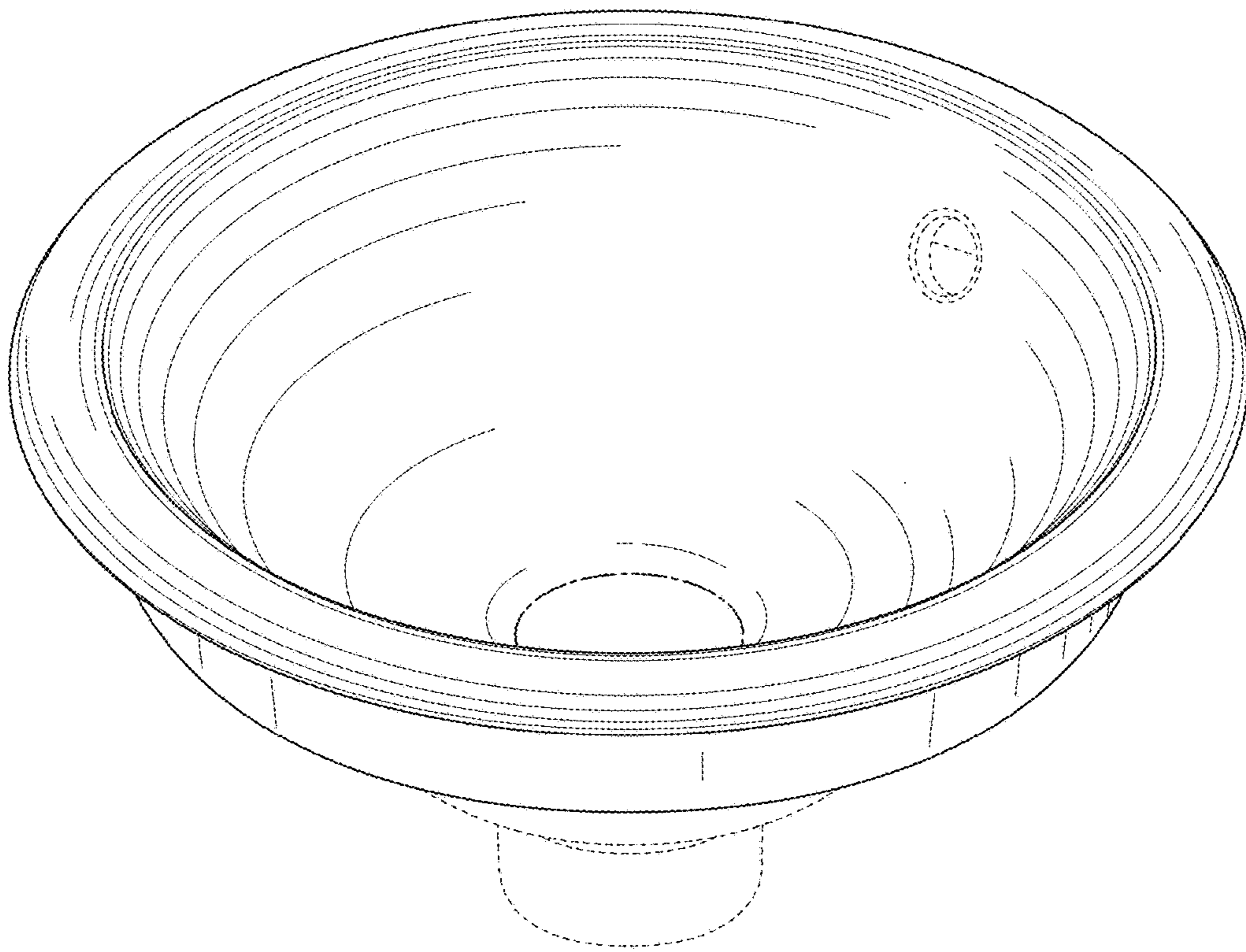
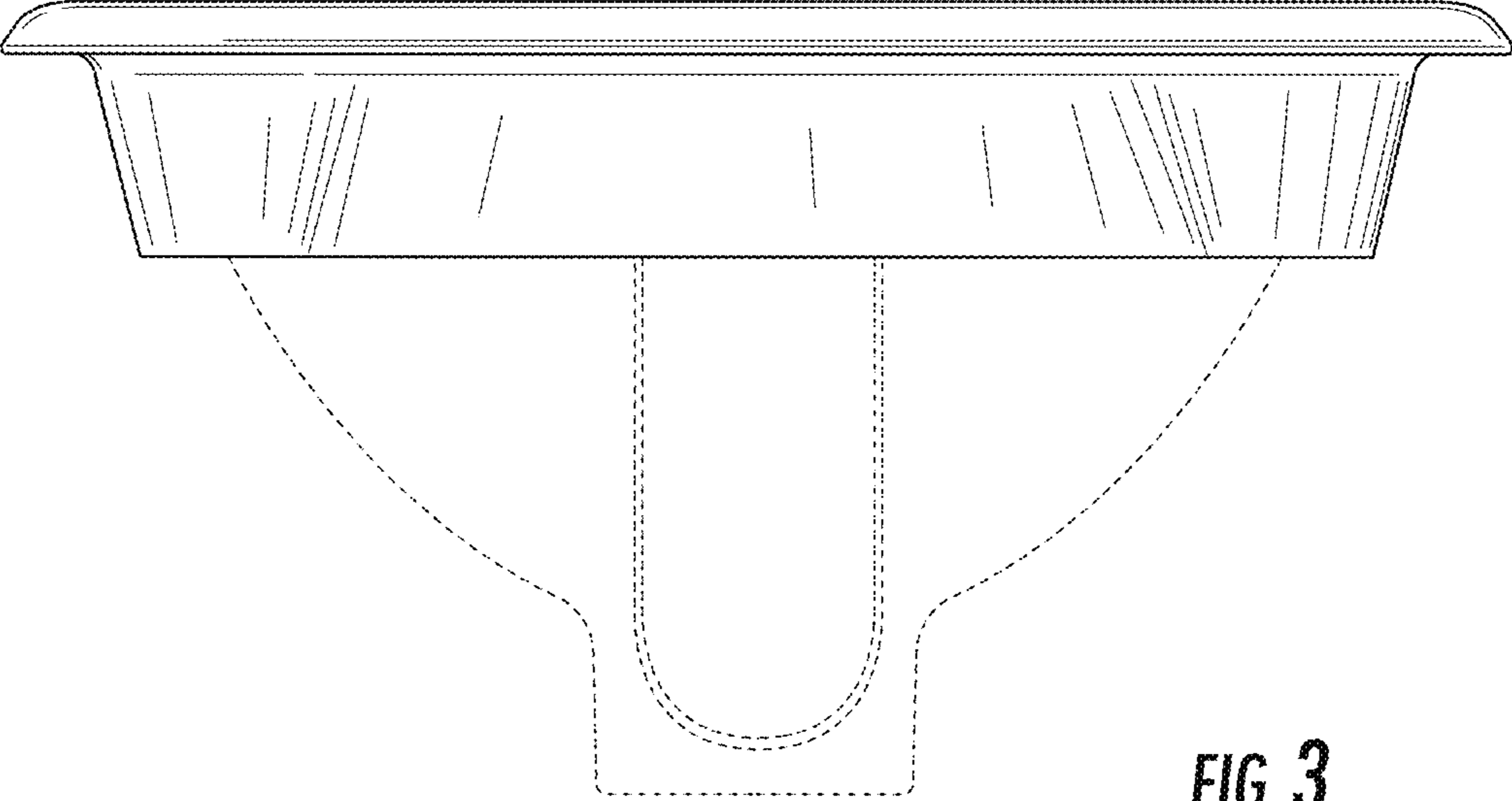
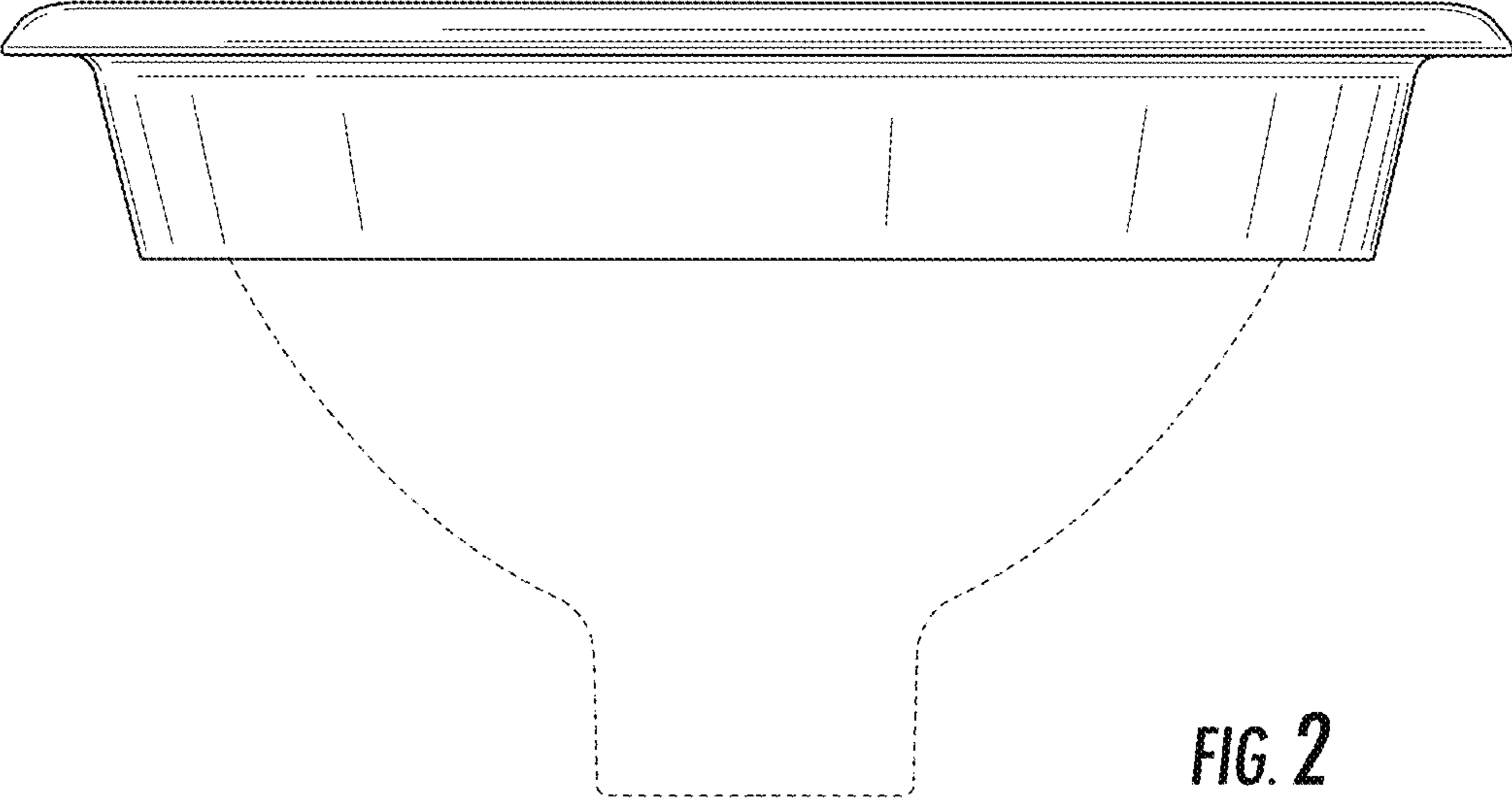


FIG. 1



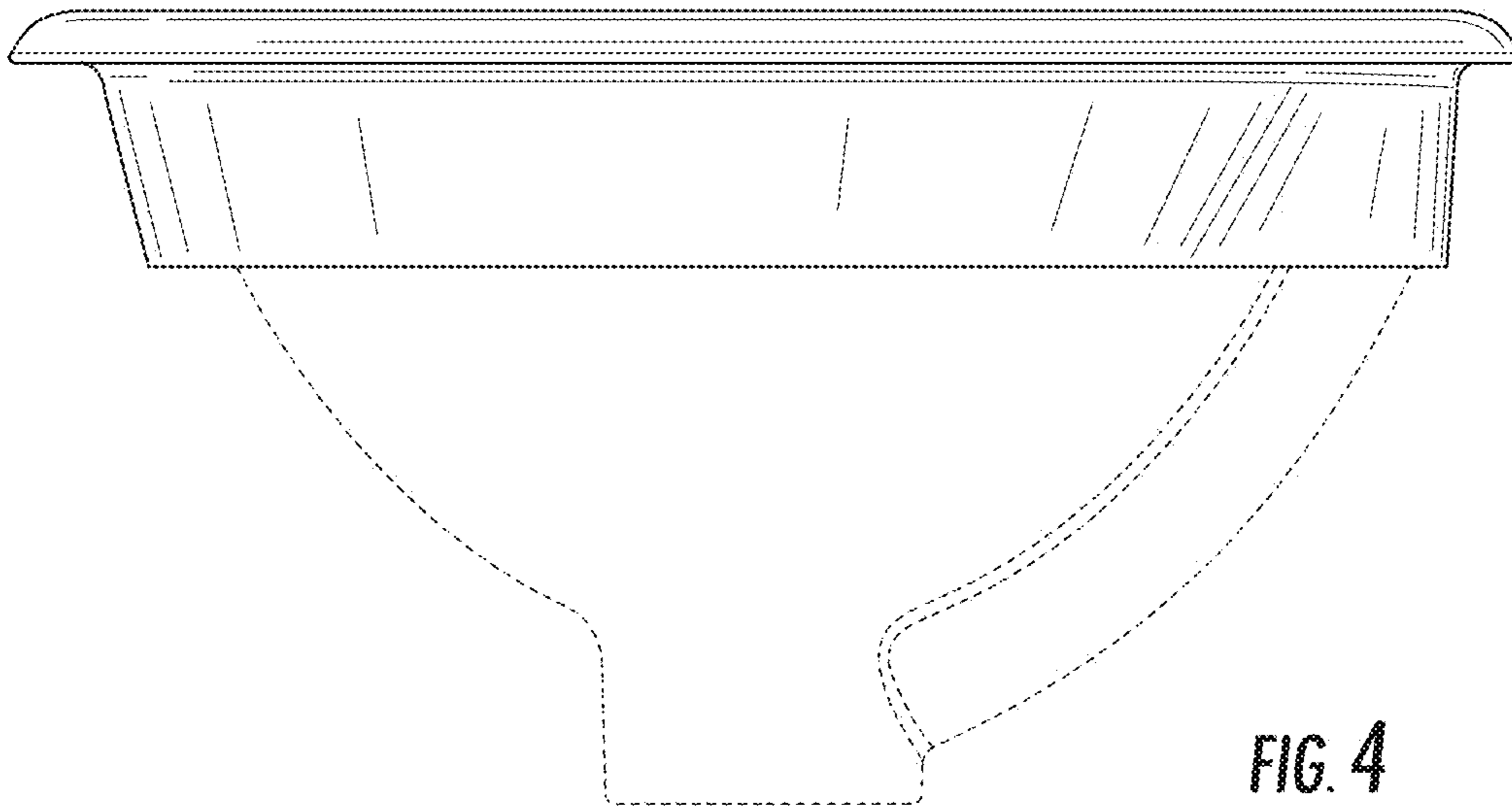


FIG. 4

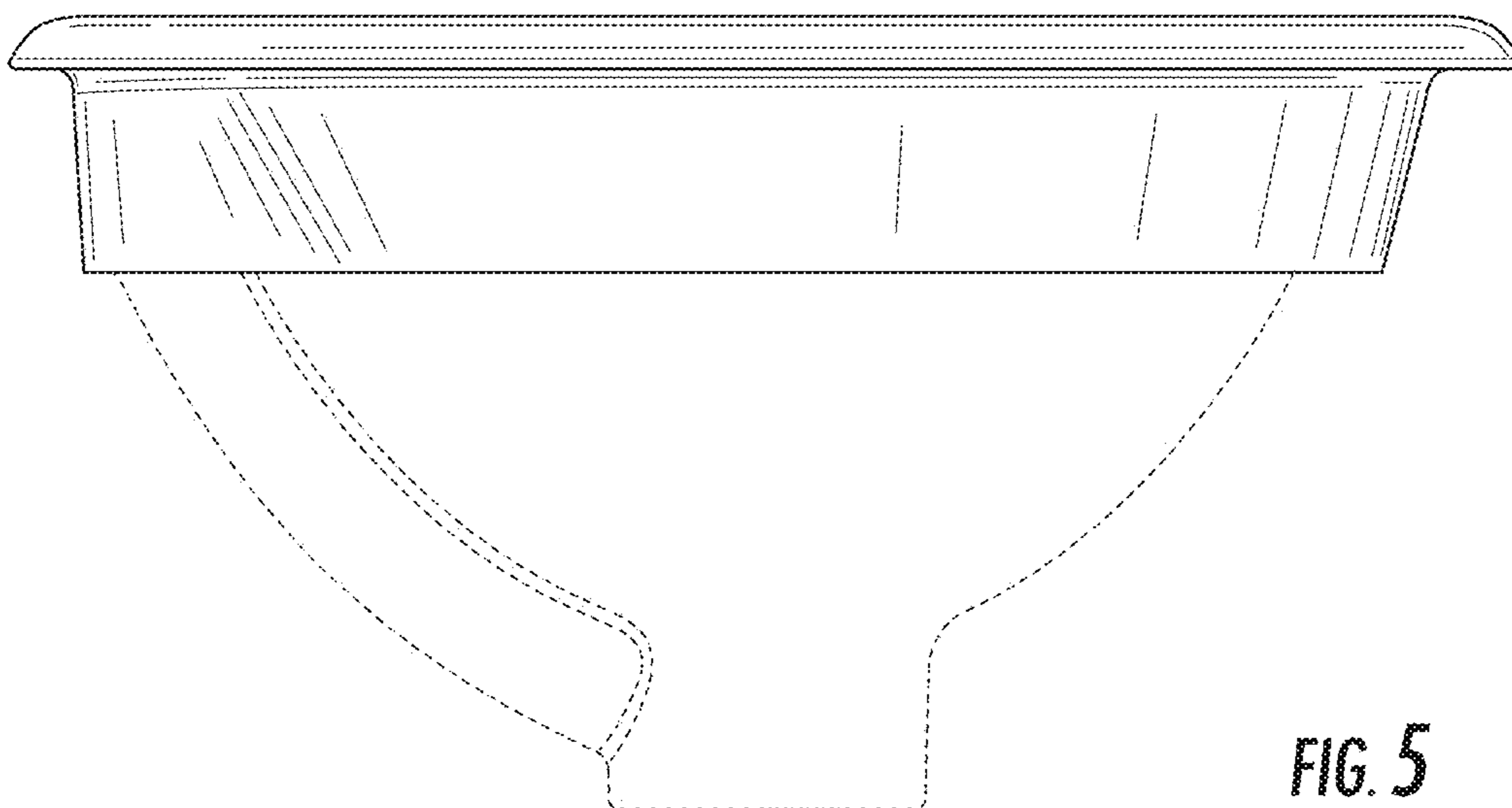


FIG. 5

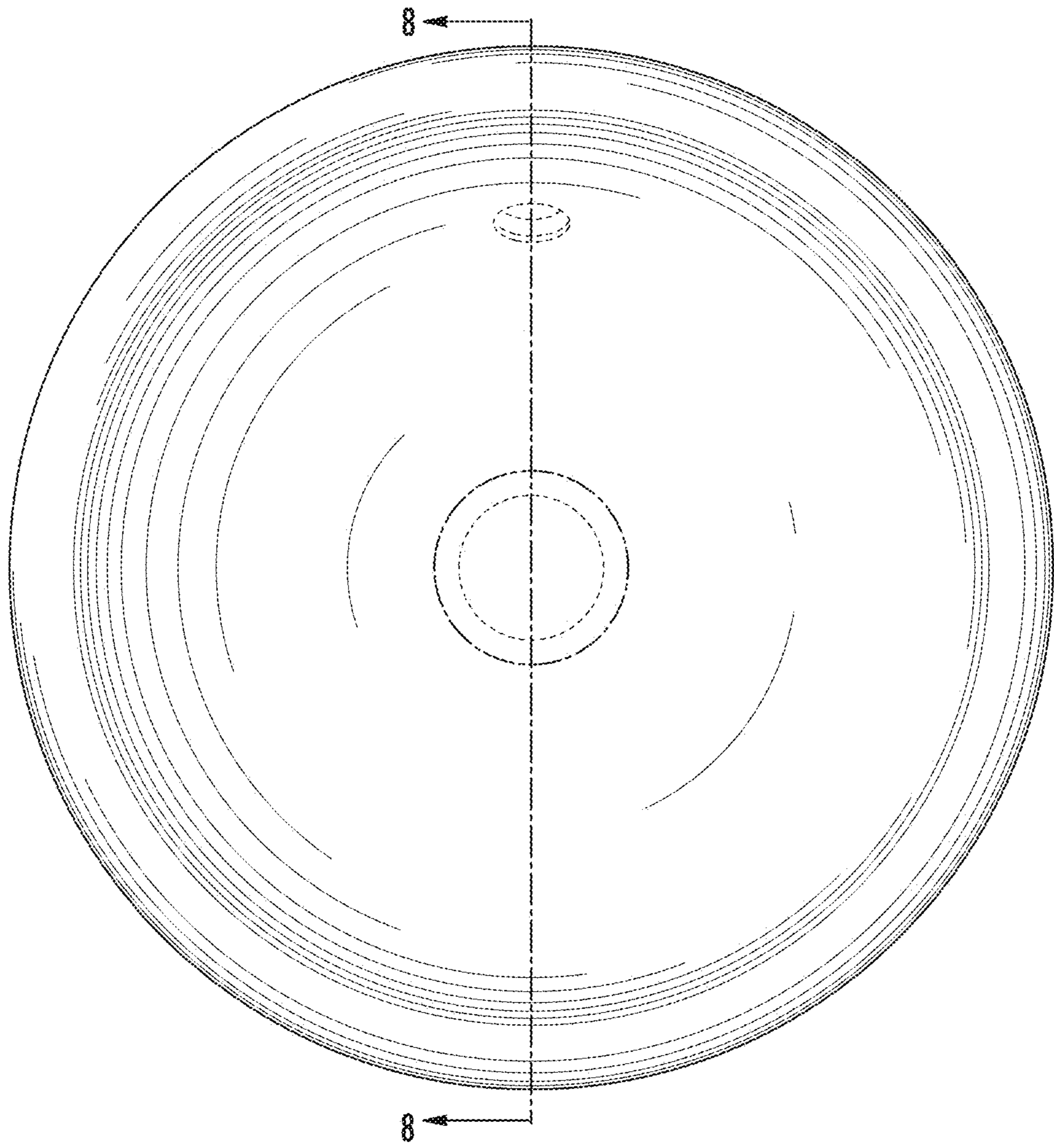


FIG. 6

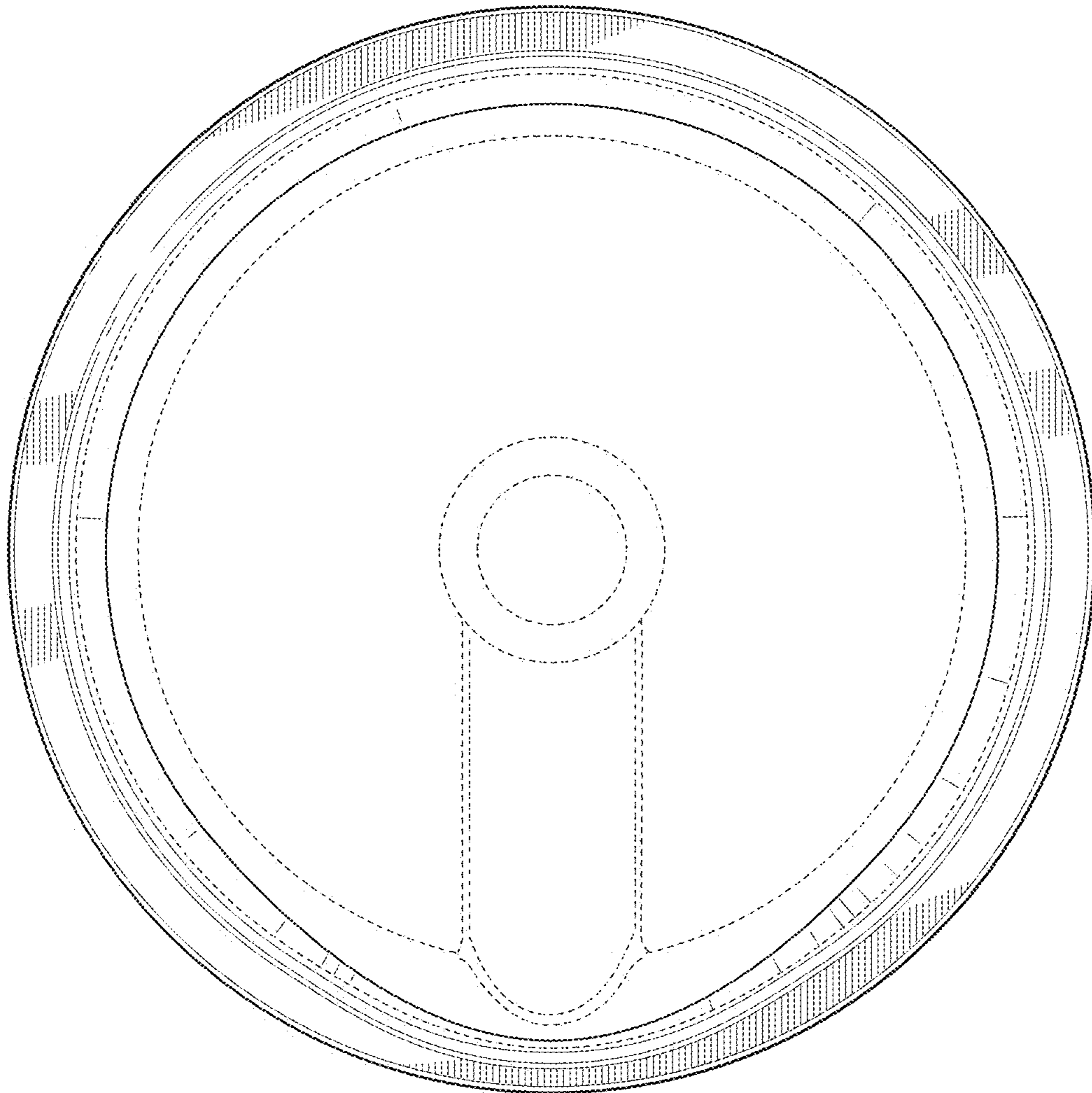


FIG. 7

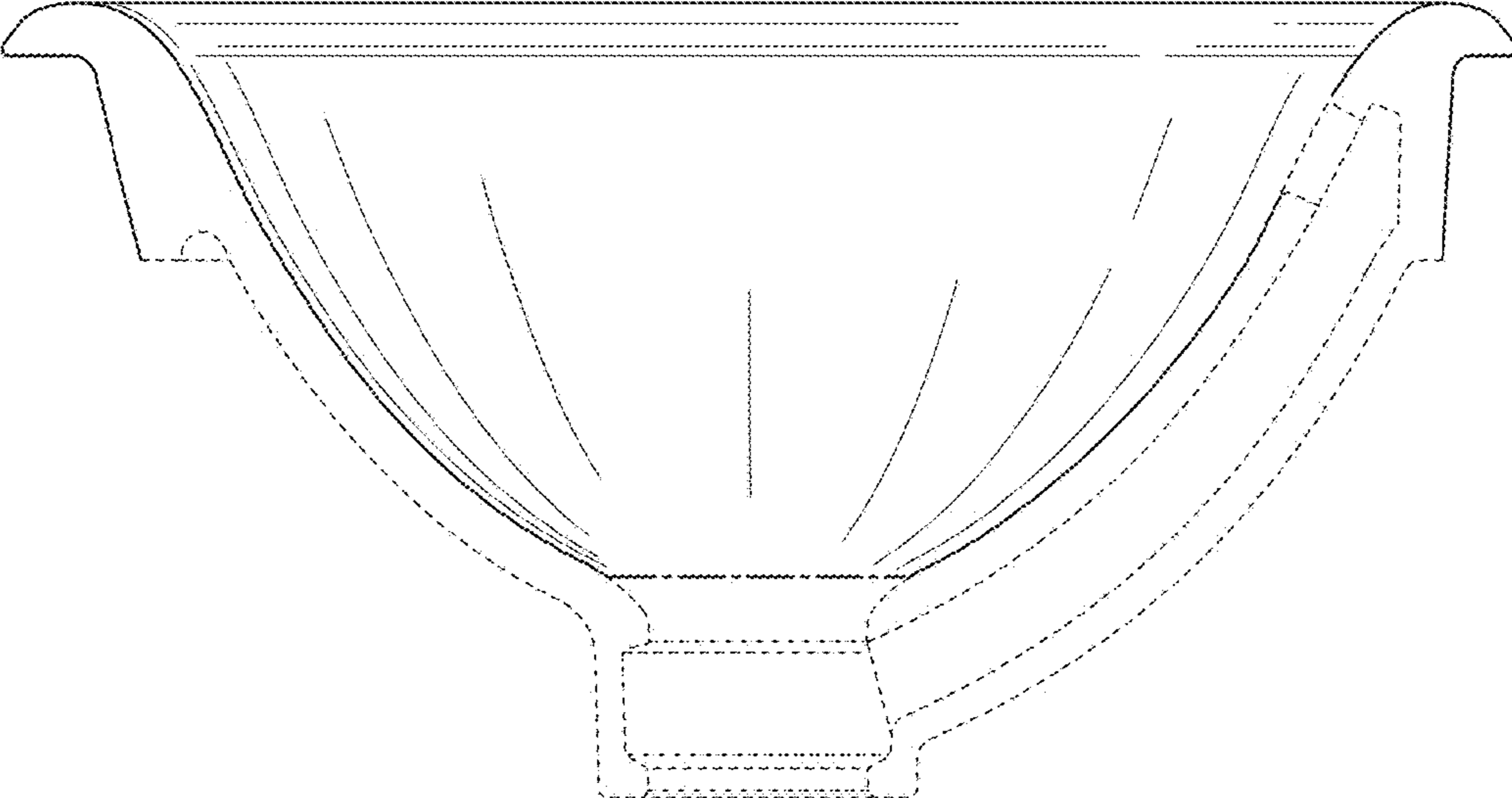


FIG. 8