



US00D832409S

(12) **United States Design Patent**
Sugatani et al.

(10) **Patent No.:** **US D832,409 S**

(45) **Date of Patent:** **** Oct. 30, 2018**

(54) **PIPE ADAPTER FOR WATER HEATER**

21/02; F16L 21/06; F16L 9/18; F16L 9/20; F16L 39/005; F16L 43/00; F16L

(Continued)

(71) Applicants: **NORITZ CORPORATION**, Hyogo (JP); **Living Engineering Co., Ltd.**, Tokyo (JP); **Mirai Industry Co., Ltd.**, Gifu (JP)

(56) **References Cited**

U.S. PATENT DOCUMENTS

D31,451 S 8/1899 Norris
3,326,560 A 6/1967 Trbovich
(Continued)

(72) Inventors: **Masaki Sugatani**, Akashi (JP); **Takanori Nagano**, Kakogawa (JP); **Hironao Matsunaga**, Amagasaki (JP); **Takahide Hasegawa**, Kakogawa (JP); **Kiyomi Kanamoto**, Tokyo (JP); **Yasuhide Satoh**, Tokyo (JP); **Shohei Matsuda**, Ogaki (JP)

OTHER PUBLICATIONS

An Office Action issued by the United States Patent and Trademark Office dated Dec. 27, 2017, which corresponds to U.S. Appl. No. 29/578,875 and is related to U.S. Appl. No. 29/578,873.

Primary Examiner — Eric L Goodman
Assistant Examiner — Amy C Wierenga

(73) Assignees: **NORITZ CORPORATION**, Hyogo (JP); **Tokyo Gas Living Engineering Co., Ltd.**, Tokyo (JP); **Mirai Industry Co., Ltd.**, Gifu (JP)

(74) *Attorney, Agent, or Firm* — Studebaker & Brackett PC

(**) Term: **15 Years**

(21) Appl. No.: **29/578,873**

(22) Filed: **Sep. 26, 2016**

(57) **CLAIM**

(51) **LOC (11) Cl.** **23-01**

The ornamental design for a pipe adapter for water heater, as shown and described.

(52) **U.S. Cl.**

USPC **D23/263**

(58) **Field of Classification Search**

USPC D23/259, 262–266, 233–237, 258, 268, D23/386, 261, 387, 393; D13/133; 285/31, 24, 27, 121.1, 123.3, 148.22, 347, 285/199, 179, 179.1, 180–182, 132.2, 285/132.15, 124.2, 135.4, 16, 55, 119, 285/176, 127, 369, 372, 373, 417; 137/12, 47, 220, 804; 138/37, 103, 109, 138/113, 120, 140, 155, 111–112, 114; D8/349, 382, 394–397, 359, 363; 165/154–155, 164, 181; 4/679; D32/31–33

DESCRIPTION

FIG. 1 is a perspective view of a pipe adapter for water heater showing the present design; FIG. 2 is a front view thereof; FIG. 3 is a rear view thereof; FIG. 4 is a top view thereof; FIG. 5 is a bottom view thereof; FIG. 6 is a right side view thereof; FIG. 7 is a left side view thereof; FIG. 8 is a cross sectional view taken along line 8-8 of FIG. 7 thereof; and, FIG. 9 is a front view shown in a state of use.

(Continued)

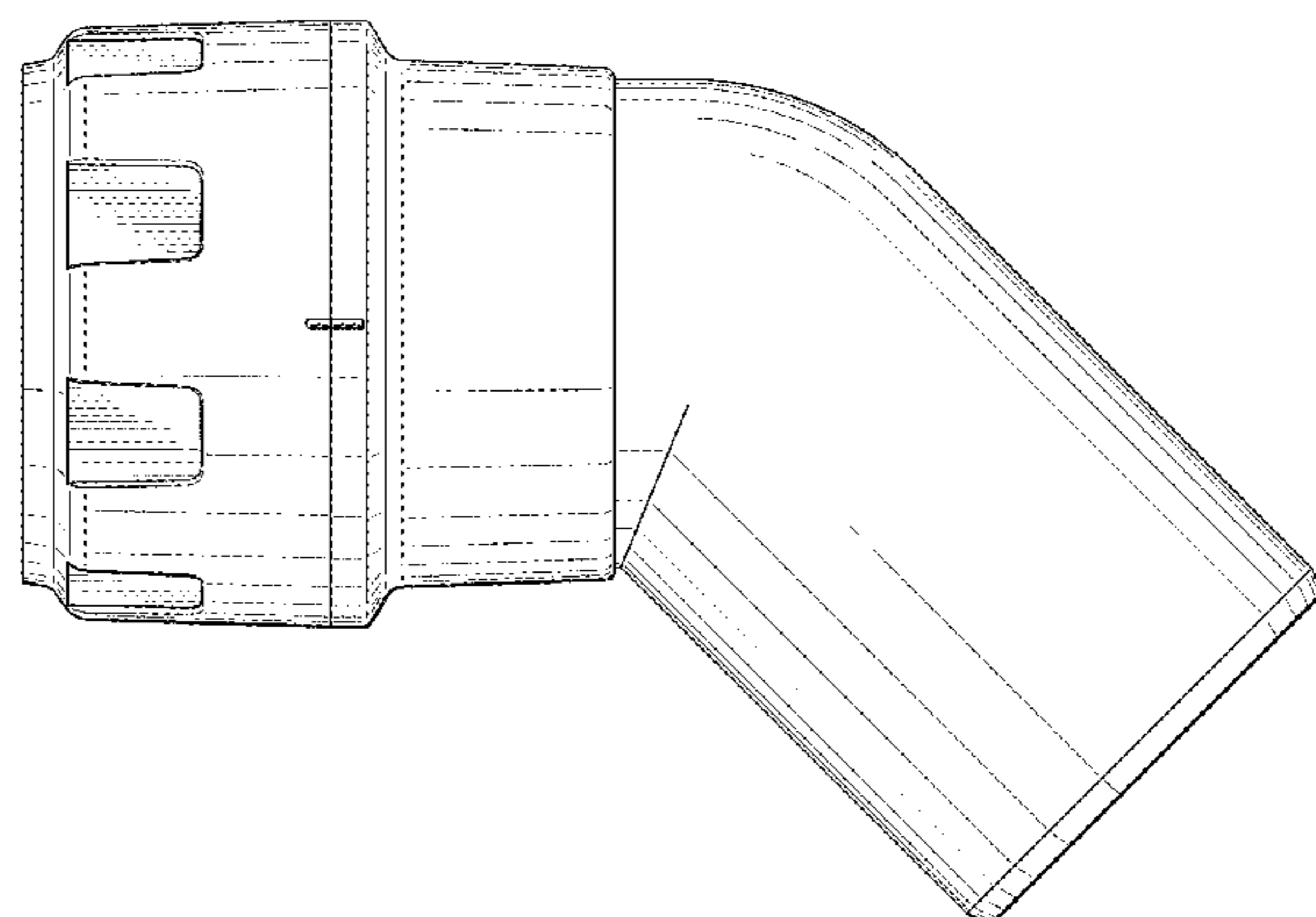
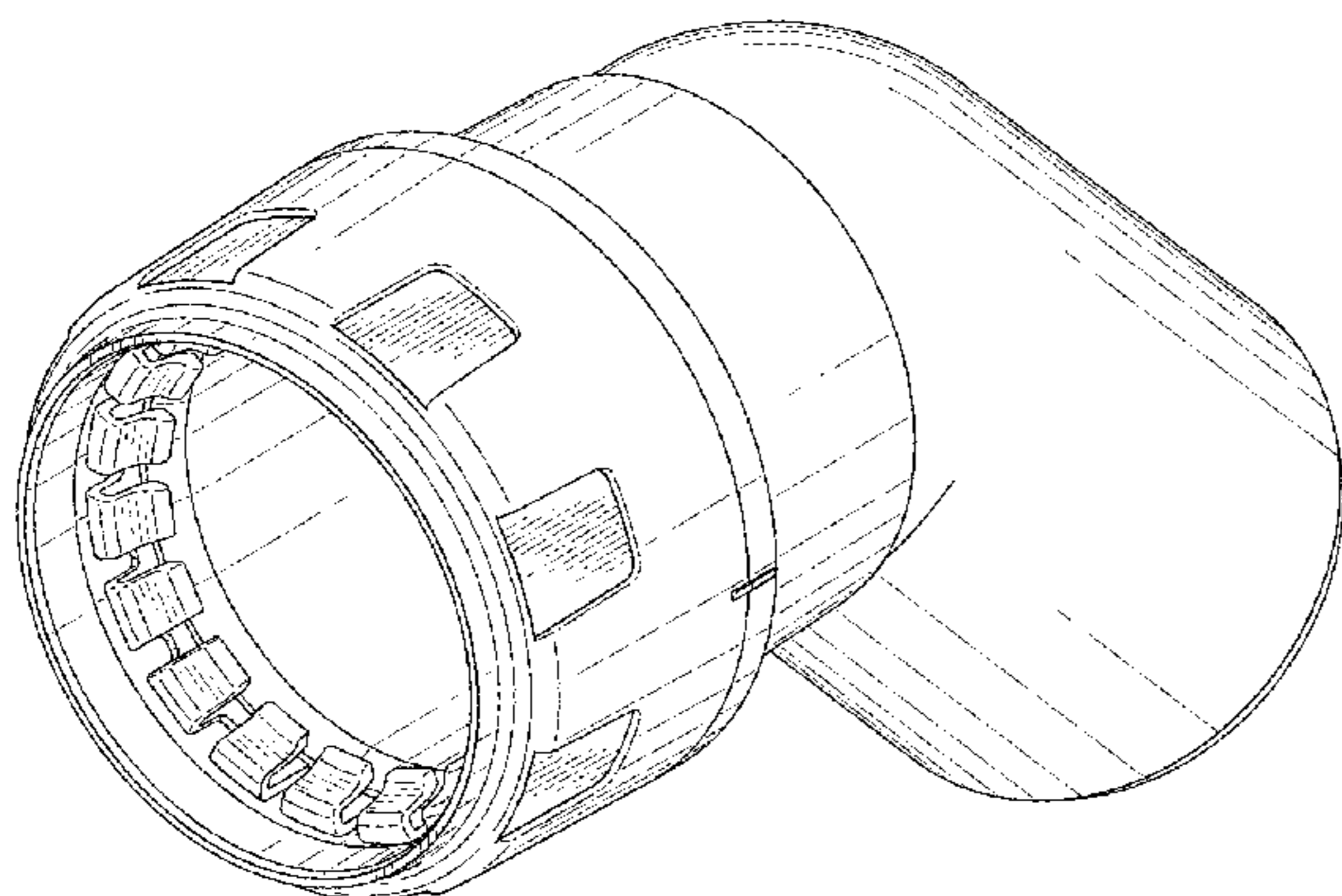


FIG.1

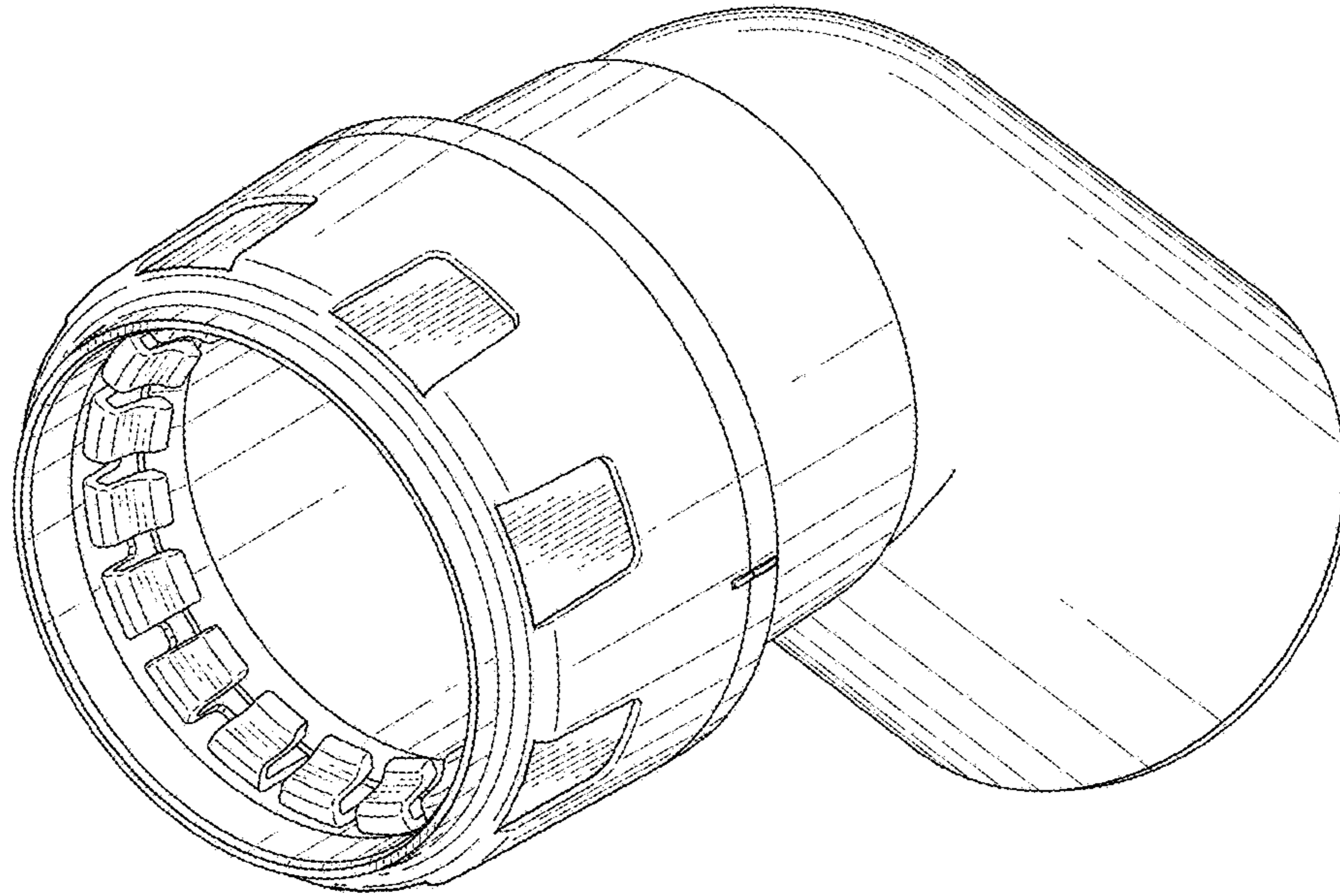


FIG.2

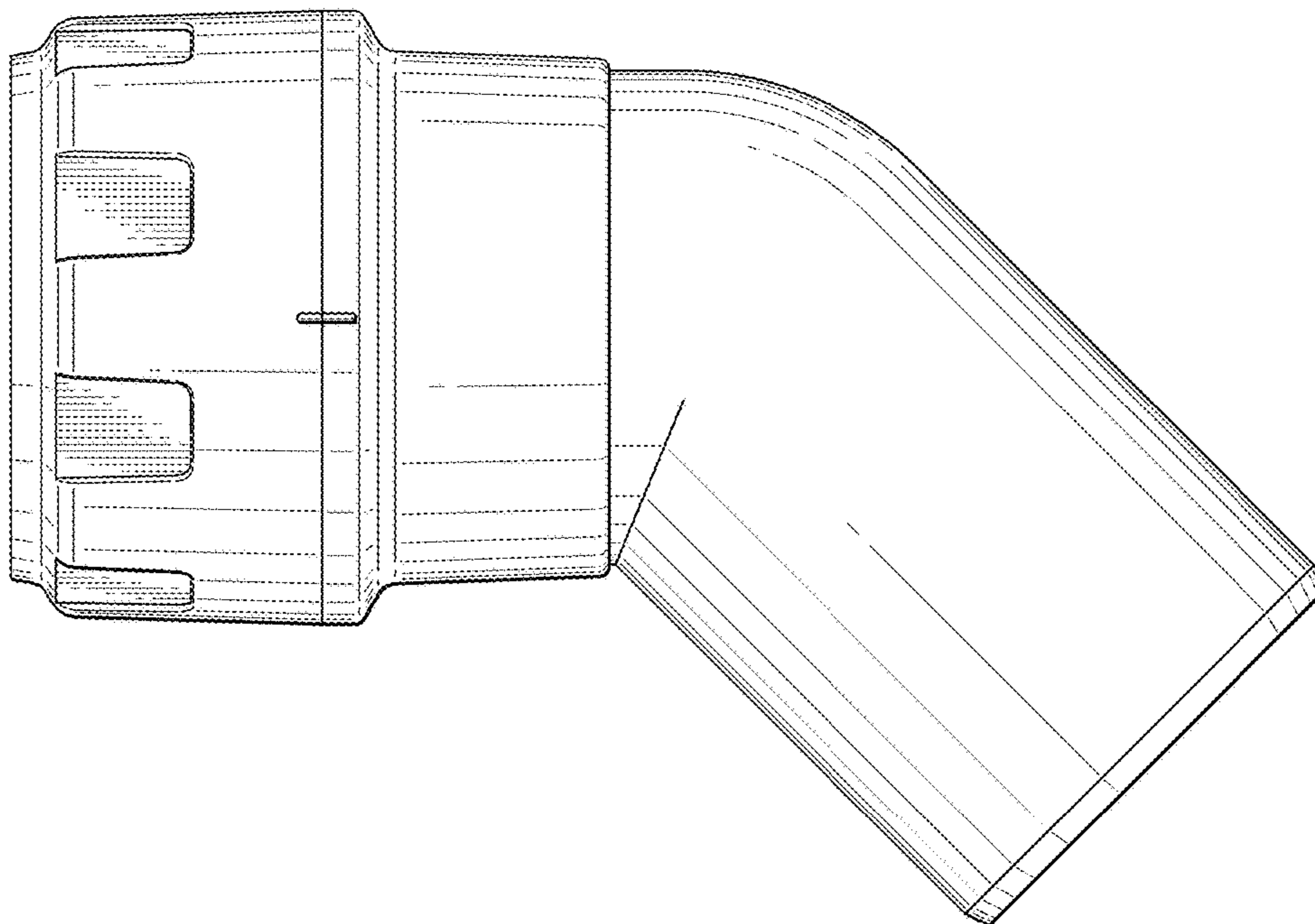


FIG.3

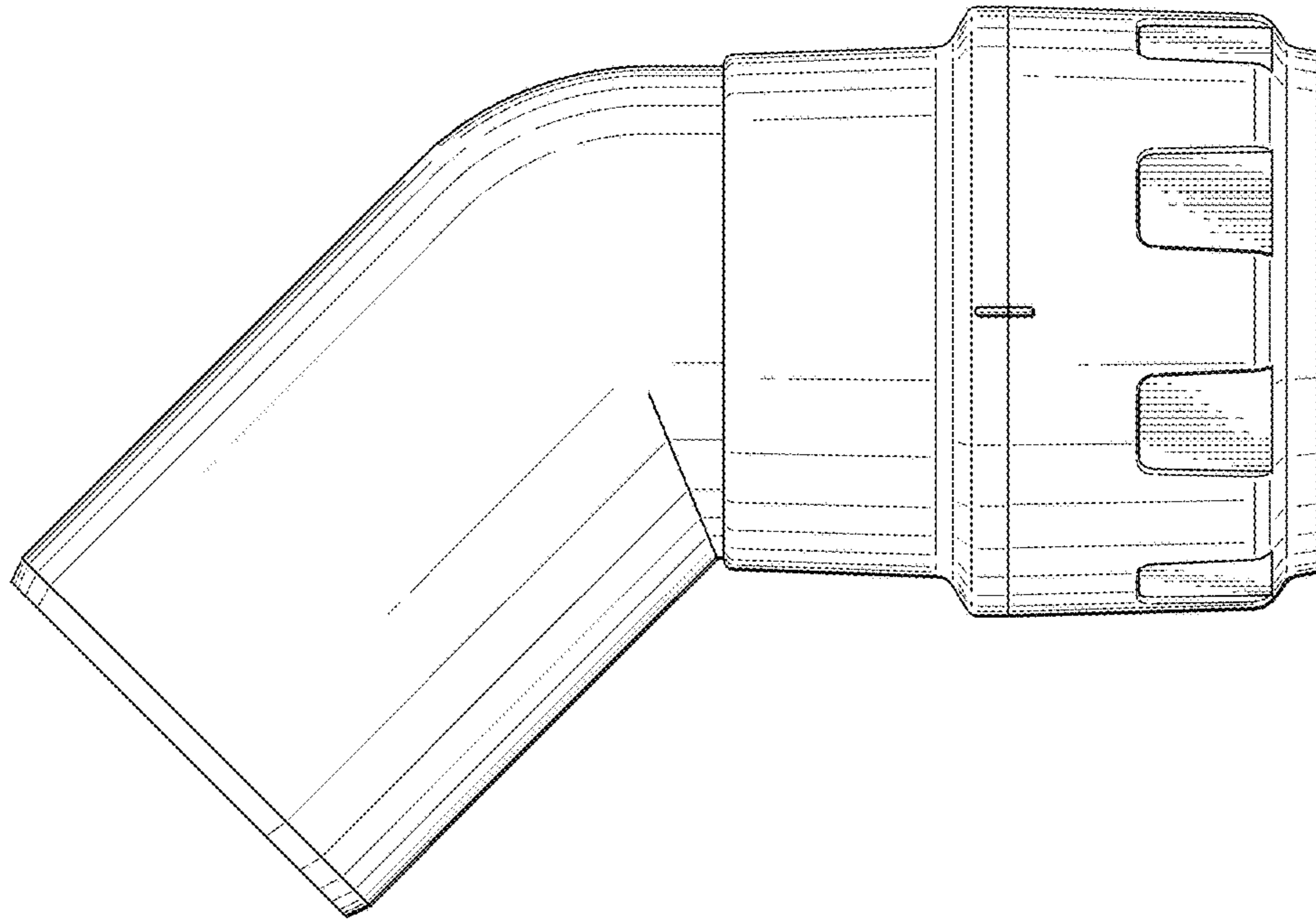


FIG.4

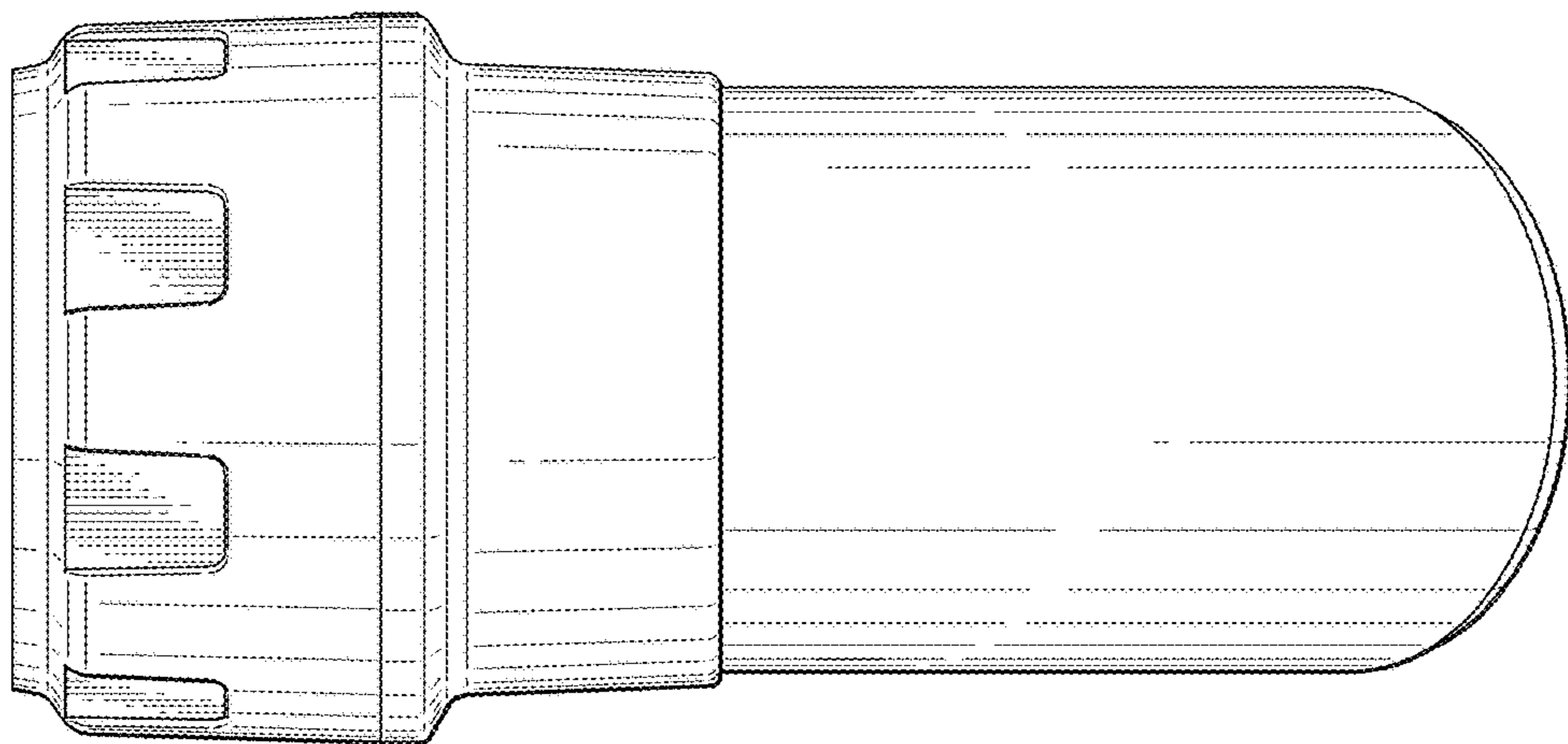


FIG.5

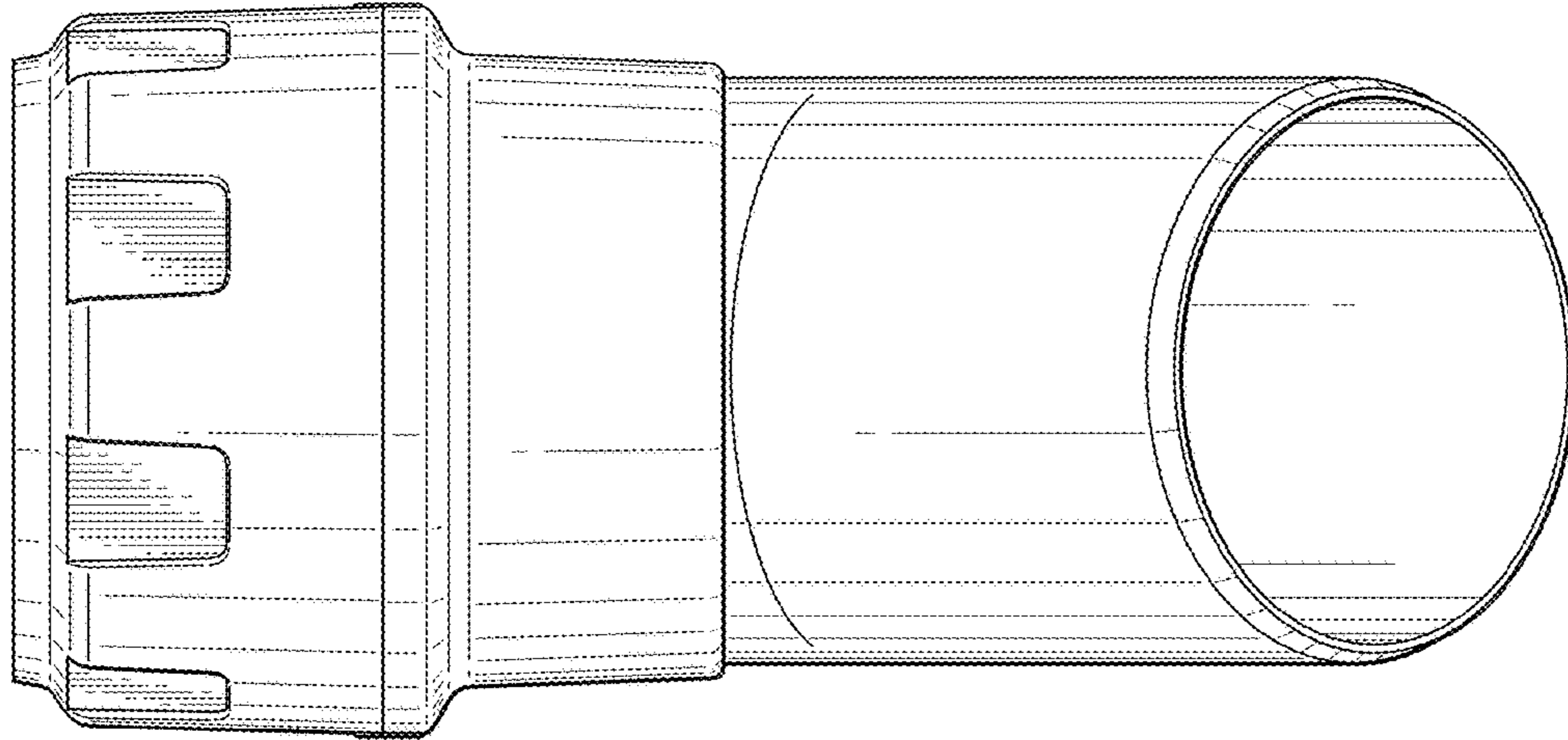


FIG.6

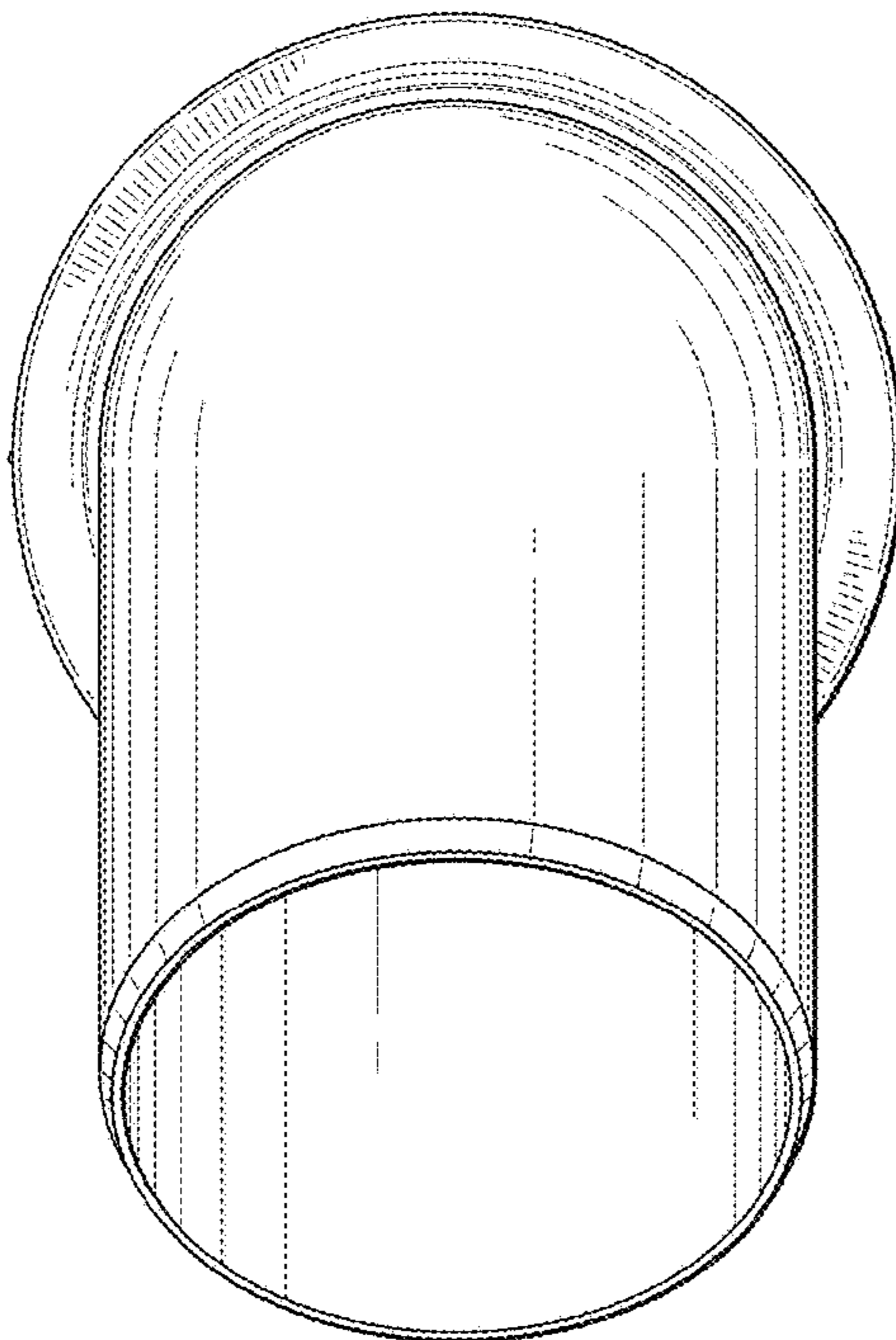


FIG.7

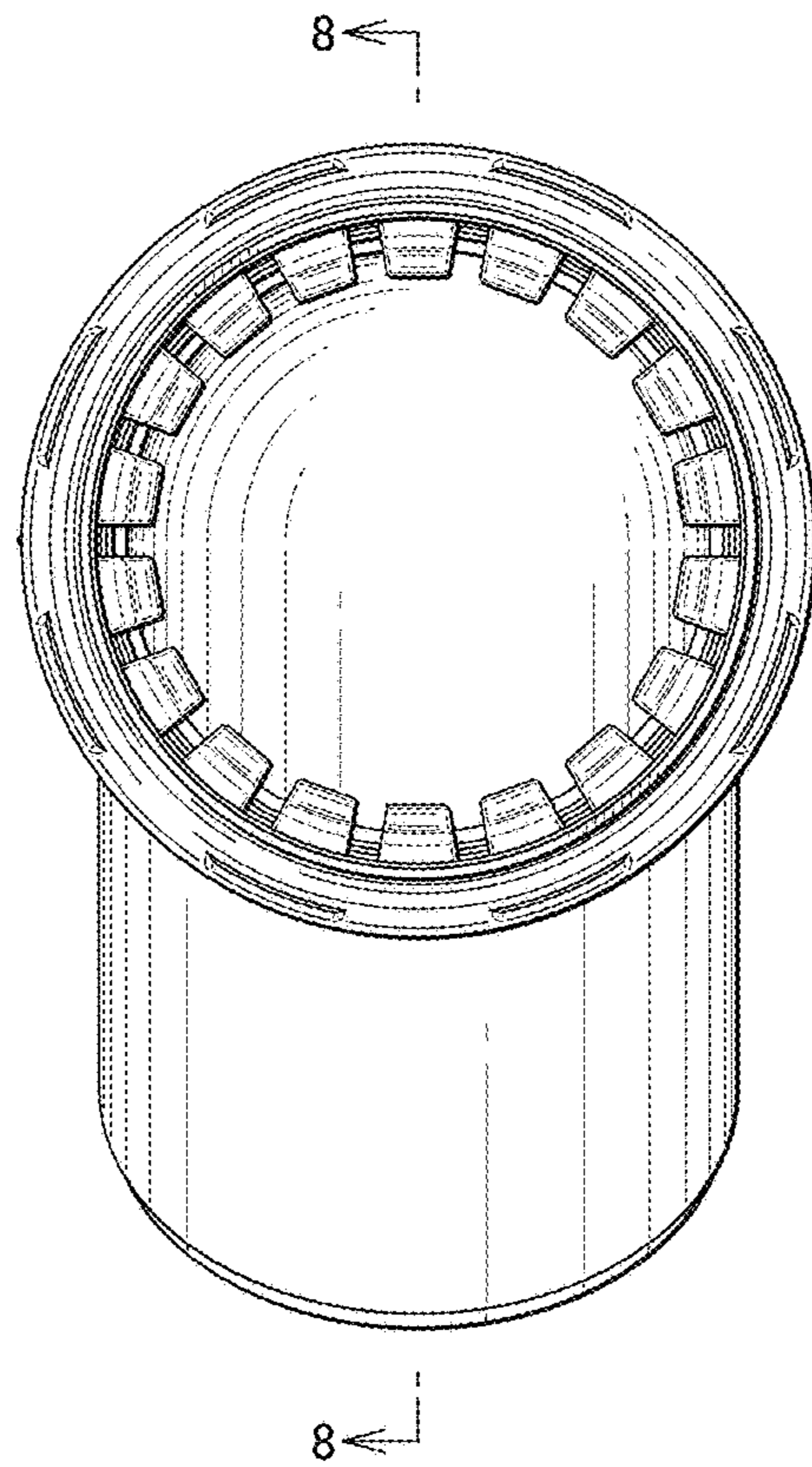


FIG.8

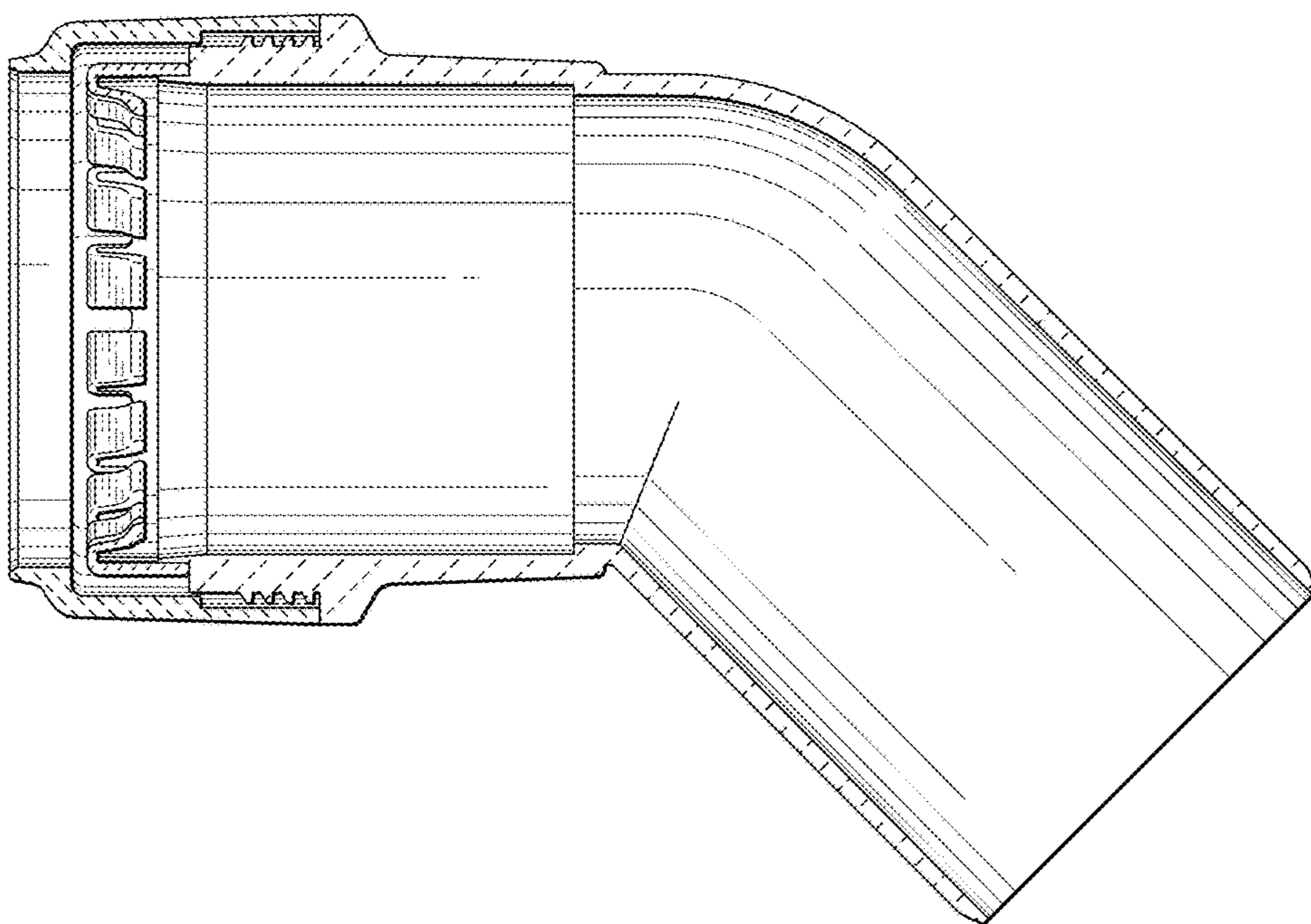


FIG.9

