



US00D832408S

(12) **United States Design Patent**
St-Antoine

(10) **Patent No.:** **US D832,408 S**

(45) **Date of Patent:** **** Oct. 30, 2018**

(54) **DRAIN STRAINER**

(71) Applicant: **FNX GROUP INC.**, Levis, Quebec
(CA)

(72) Inventor: **Philippe St-Antoine**, Levis (CA)

(73) Assignee: **FNX GROUP INC.**, Levis (CA)

(**) Term: **15 Years**

(21) Appl. No.: **29/628,174**

(22) Filed: **Dec. 1, 2017**

(51) **LOC (11) Cl.** **23-01**

(52) **U.S. Cl.**
USPC **D23/261**

(58) **Field of Classification Search**
USPC D23/259–261, 208–210; D7/399, 400;
4/286–287, 292–293, 295
CPC E03C 1/03; E03C 1/22; E03C 1/23; E03C
1/26; E03C 1/262; E03C 1/264
See application file for complete search history.

(56) **References Cited**

U.S. PATENT DOCUMENTS

- 2,337,331 A * 12/1943 Kirschner E03C 1/262
4/287
- D439,957 S * 4/2001 Barnett D23/261
- D650,471 S * 12/2011 Du D23/268
- D783,134 S * 4/2017 Carnegie D23/261
- D785,767 S * 5/2017 Carnegie E03C 1/264
D23/261
- D794,759 S * 8/2017 Carnegie D23/261
- 9,868,627 B2 * 1/2018 Batistakis B67D 7/76
- D814,611 S * 4/2018 Carnegie D23/261
- 2002/0139731 A1 * 10/2002 Michels B01D 27/103
210/97
- 2002/0144338 A1 * 10/2002 Delanzo E03C 1/264
4/286

- 2004/0255378 A1 * 12/2004 Tracy E03C 1/23
4/689
- 2015/0321127 A1 * 11/2015 Arent E03C 1/264
210/232
- 2016/0251839 A1 * 9/2016 Ali E03C 1/262
4/287
- 2017/0073949 A1 * 3/2017 Carnegie E03C 1/264

OTHER PUBLICATIONS

FNX Drain Hair Catcher—Bathtub Drain Cover, Earliest Review
Apr. 30, 2018, [Visited Online Jul. 15, 2018], https://www.amazon.com/FNX-Drain-Hair-Catcher-Innovative/dp/B0787KJZVZ/ref=pd_rhf_se_p_img_9?_encoding=UTF8&psc=1&refRID=30Y33K62E39257JKQMM1.*

* cited by examiner

Primary Examiner — Eric L Goodman

Assistant Examiner — Amy C Wierenga

(74) *Attorney, Agent, or Firm* — Robert Brouillette;
Brouillette Legal Inc.

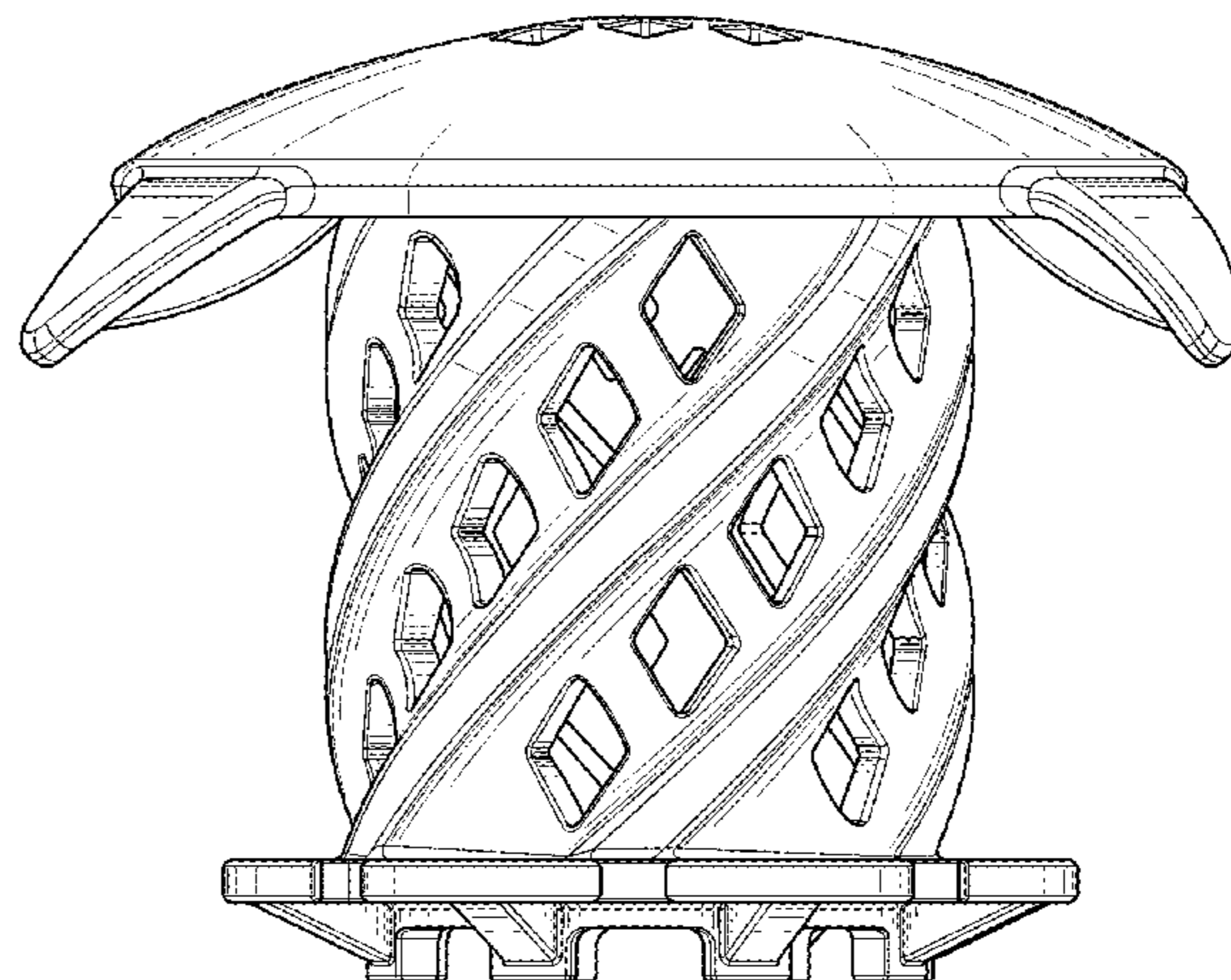
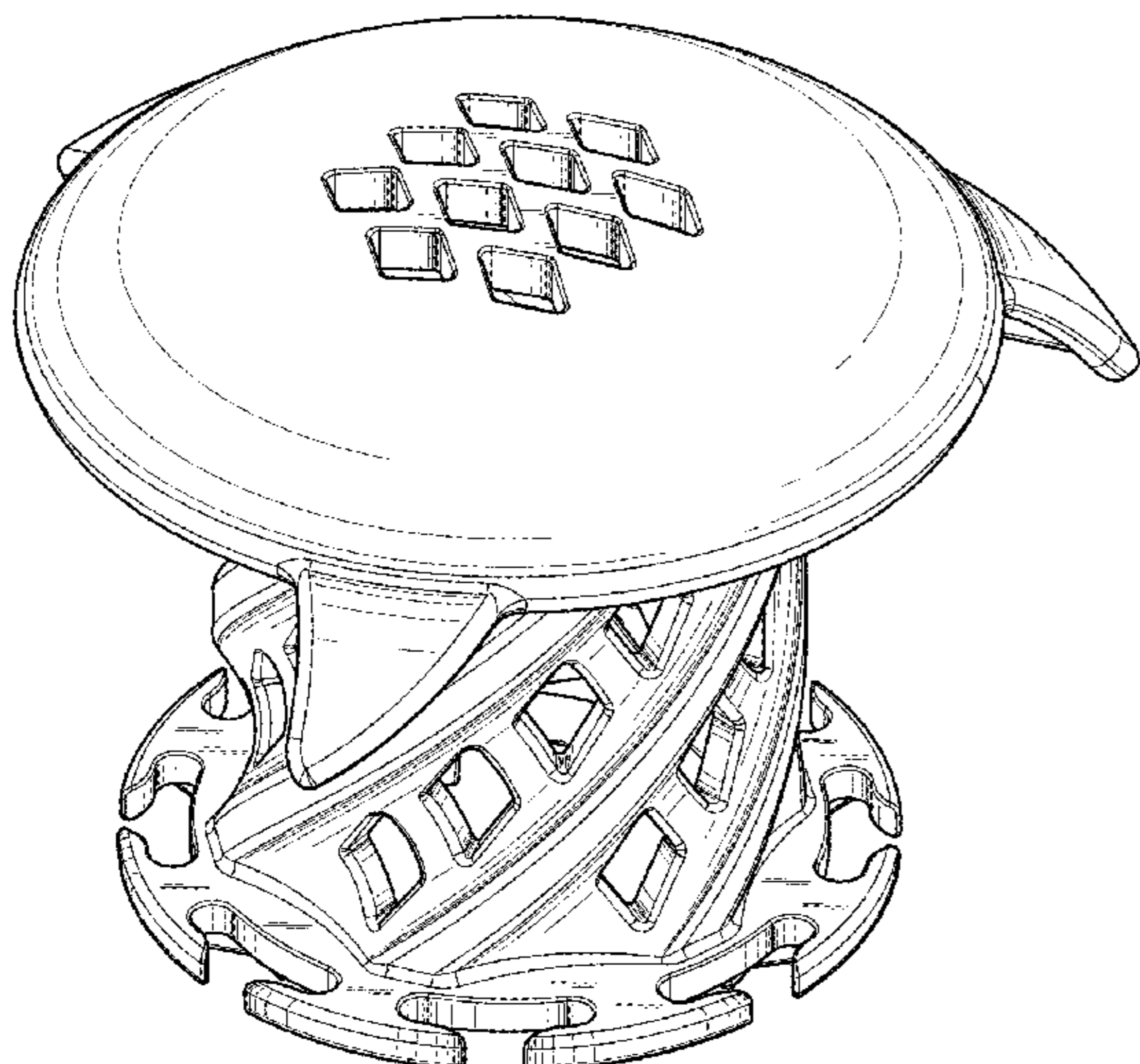
(57) **CLAIM**

The ornamental design for a drain strainer, as shown.

DESCRIPTION

FIG. 1 is a front perspective view of the drain strainer;
FIG. 2 is a front plan view of the drain strainer;
FIG. 3 is a back plan view of the drain strainer;
FIG. 4 is a right plan view of the drain strainer;
FIG. 5 is a left plan view of the drain strainer;
FIG. 6 is a top plan view of the drain strainer;
FIG. 7 is a bottom plan view of the drain strainer; and,
FIG. 8 is a bottom perspective view of the drain strainer.

1 Claim, 8 Drawing Sheets



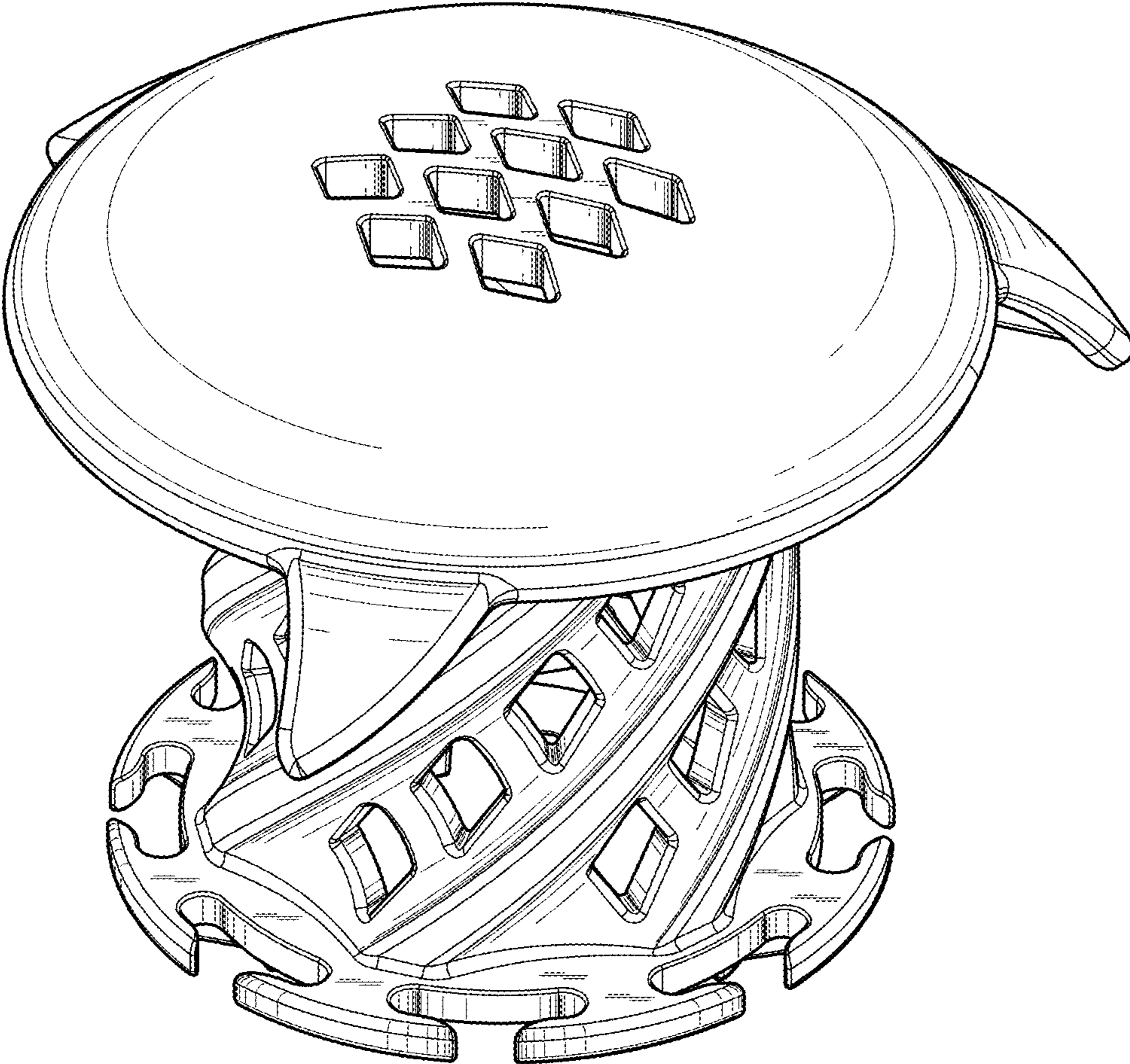


Fig. 1

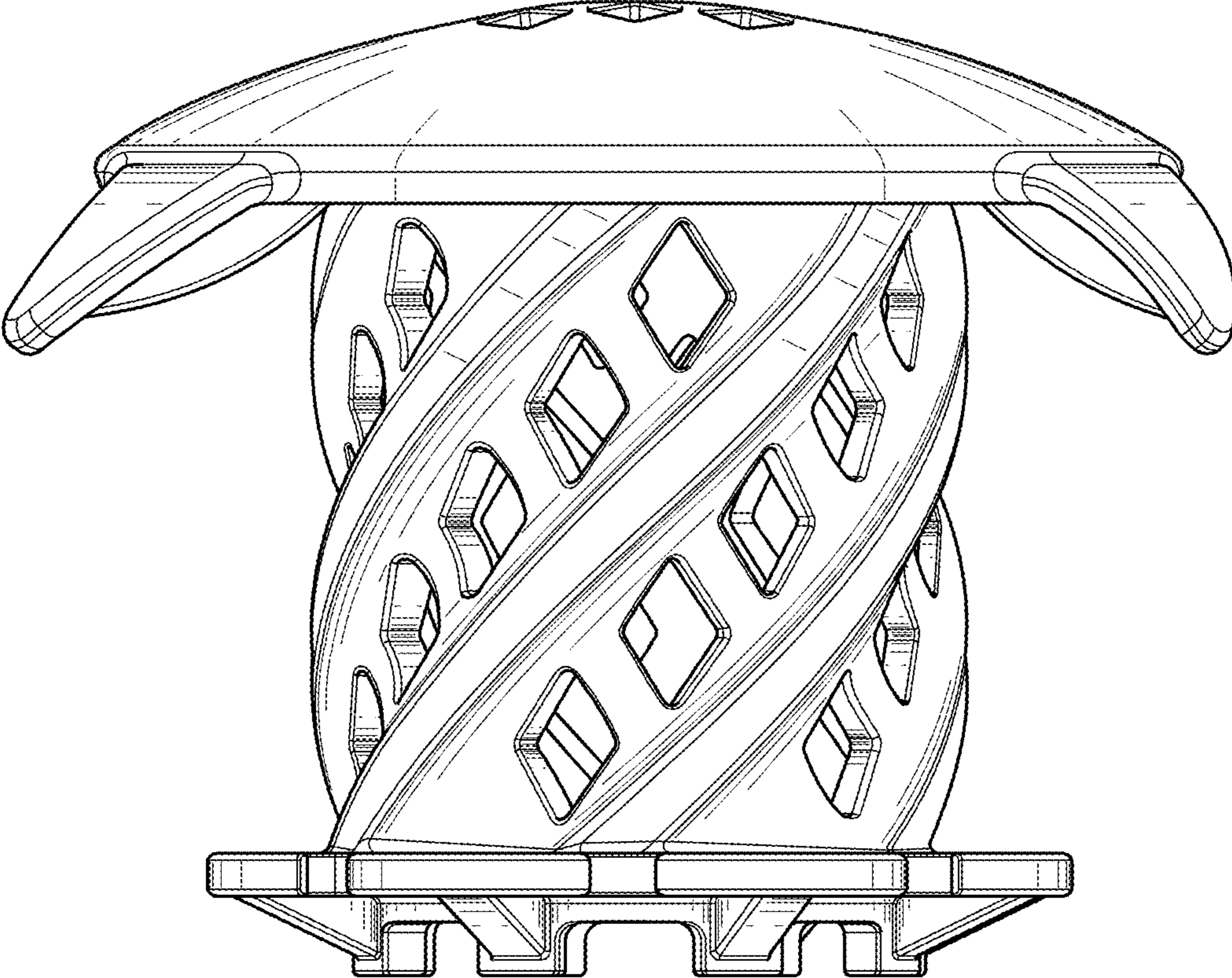


Fig. 2

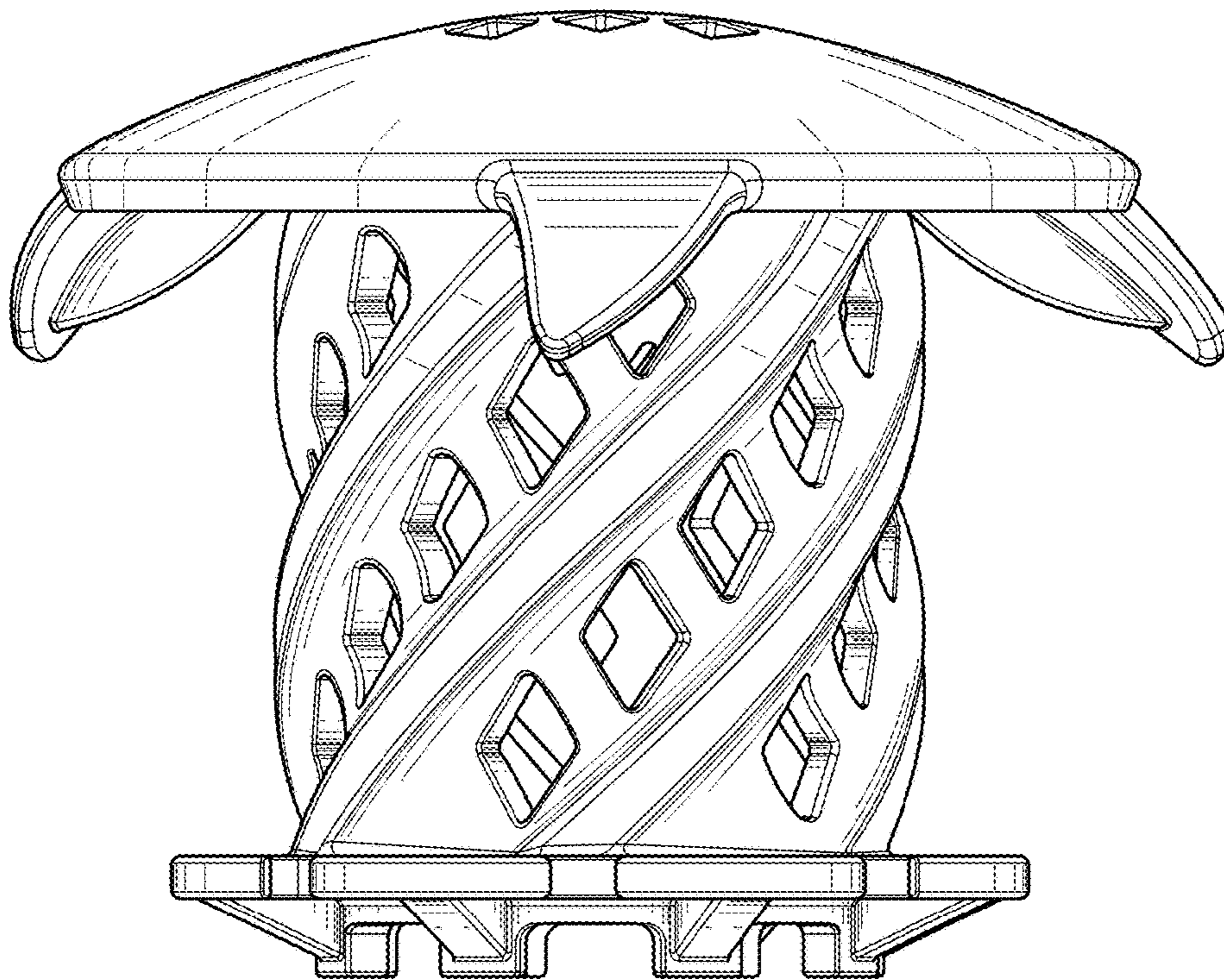


Fig. 3

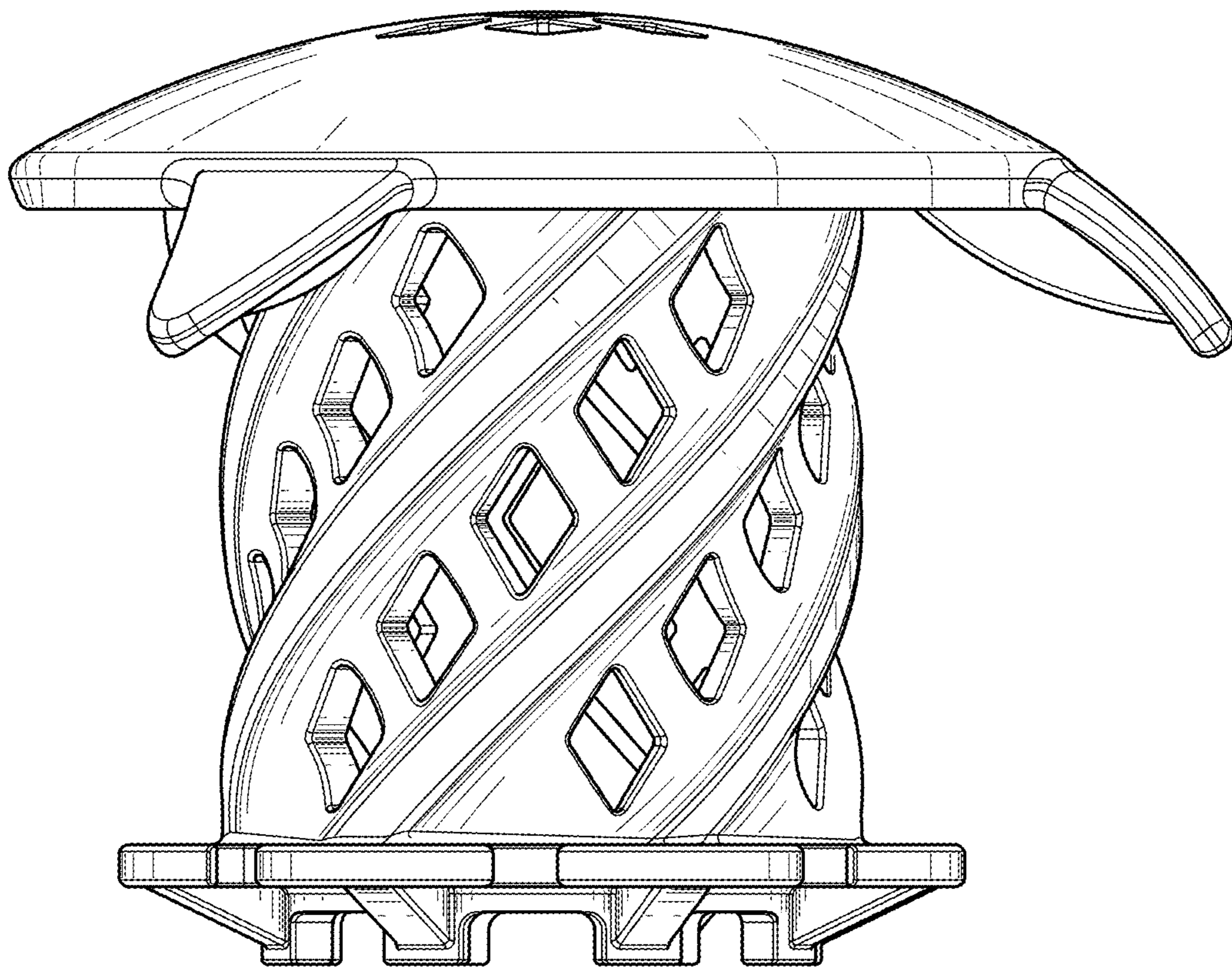


Fig. 4

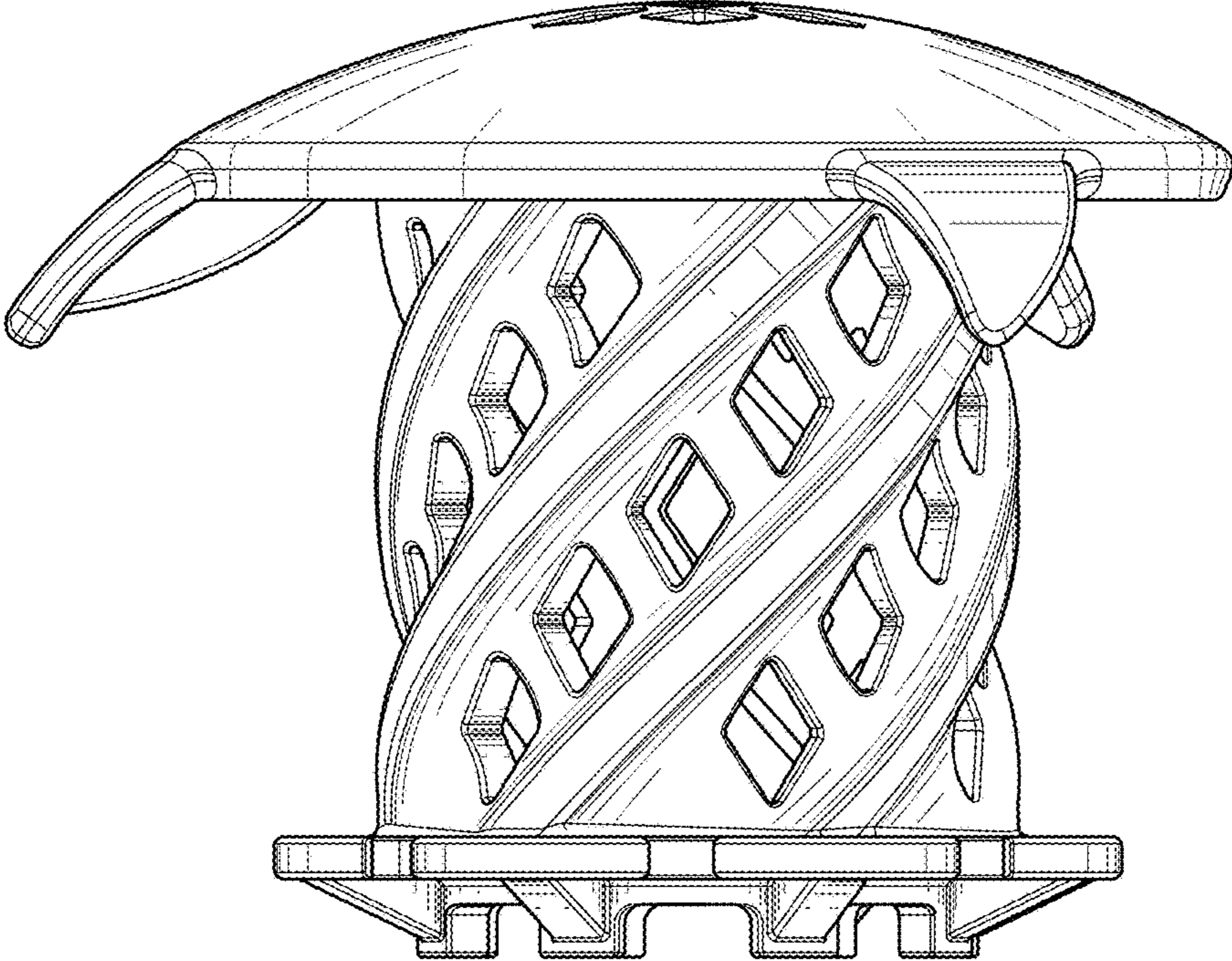


Fig. 5

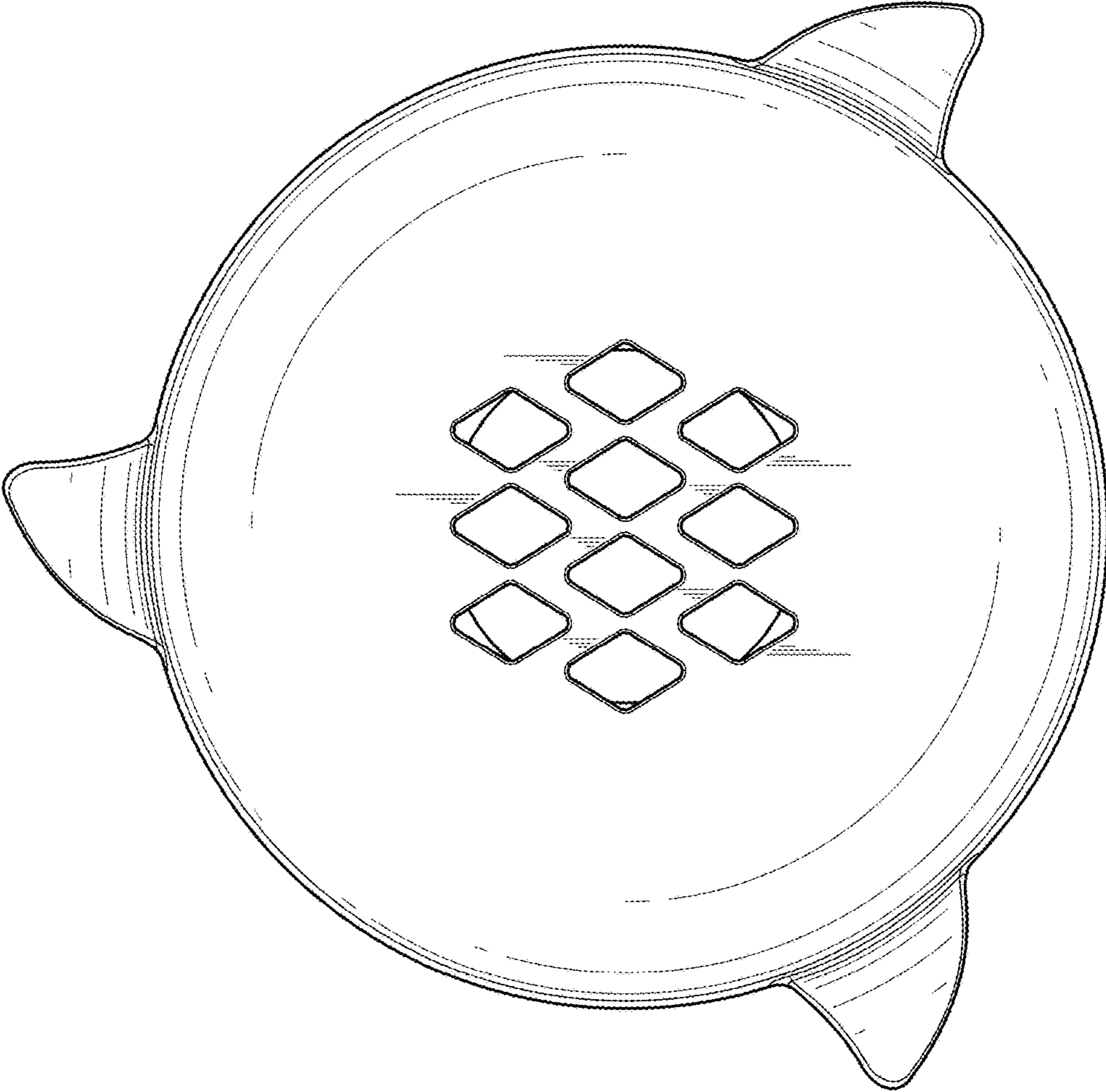


Fig. 6

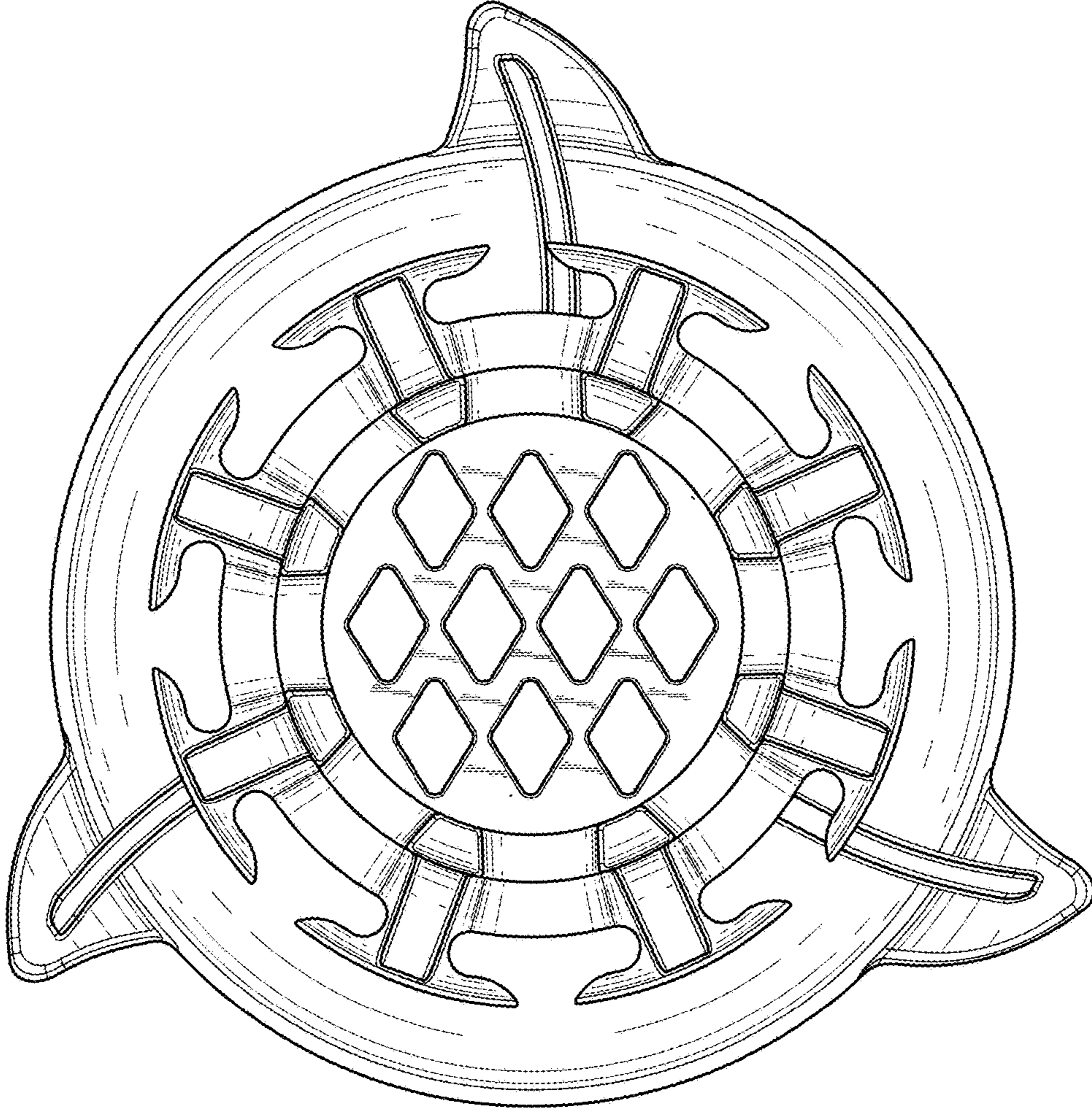


Fig. 7

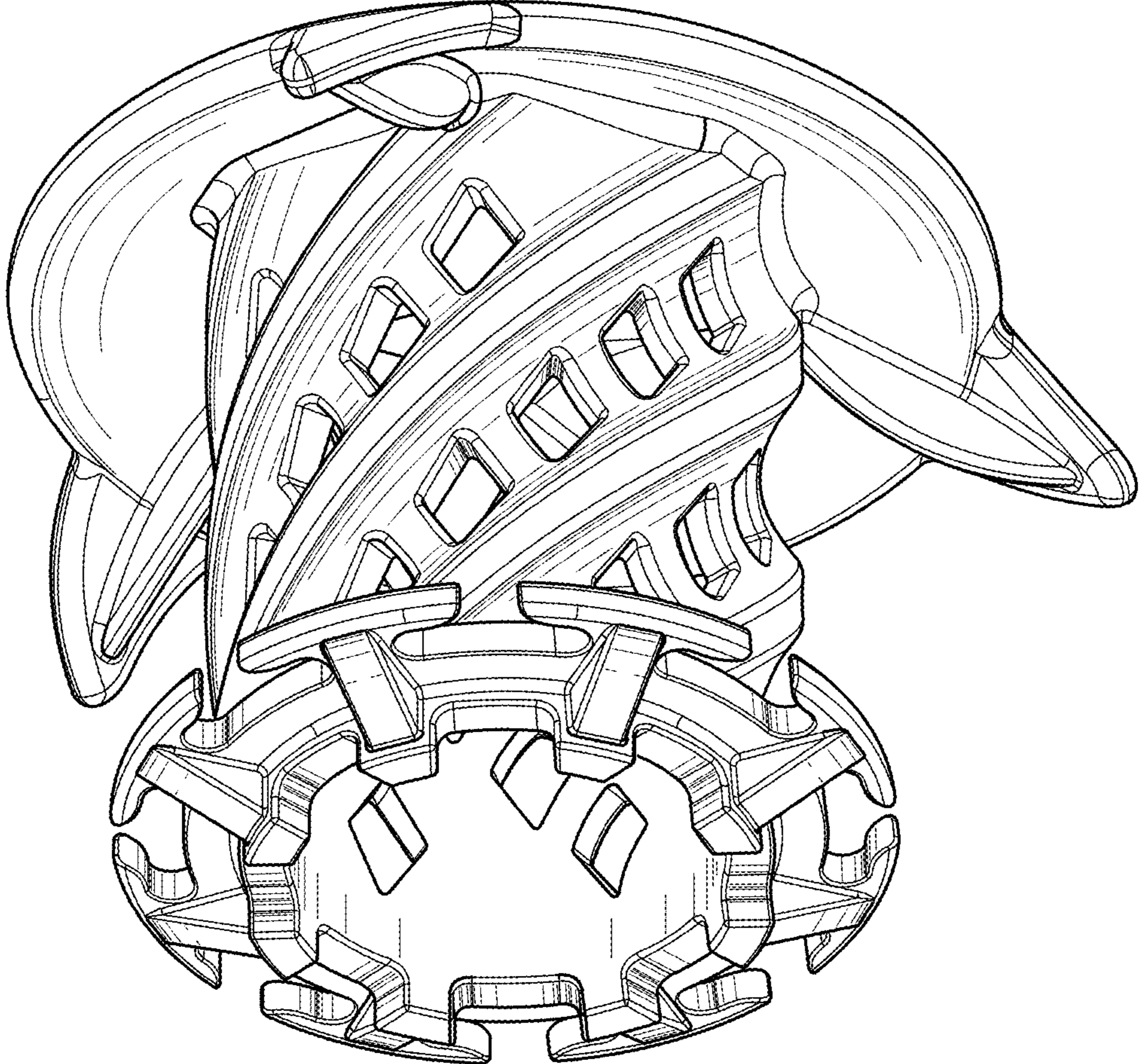


Fig. 8