



US00D832404S

(12) **United States Design Patent**
Thakur

(10) **Patent No.:** **US D832,404 S**

(45) **Date of Patent:** **** Oct. 30, 2018**

(54) **FAUCET**

(71) Applicant: **TCL MANUFACTURING LIMITED,**
Essex (GB)

(72) Inventor: **Umeshwar S. Thakur,** Essex (GB)

(73) Assignee: **TCL Manufacturing Limited,**
Rainham, Essex (GB)

(**) Term: **15 Years**

(21) Appl. No.: **29/595,489**

(22) Filed: **Feb. 28, 2017**

(51) **LOC (11) Cl.** **23-01**

(52) **U.S. Cl.**
USPC **D23/255**

(58) **Field of Classification Search**
USPC D23/238–243, 249–250, 252, 254–255,
D23/257, 245; D8/307–308
CPC Y10T 137/9464
See application file for complete search history.

(56) **References Cited**

U.S. PATENT DOCUMENTS

D429,521 S * 8/2000 Doughty D23/250
D456,879 S * 5/2002 Doughty D23/252
D472,615 S * 4/2003 Smith D23/238
D491,637 S * 6/2004 Lin D23/255

D522,628 S * 6/2006 Fritz D23/252
D523,536 S * 6/2006 Kosasih D23/255
D540,437 S * 4/2007 Huang D23/252
D645,944 S * 9/2011 Gilbert D23/255
D717,921 S * 11/2014 Rexach D23/252
D718,426 S * 11/2014 Rexach D23/257

* cited by examiner

Primary Examiner — Robert A Delehanty

(74) *Attorney, Agent, or Firm* — Calfee, Halter &
Griswold LLP

(57) **CLAIM**

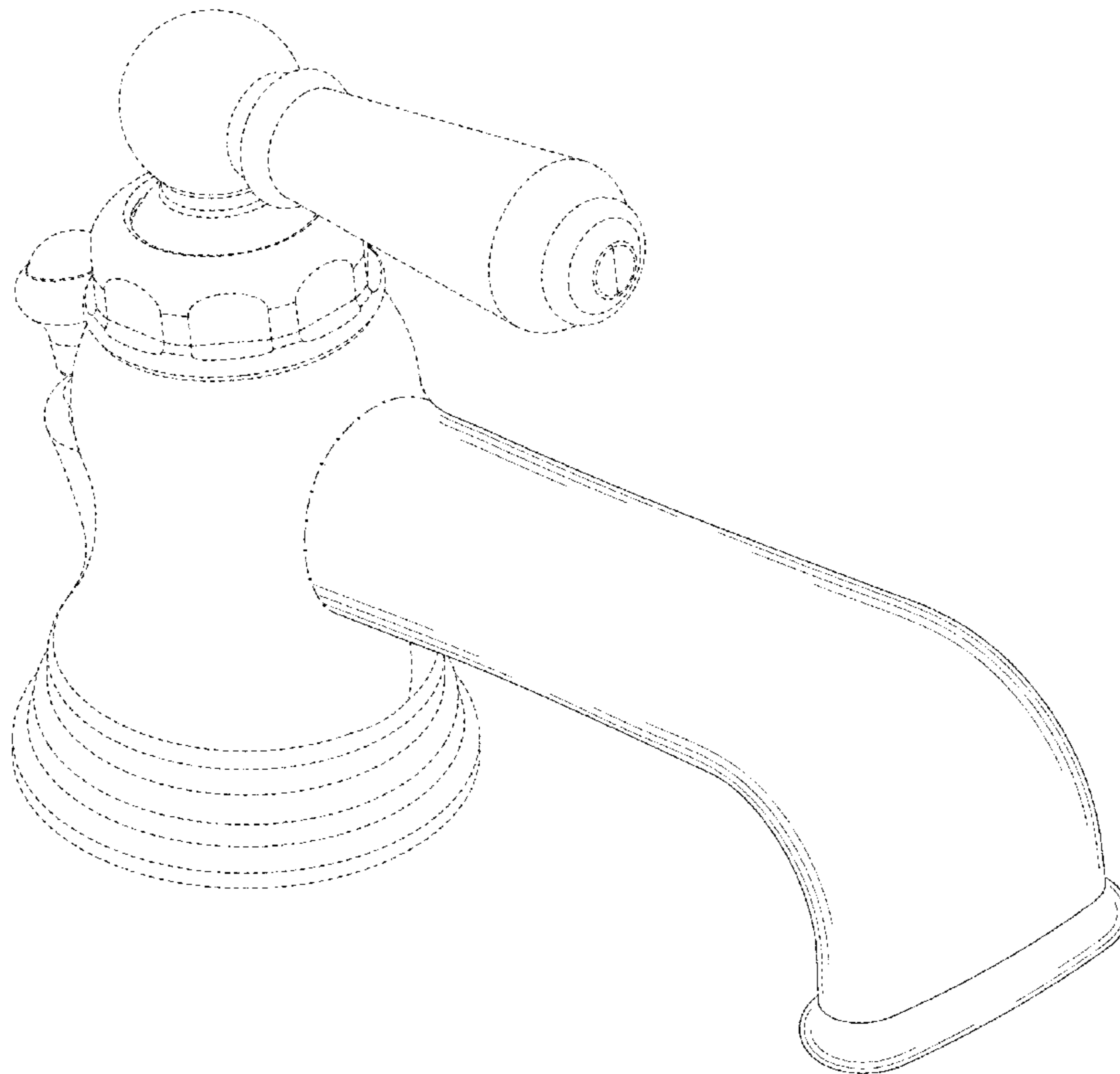
The ornamental design for a faucet, as shown and described.

DESCRIPTION

FIG. 1 is a perspective view of a faucet of the new design; FIG. 2 is a front elevational view of the faucet of FIG. 1; FIG. 3 is a rear elevational view of the faucet of FIG. 1; FIG. 4 is a left side elevational view of the faucet of FIG. 1, the right side elevational view being a mirror image thereof; FIG. 5 is a top plan view of the faucet of FIG. 1; and, FIG. 6 is a bottom plan view of the faucet of FIG. 1.

The portions of the Figures shown in broken lines with a dash-dash pattern indicate unclaimed structure and form no part of the claimed design. The portions of the Figures shown as broken lines with a dash-dot pattern indicate unclaimed boundaries of the claimed design and form no part of the claimed design. None of the broken lines form any part of the claimed design.

1 Claim, 4 Drawing Sheets



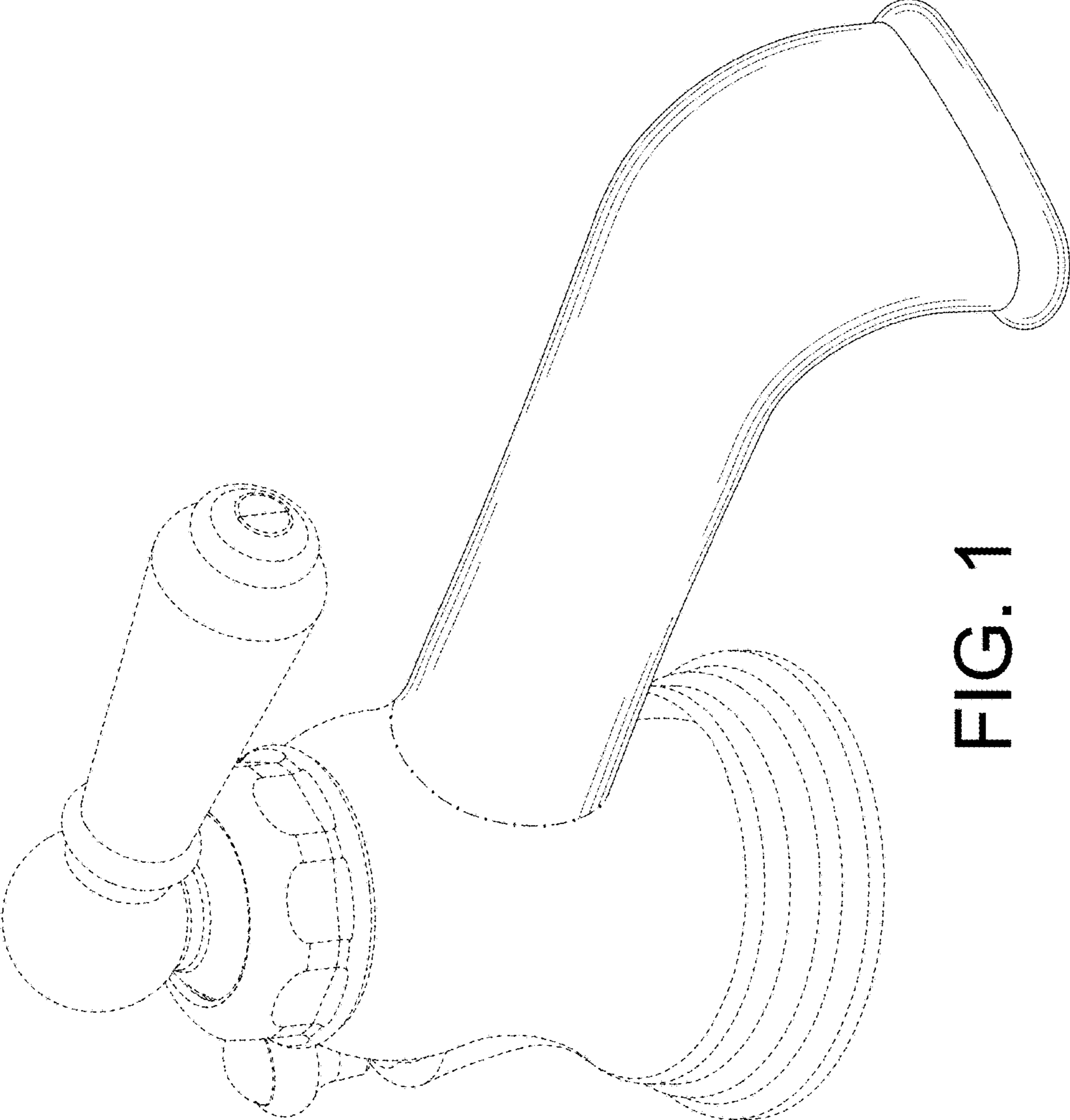


FIG. 1

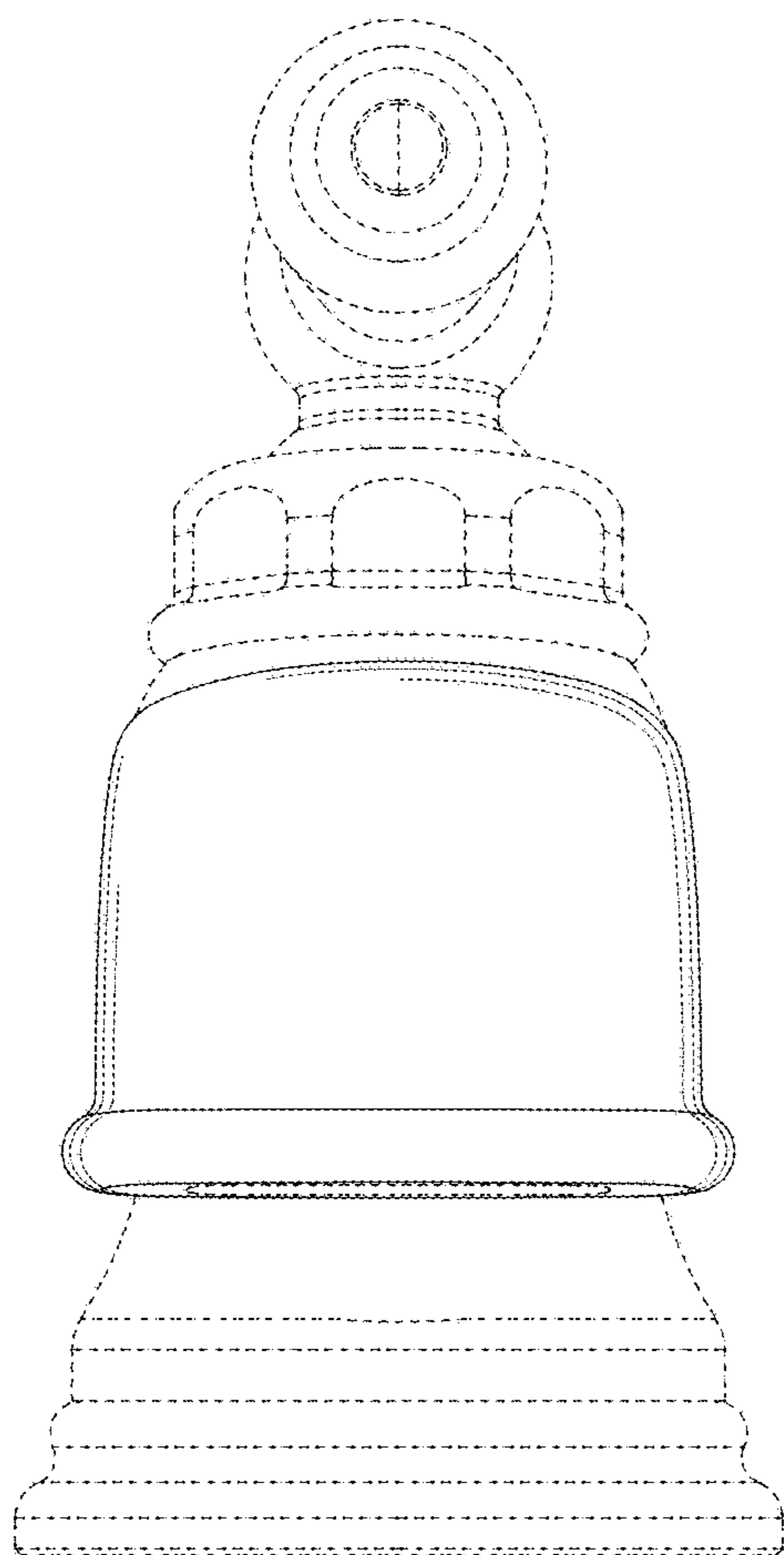


FIG. 2

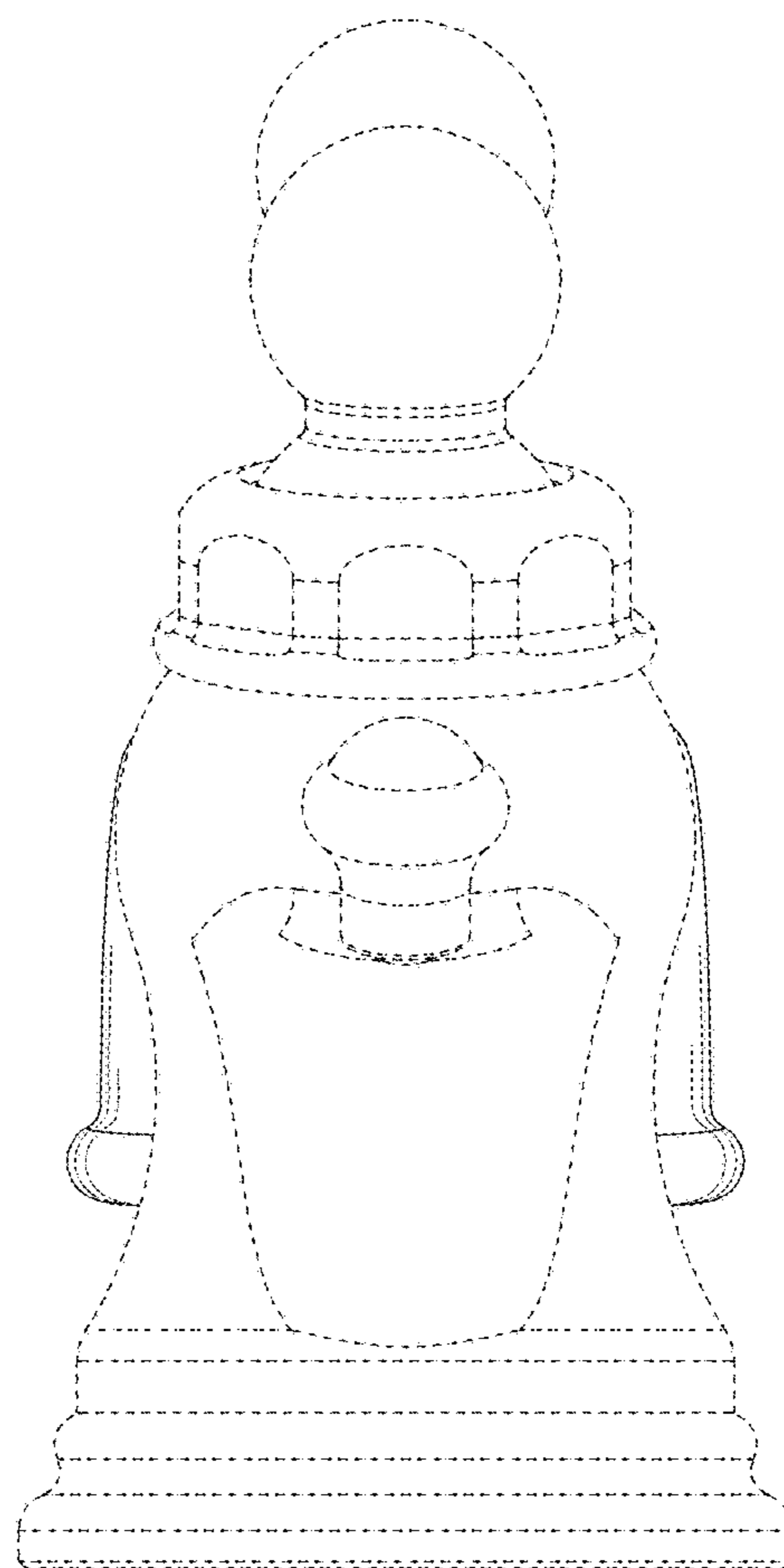


FIG. 3

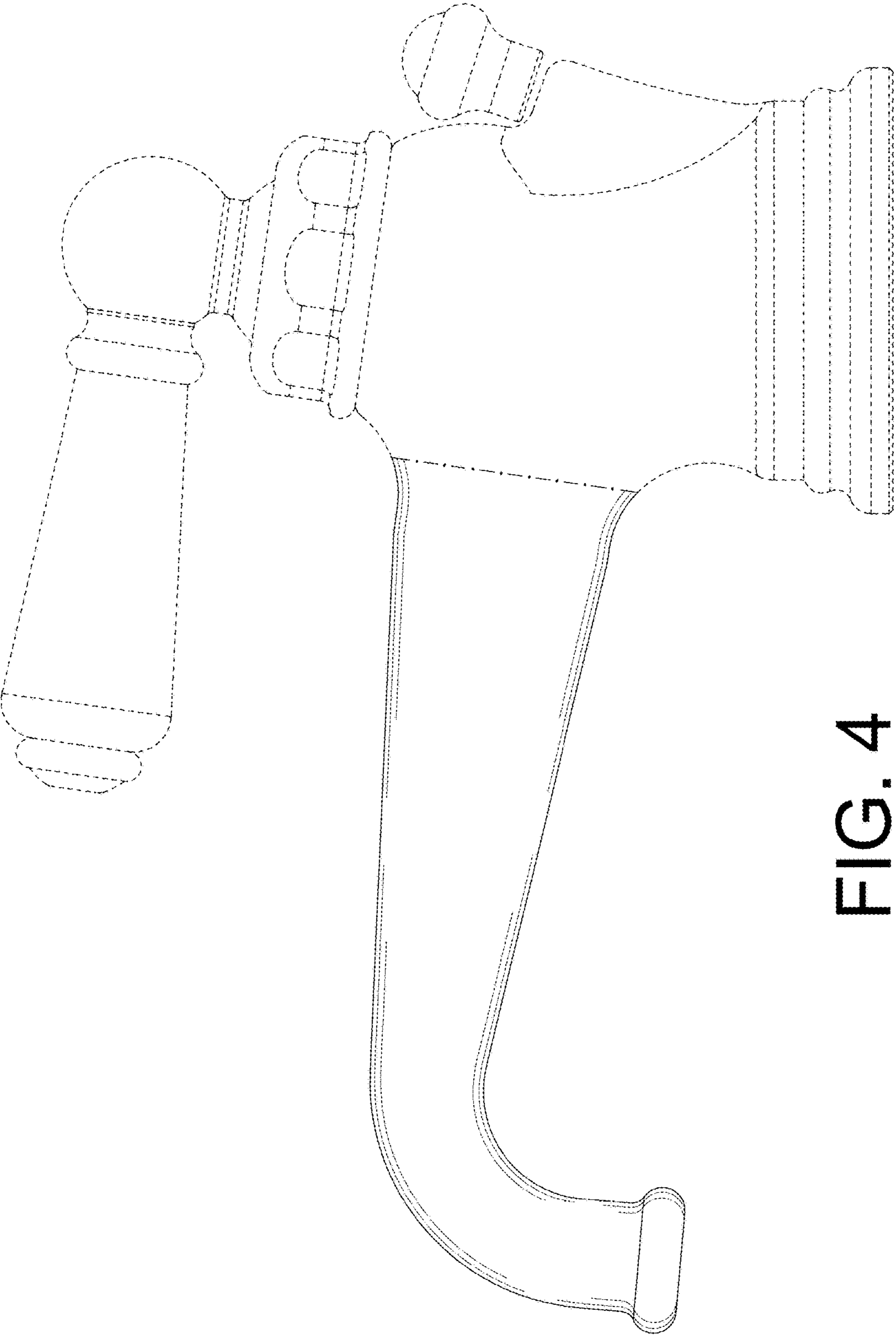


FIG. 4

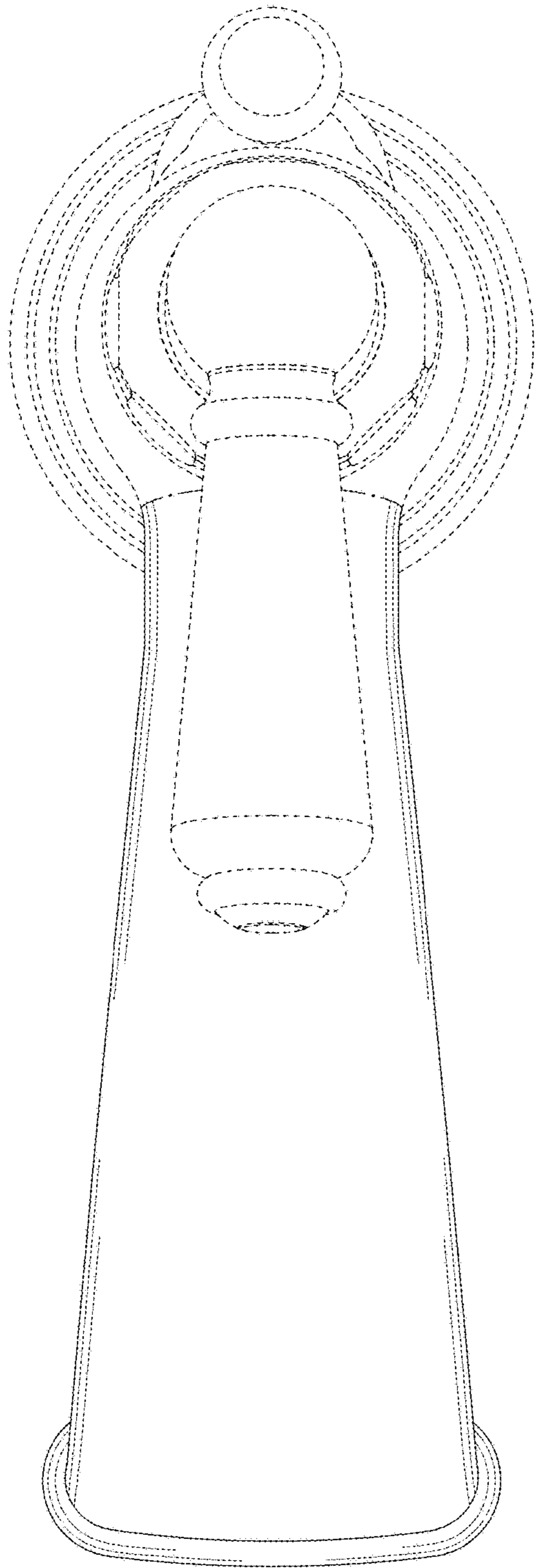


FIG. 5

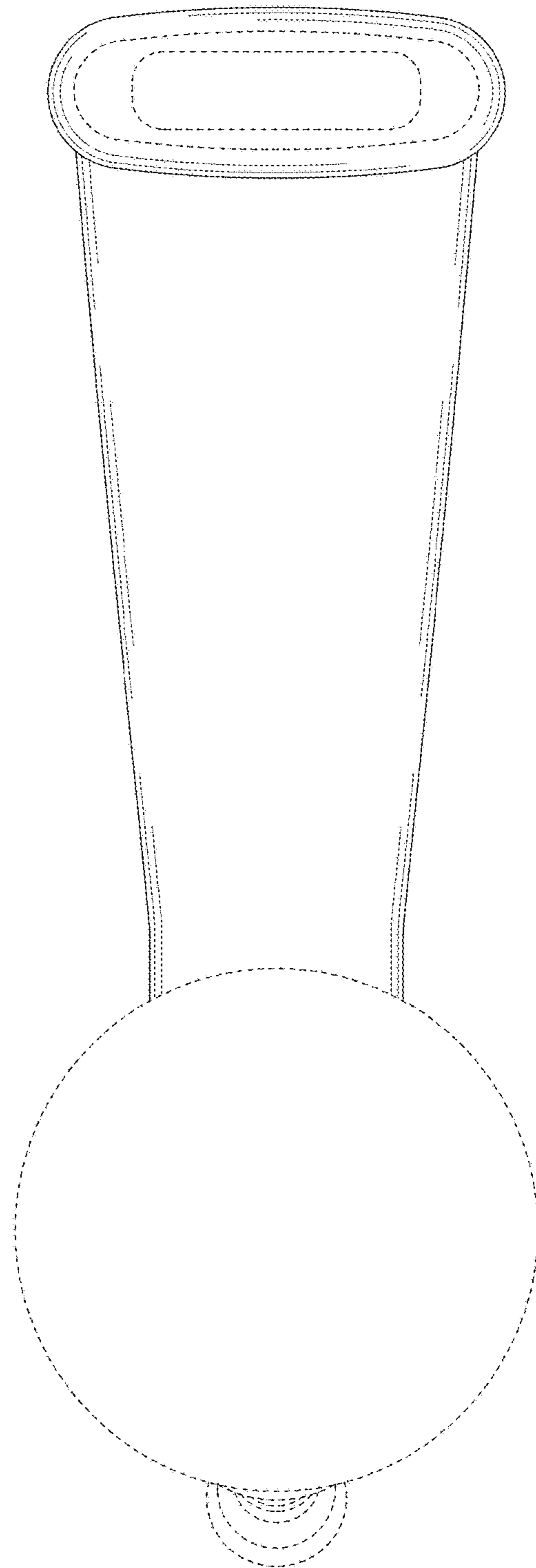


FIG. 6