

US00D832402S

(12) **United States Design Patent** (10) **Patent No.:** **US D832,402 S**
Lance et al. (45) **Date of Patent:** **** Oct. 30, 2018**

(54) **SHOWER CONTROLLER**

8,416,198 B2 * 4/2013 Rathnam G06F 3/03547
345/156

(71) Applicant: **Moen Incorporated**, North Olmsted,
OH (US)

D717,742 S * 11/2014 Larkin D13/162
2015/0221206 A1 8/2015 Schneider, II et al.

(72) Inventors: **Matthew J. Lance**, North Ridgeville,
OH (US); **Sanjeev S. Moghe**, Chagrin
Falls, OH (US); **Louise M. Quigley**,
Rocky River, OH (US); **Jennifer P.
Sedwick**, Lakewood, OH (US); **Steven
Wain Ward**, Brecksville, OH (US)

OTHER PUBLICATIONS

Moen, Kohler, Grohe, Tissino, Dornbracht, Hansgrohe, Delta, MrSteam,
and Graff products shown in the cited document were publicly
available prior to Sep. 9, 2015, 12 pages.

(73) Assignee: **Moen Incorporated**, North Olmsted,
OH (US)

* cited by examiner

(**) Term: **15 Years**

Primary Examiner — Robert A Delehanty

(21) Appl. No.: **29/577,171**

(74) *Attorney, Agent, or Firm* — Calfee, Halter &
Griswold LLP

(22) Filed: **Sep. 9, 2016**

(57) **CLAIM**

The ornamental design for a shower controller, as shown and
described.

(51) **LOC (11) Cl.** **23-01**

DESCRIPTION

(52) **U.S. Cl.**

USPC **D23/250**

(58) **Field of Classification Search**

USPC D23/249–254, 238–242, 228, 303–305,
D23/283, 275; D13/162–164;
D10/49–50

CPC G06F 3/03547

See application file for complete search history.

FIG. 1 is a perspective view of a shower controller of the
new design;

FIG. 2 is a front elevational view of the shower controller of
FIG. 1;

FIG. 3 is a left side elevational view of the shower controller
of FIG. 1;

FIG. 4 is a right side elevational view of the shower
controller of FIG. 1;

FIG. 5 is a top plan view of the shower controller of FIG. 1;
and,

FIG. 6 is a bottom plan view of the shower controller of FIG.
1.

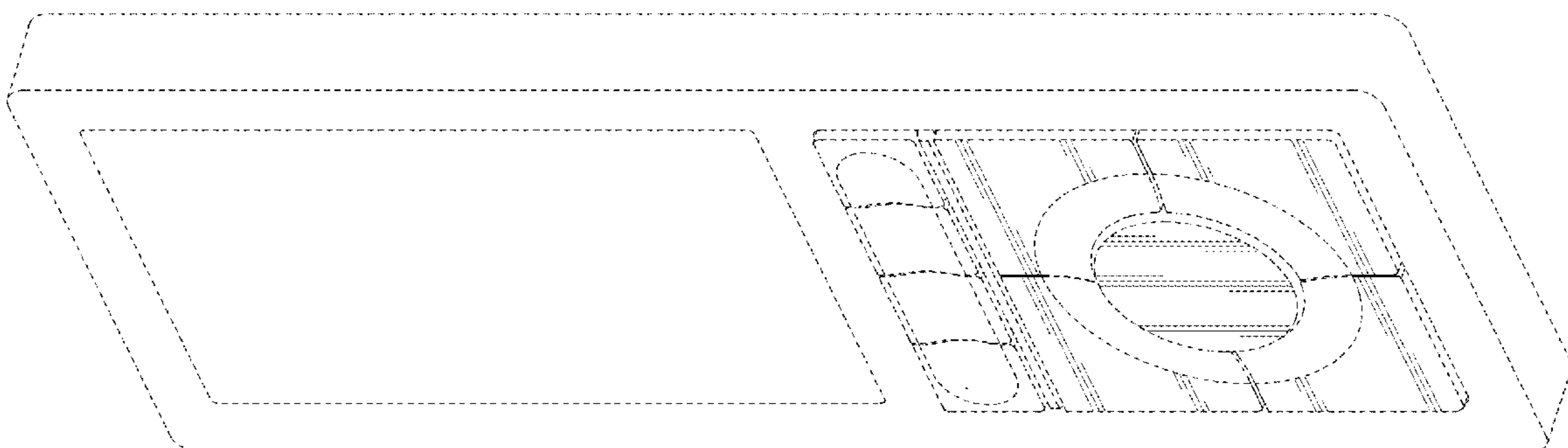
The portions of the Figures shown in broken lines are not
part of the claimed design and are for illustration only.

(56) **References Cited**

U.S. PATENT DOCUMENTS

D591,182 S * 4/2009 Schoenherr D10/49
D613,626 S * 4/2010 Wang D10/50
D631,946 S * 2/2011 Allard D10/49
D669,865 S * 10/2012 Gilbert D23/249
D669,866 S * 10/2012 Gilbert D10/49

1 Claim, 3 Drawing Sheets



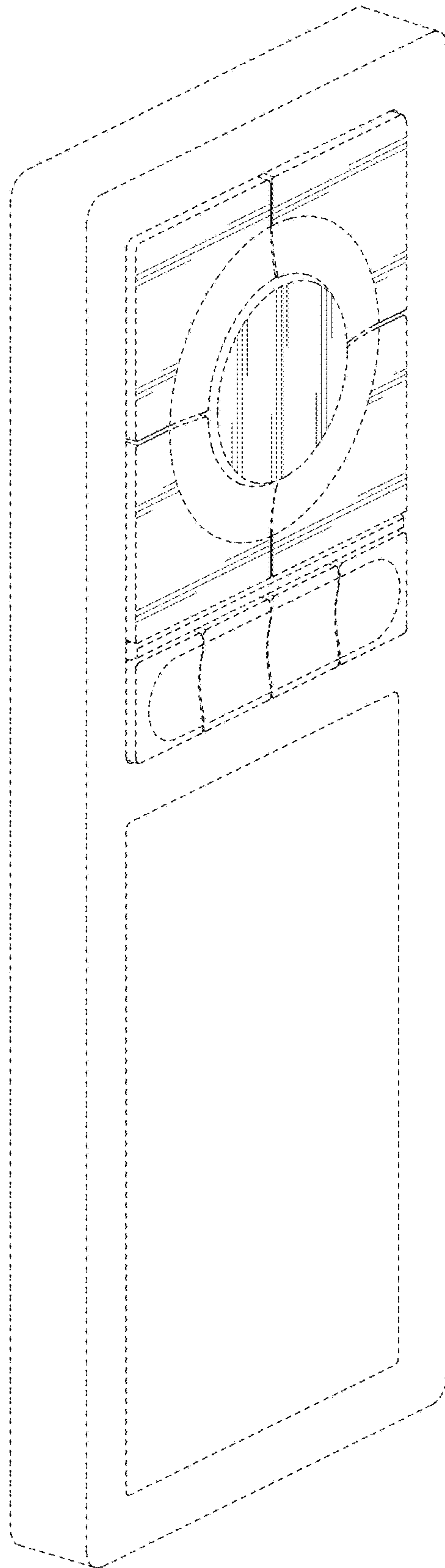


FIG. 1

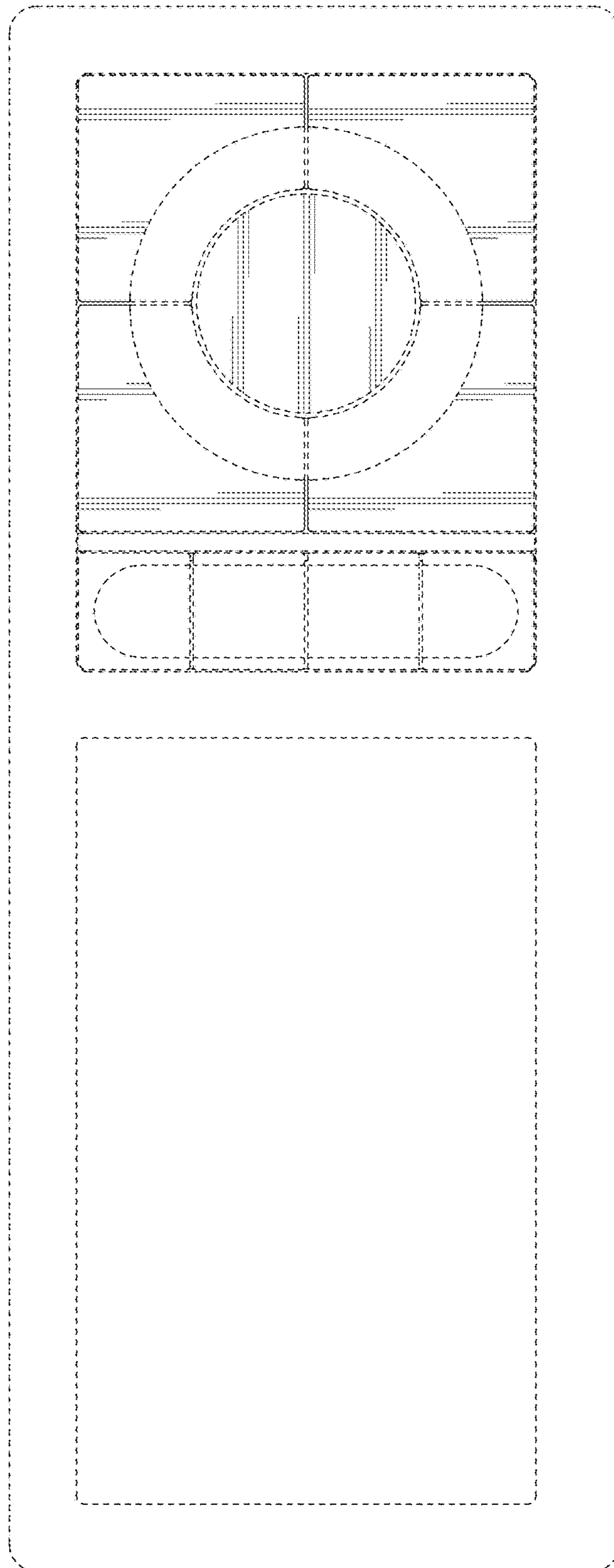


FIG. 2

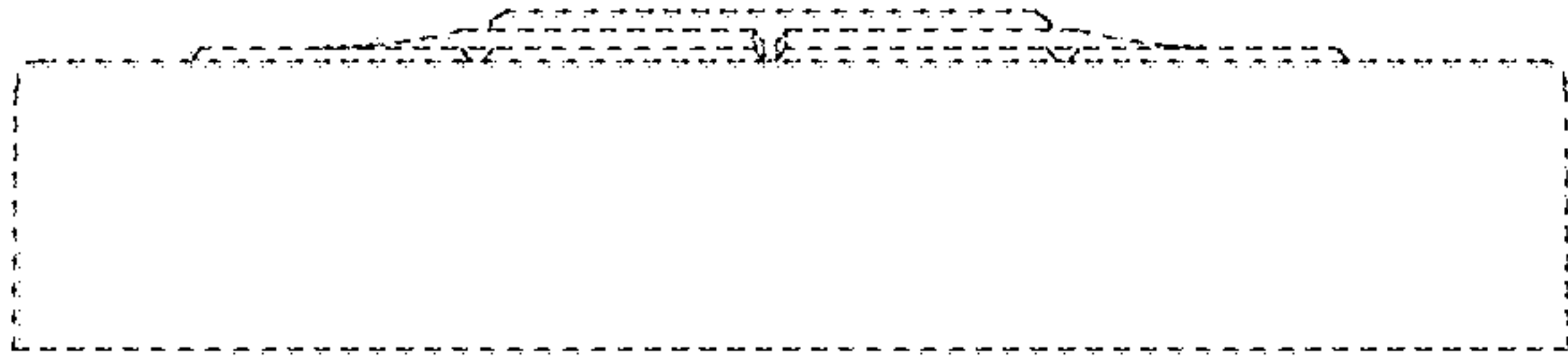


FIG. 3

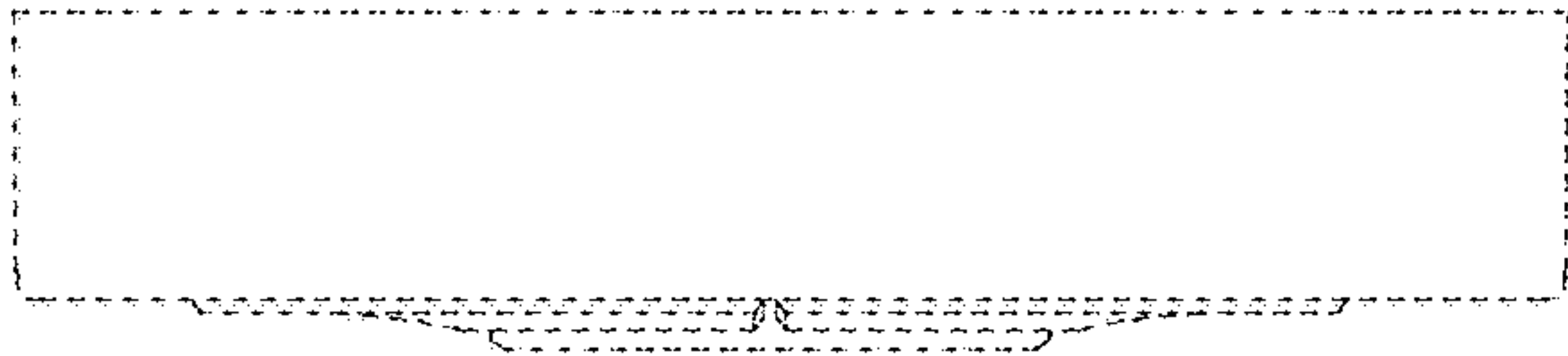


FIG. 4

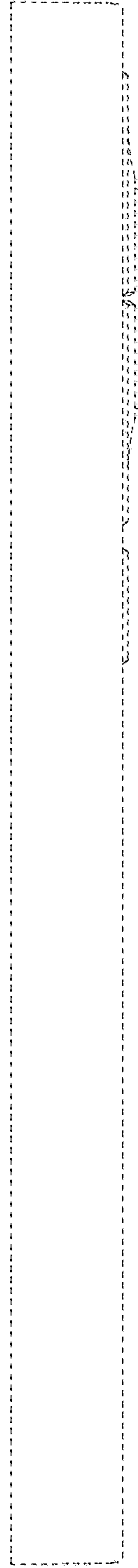


FIG. 5

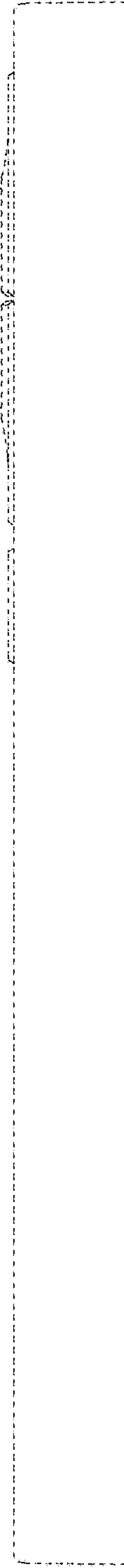


FIG. 6