

US00D832401S

(12) **United States Design Patent**
Garuti et al.

(10) **Patent No.:** **US D832,401 S**

(45) **Date of Patent:** **** Oct. 30, 2018**

(54) **TAP**

(71) Applicant: **CRISTINA S.r.l.**, Gozzano (IT)

(72) Inventors: **Andrea Garuti**, Corsico (IT); **Manuela Buseti**, Corsico (IT); **Matteo Redaelli**, Inverigo (IT)

(73) Assignee: **CRISTINA S.R.L.**, Gozzano (IT)

(**) Term: **15 Years**

(21) Appl. No.: **29/601,816**

(22) Filed: **Apr. 26, 2017**

(30) **Foreign Application Priority Data**

Oct. 31, 2016 (EM) 003441559-0001

(51) **LOC (11) Cl.** **23-01**

(52) **U.S. Cl.**
USPC **D23/238**

(58) **Field of Classification Search**

USPC D23/250, 254, 238-242, 249, 255, 257;
D8/300, 308, 312; D6/550

CPC Y10T 137/9464
See application file for complete search history.

(56) **References Cited**

U.S. PATENT DOCUMENTS

D518,153 S * 3/2006 Theberge D23/255
D535,723 S * 1/2007 Veltz D23/238
D621,478 S * 8/2010 Kulig D23/242

D627,858 S * 11/2010 Hanna D23/250
D636,853 S * 4/2011 Yu D23/238
D648,003 S * 11/2011 Gao D23/255
D663,805 S * 7/2012 Downey D23/252
D707,056 S * 6/2014 Gilbert D6/550
D805,163 S * 12/2017 Schoenherr D23/238
D809,628 S * 2/2018 Schoenherr D23/238
D813,354 S * 3/2018 Garland D23/255

* cited by examiner

Primary Examiner — Robert A Delehanty

(74) *Attorney, Agent, or Firm* — Mark Malek; Widerman Malek, PL

(57) **CLAIM**

The ornamental design for a tap, as shown and described.

DESCRIPTION

FIG. 1 is a perspective view of a tap according to the present invention.

FIG. 2 is a front elevation view of the tap illustrated in FIG. 1.

FIG. 3 is a rear elevation view of the tap illustrated in FIG. 1.

FIG. 4 is a left side elevation view of the tap illustrated in FIG. 1.

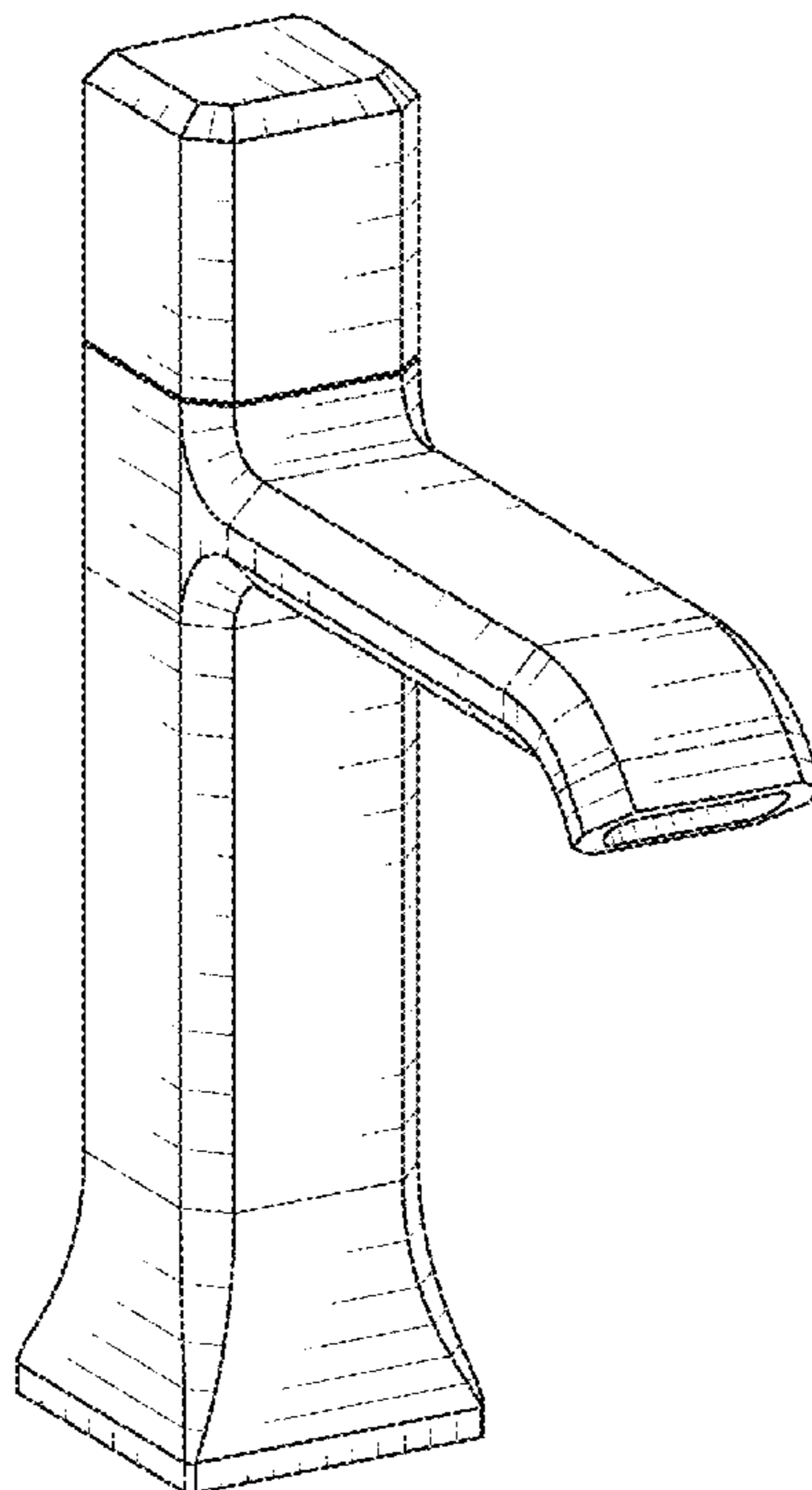
FIG. 5 is a right side view of the tap illustrated in FIG. 1.

FIG. 6 is a top plan view of the tap illustrated in FIG. 1; and,

FIG. 7 is a bottom plan view of the tap illustrated in FIG. 1.

The broken lines in FIGS. 3 and 7 represent unclaimed portions of the present invention.

1 Claim, 4 Drawing Sheets



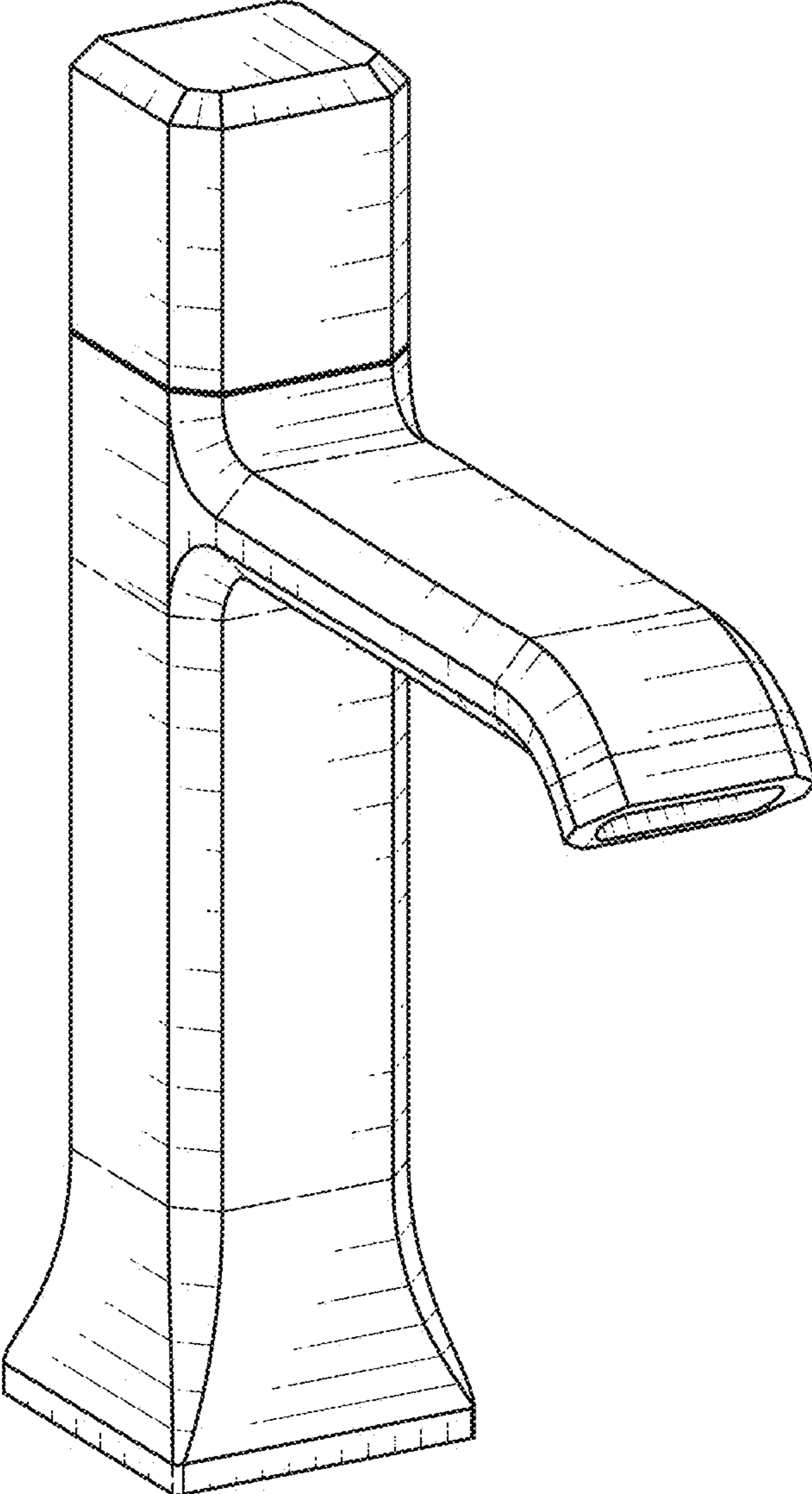


FIG. 1

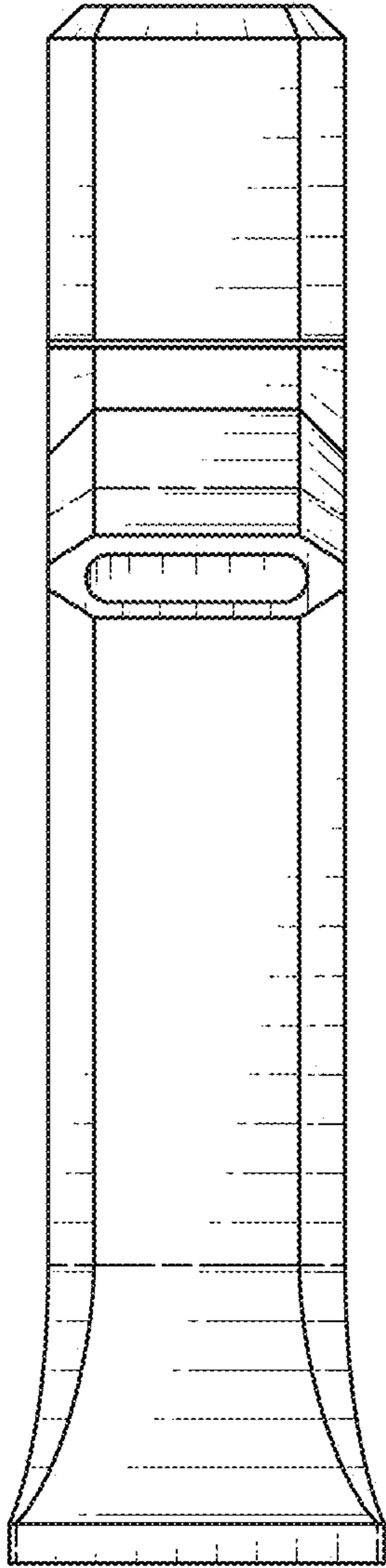


FIG. 2

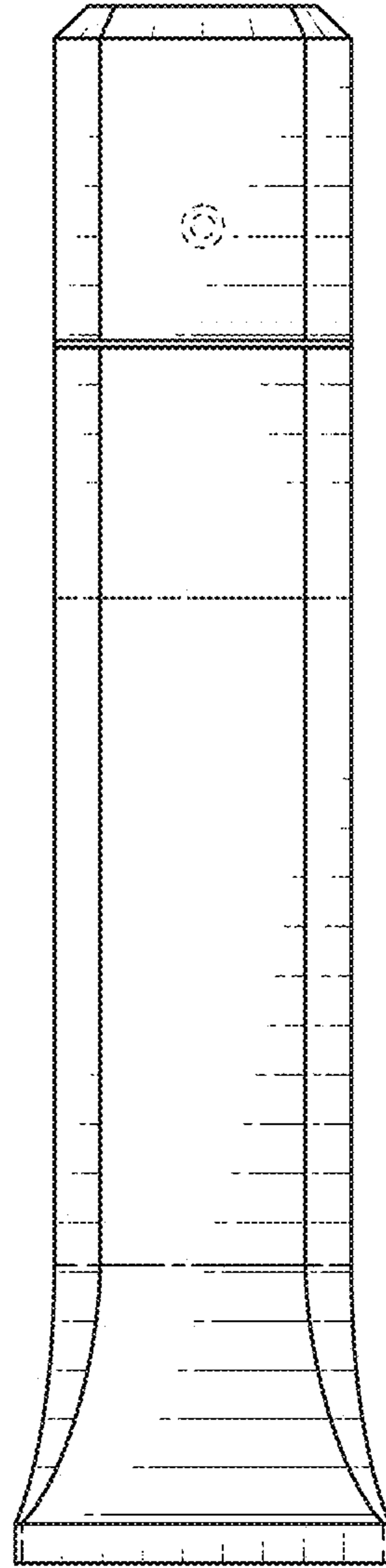


FIG. 3

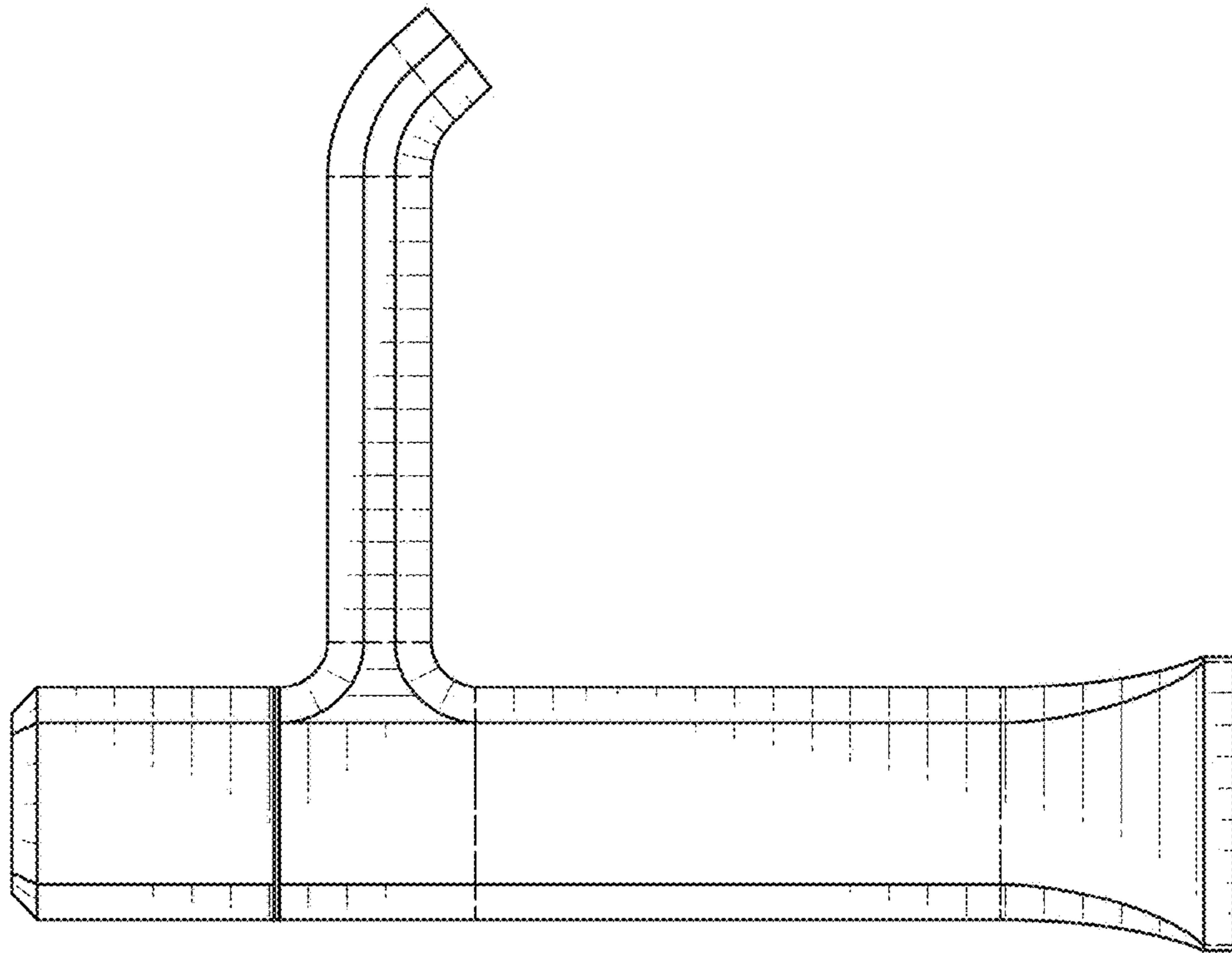


FIG. 5

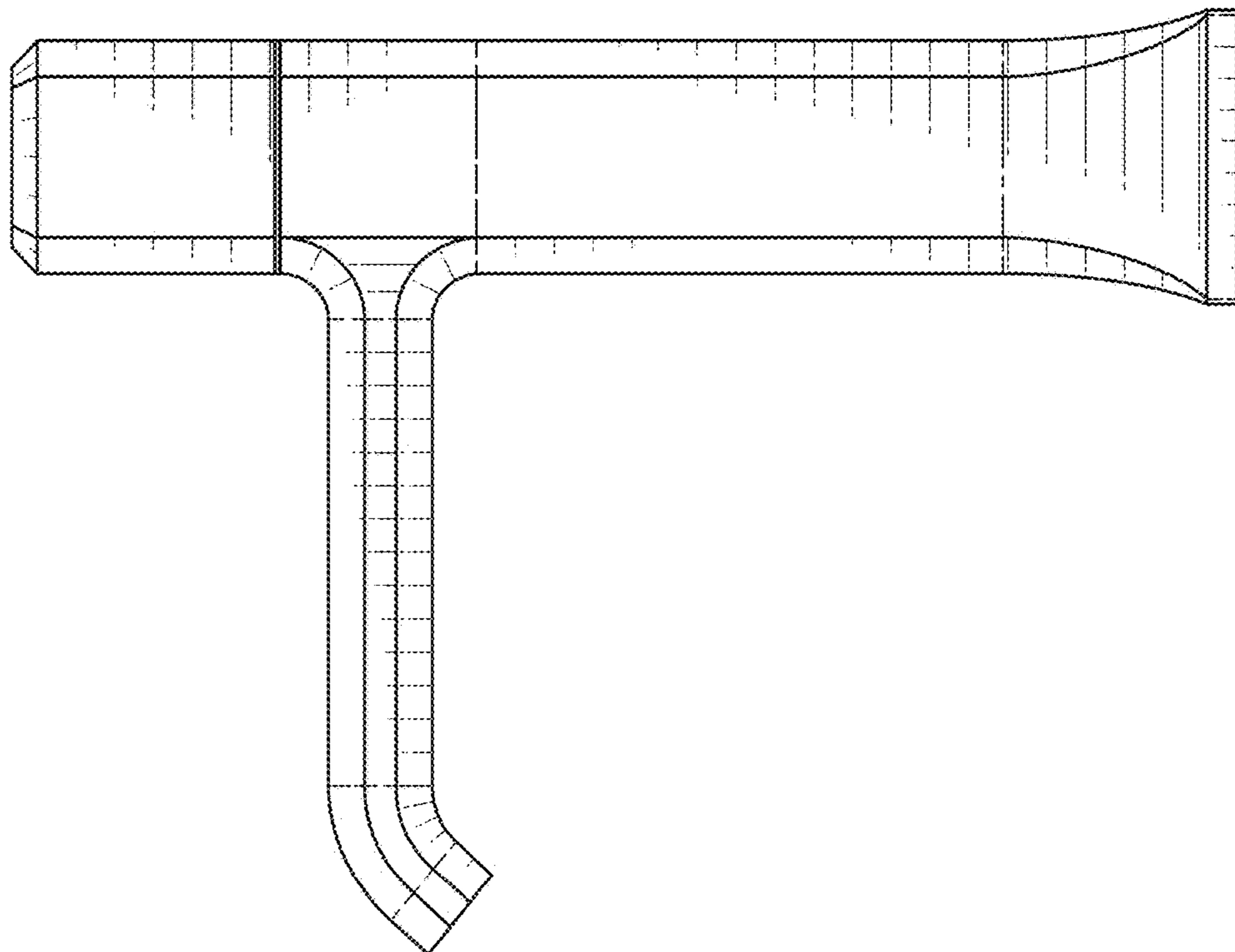


FIG. 4

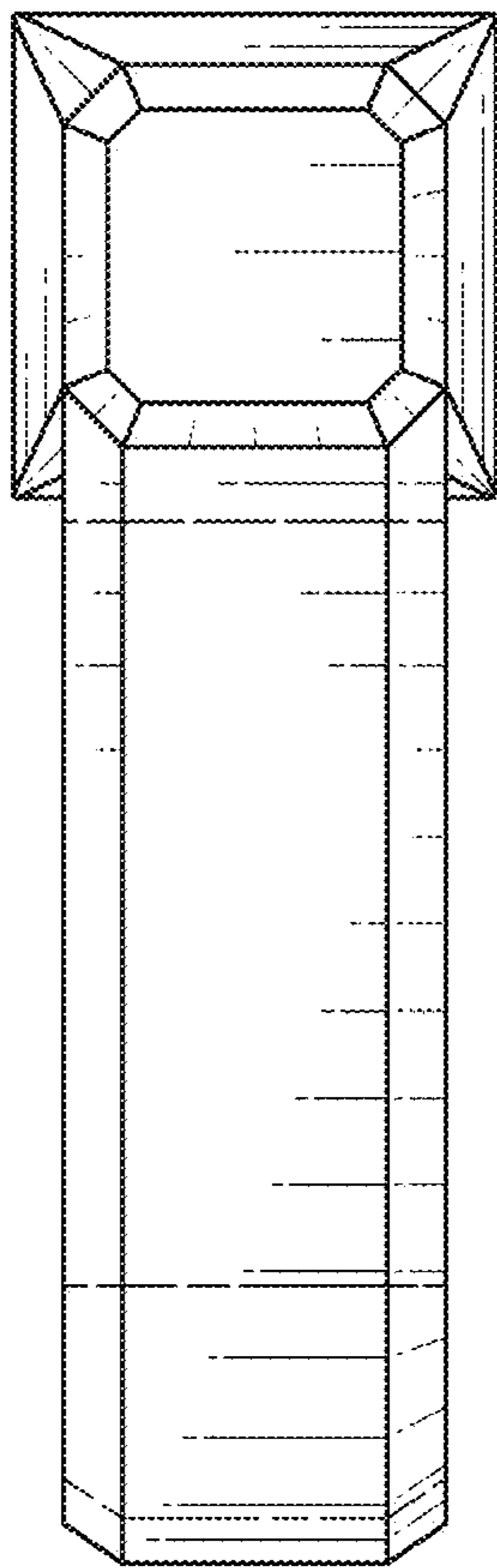


FIG. 6

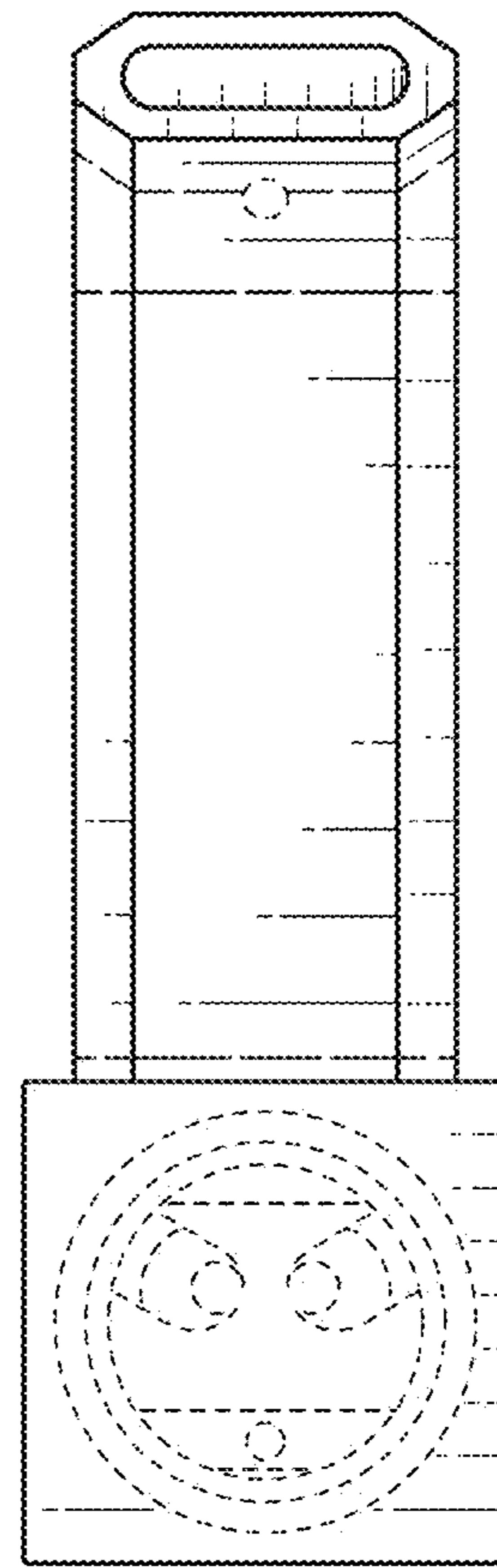


FIG. 7