

US00D832400S

(12) **United States Design Patent** (10) **Patent No.:** **US D832,400 S**
Sato et al. (45) **Date of Patent:** **** Oct. 30, 2018**

(54) **SOLENOID VALVE**
 (71) Applicant: **SMC CORPORATION**, Tokyo (JP)
 (72) Inventors: **Hideharu Sato**, Moriya (JP); **Yoshitada Doi**, Koshigaya (JP); **Takeshi Karibe**, Joso (JP); **Takayuki Murai**, Moriya (JP); **Yasushi Uchita**, Moriya (JP)

D413,650 S 9/1999 Sato et al.
 D417,485 S 12/1999 Sato et al.
 D419,642 S 1/2000 Hiramatsu et al.
 D438,596 S 3/2001 Takada et al.
 D615,618 S 5/2010 Someya
 D752,182 S 3/2016 Umeda et al.
 D796,007 S 8/2017 Ueno et al.
 D796,008 S 8/2017 Ueno et al.

(73) Assignee: **SMC CORPORATION**, Tokyo (JP)

(**) Term: **15 Years**

(21) Appl. No.: **29/654,685**

(22) Filed: **Jun. 26, 2018**

Related U.S. Application Data

(62) Division of application No. 29/613,571, filed on Aug. 11, 2017.

(30) **Foreign Application Priority Data**

Feb. 14, 2017 (CN) 2017 3 0039198

(51) **LOC (11) Cl.** **23-01**

(52) **U.S. Cl.**
 USPC **D23/233**

(58) **Field of Classification Search**
 USPC D23/233, 235, 237, 244-249;
 251/129.15, 65; 137/341, 487.5, 625.64,
 137/884
 CPC .. F16K 31/0675; F16K 27/029; F16K 27/048;
 F16K 31/02
 See application file for complete search history.

(56) **References Cited**

U.S. PATENT DOCUMENTS

D246,907 S 1/1978 Fialkowski et al.
 D410,523 S 6/1999 Ota

FOREIGN PATENT DOCUMENTS

JP 1094554 S 12/2000
 JP 1479959 S 9/2013
 JP 1479960 S 9/2013
 JP 1514855 S 1/2015
 JP 1515274 S 1/2015
 JP 1529637 S 7/2015

Primary Examiner — Cynthia Ramirez

Assistant Examiner — Gino Colan

(74) *Attorney, Agent, or Firm* — Birch, Stewart, Kolasch & Birch, LLP

(57) **CLAIM**

The ornamental design for a solenoid valve, as shown.

DESCRIPTION

FIG. 1 is a front, top and left side perspective view of a solenoid valve showing our new design;
 FIG. 2 is a rear, bottom and right side perspective view thereof;
 FIG. 3 is a front view thereof;
 FIG. 4 is a rear view thereof;
 FIG. 5 is a top plan view thereof;
 FIG. 6 is a bottom plan view thereof;
 FIG. 7 is a left side view thereof; and,
 FIG. 8 is a right side view thereof.

1 Claim, 8 Drawing Sheets

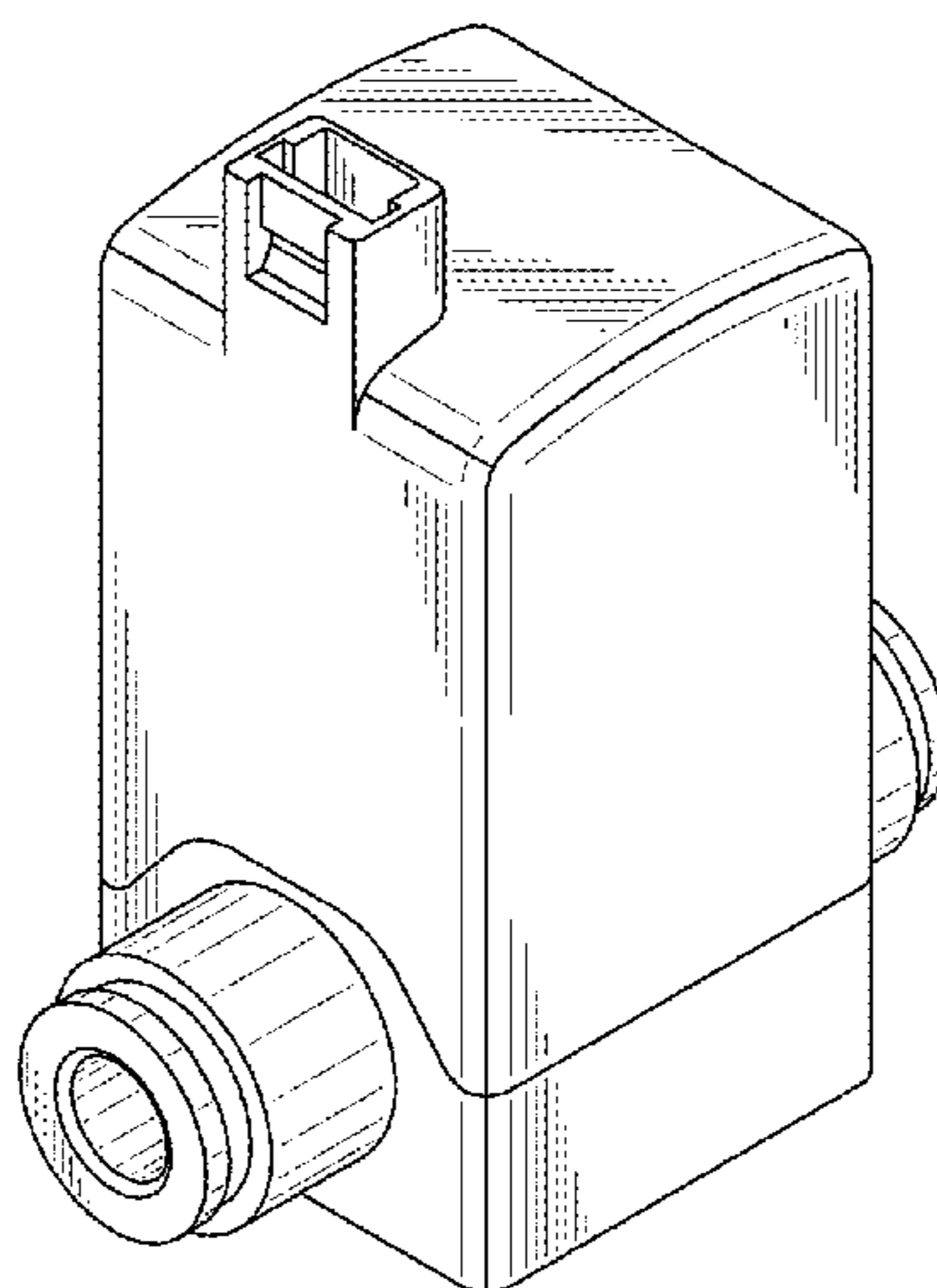


FIG. 1

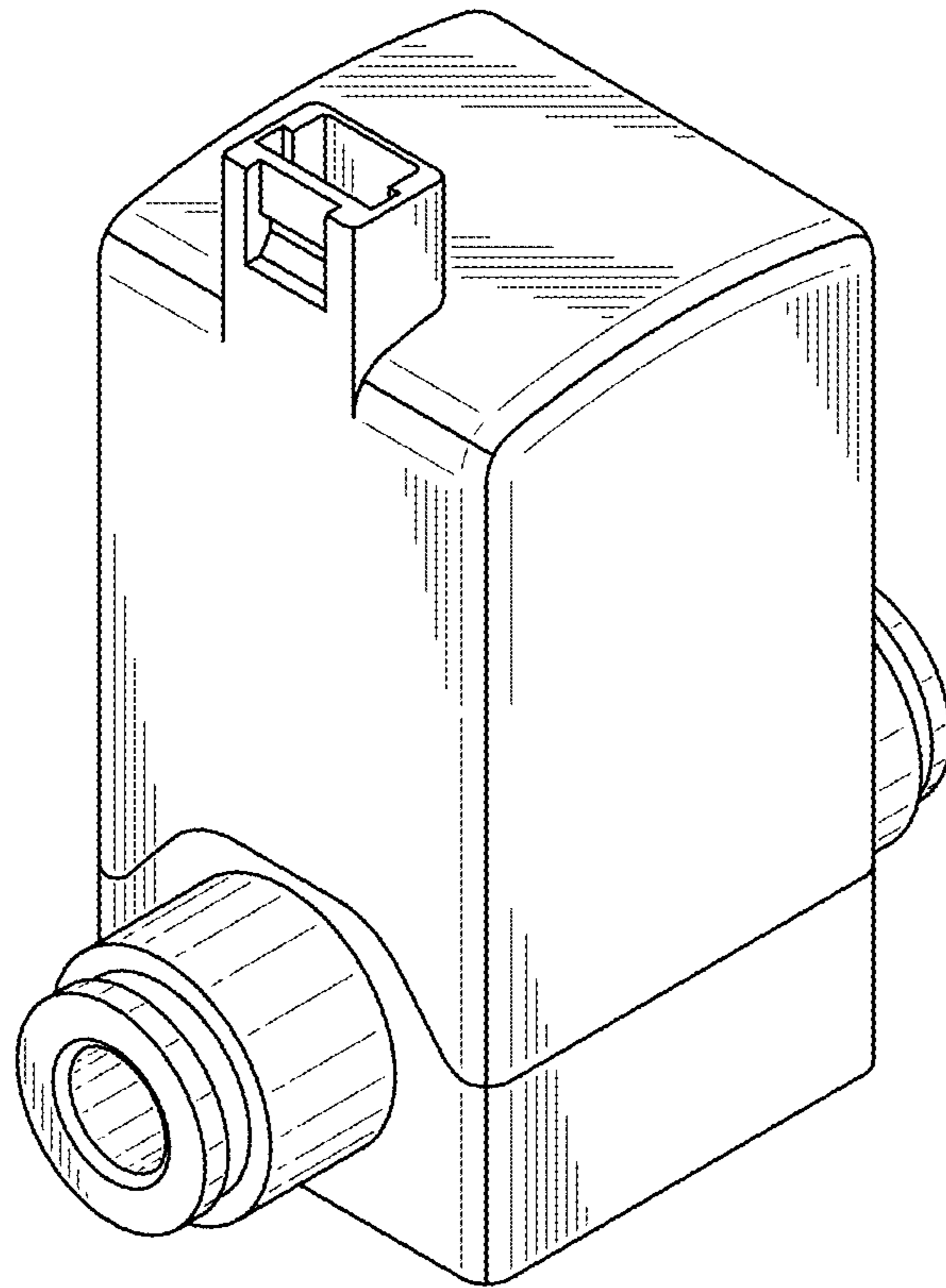


FIG. 2

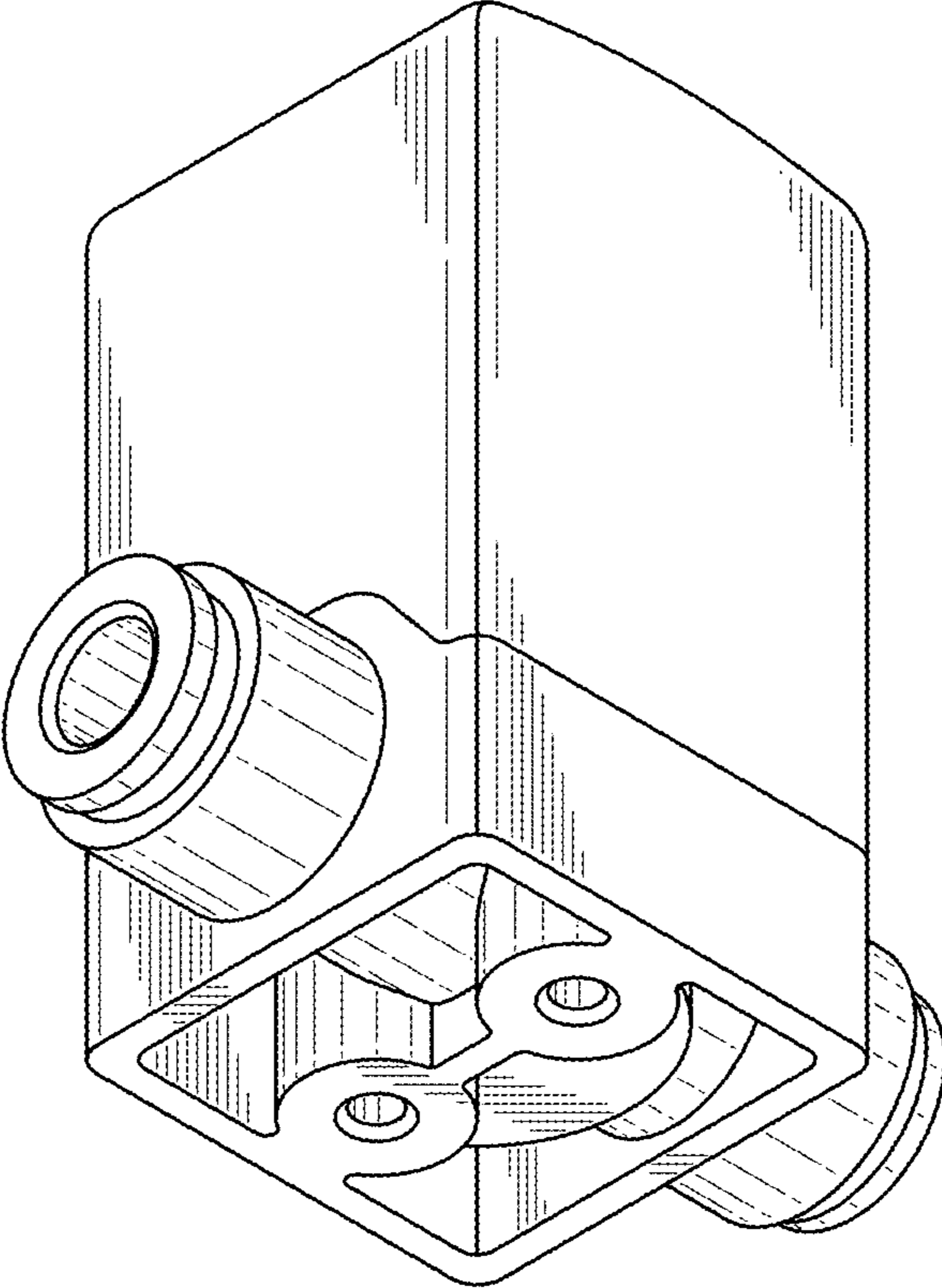


FIG. 3

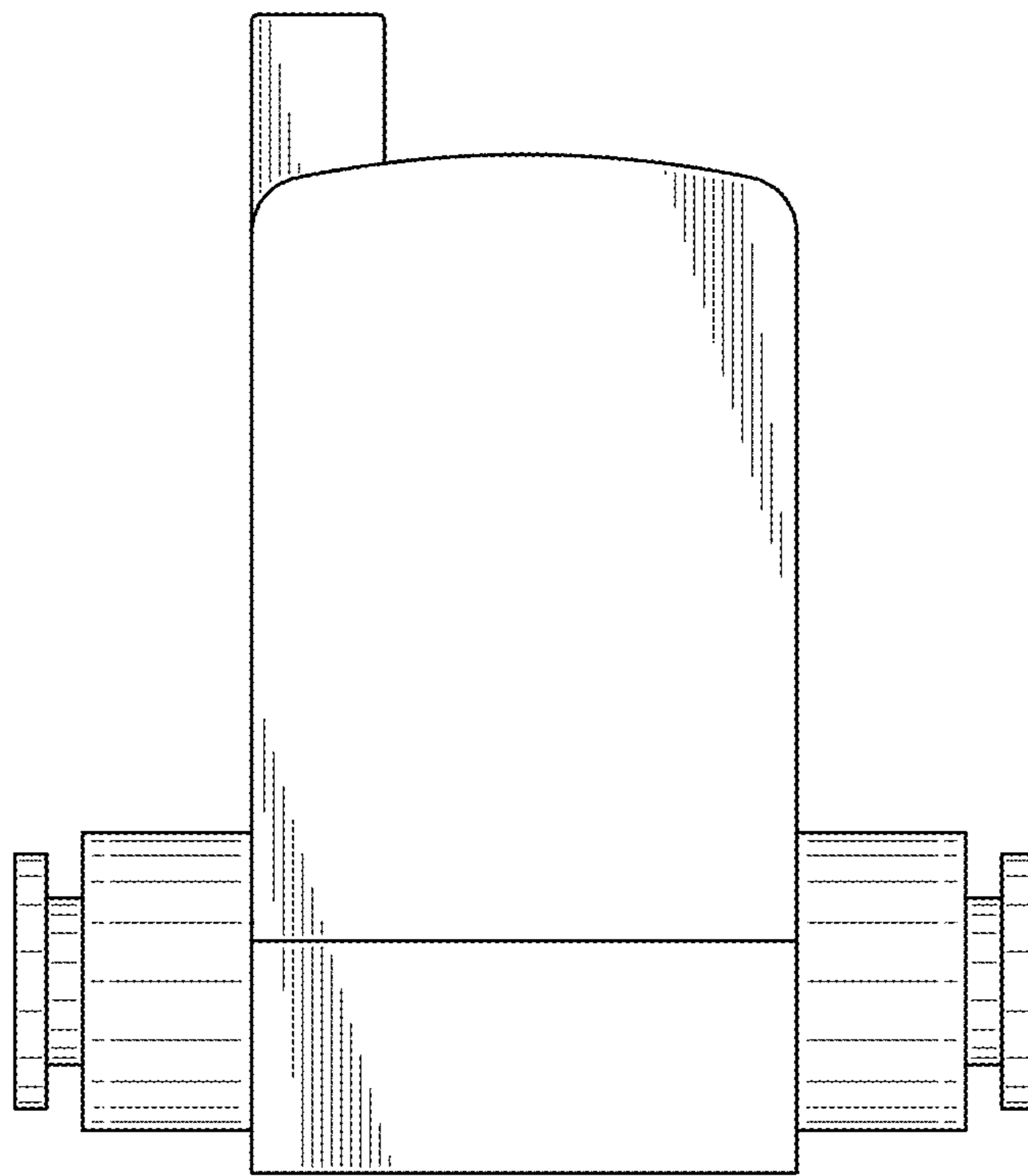


FIG. 4

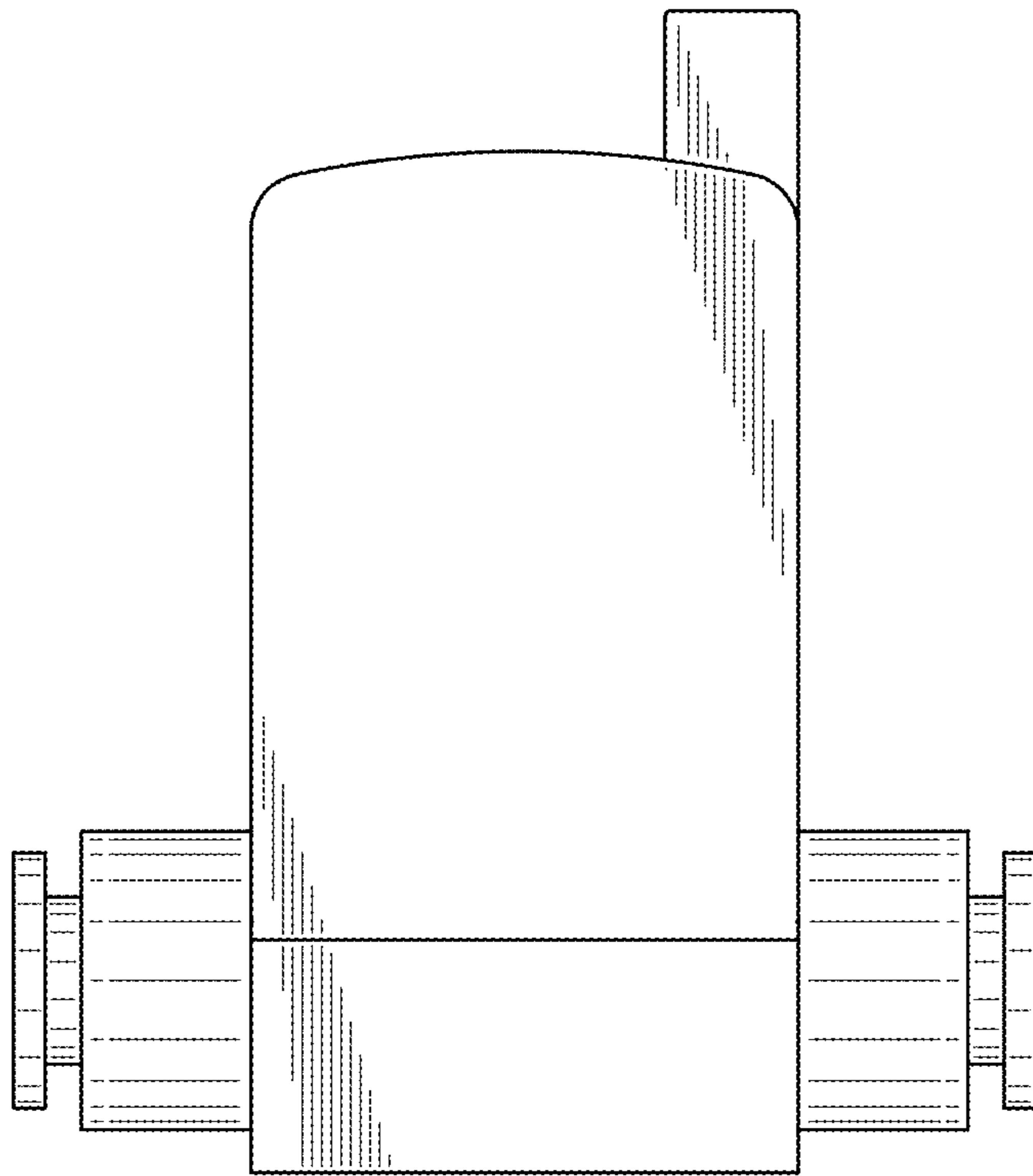


FIG. 5

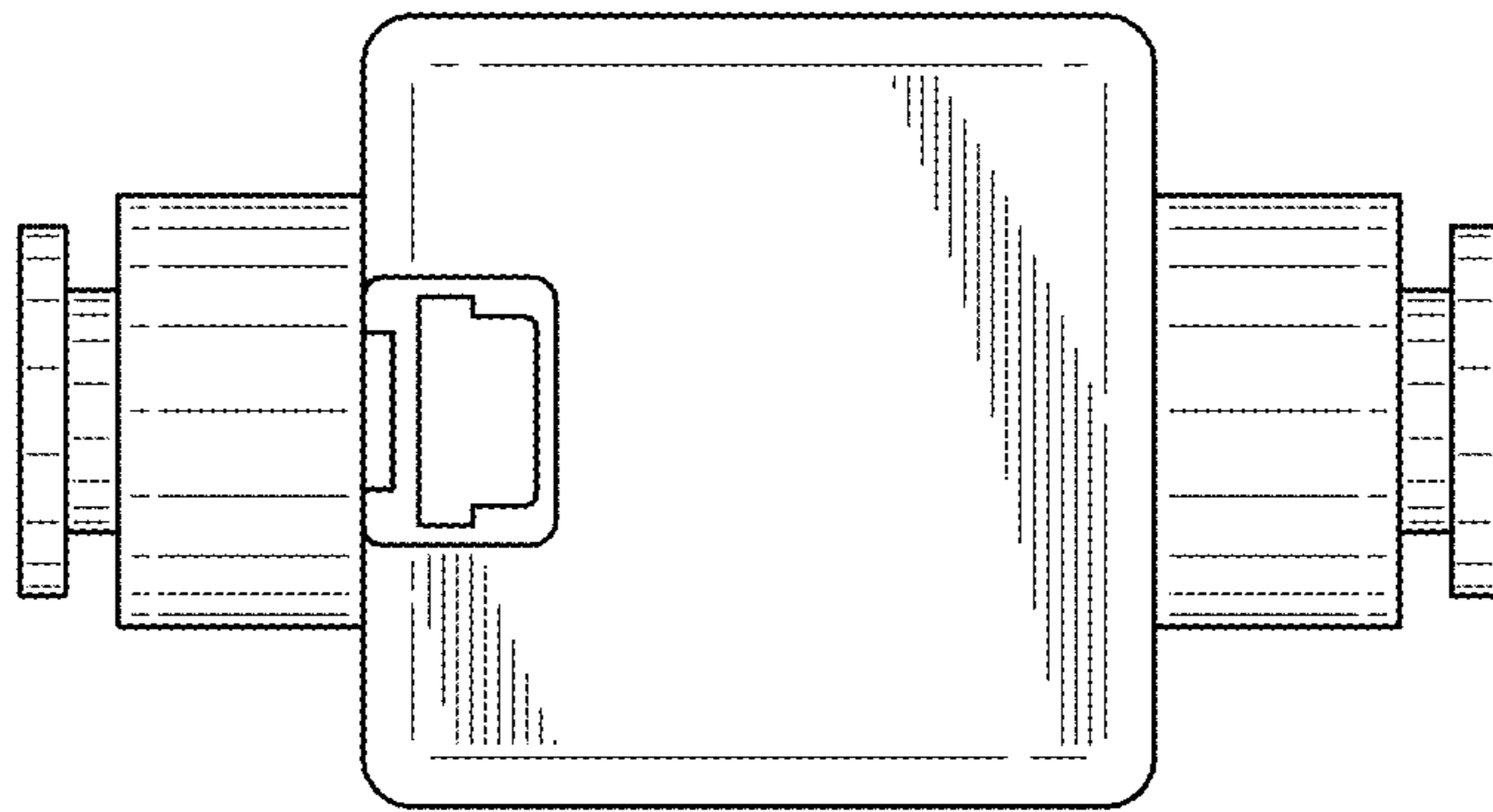


FIG. 6

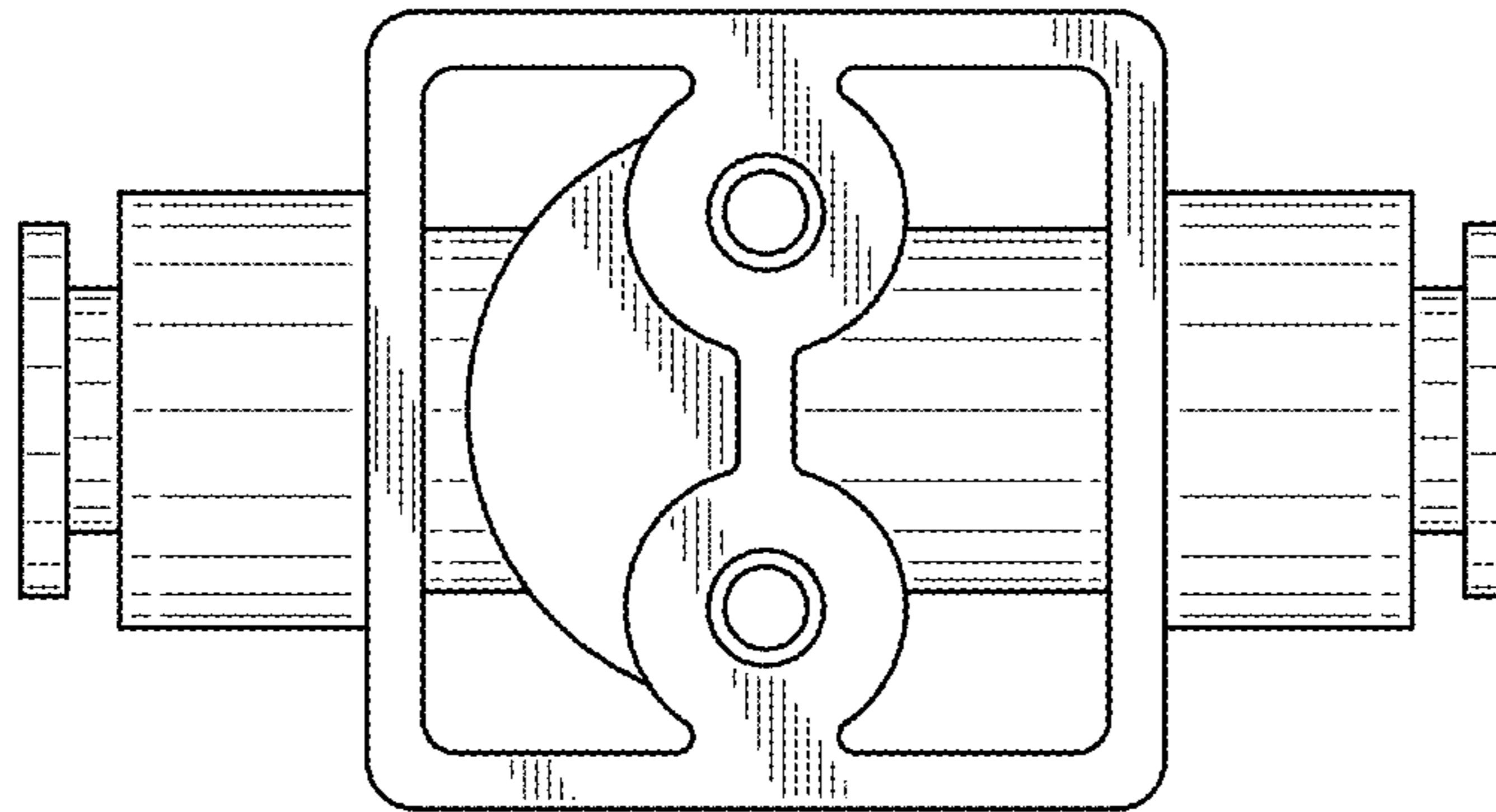


FIG. 7

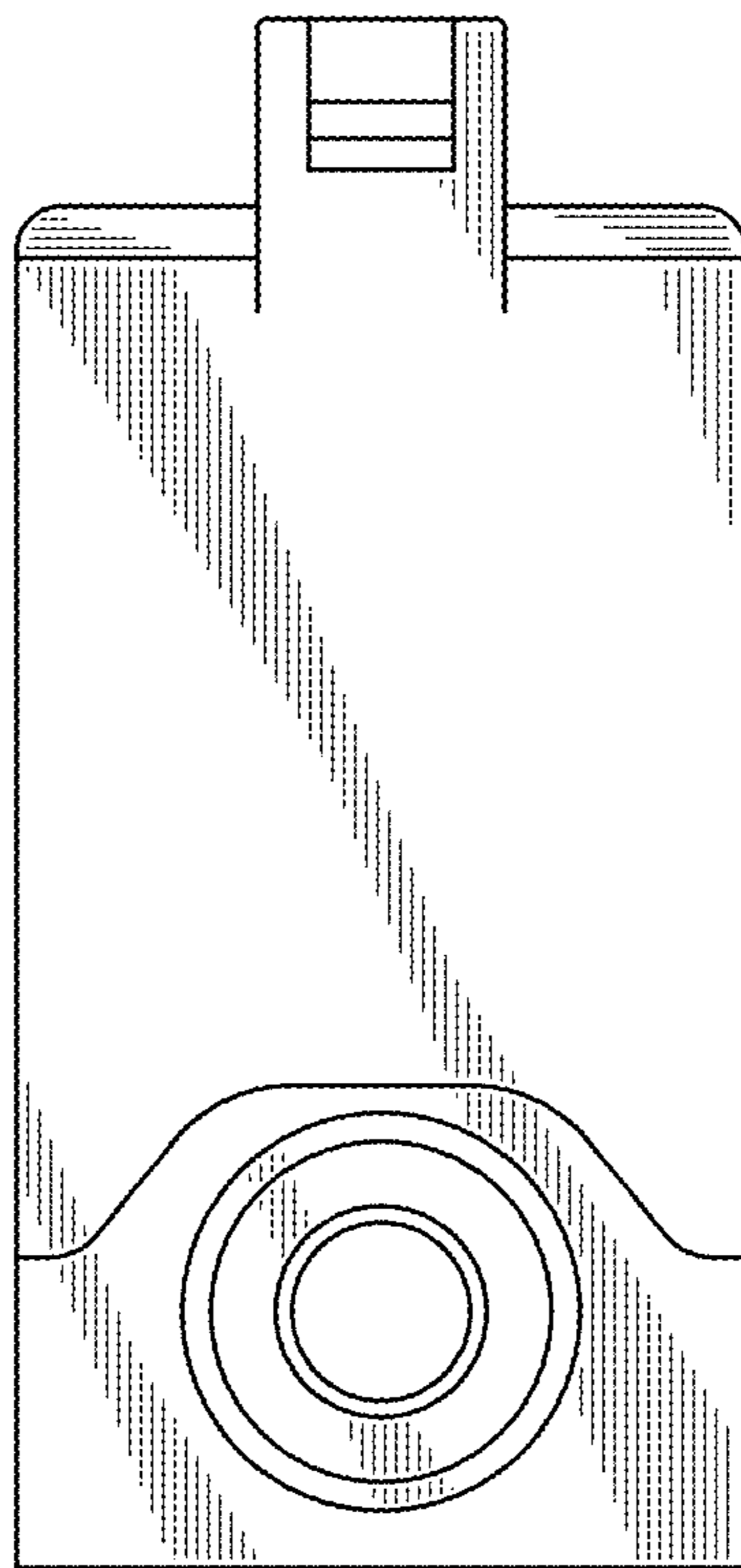


FIG. 8

