



US00D832399S

(12) **United States Design Patent** (10) **Patent No.:** **US D832,399 S**
Shimura et al. (45) **Date of Patent:** **** Oct. 30, 2018**

(54) **EXPANSION VALVE WITH SOLENOID VALVE**

(71) Applicant: **FUJIKOKI CORPORATION**, Tokyo (JP)

(72) Inventors: **Tomonori Shimura**, Tokyo (JP);
Masashi Hayasaka, Tokyo (JP);
Shintaro Tano, Tokyo (JP)

(73) Assignee: **FUJIKOKI CORPORATION**, Tokyo (JP)

(**) Term: **15 Years**

(21) Appl. No.: **29/582,401**

(22) Filed: **Oct. 27, 2016**

(30) **Foreign Application Priority Data**

May 24, 2016 (JP) 2016-011022

(51) **LOC (11) Cl.** **23-01**

(52) **U.S. Cl.**
USPC **D23/233**

(58) **Field of Classification Search**
USPC D23/233, 235, 237, 244-249; 62/467,
62/210, 292, 204, 115, 197, 222-225,
62/227, 504, 527; 236/92 B, 63-64;
251/129.15, 14, 64; 137/468, 12, 625.48
CPC B60H 1/00485; B60H 1/00885; B60H
1/3214; B60H 2001/3283; F24F 11/008;
F24F 2011/0082

See application file for complete search history.

(56) **References Cited**

U.S. PATENT DOCUMENTS

D494,657 S * 8/2004 Kobayashi D23/233
D494,658 S * 8/2004 Kobayashi D23/233

D502,252 S * 2/2005 Fukuda D23/233
D504,714 S * 5/2005 Fukuda D23/233
D529,990 S * 10/2006 Kobayashi D23/233
D532,080 S * 11/2006 Kobayashi D23/233
D546,921 S * 7/2007 Kobayashi D23/233
D648,000 S * 11/2011 Shimura D23/233
2001/0018830 A1 * 9/2001 Fukuda B60H 1/00485
62/210
2002/0026802 A1 * 3/2002 Yano F25B 41/062
62/210

* cited by examiner

Primary Examiner — Cynthia Ramirez

Assistant Examiner — Gino Colan

(74) *Attorney, Agent, or Firm* — Manabu Kanesaka

(57) **CLAIM**

The ornamental design for expansion valve with solenoid valve, as shown and described.

DESCRIPTION

FIG. 1 is a perspective view of an expansion valve with solenoid valve showing our new design; FIG. 2 is another perspective view thereof; FIG. 3 is a front view thereof; FIG. 4 is a rear view thereof; FIG. 5 is a right side view thereof; FIG. 6 is a left side view thereof; FIG. 7 is a top plan view thereof; and, FIG. 8 is a bottom view thereof.

The broken lines shown in the figures are included for the purpose of illustrating portions of the expansion valve with solenoid valve and form no part of the claimed design.

1 Claim, 8 Drawing Sheets

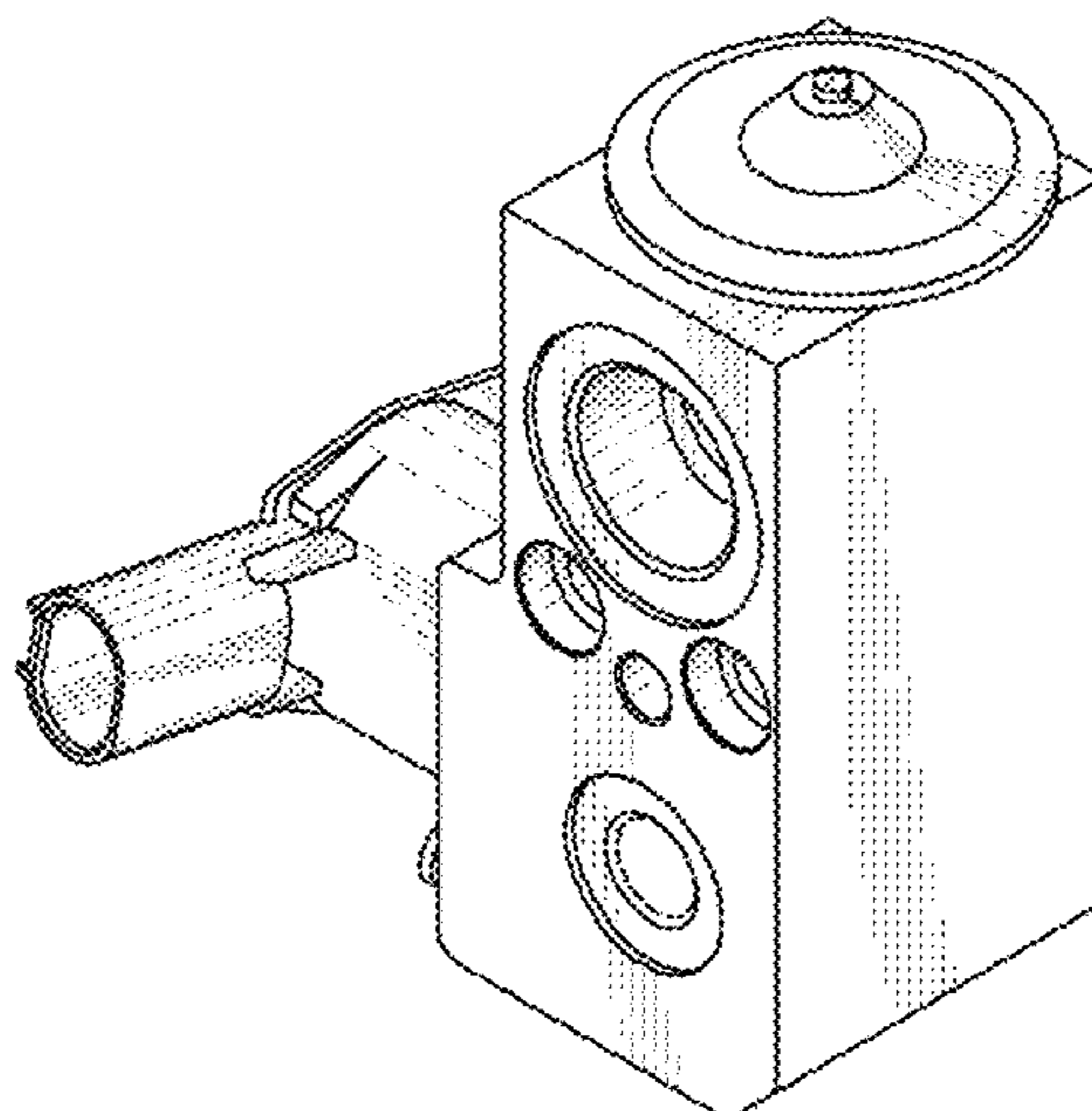


FIG. 1

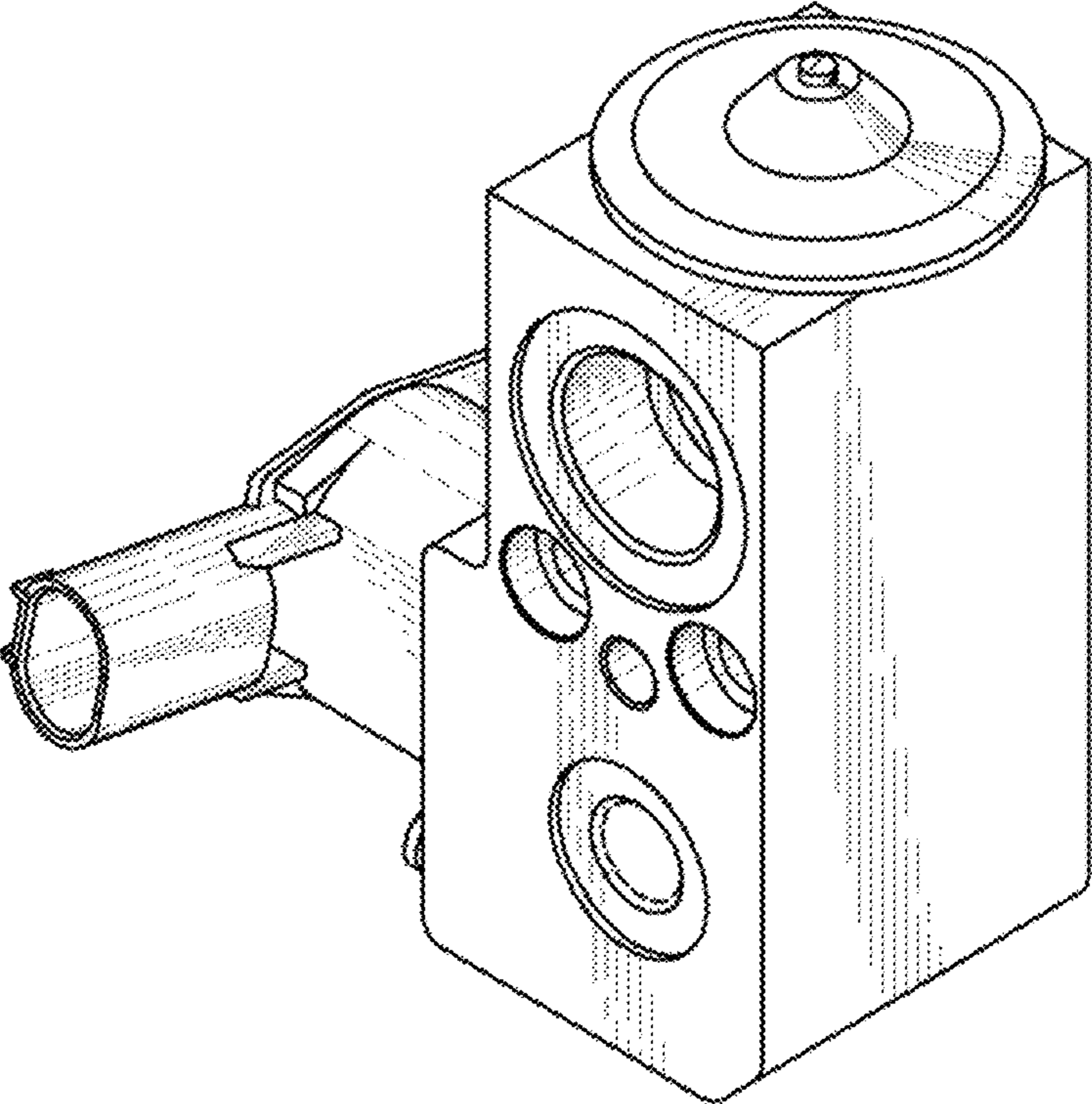


FIG. 2

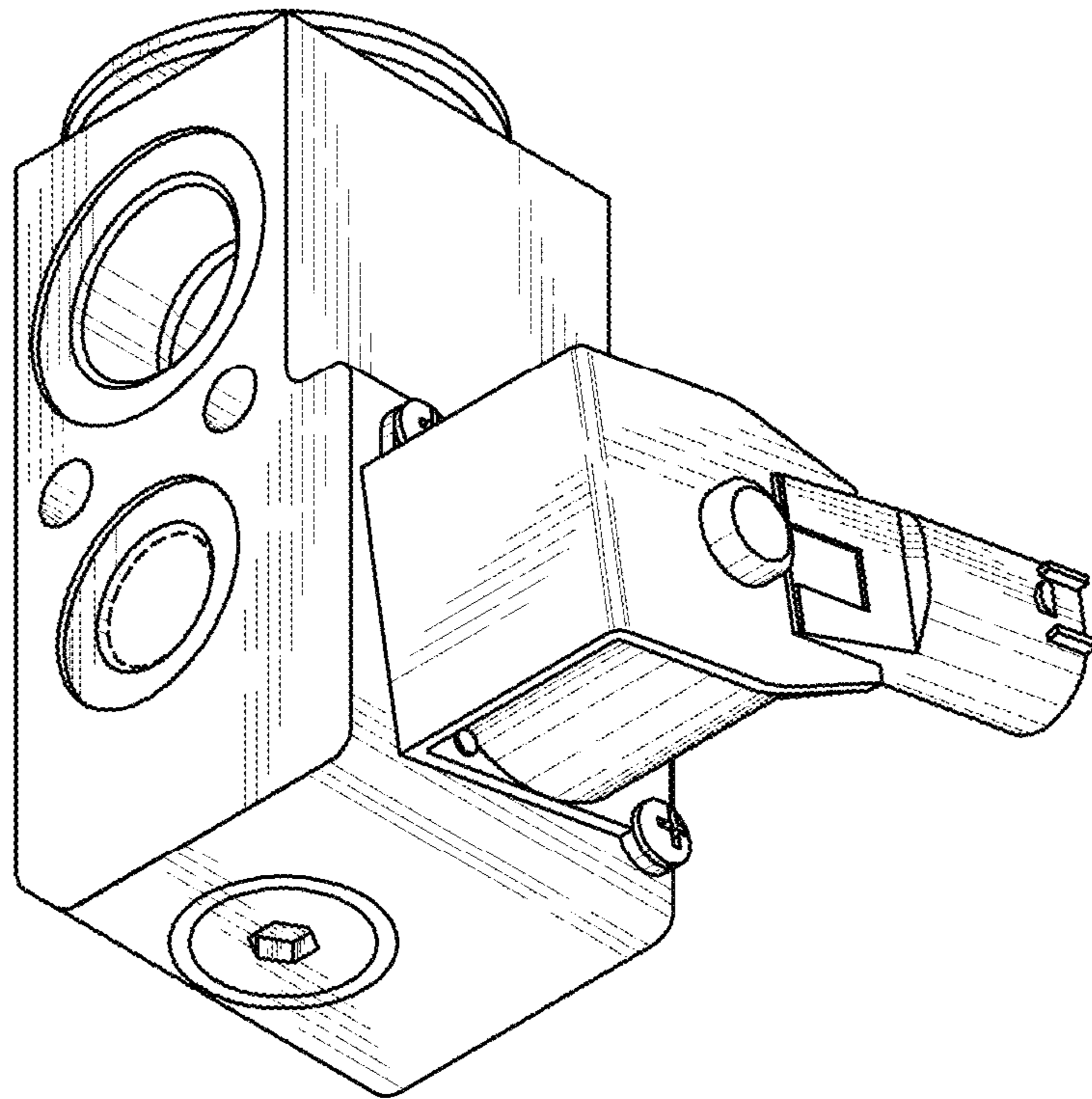


FIG. 3

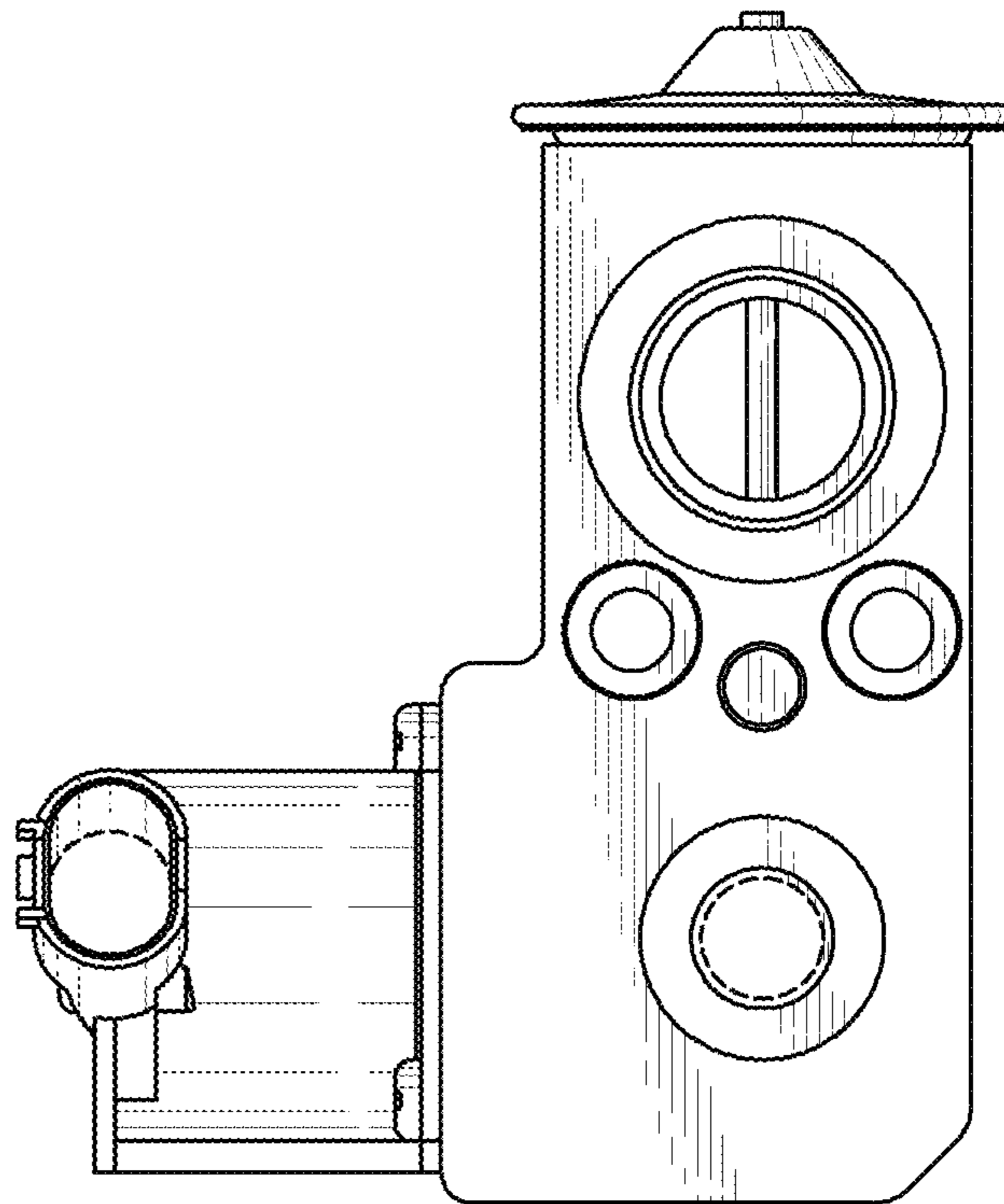


FIG. 4

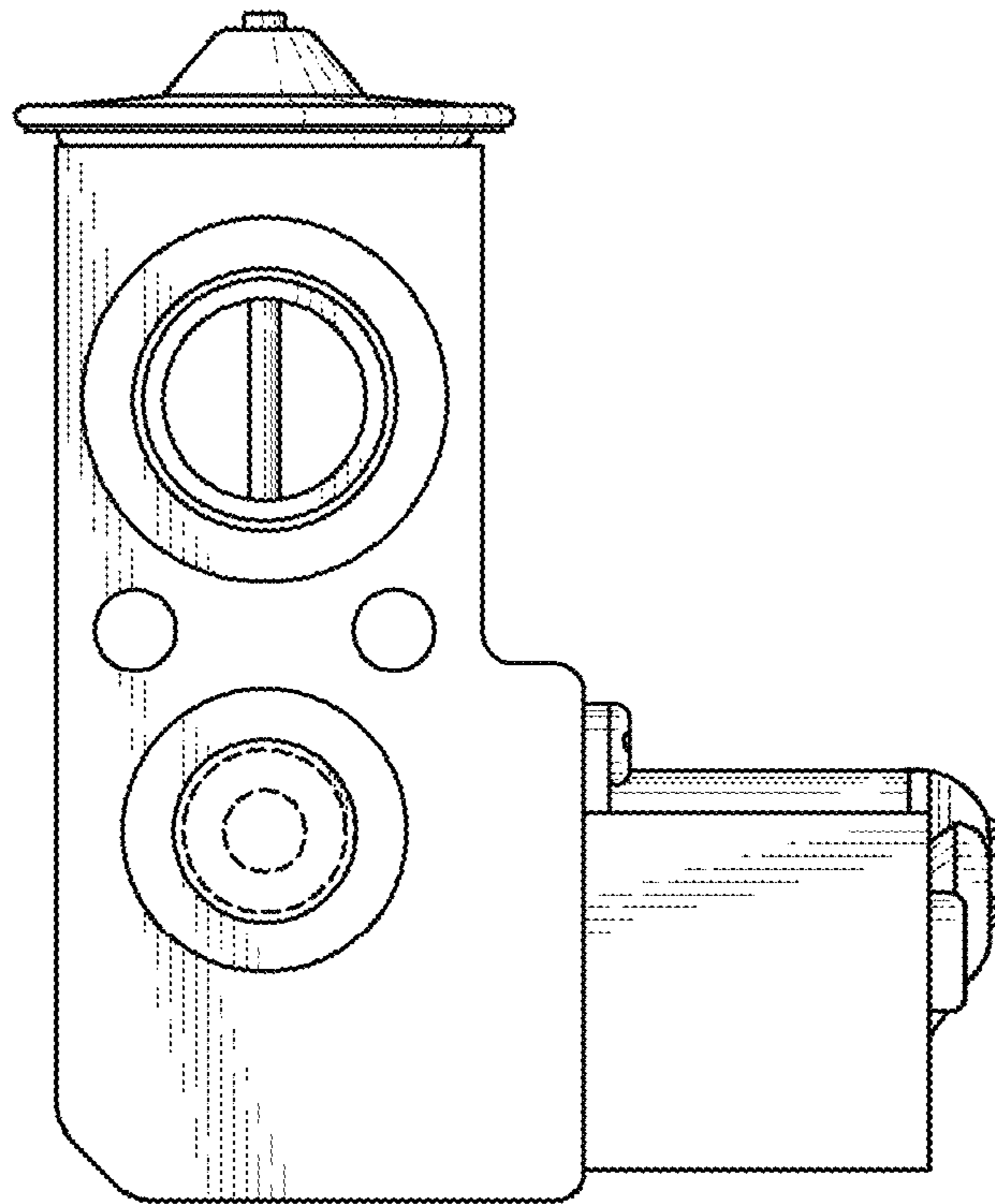


FIG. 5

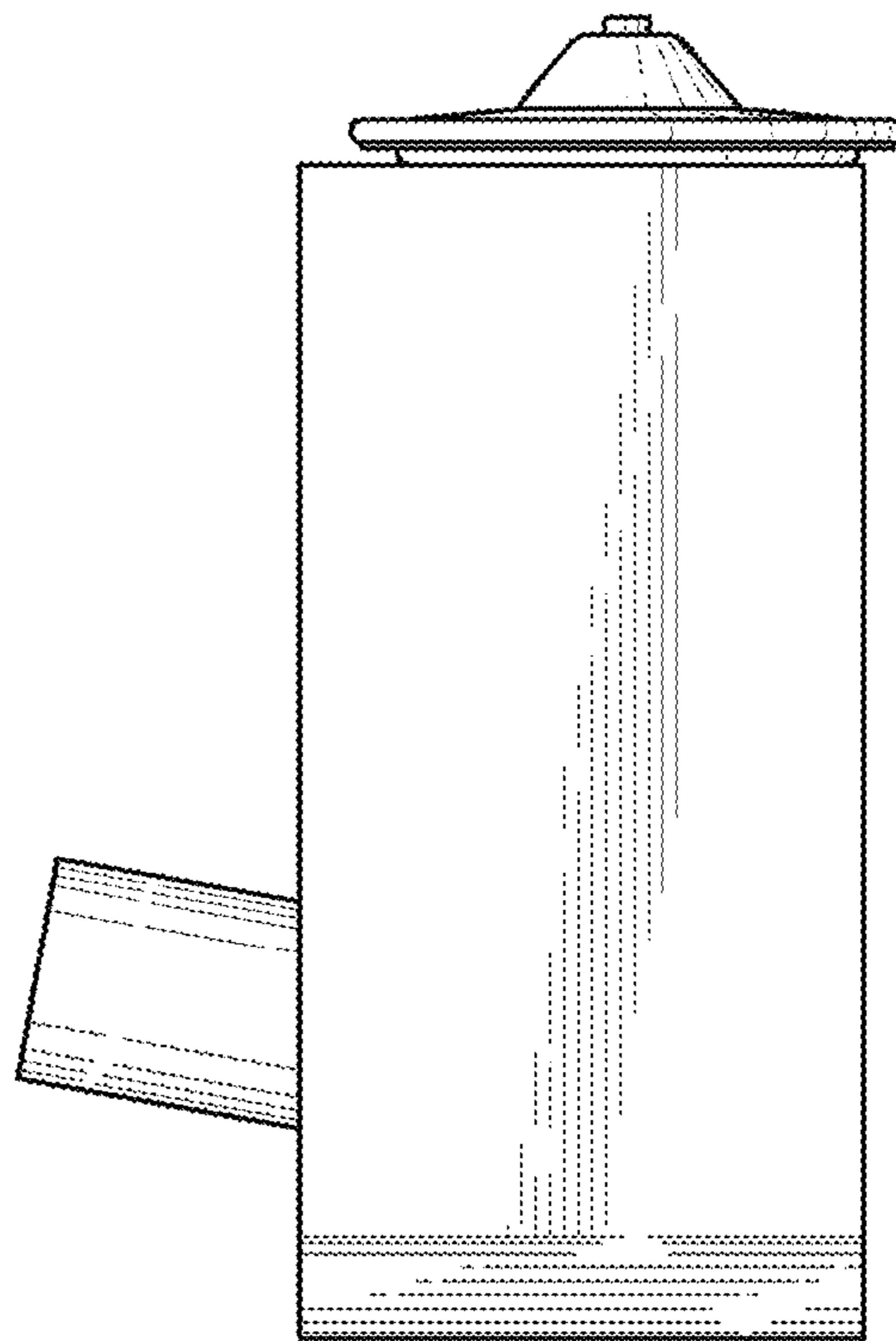


FIG. 6

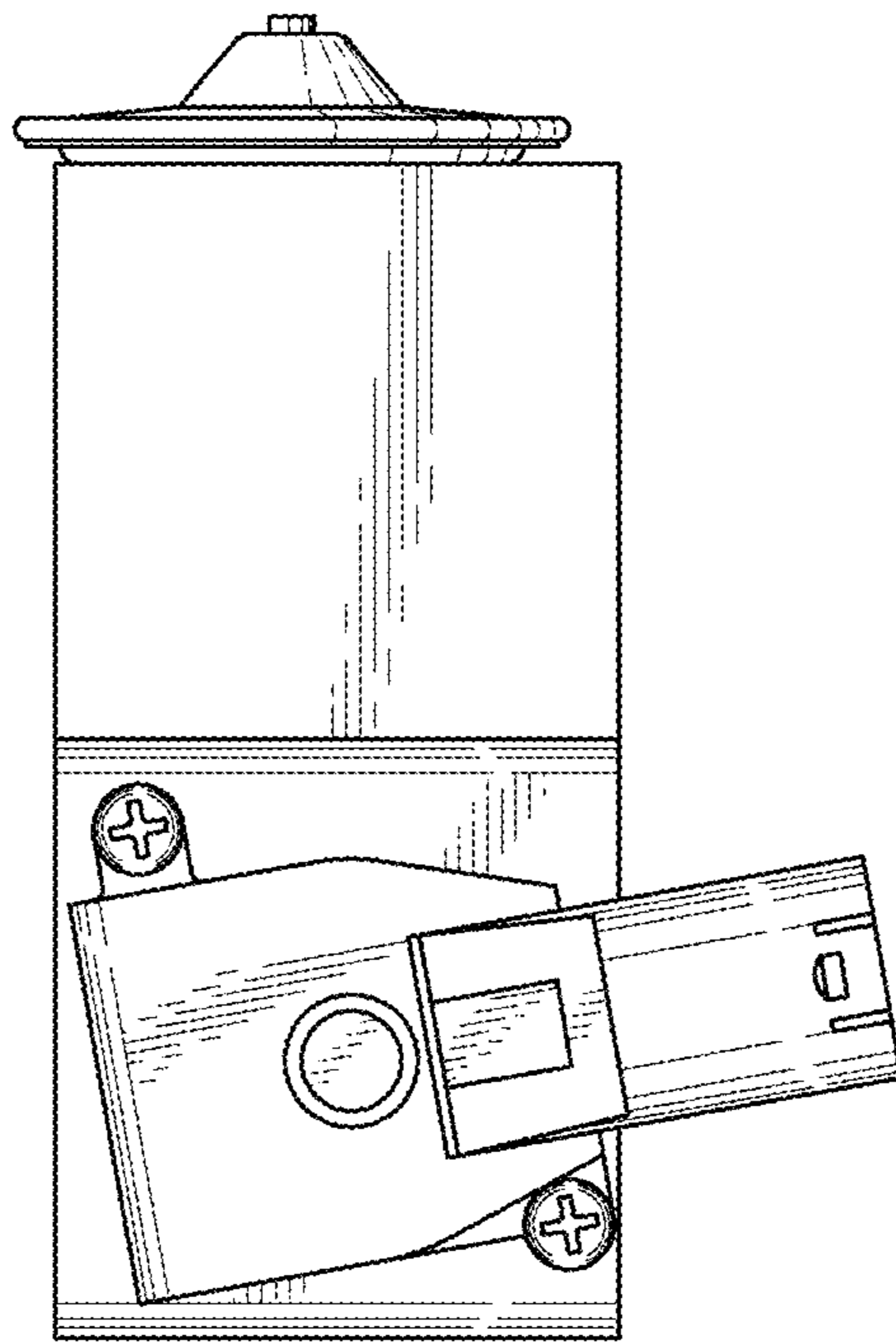


FIG. 7

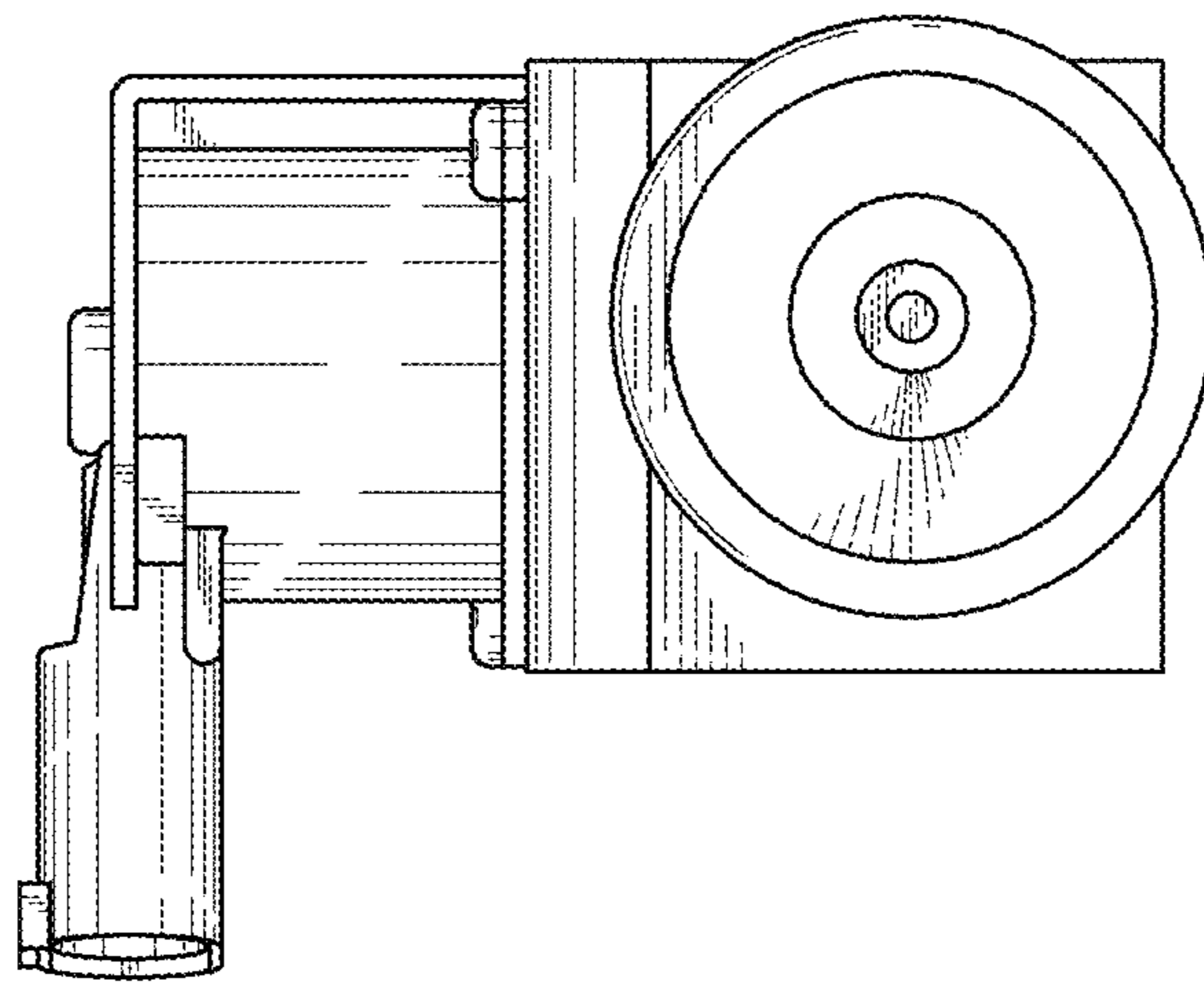


FIG. 8

