



US00D832398S

(12) **United States Design Patent** (10) **Patent No.:** **US D832,398 S**
Lin et al. (45) **Date of Patent:** **** Oct. 30, 2018**

(54) **SHOWERHEAD**
(71) Applicant: **FUJIAN XIHE SANITARY WARE TECHNOLOGY CO., LTD.**, Nan'An (CN)
(72) Inventors: **Xiaofa Lin**, Nan'An (CN); **Xiaoshan Lin**, Nan'An (CN); **Qing Kang**, Nan'An (CN); **Qiqiao Liu**, Nan'An (CN); **Xiaoqing Deng**, Nan'An (CN)
(73) Assignee: **FUJIAN XIHE SANITARY WARE TECHNOLOGY CO., LTD.**, Nan'An (CN)

D607,971 S * 1/2010 Barnard D23/223
D608,412 S * 1/2010 Barnard D23/223
D608,413 S * 1/2010 Barnard D23/223
D621,905 S * 8/2010 Yoo D23/213
D659,794 S * 5/2012 Flowers D23/223
D668,320 S * 10/2012 Weihreter D23/213
D672,432 S * 12/2012 Spangler D23/213
D674,041 S * 1/2013 Hanus D23/213
D674,876 S * 1/2013 Chibitty D23/213
D675,711 S * 2/2013 Chibitty D23/213
D678,467 S * 3/2013 Quinn D23/223
D694,361 S * 11/2013 Schoenherr D23/223
D723,137 S * 2/2015 Nikles D23/223
9,326,484 B2 * 5/2016 Allen A01K 13/001
D760,348 S * 6/2016 McCutcheon D23/213
D761,935 S * 7/2016 McCutcheon D23/213
2013/0299608 A1 * 11/2013 Spangler B05B 1/08
239/444

(**) Term: **15 Years**

(21) Appl. No.: **29/565,551**

(22) Filed: **May 22, 2016**

(30) **Foreign Application Priority Data**
Jan. 29, 2016 (CN) 2016 3 0034119
(51) **LOC (11) Cl.** **23-01**
(52) **U.S. Cl.**
USPC **D23/223**
(58) **Field of Classification Search**
USPC D23/201, 211, 213, 221, 223, 225, 226, D23/229
CPC B05B 1/18; B05B 1/00-1/08; B05B 1/20; B05B 15/063
See application file for complete search history.

(56) **References Cited**
U.S. PATENT DOCUMENTS
D313,267 S * 12/1990 Lenci D23/213
D357,972 S * 5/1995 Huen D23/223
D383,883 S * 9/1997 Langley D23/214
D464,108 S * 10/2002 Lord D23/213
D580,010 S * 11/2008 Lee D23/213

FOREIGN PATENT DOCUMENTS

CN 303441290 S 11/2015

* cited by examiner

Primary Examiner — Robin V Webster
Assistant Examiner — Rachel Voorhies
(74) *Attorney, Agent, or Firm* — Rabin & Berdo, P.C.

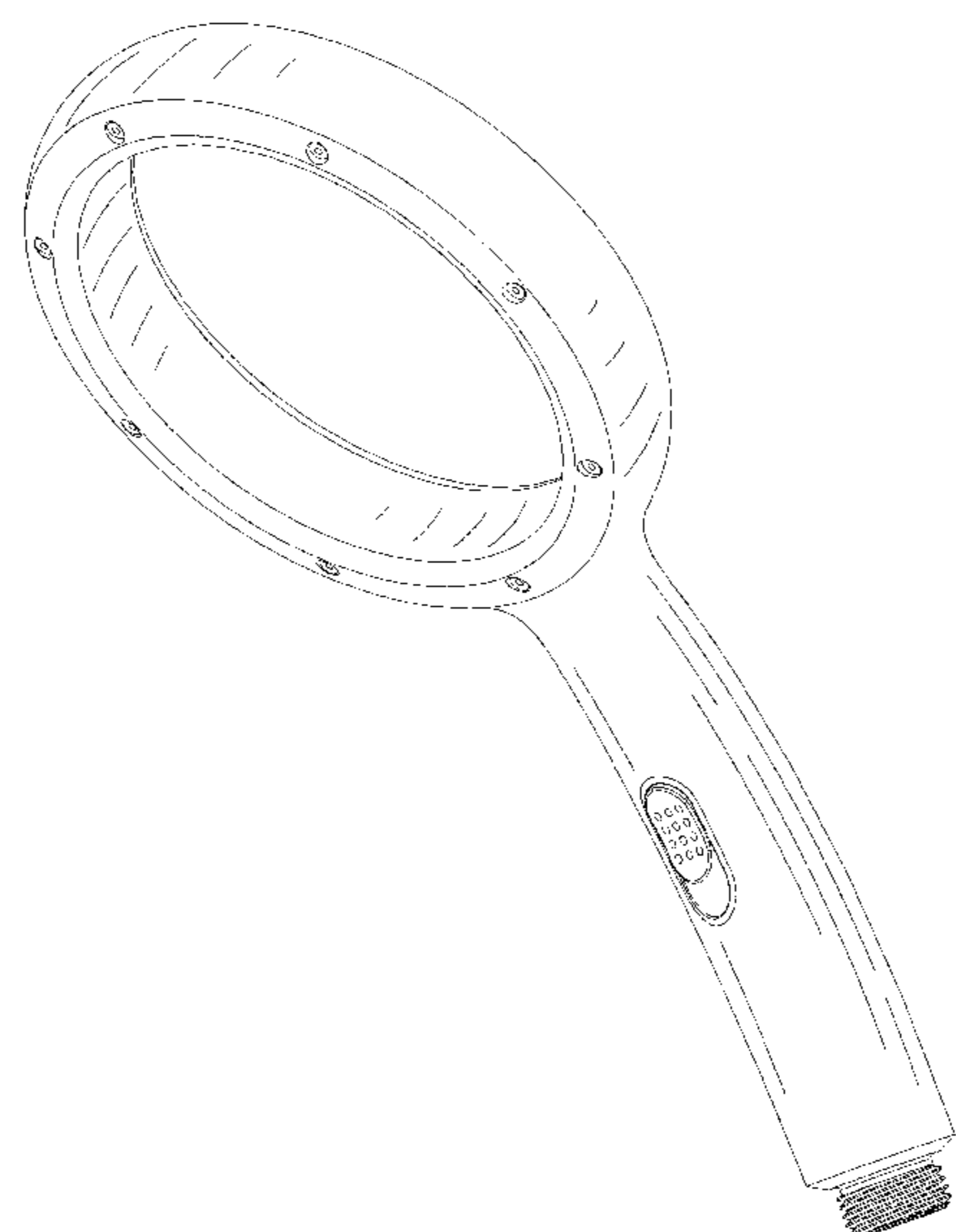
(57) **CLAIM**

The ornamental design for showerhead (112), as shown and described.

DESCRIPTION

FIG. 1 is a front view of showerhead (112) showing my new design;
FIG. 2 is a rear view thereof;
FIG. 3 is a left side view thereof;
FIG. 4 is a right side view thereof;
FIG. 5 is a top plan view thereof;
FIG. 6 is a bottom plan view thereof; and,
FIG. 7 is a perspective view thereof.

1 Claim, 7 Drawing Sheets



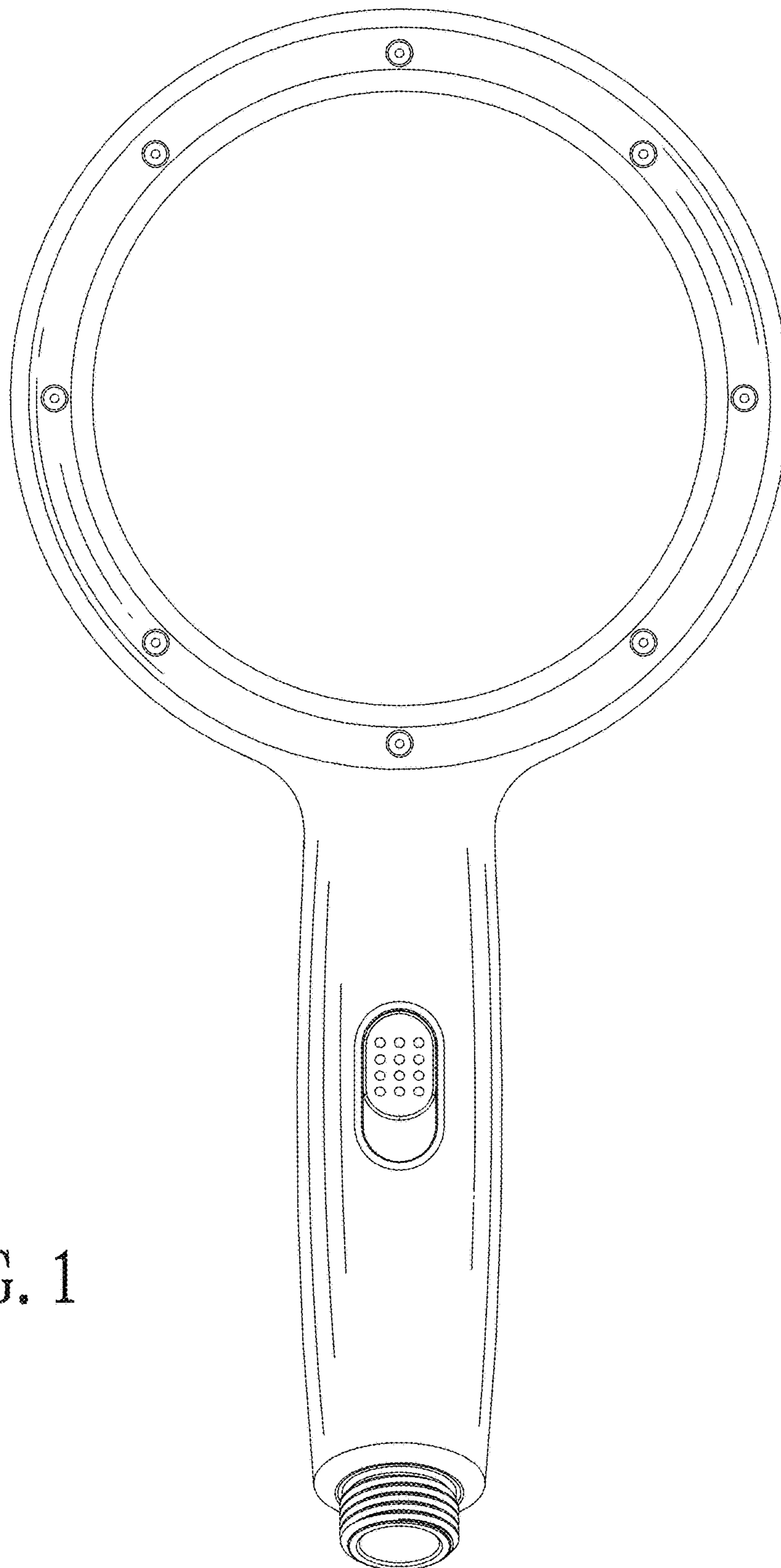


FIG. 1

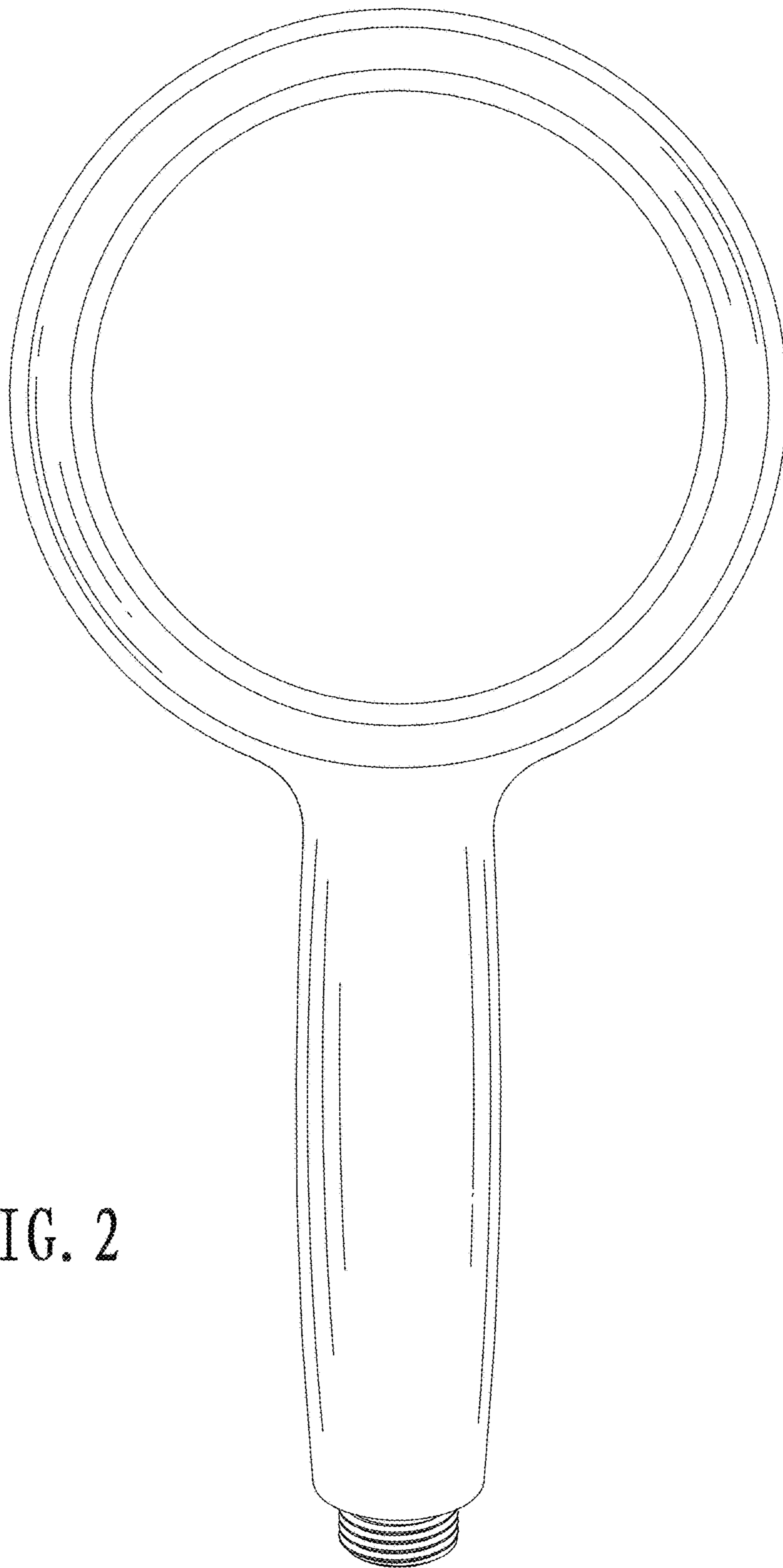


FIG. 2

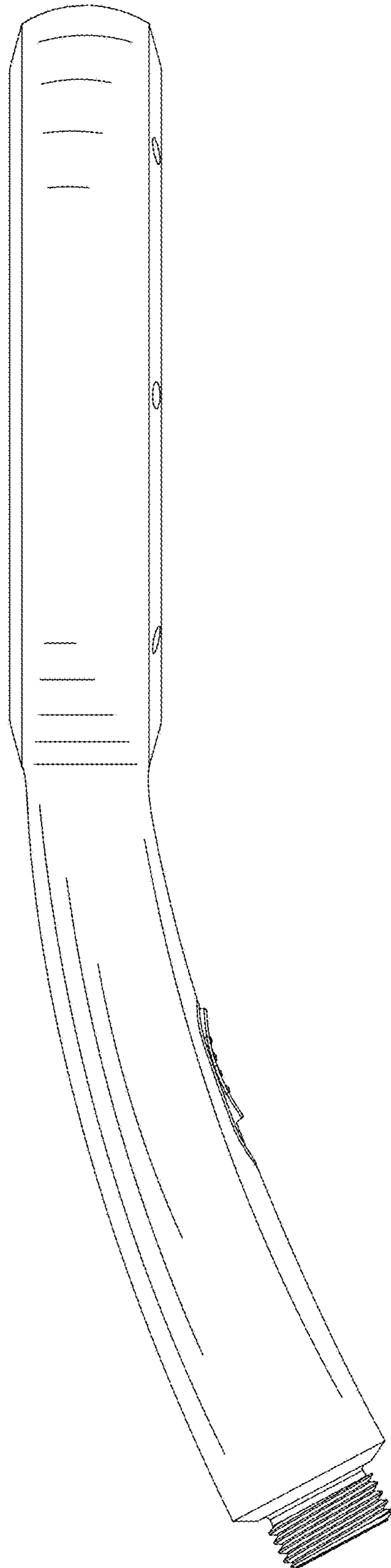
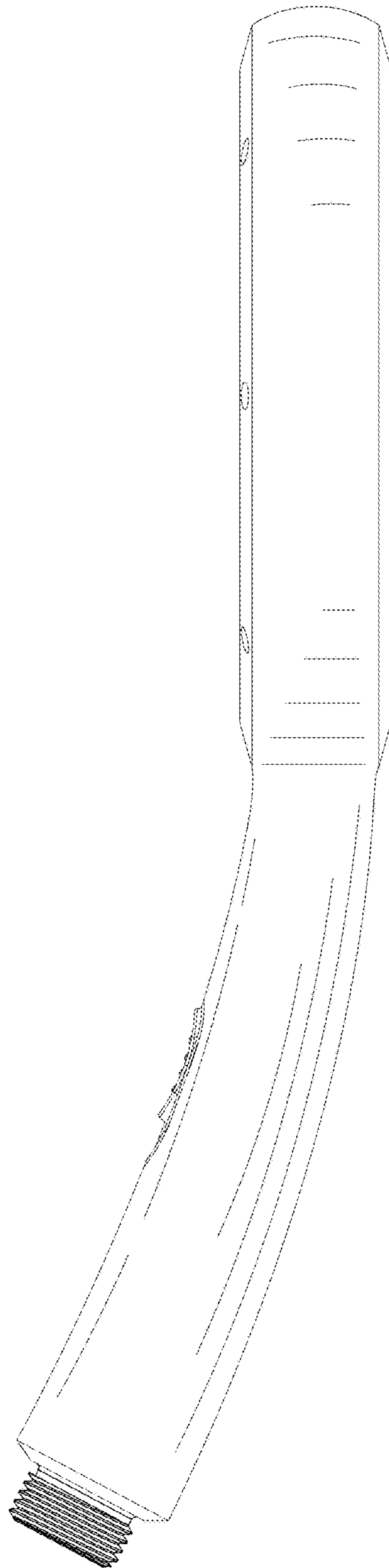


FIG. 3

FIG. 4



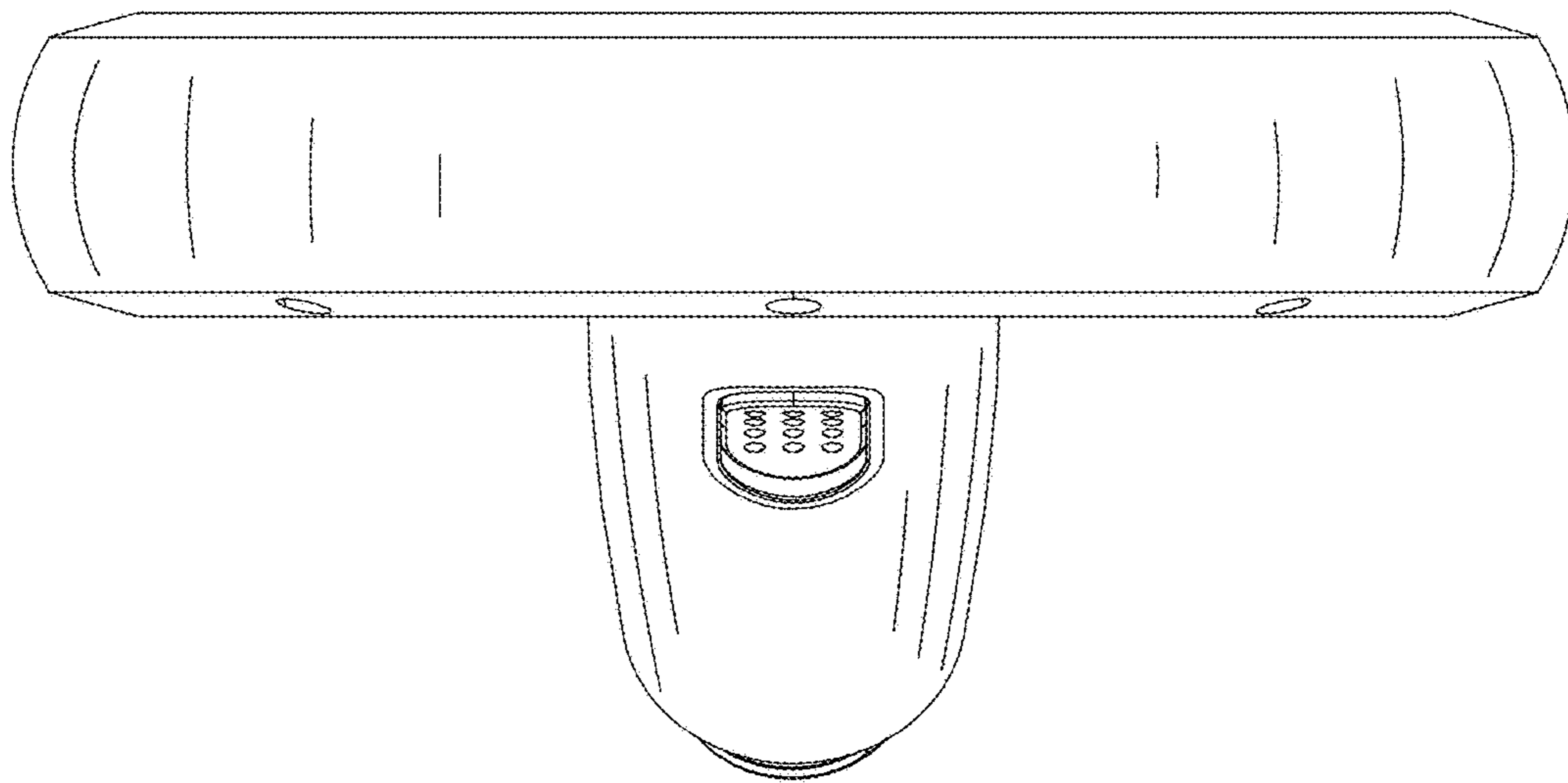


FIG. 5

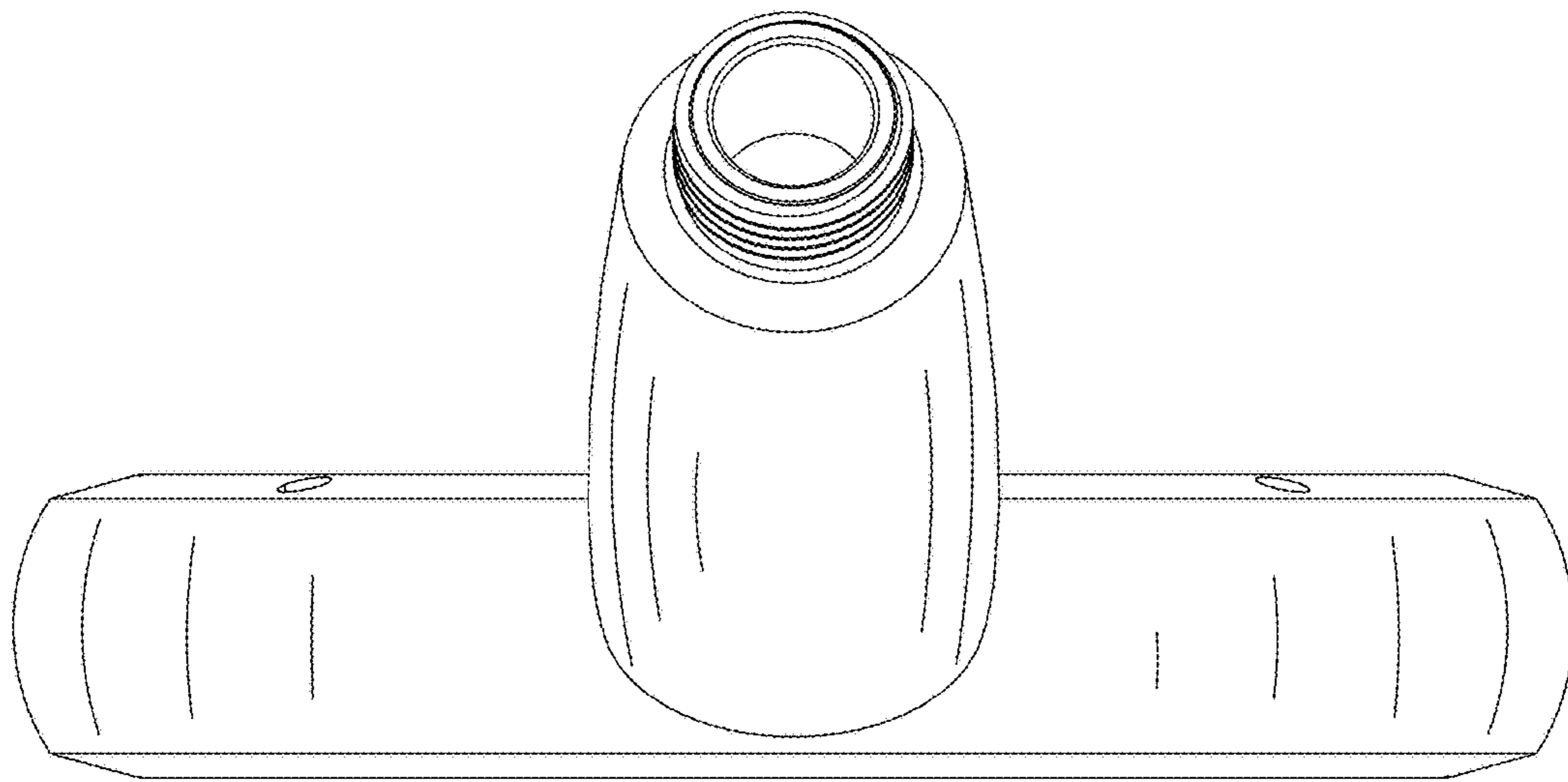


FIG. 6

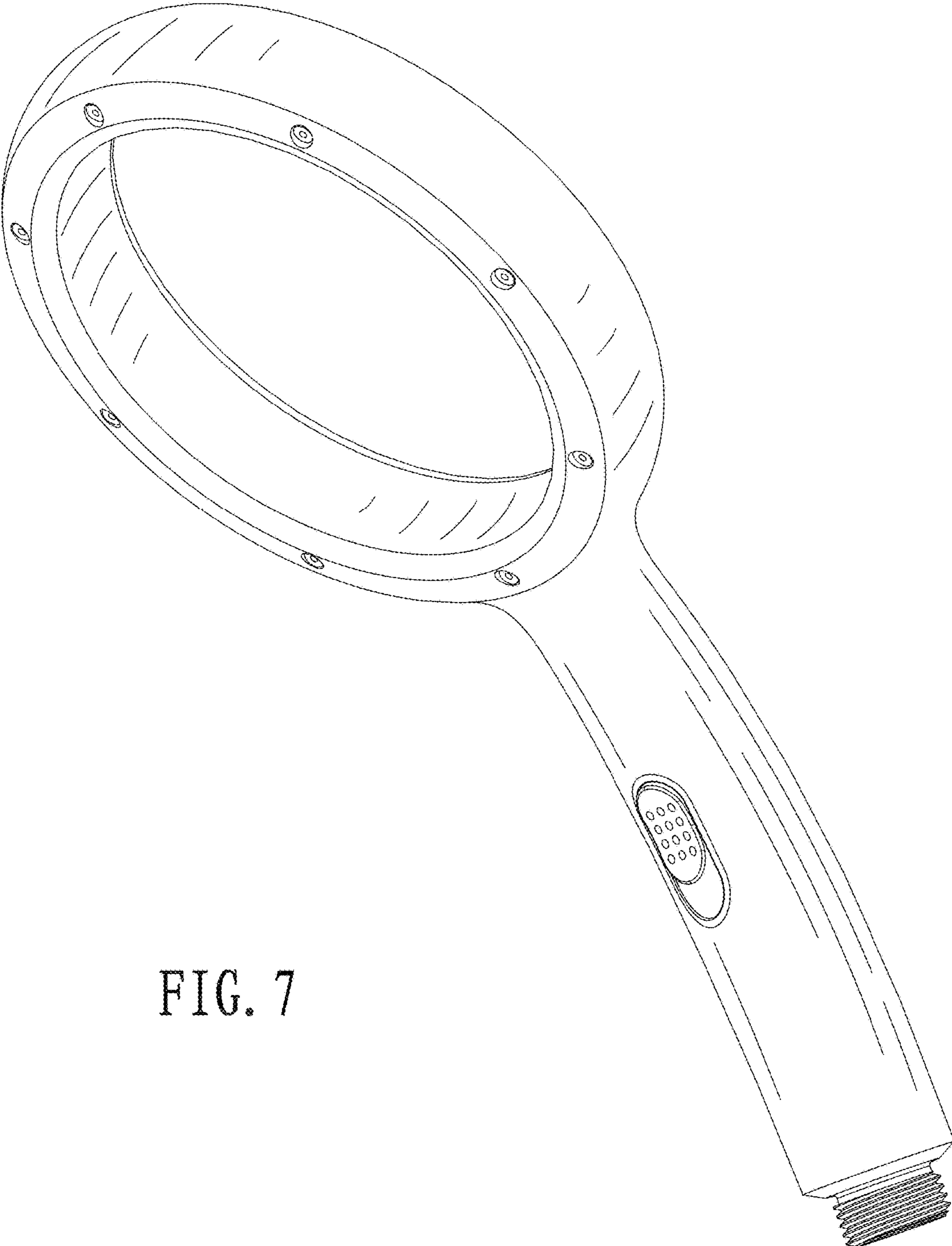


FIG. 7