



US00D832396S

(12) **United States Design Patent**
Tabata et al.

(10) **Patent No.:** **US D832,396 S**
(45) **Date of Patent:** **** Oct. 30, 2018**

- (54) **SPRAYING NOZZLE**
- (71) Applicant: **Panasonic Intellectual Property Management Co., Ltd.**, Osaka-shi, Osaka (JP)
- (72) Inventors: **Daisuke Tabata**, Osaka (JP); **Akira Isomi**, Osaka (JP); **Yuki Ueda**, Osaka (JP); **Naoyuki Ohkubo**, Osaka (JP)
- (73) Assignee: **PANASONIC INTELLECTUAL PROPERTY MANAGEMENT CO., LTD.**, Osaka (JP)

D390,630 S *	2/1998	McKown	D23/213
6,338,444 B1 *	1/2002	Swan	B05B 7/0425
				239/428.5
D458,342 S *	6/2002	Johnson	B01F 5/061
				D23/213
D542,376 S *	5/2007	Blette	D23/213
7,377,404 B2 *	5/2008	Cherfane	B01F 5/061
				222/135
D575,847 S *	8/2008	Huang	B05B 15/65
				D23/213
7,648,087 B2 *	1/2010	Horn	B05B 1/02
				239/594

(Continued)

- (**) Term: **15 Years**
- (21) Appl. No.: **29/634,909**
- (22) Filed: **Jan. 25, 2018**

FOREIGN PATENT DOCUMENTS

JP	D1593089	12/2017
JP	D1593090	12/2017

Primary Examiner — Robin V Webster

(74) Attorney, Agent, or Firm — Brinks Gilson & Lione

(30) **Foreign Application Priority Data**

Sep. 6, 2017 (JP) 2017-019305

(51) **LOC (11) Cl.** **23-01**

(52) **U.S. Cl.**
USPC **D23/213**

(58) **Field of Classification Search**
USPC D23/213; 239/443, 433; D15/138
CPC B05B 1/02; B05B 1/04; B05B 1/18; B05B 1/08; B05B 1/005; B05B 1/042; E03C 1/086

See application file for complete search history.

(56) **References Cited**

U.S. PATENT DOCUMENTS

2,722,458 A *	11/1955	Wahlin	B05B 1/042
				239/597
2,743,138 A *	4/1956	Wahlin	B05B 15/16
				239/597
D244,462 S *	5/1977	Mathis	D23/213
D290,165 S *	6/1987	Jacuzzi	B05B 7/0425
				D23/213

(57) **CLAIM**

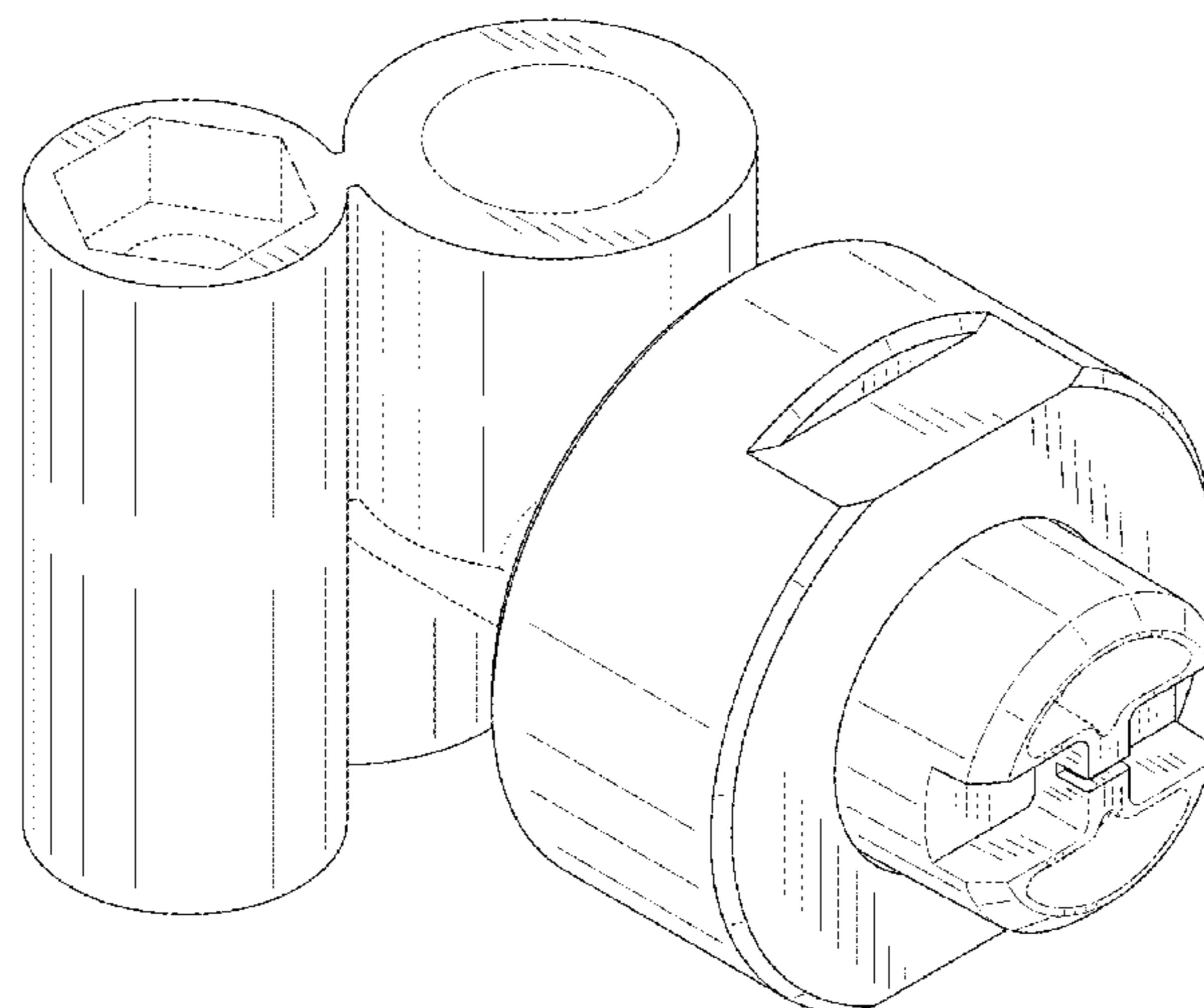
We claim the ornamental design for a spraying nozzle, as shown and described.

DESCRIPTION

FIG. 1 is a front perspective view of a spraying nozzle of the present invention;
FIG. 2 is a rear perspective view thereof;
FIG. 3 is a front view thereof;
FIG. 4 is a rear view thereof;
FIG. 5 is a left side view thereof;
FIG. 6 is a right side view thereof;
FIG. 7 is a top view thereof; and,
FIG. 8 is a bottom view thereof.

The broken lines show parts of the spraying nozzle that represent unclaimed subject matter and form no part of the claimed design. Additionally, the dot-dash lines shown in the drawings define the limits of the claimed design.

1 Claim, 8 Drawing Sheets



(56)

References Cited

U.S. PATENT DOCUMENTS

7,980,490 B2 * 7/2011 Waddelow B05B 15/65
239/394
8,079,534 B2 * 12/2011 Fecht B05B 1/042
239/590.5
D708,293 S * 7/2014 Cicenas B05B 1/042
D23/213
8,828,495 B2 * 9/2014 Ogonowski B05B 1/042
118/300
RE45,395 E * 3/2015 Fulkerson B05B 1/042
D23/213

* cited by examiner

FIG. 1

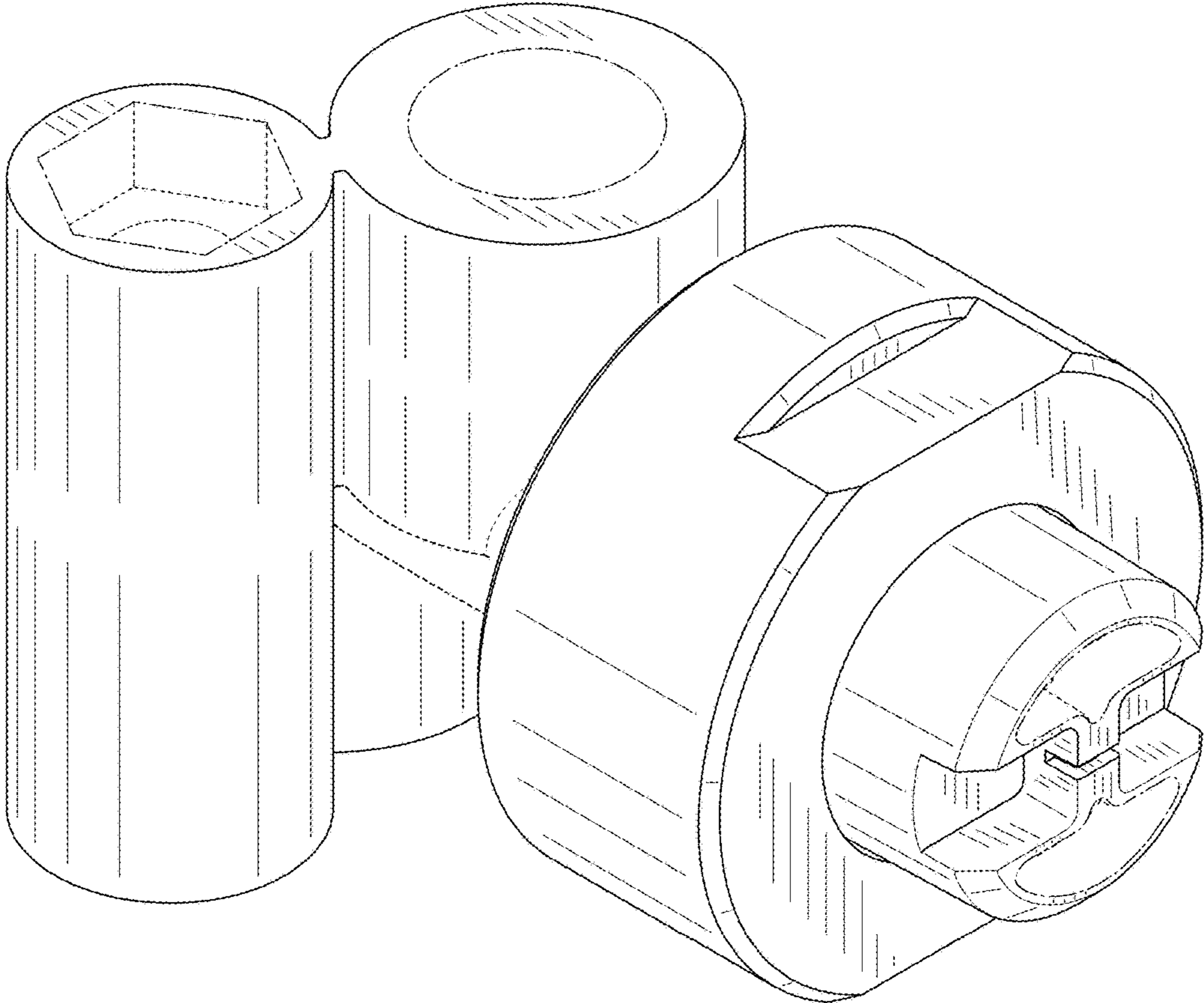


FIG. 2

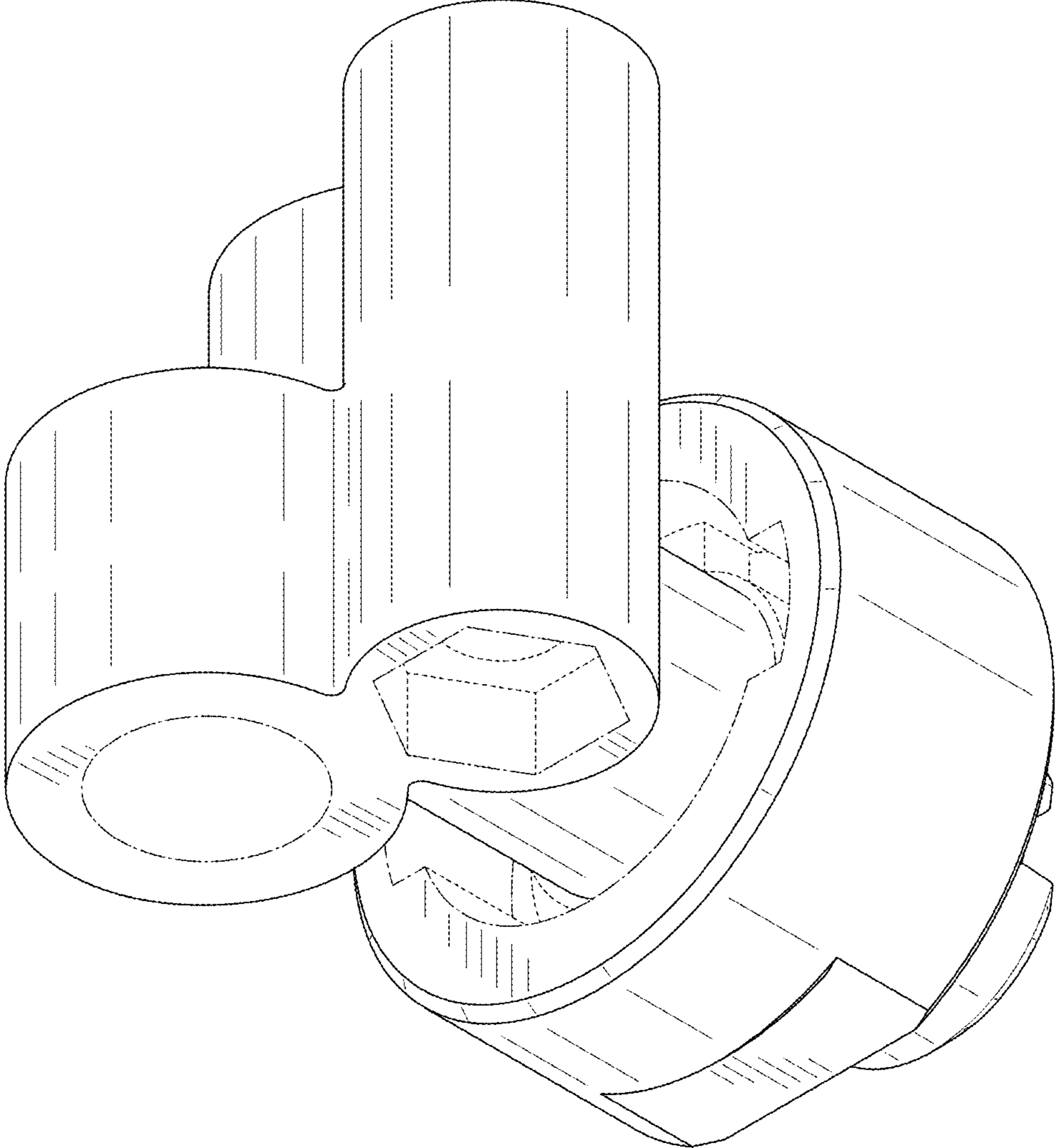


FIG. 3

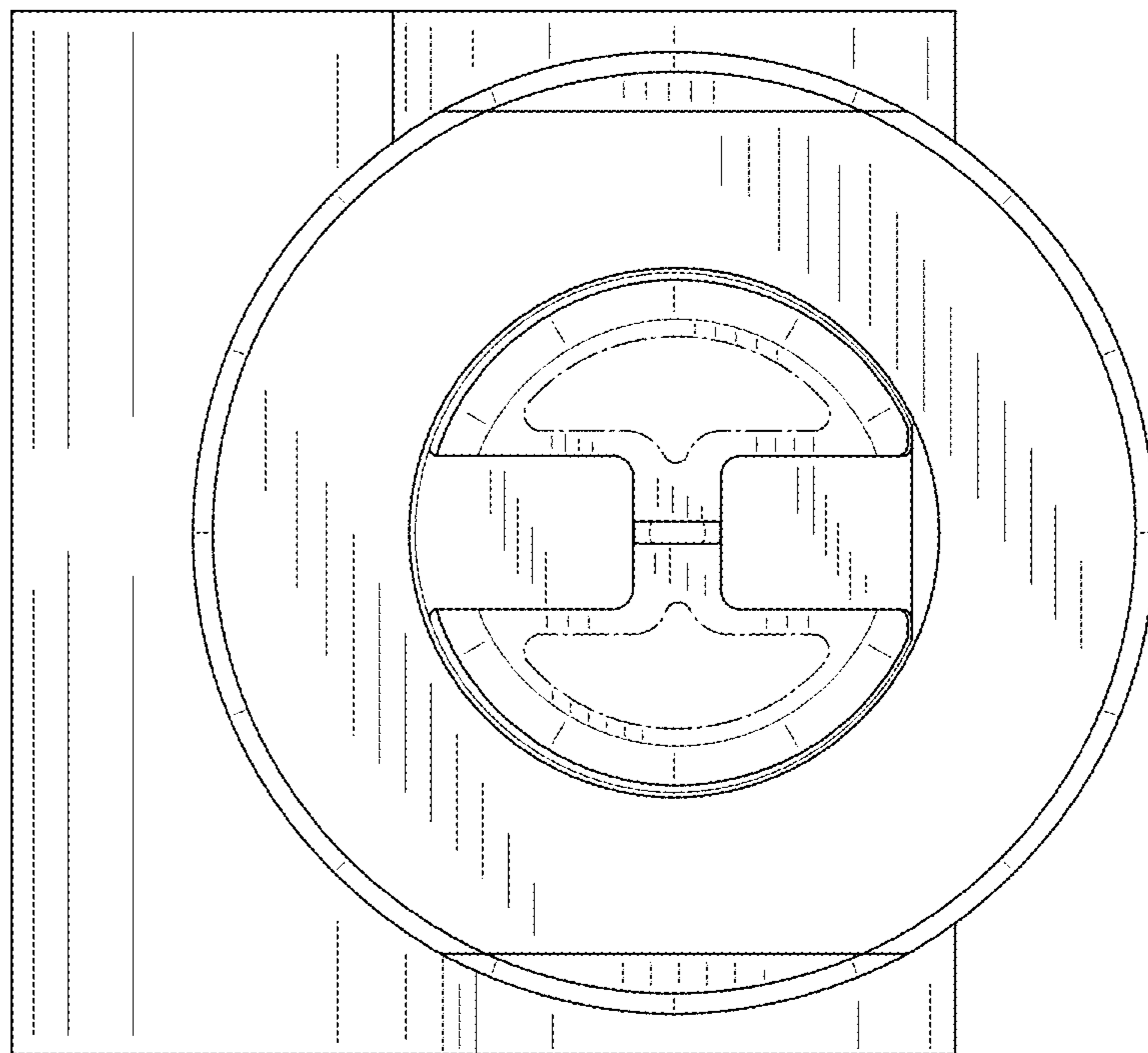


FIG. 4

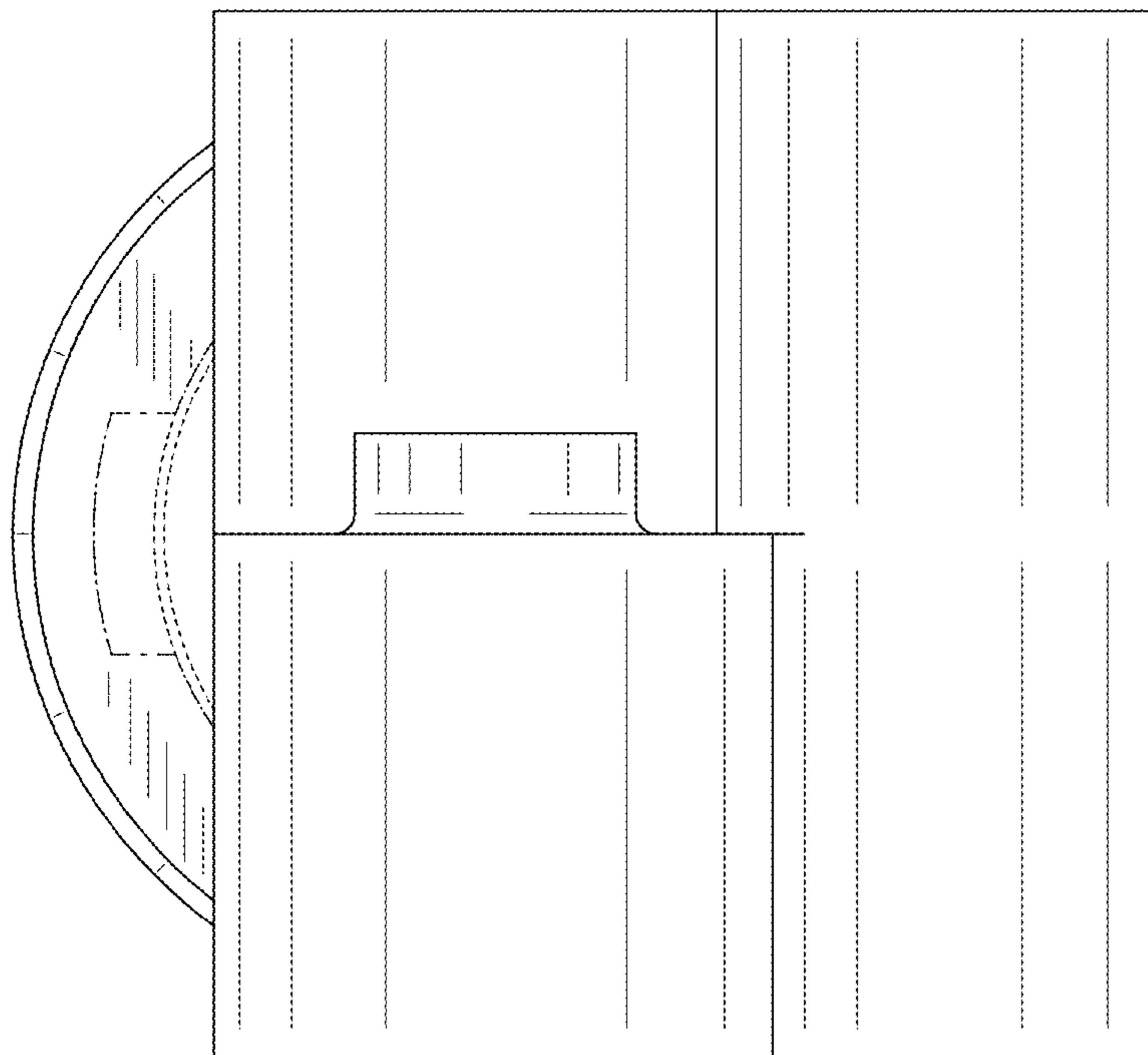


FIG. 5

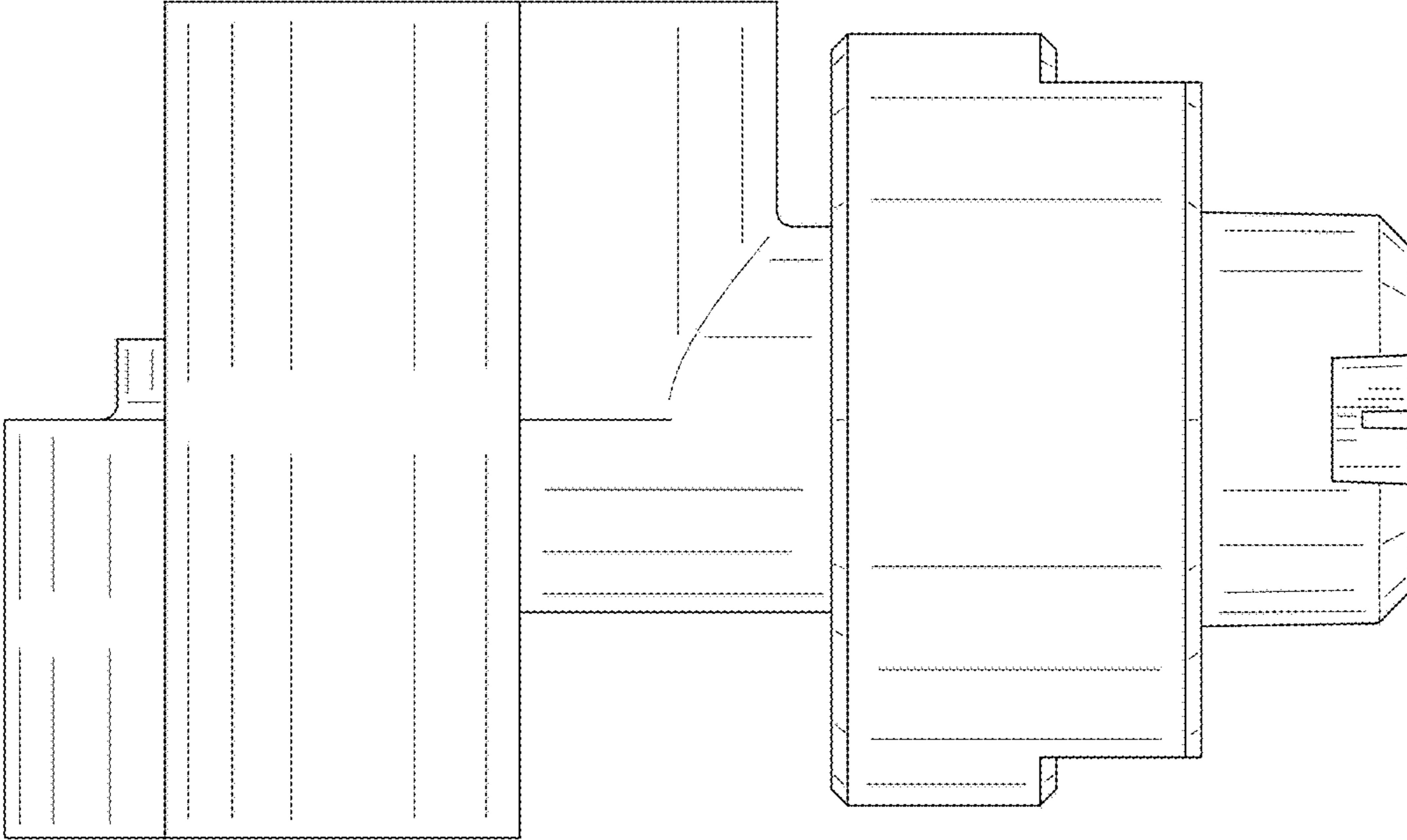


FIG. 6

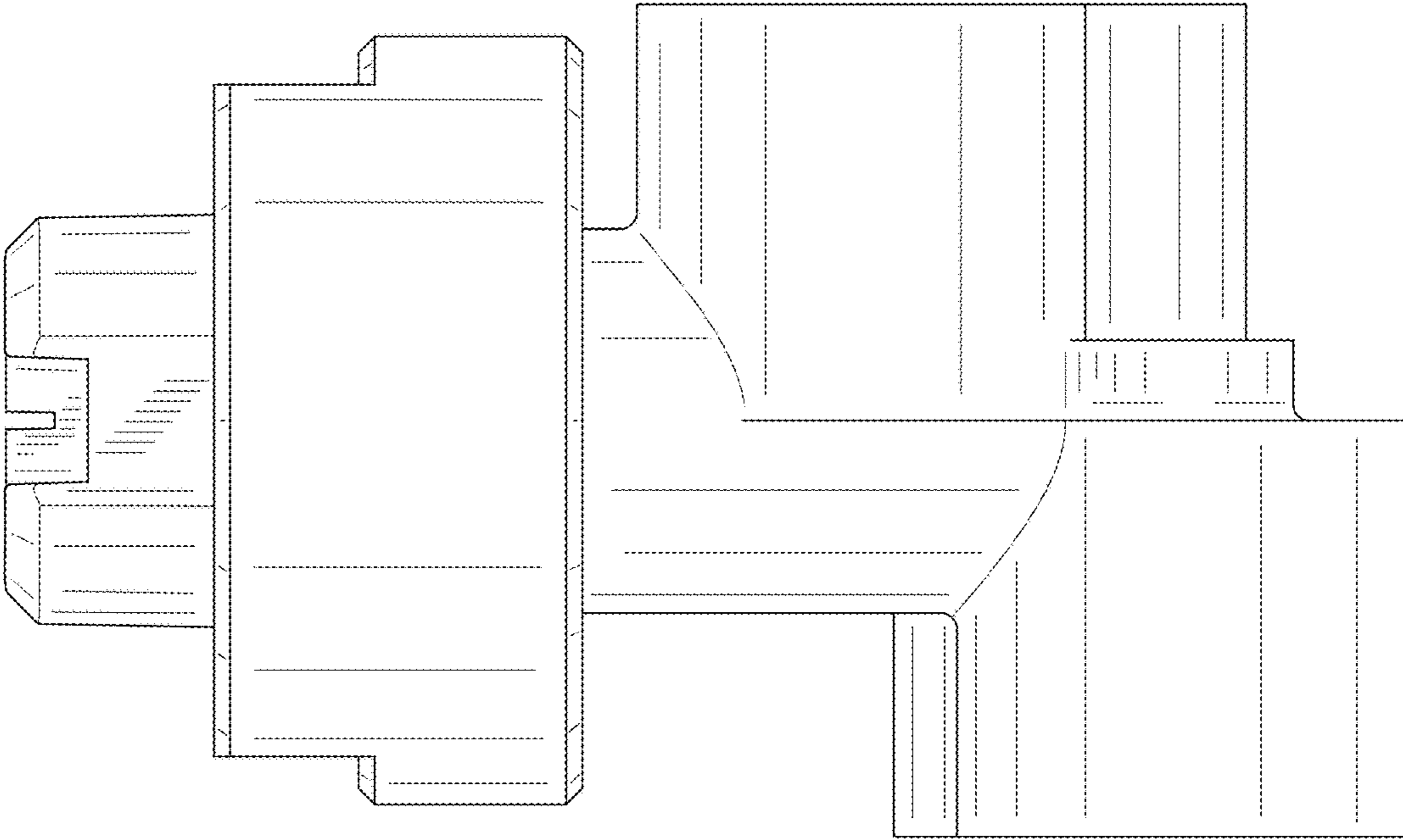


FIG. 7

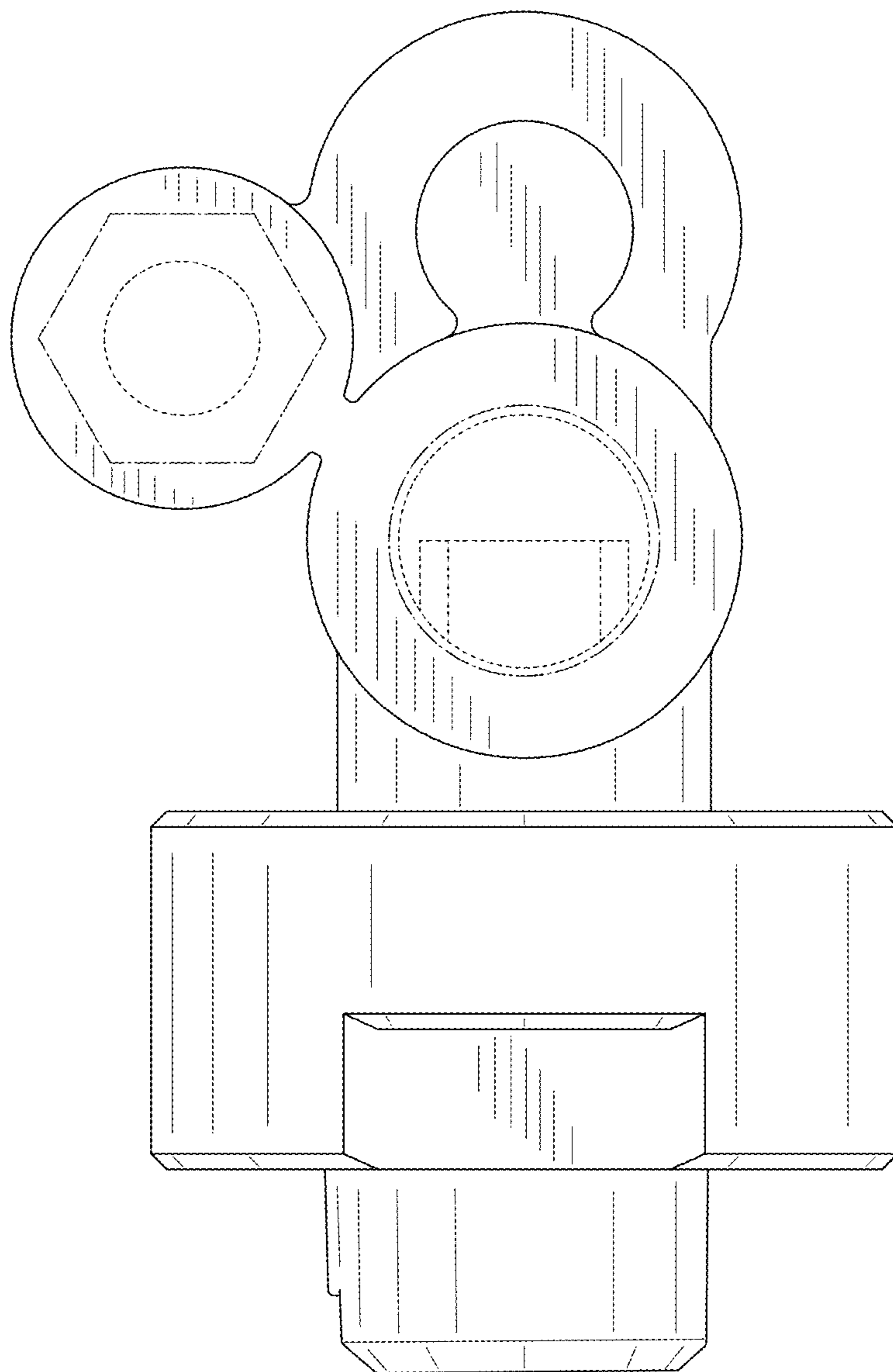


FIG. 8

