



US00D832394S

(12) **United States Design Patent**  
**Sutton**

(10) **Patent No.:** **US D832,394 S**

(45) **Date of Patent:** **\*\* Oct. 30, 2018**

(54) **QUICK CHANGE FILTER HOUSING**

D668,741 S \* 10/2012 Choi ..... D23/209  
D783,774 S \* 4/2017 Costantini ..... D23/209  
9,688,546 B2 \* 6/2017 Froelicher ..... C02F 1/003

(71) Applicant: **Jepson Sutton**, Phoenix, AZ (US)

\* cited by examiner

(72) Inventor: **Jepson Sutton**, Phoenix, AZ (US)

*Primary Examiner* — Robin V Webster

(\*\*) Term: **15 Years**

(21) Appl. No.: **29/606,366**

(22) Filed: **Jun. 3, 2017**

(51) **LOC (11) Cl.** ..... **23-01**

(52) **U.S. Cl.**  
USPC ..... **D23/209**

(58) **Field of Classification Search**  
USPC ..... D23/207, 209, 365  
CPC . C02F 1/003; C02F 1/42; B01D 35/30; B01D  
35/153; B01D 29/111; B01D 39/12;  
B29C 47/682

See application file for complete search history.

(56) **References Cited**

**U.S. PATENT DOCUMENTS**

4,915,831 A \* 4/1990 Taylor ..... B01D 35/30  
206/1.5  
5,925,245 A \* 7/1999 Bradford ..... B01D 35/30  
210/232  
D610,649 S \* 2/2010 Kulikov ..... B01D 35/30  
D23/209  
D641,066 S \* 7/2011 Choi ..... D23/209

(57) **CLAIM**

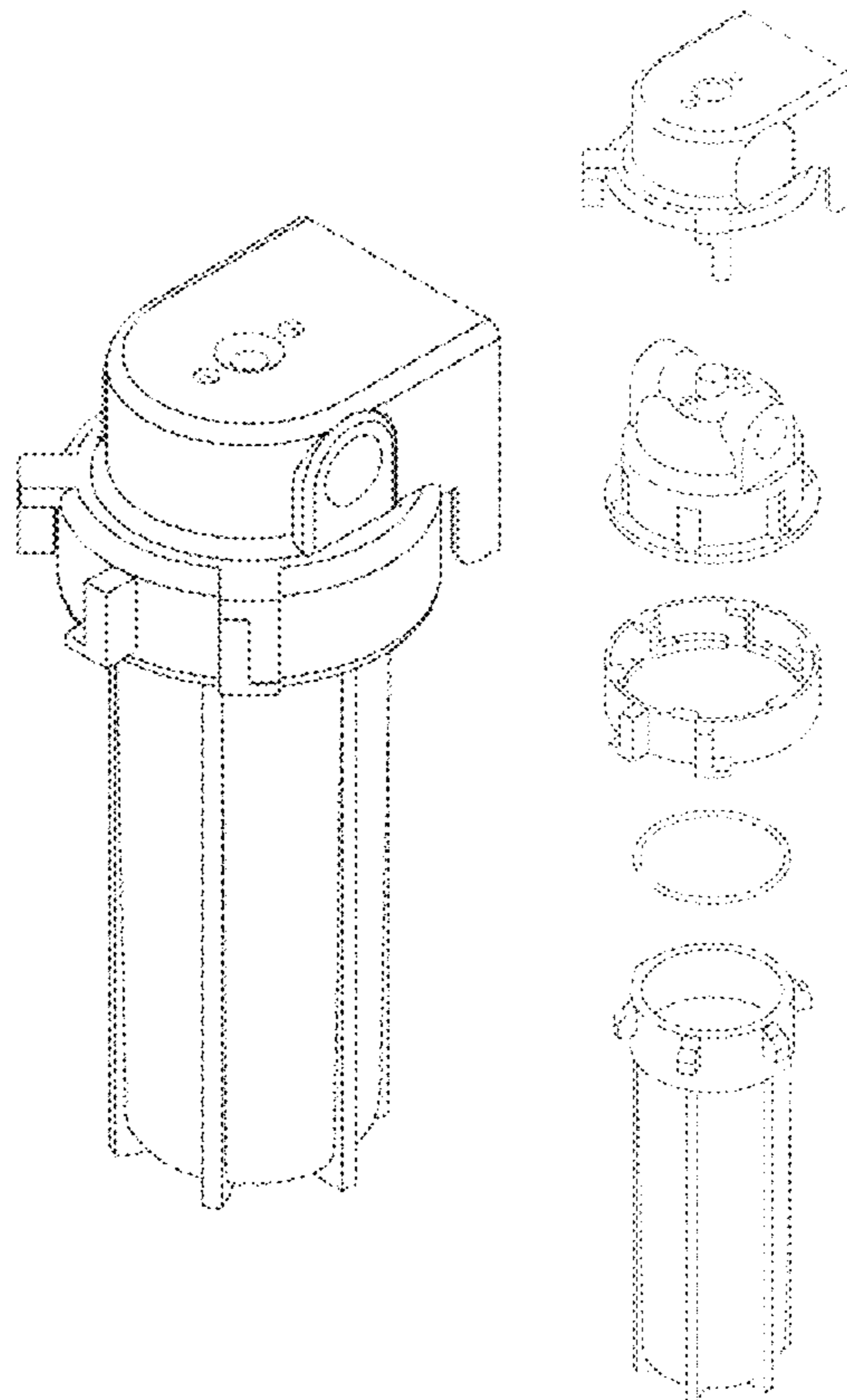
The ornamental design for a quick change filter housing, as shown and described.

**DESCRIPTION**

FIG. 1 is a perspective view of a quick change filter housing showing my new design;  
FIG. 2 is a front elevational view thereof;  
FIG. 3 is a back elevational view thereof;  
FIG. 4 is a top plan view thereof;  
FIG. 5 is a left elevational view thereof;  
FIG. 6 is a bottom plan view thereof;  
FIGS. 7, 8 and 9 are perspective views of three alternative positions thereof; and,  
FIG. 10 is an exploded perspective view thereof.

The right elevational view of the design is a mirror image of the left elevational view shown in FIG. 5. Those portions of the drawing shown in broken lines form no part of the claimed design.

**1 Claim, 3 Drawing Sheets**



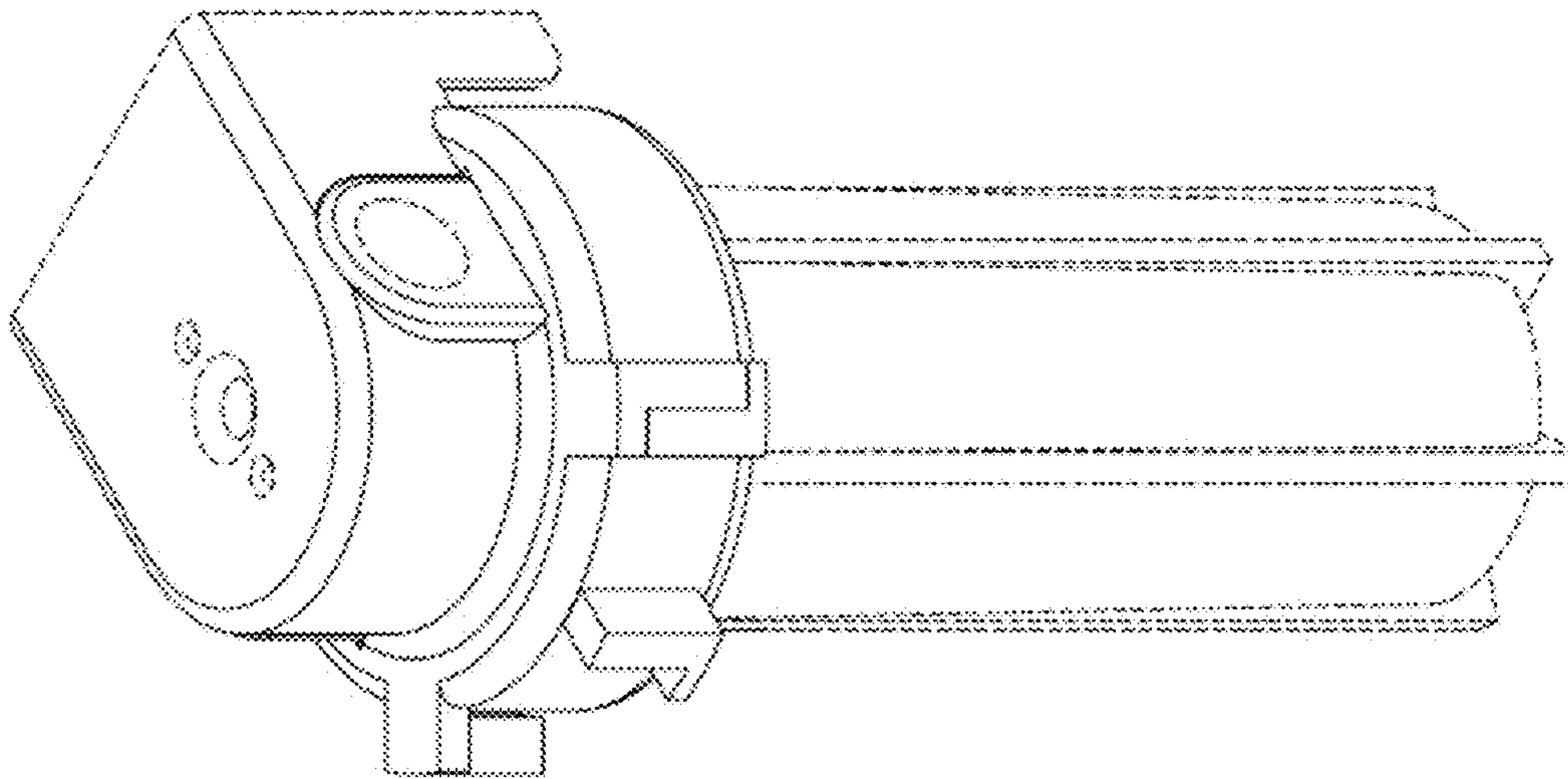


Fig. 1

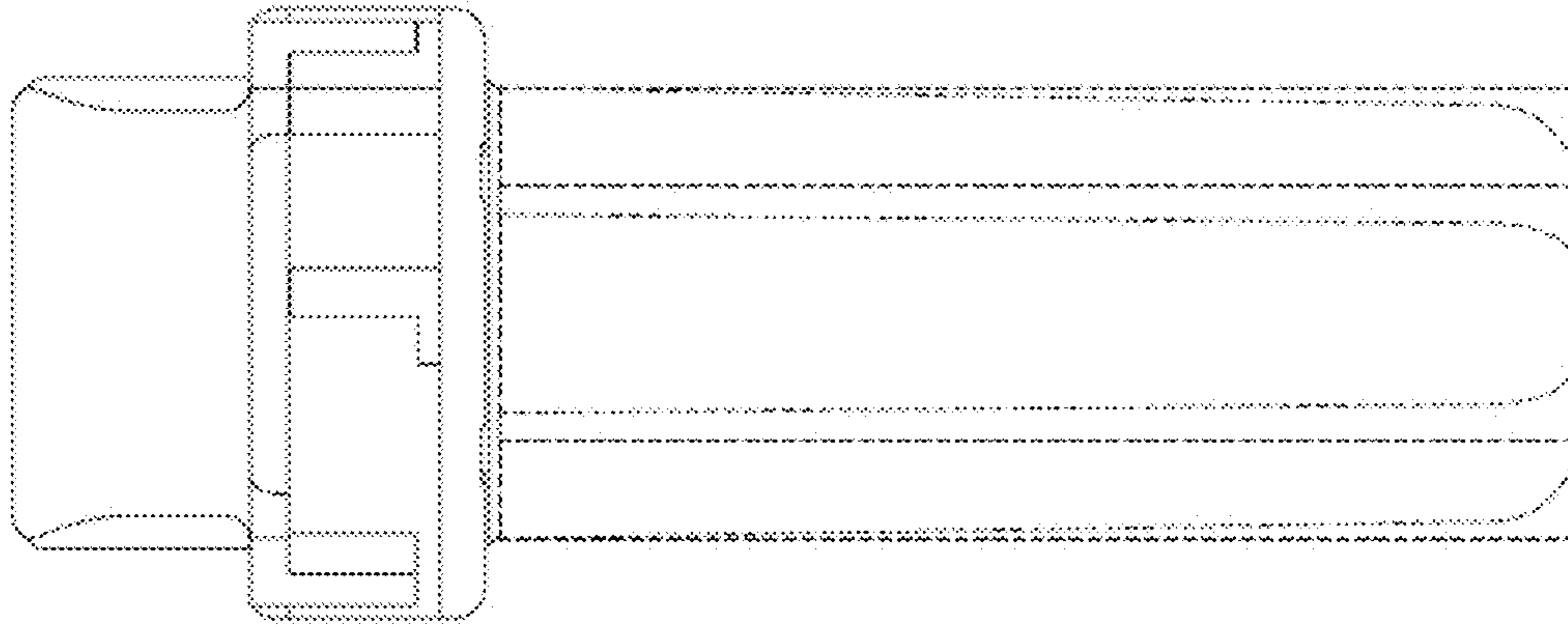


Fig. 2

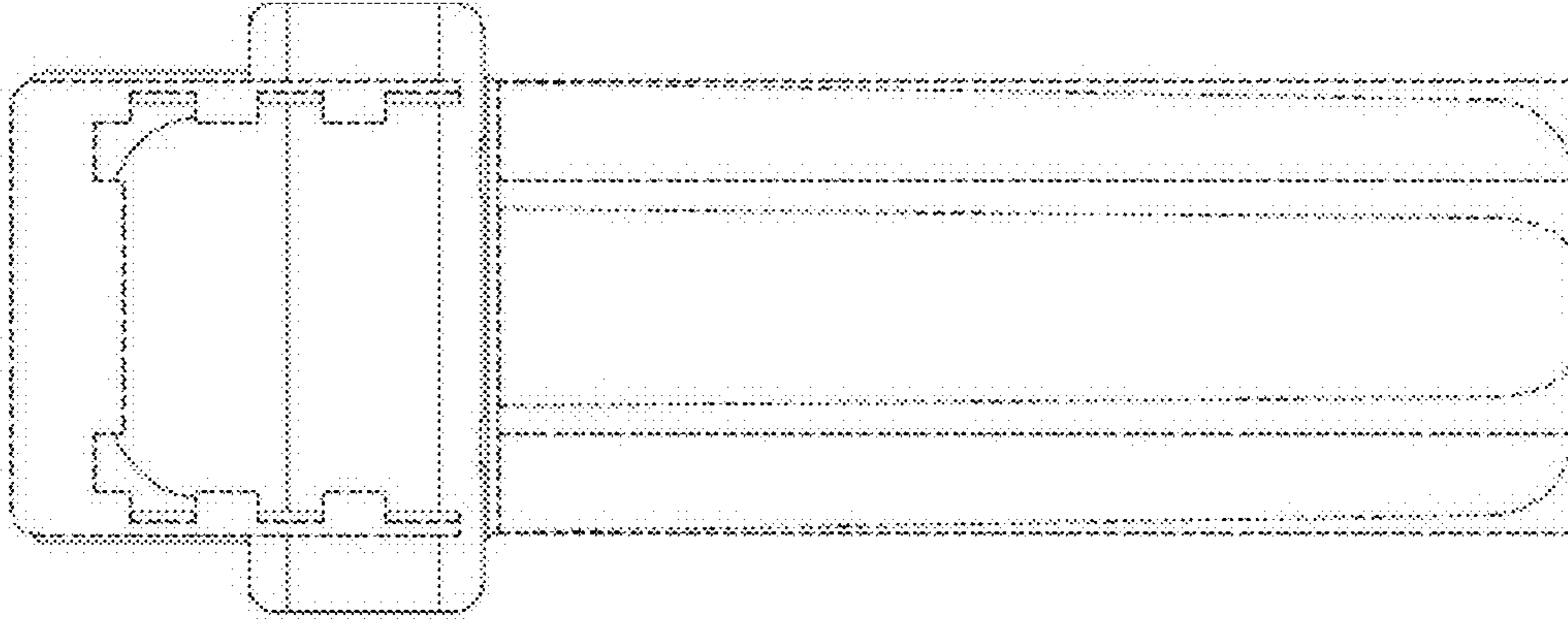


Fig. 3

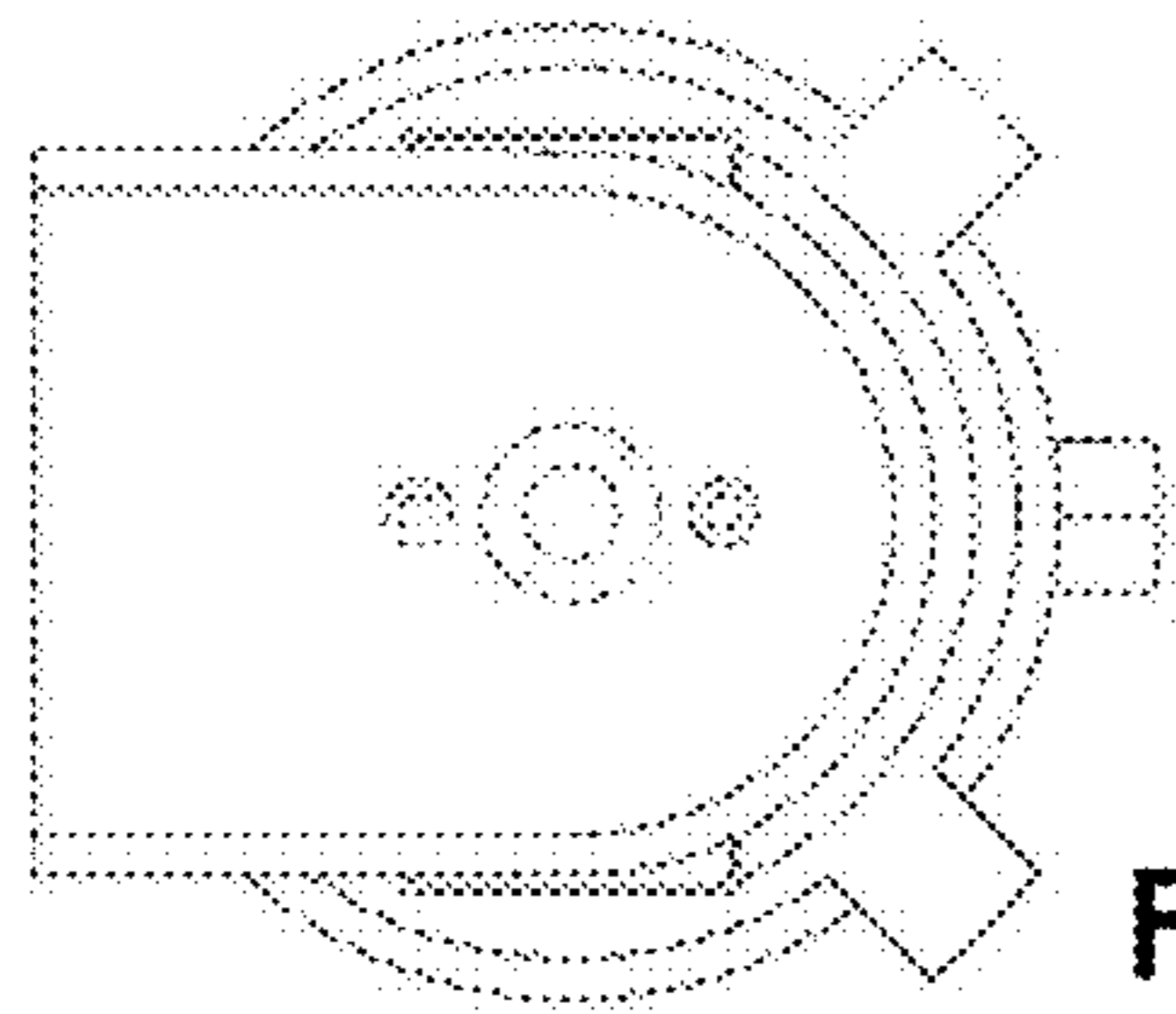


Fig. 4

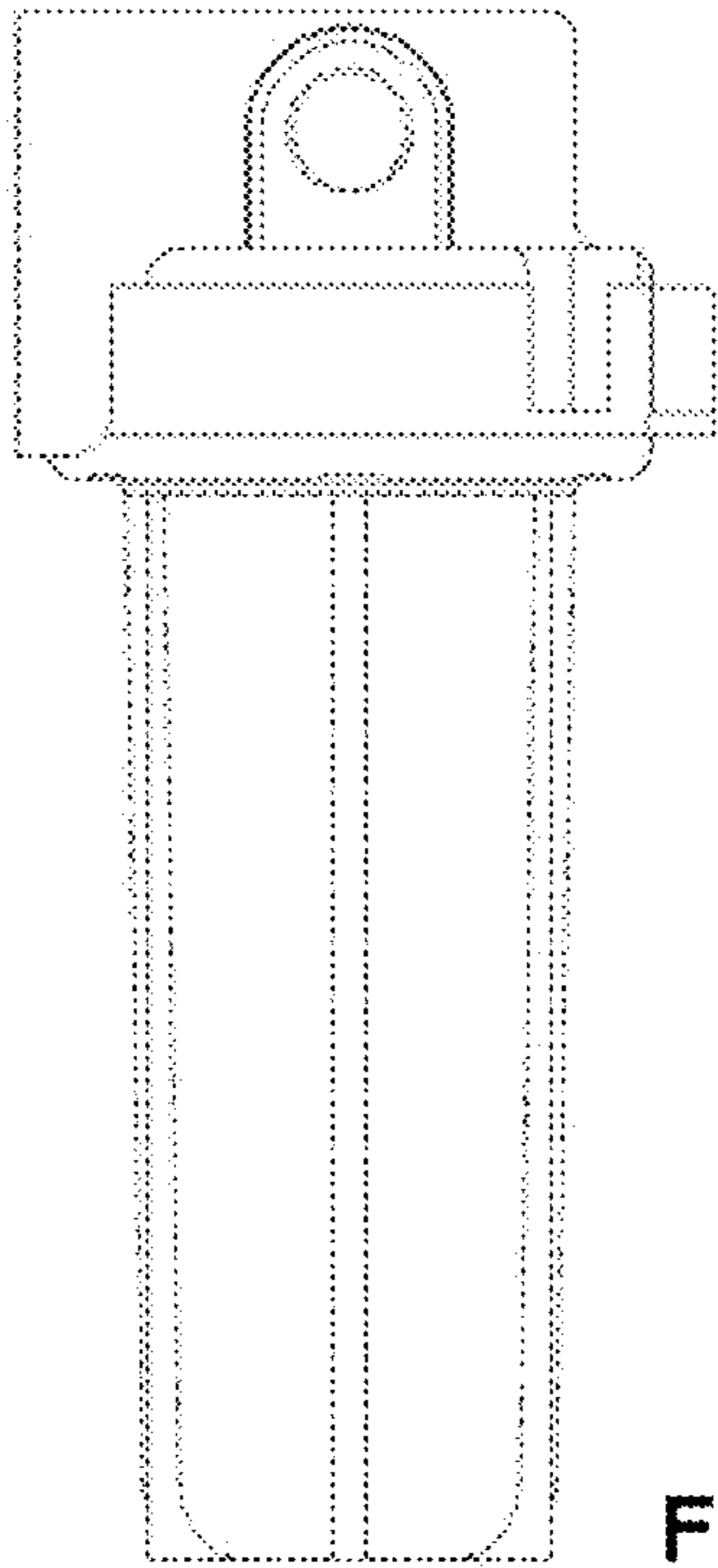


Fig. 5

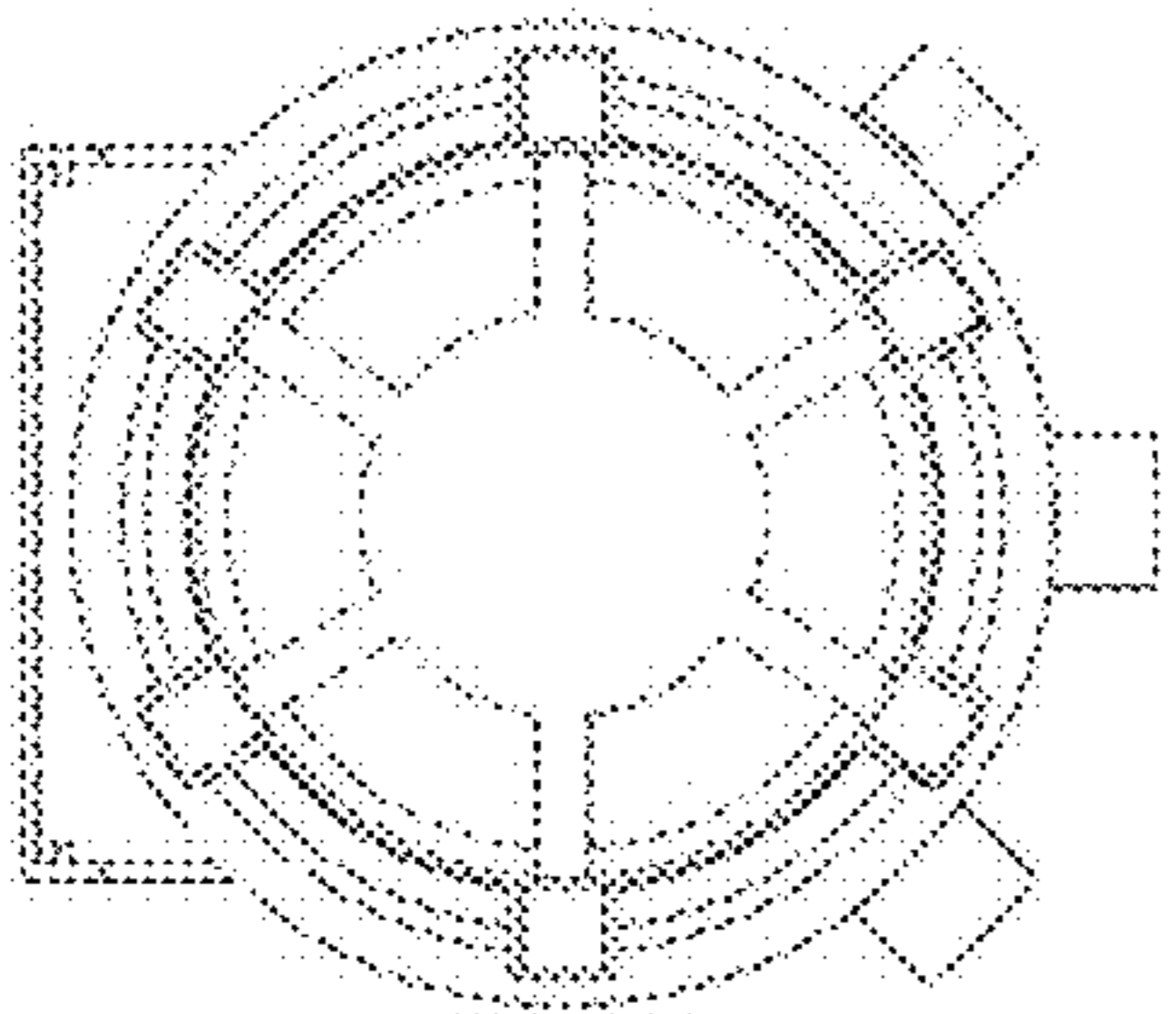


Fig. 6

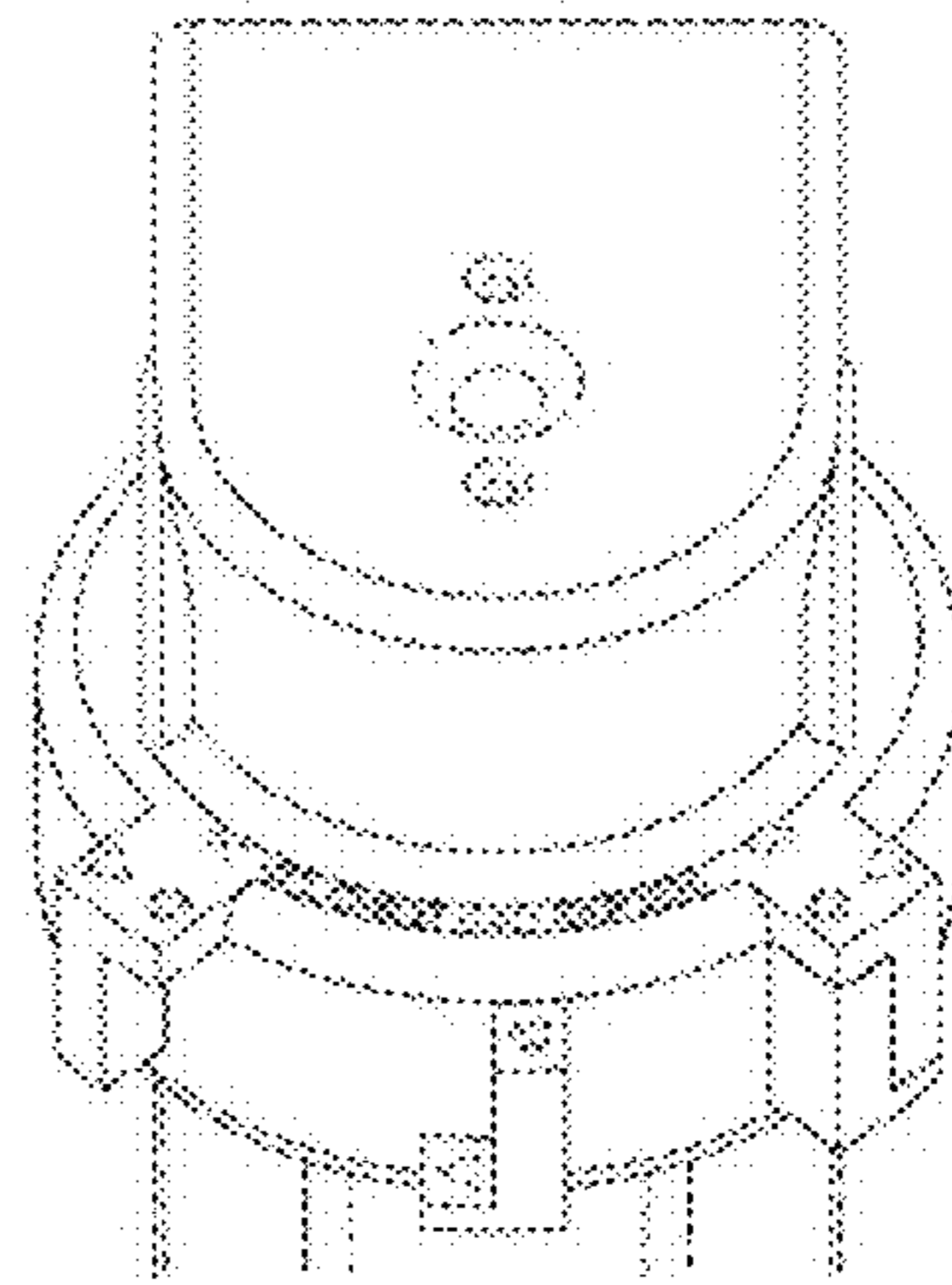


Fig. 7

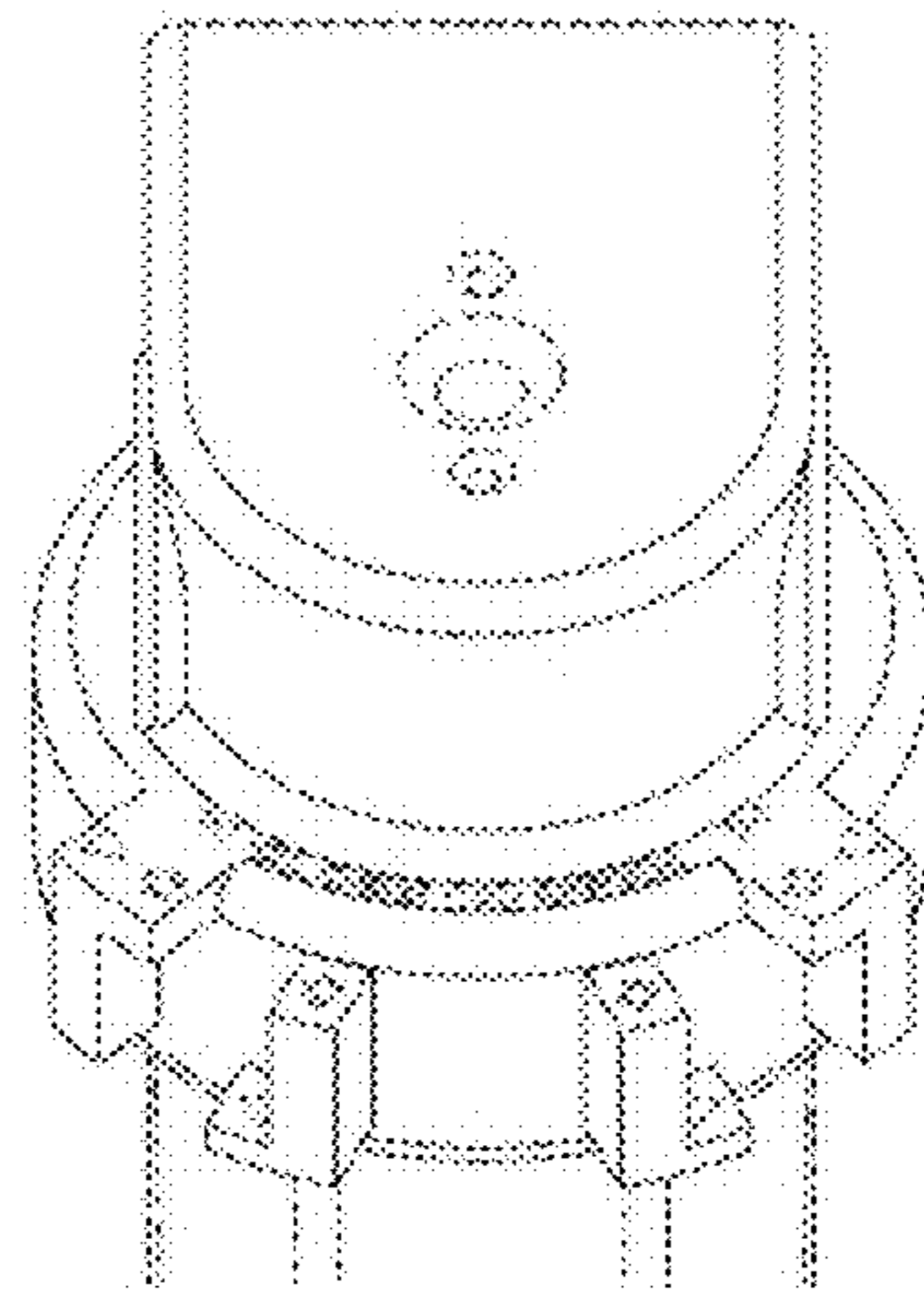


Fig. 8

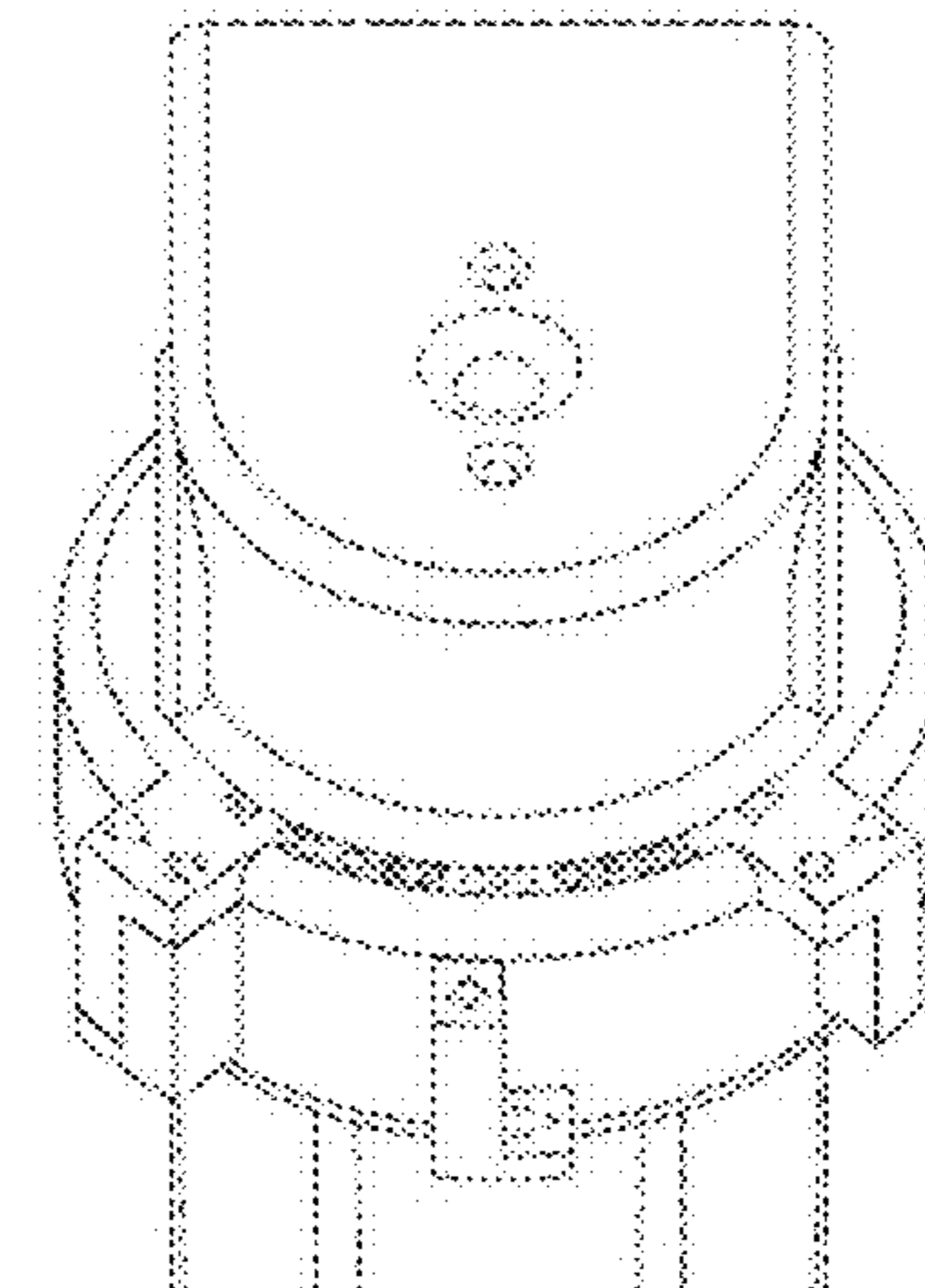


Fig. 9



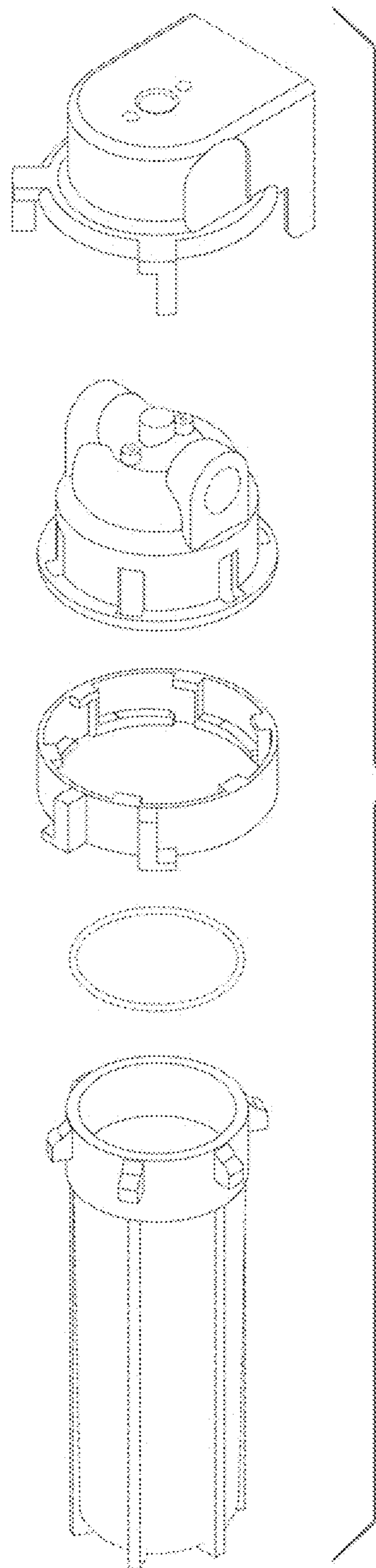


Fig. 10

UNITED STATES PATENT AND TRADEMARK OFFICE  
**CERTIFICATE OF CORRECTION**

PATENT NO. : D832,394 S  
APPLICATION NO. : 29/606366  
DATED : October 30, 2018  
INVENTOR(S) : Sutton

Page 1 of 5

It is certified that error appears in the above-identified patent and that said Letters Patent is hereby corrected as shown below:

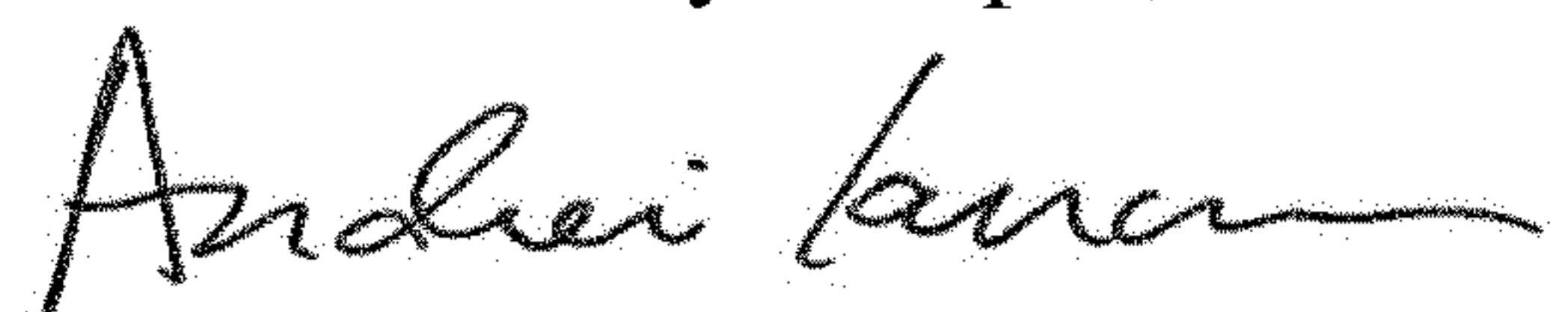
On the Title Page

Delete the title page and substitute therefore with the attached title page consisting of the corrected illustrative figure(s).

In the Drawings

Please replace FIGS. 1-10 with FIGS. 1-10 as shown on the attached pages.

Signed and Sealed this  
Seventh Day of April, 2020



Andrei Iancu  
*Director of the United States Patent and Trademark Office*

(12) **United States Design Patent** (10) **Patent No.:** **US D832,394 S**  
**Sutton** (45) **Date of Patent:** **\*\* Oct. 30, 2018**

(54) **QUICK CHANGE FILTER HOUSING**

(71) Applicant: **Jepson Sutton**, Phoenix, AZ (US)

(72) Inventor: **Jepson Sutton**, Phoenix, AZ (US)

(\*\*) Term: **15 Years**

(21) Appl. No.: **29/606,366**

(22) Filed: **Jun. 3, 2017**

(51) **LOC (11) Cl.** ..... **23-01**

(52) **U.S. Cl.**  
 USPC ..... **D23/209**

(58) **Field of Classification Search**  
 USPC ..... D23/207, 209, 365  
 CPC . C02F 1/003; C02F 1/42; B01D 35/30; B01D  
 35/153; B01D 29/111; B01D 39/12;  
 B29C 47/682

See application file for complete search history.

(56) **References Cited**

**U.S. PATENT DOCUMENTS**

- 4,915,831 A \* 4/1990 Taylor ..... B01D 35/30  
206/1.5
- 5,925,245 A \* 7/1999 Bradford ..... B01D 35/30  
210/232
- D610,649 S \* 2/2010 Kulikov ..... B01D 35/30  
D23/209
- D641,066 S \* 7/2011 Choi ..... D23/209

- D668,741 S \* 10/2012 Choi ..... D23/209
- D783,774 S \* 4/2017 Costantini ..... D23/209
- 9,688,546 B2 \* 6/2017 Froelicher ..... C02F 1/003

\* cited by examiner

*Primary Examiner* — Robin V Webster

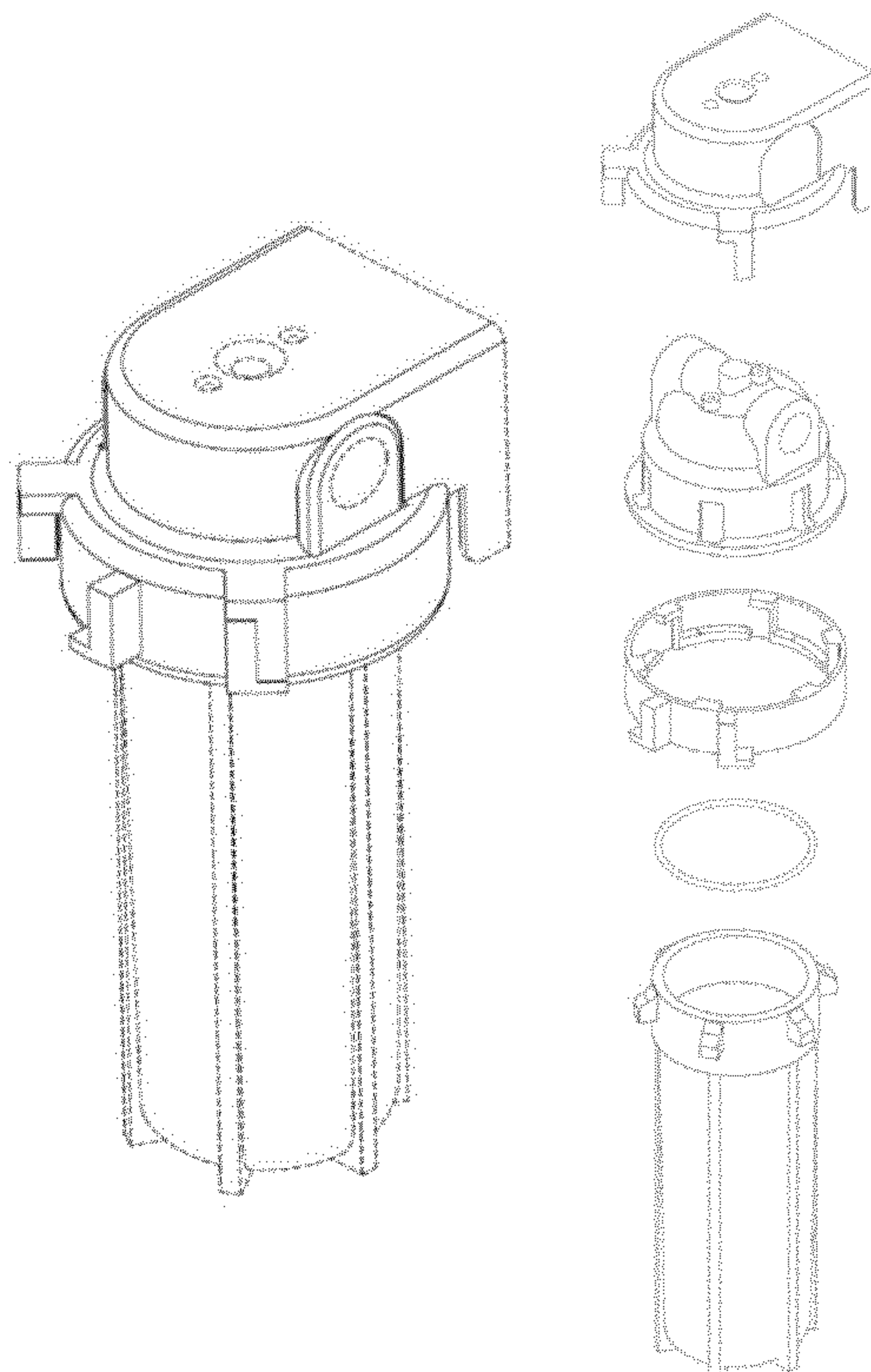
(57) **CLAIM**

The ornamental design for a quick change filter housing, as shown and described.

**DESCRIPTION**

FIG. 1 is a perspective view of a quick change filter housing showing my new design;  
 FIG. 2 is a front elevational view thereof;  
 FIG. 3 is a back elevational view thereof;  
 FIG. 4 is a top plan view thereof;  
 FIG. 5 is a left elevational view thereof;  
 FIG. 6 is a bottom plan view thereof;  
 FIGS. 7, 8 and 9 are perspective views of three alternative positions thereof; and,  
 FIG. 10 is an exploded perspective view thereof.  
 The right elevational view of the design is a mirror image of the left elevational view shown in FIG. 5. Those portions of the drawing shown in broken lines form no part of the claimed design.

**1 Claim, 3 Drawing Sheets**





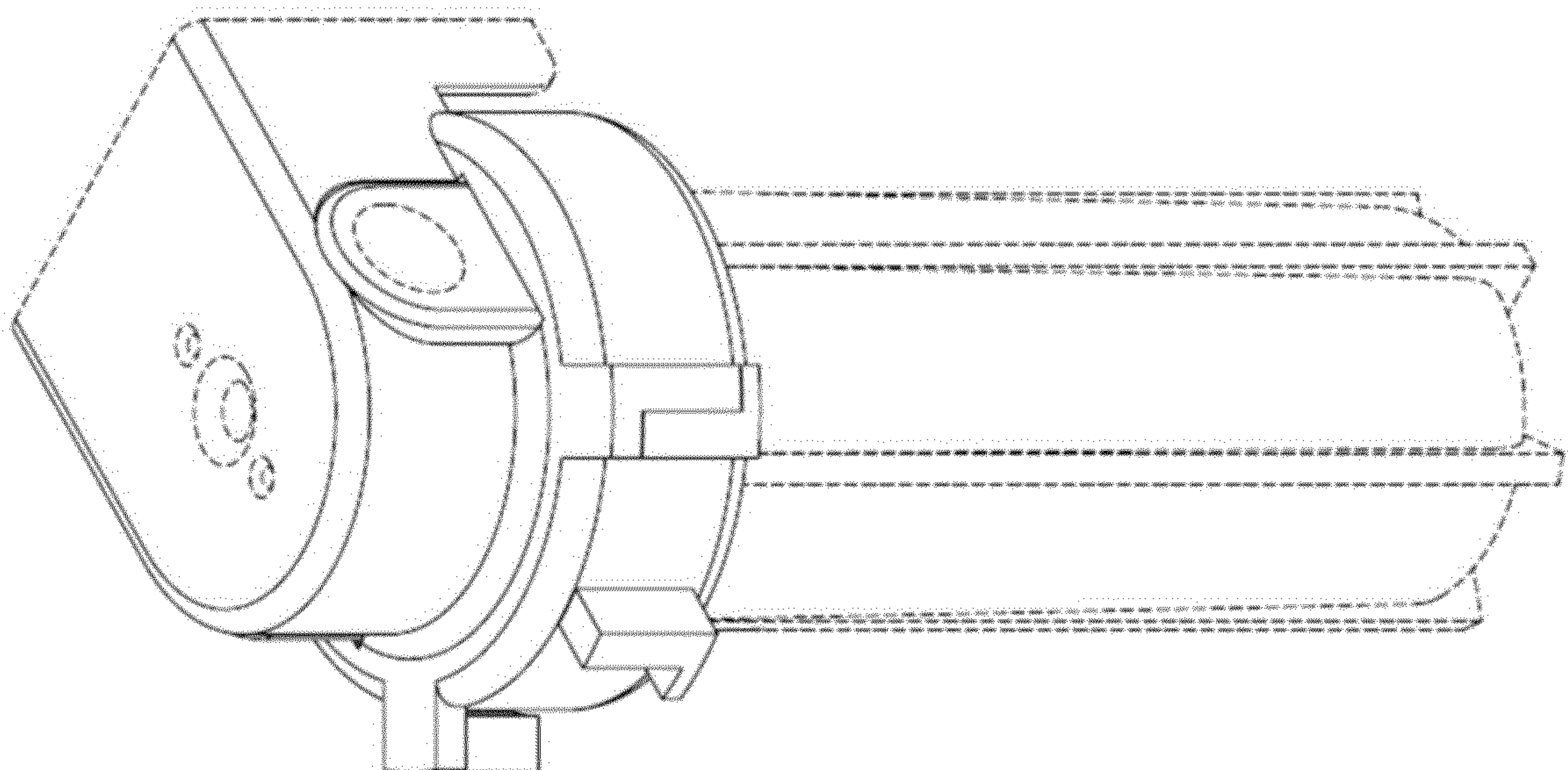


Fig. 1

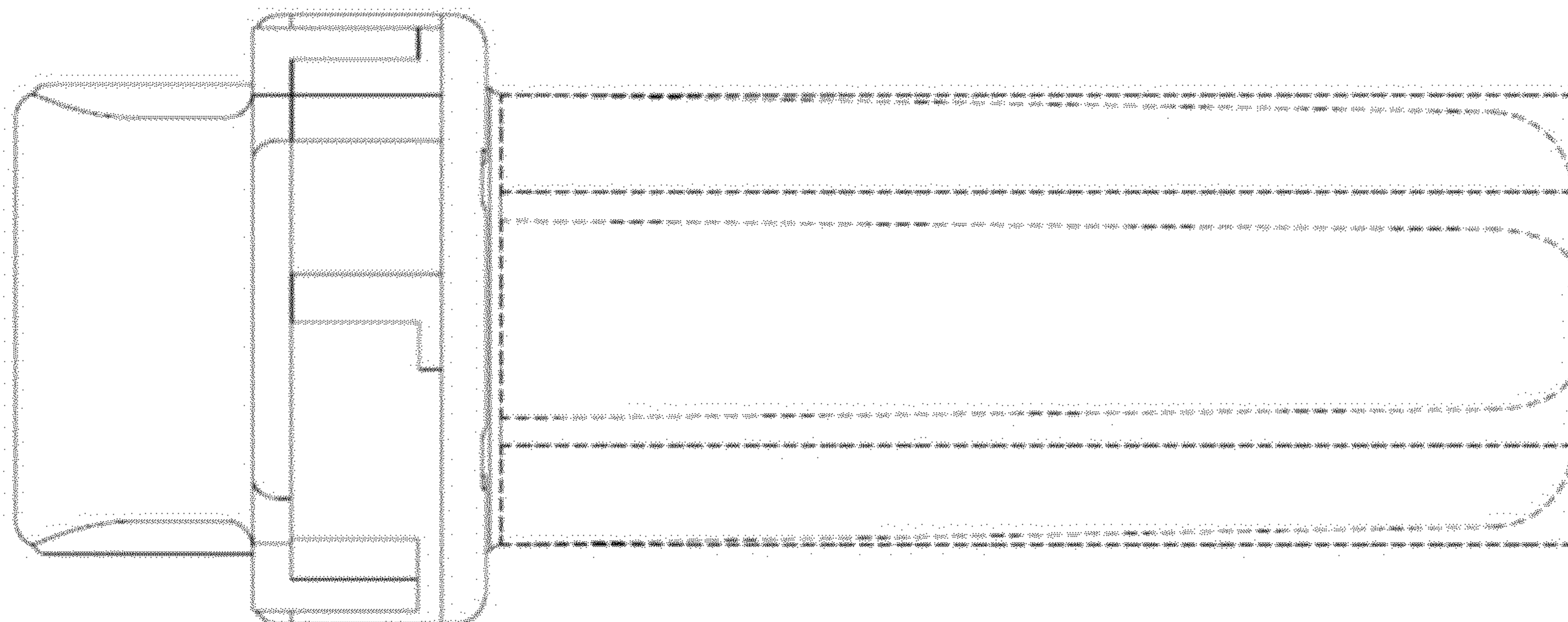


Fig. 2

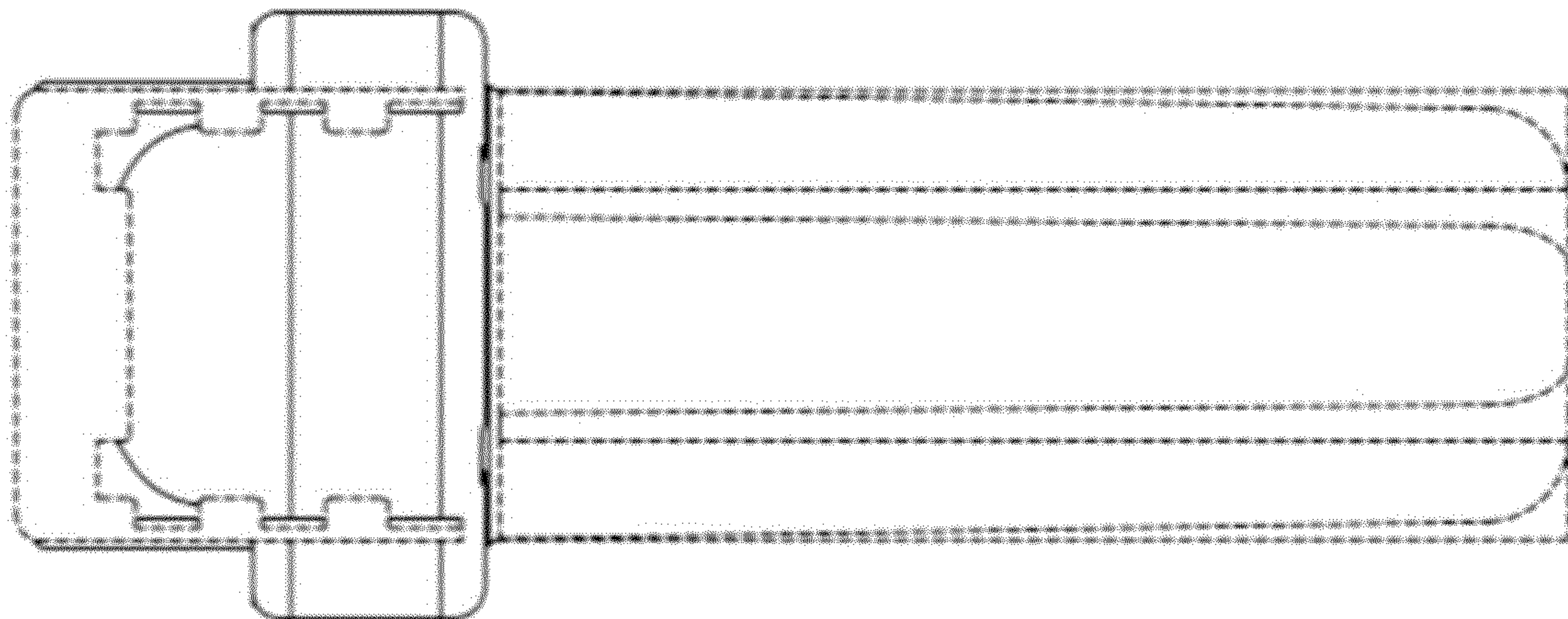


Fig. 3

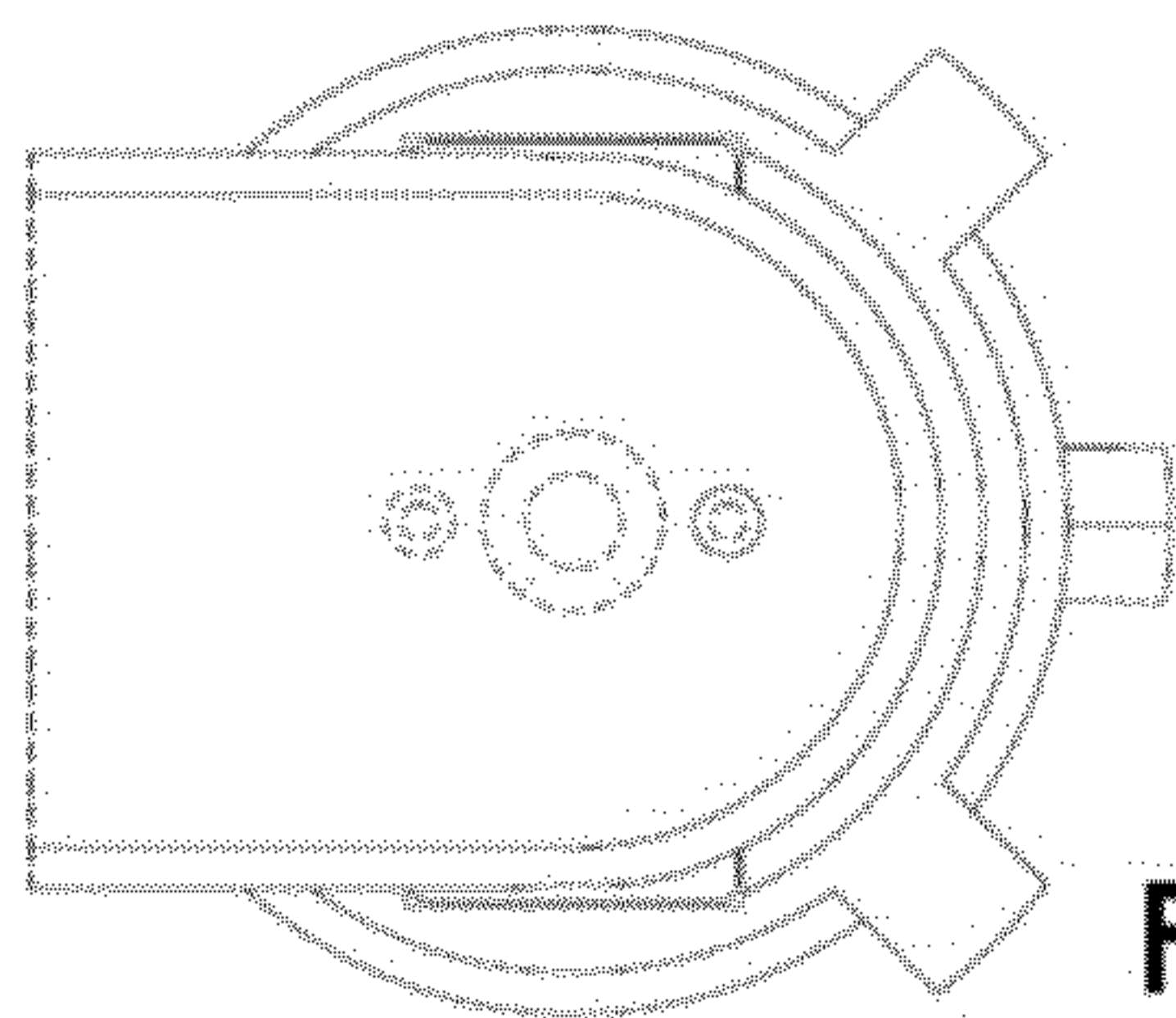


Fig. 4

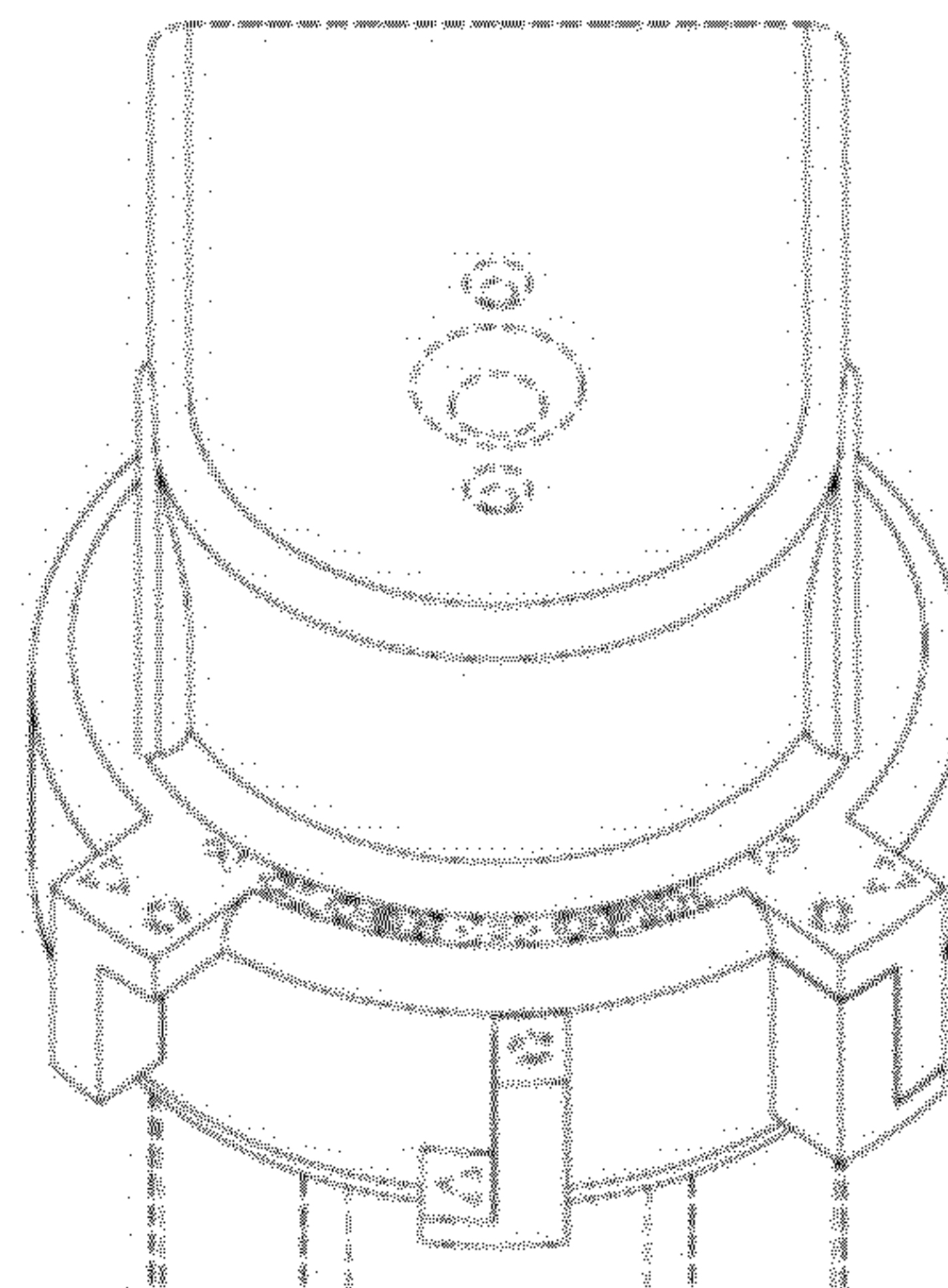


Fig. 7

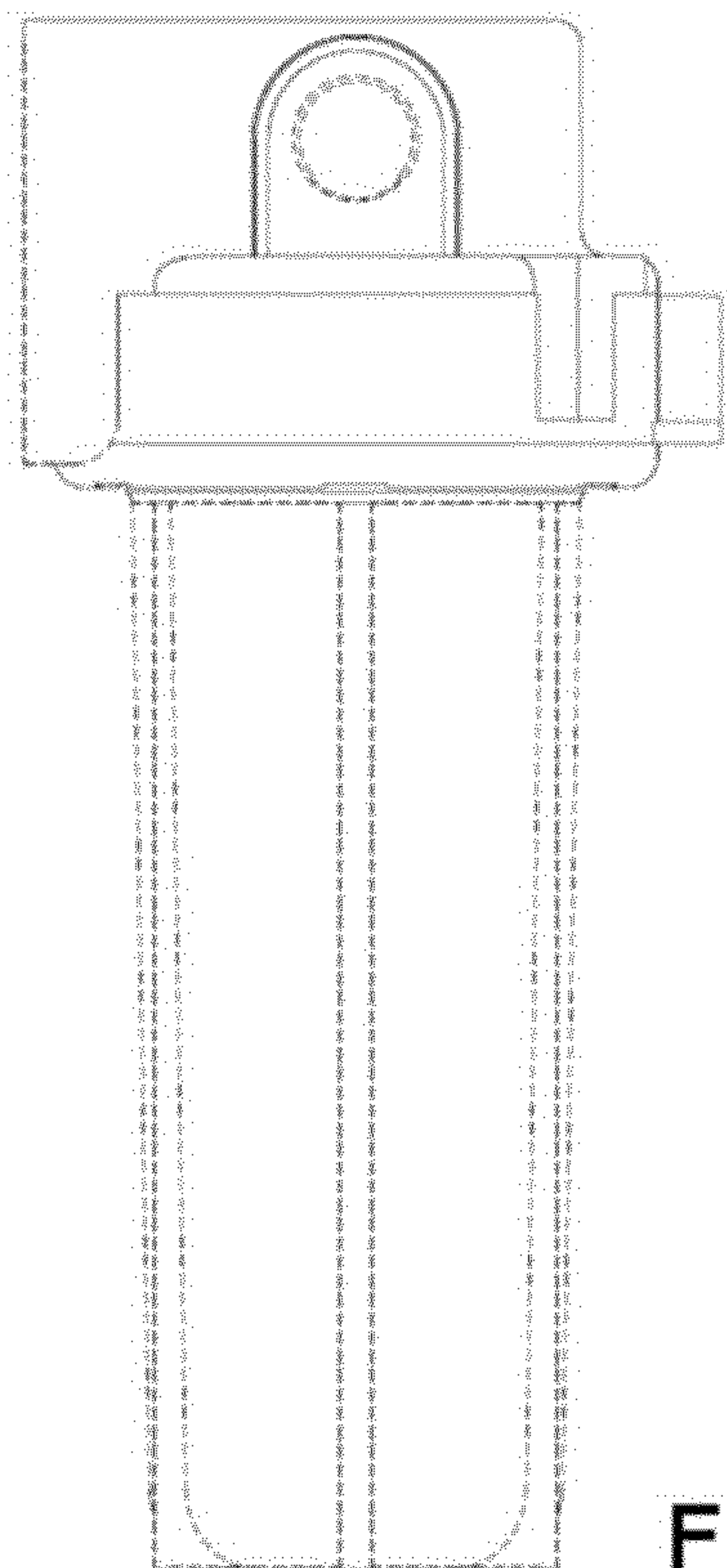


Fig. 5

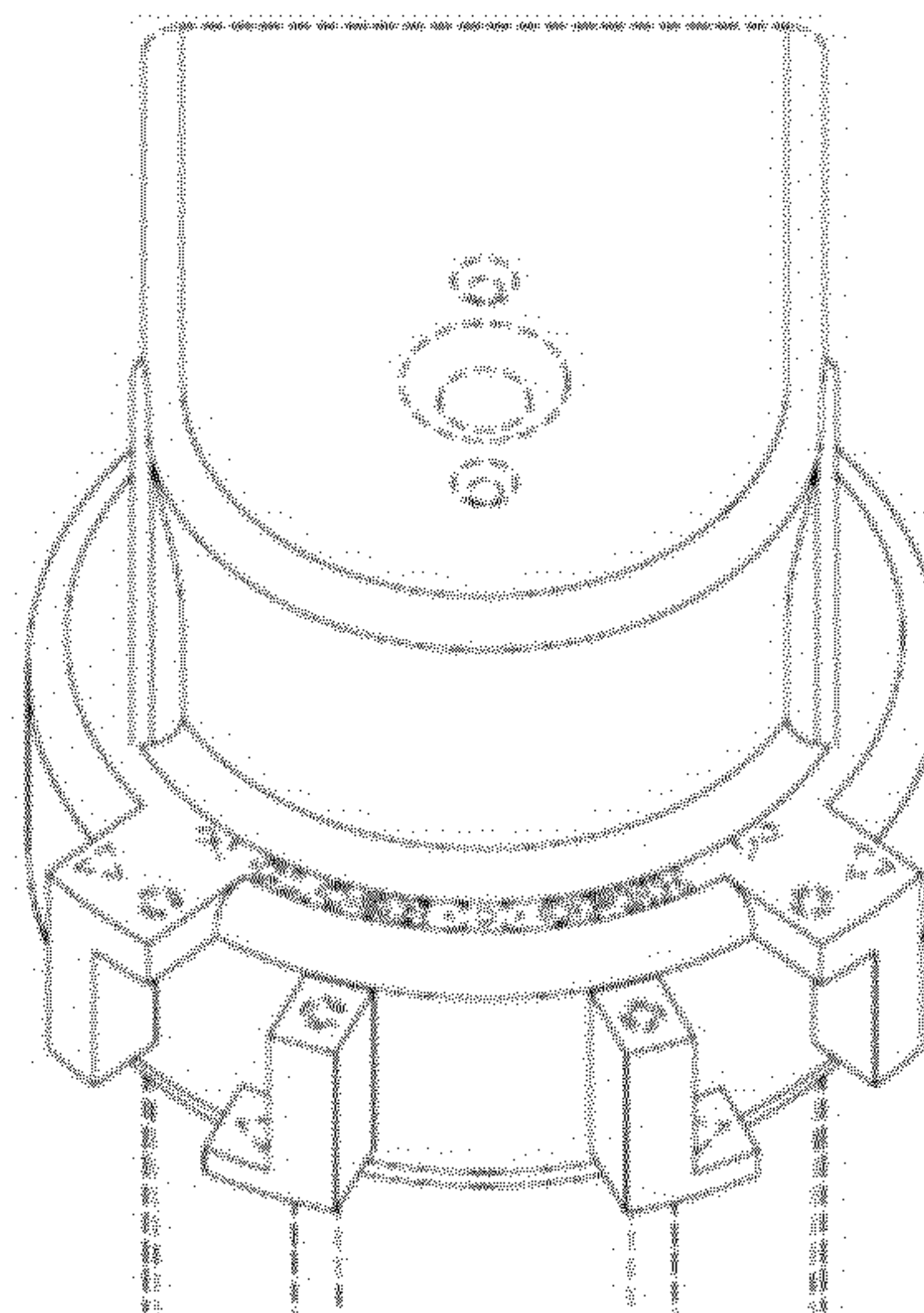


Fig. 8

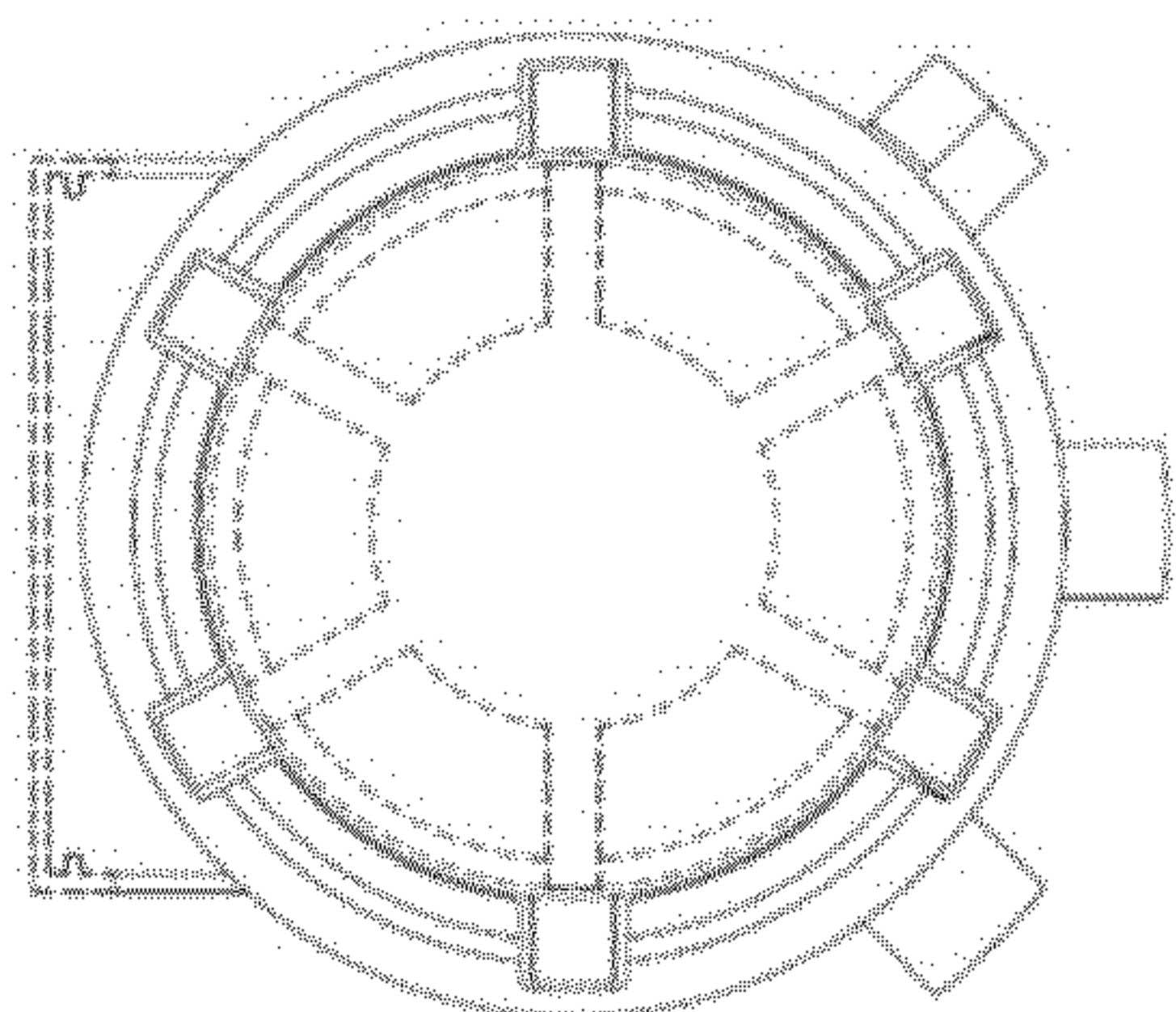


Fig. 6

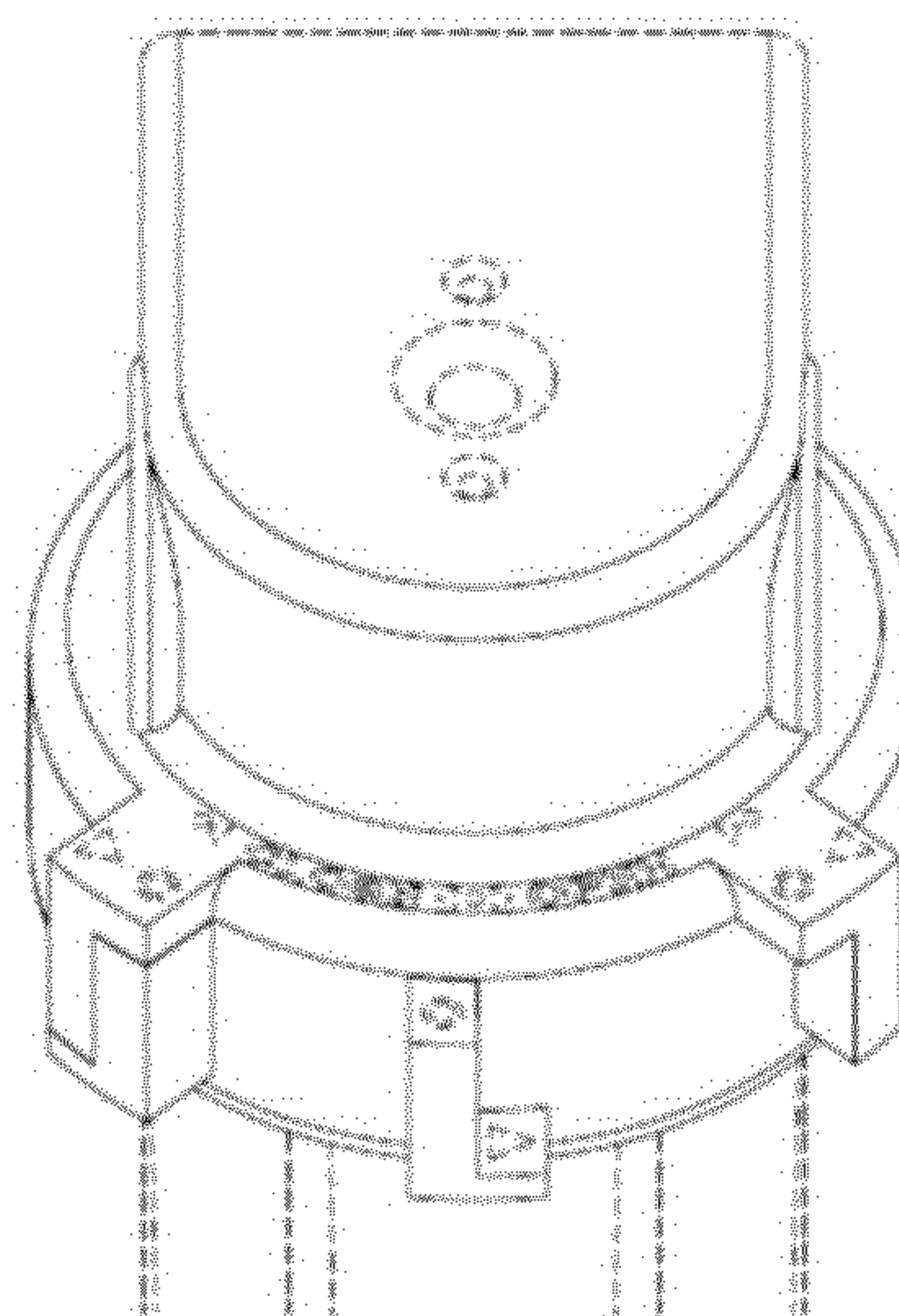


Fig. 9



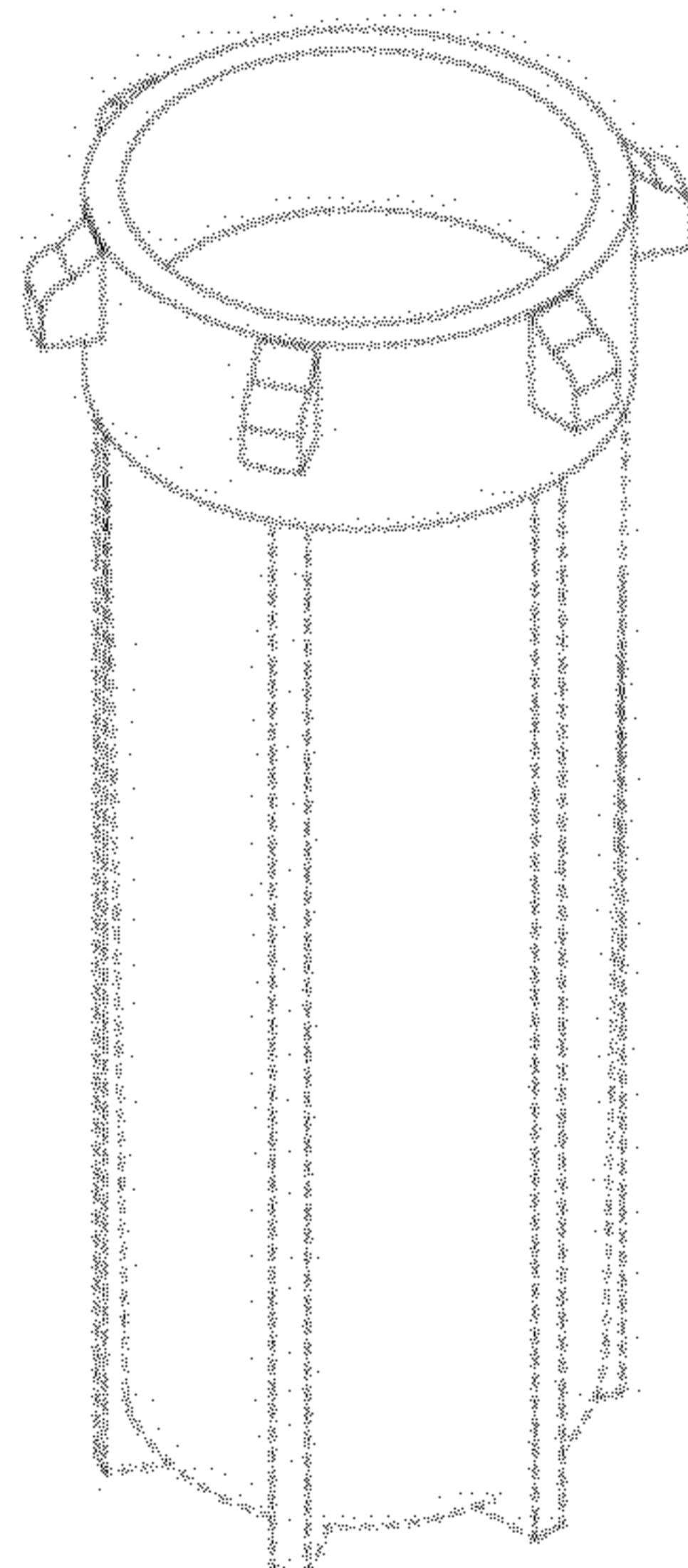
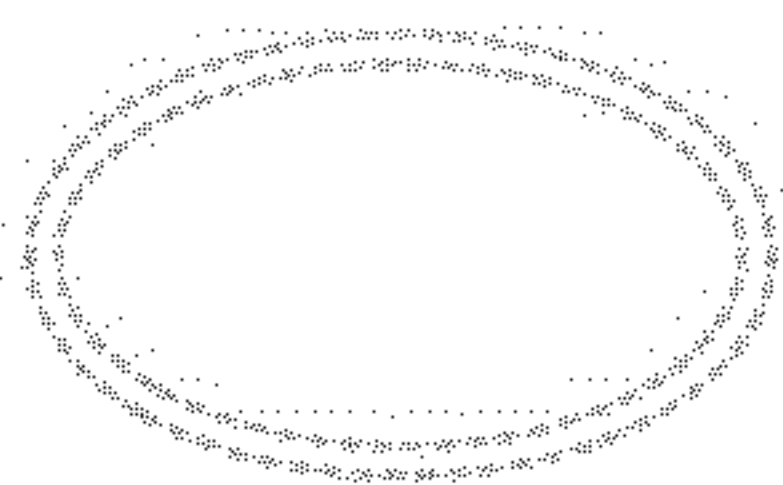
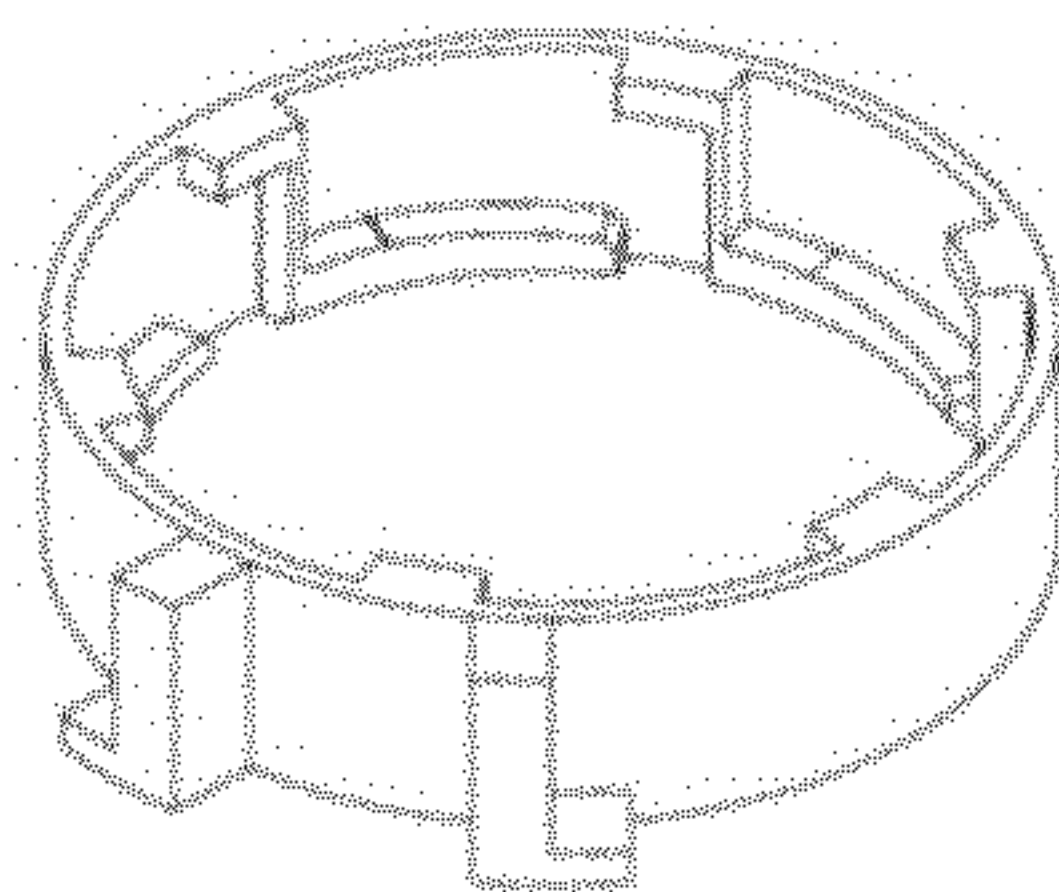
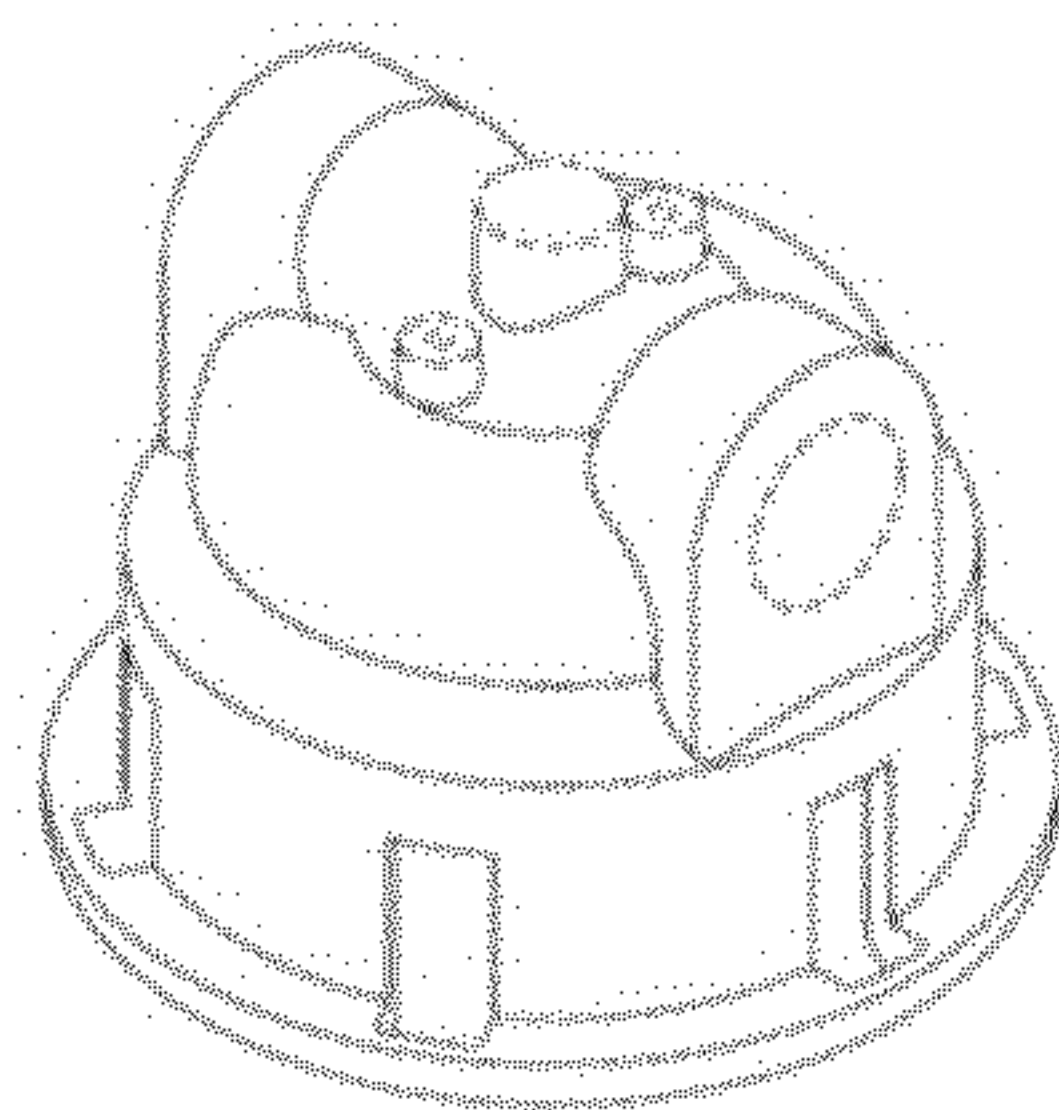
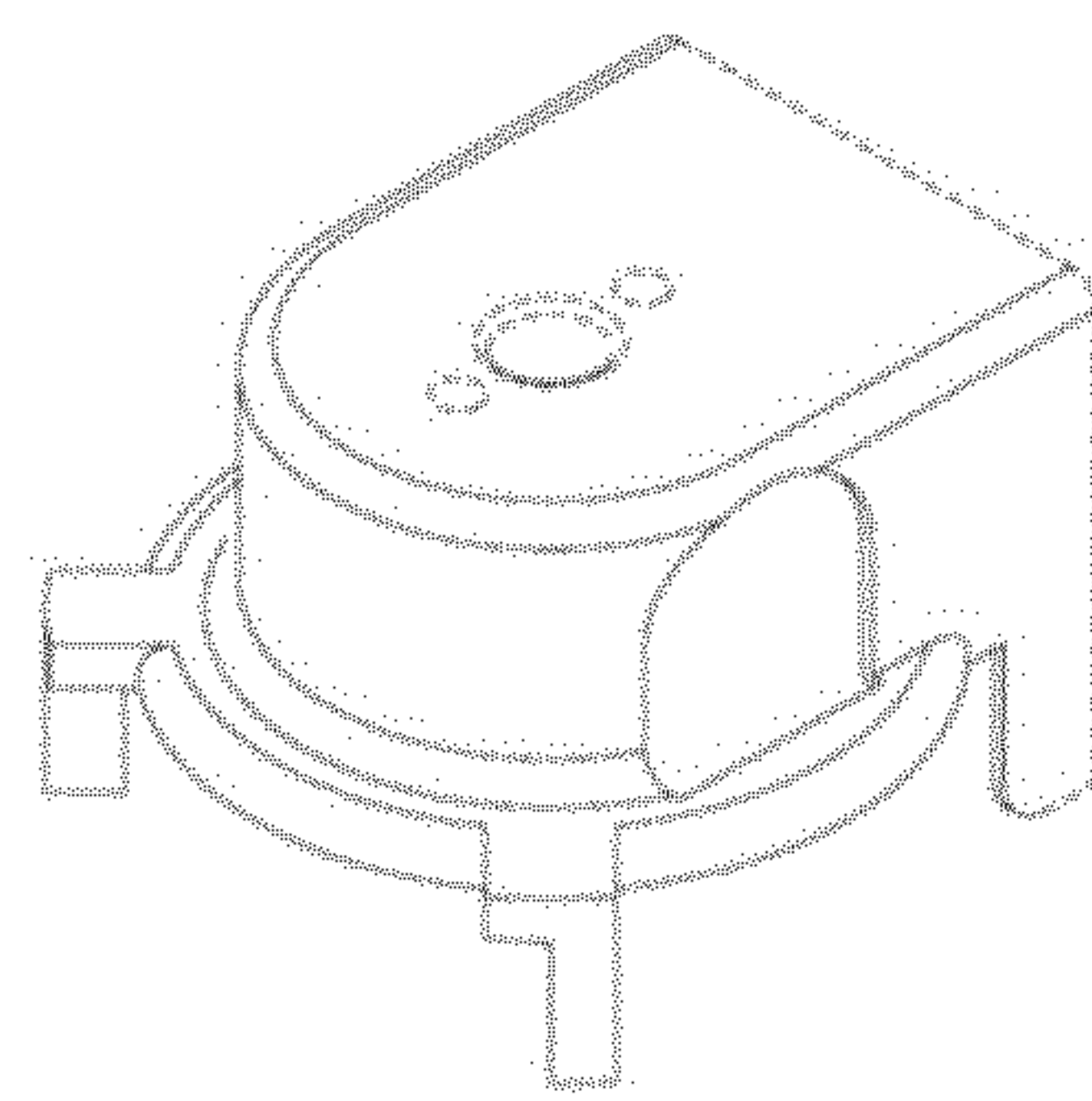


Fig. 10