

US00D832389S

(12) **United States Design Patent**
Rogers et al.

(10) **Patent No.:** **US D832,389 S**
(45) **Date of Patent:** **** Oct. 30, 2018**

- (54) **SPEEDLOADER HOLDER**
- (71) Applicant: **Safariland, LLC**, Jacksonville, FL (US)
- (72) Inventors: **William H. Rogers**, St. Augustine, FL (US); **Dylan K. Vaccaro**, Jacksonville, FL (US)
- (73) Assignee: **Safariland, LLC**, Jacksonville, FL (US)
- (**) Term: **15 Years**
- (21) Appl. No.: **29/602,655**
- (22) Filed: **May 2, 2017**

Related U.S. Application Data

- (62) Division of application No. 29/545,024, filed on Nov. 9, 2015, now Pat. No. Des. 801,467.
- (51) **LOC (11) Cl.** **22-01**
- (52) **U.S. Cl.**
USPC **D22/108**; D3/222
- (58) **Field of Classification Search**
USPC D22/108–111, 199; 42/88; D3/221, 222, D3/228, 229
CPC F42B 39/00; F42B 39/002; F42B 39/087; F42B 39/10; F42B 39/26; F42B 5/26; F41A 9/85
See application file for complete search history.

References Cited

U.S. PATENT DOCUMENTS

- 3,002,416 A * 10/1961 Casler F42B 39/10 86/48
- D193,095 S * 6/1962 Bornefeld D22/199
- 4,032,036 A * 6/1977 Sycle, Jr. B65D 45/16 220/301
- 4,286,741 A * 9/1981 Rogers F41C 33/0263 224/193
- D443,331 S * 6/2001 Lidmar D22/100

- D642,793 S * 8/2011 Rogers F41A 9/65 D3/222
 - 8,631,981 B2 * 1/2014 Zusman F41C 33/0227 224/243
 - D702,798 S * 4/2014 Booth D22/108
 - D757,199 S * 5/2016 Bender D22/108
 - D780,279 S * 2/2017 Bosco D22/108
- (Continued)

OTHER PUBLICATIONS

ContinentalOp, JOX Speedloader Pouch: Initial Impressions, posted at Smith & Wesson Forum, posting date Jul. 6, 2015. [online], [site visited Jun. 20, 2017]. Available from Internet, <URL: <http://smith-wessonforum.com/gun-leather-carry-gear/436705-jox-speedloader-pouch-initial-impressions.html>>.*

(Continued)

Primary Examiner — Kevin K Rudzinski
Assistant Examiner — Kathleen L Jones
 (74) *Attorney, Agent, or Firm* — Kane Kessler, P.C.; Paul E. Szabo

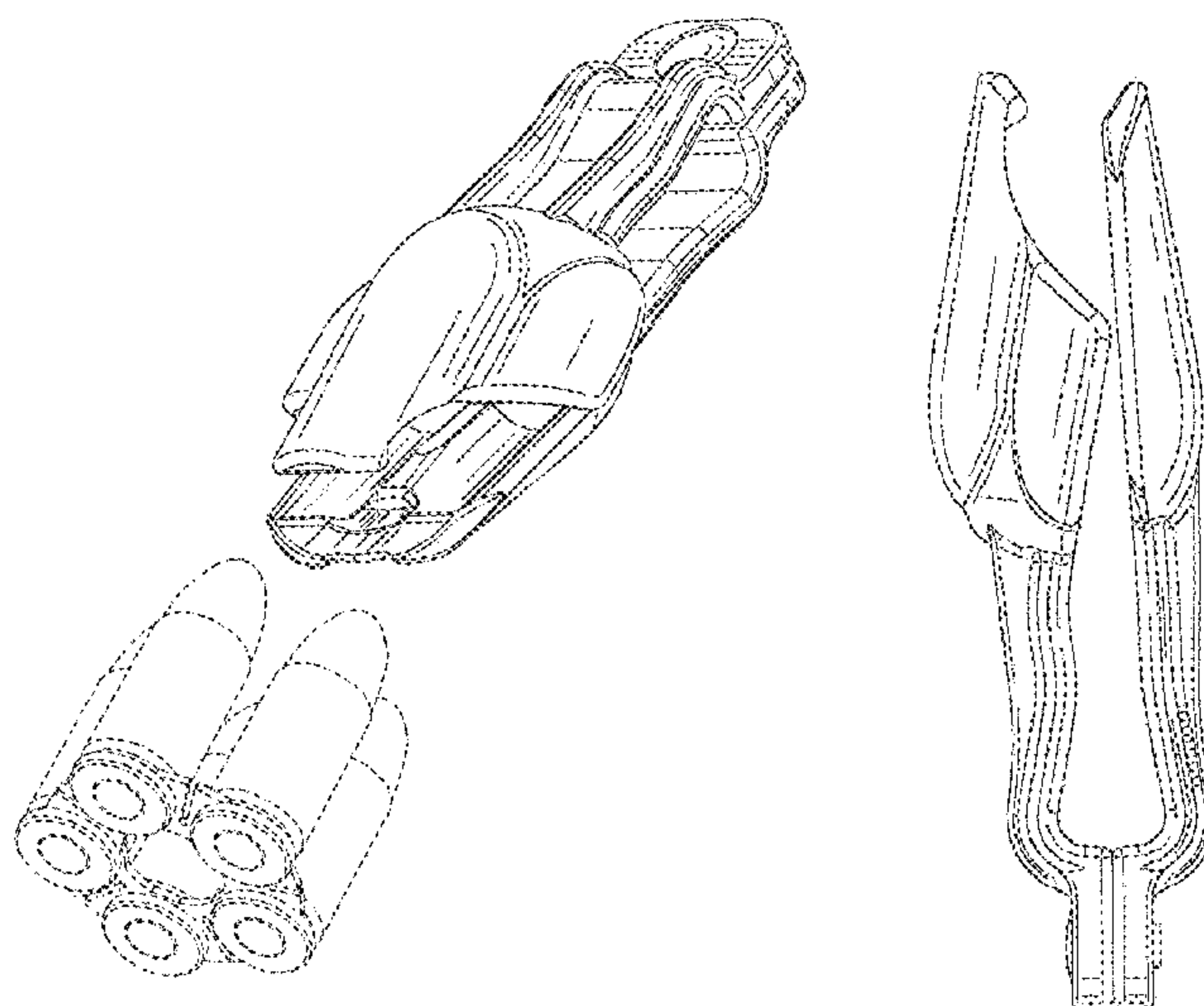
(57) **CLAIM**

The ornamental design for a speedloader holder, as shown and described.

DESCRIPTION

FIG. 1 is a perspective view of the speedloader holder. The broken lines show a speedloader that forms no part of the claimed design;
 FIG. 2 is a top plan view thereof;
 FIG. 3 is a bottom plan view thereof;
 FIG. 4 is a left side elevational view thereof;
 FIG. 5 is a right side elevational view thereof;
 FIG. 6 is a front elevational view thereof; and,
 FIG. 7 is a rear elevational view thereof.
 The material shown in broken lines is environment and forms no part of the claimed design.

1 Claim, 4 Drawing Sheets



(56)

References Cited

U.S. PATENT DOCUMENTS

9,581,421 B2 * 2/2017 Sitz F42B 39/08
D781,577 S * 3/2017 Hansen D3/221
9,596,926 B1 * 3/2017 Volmer A45F 5/02
D783,758 S * 4/2017 Clark D22/108
D787,002 S * 5/2017 Hawkins D22/108
D787,176 S * 5/2017 Wilson D3/221
9,651,347 B2 * 5/2017 Rodriguez F42B 39/02
D801,467 S * 10/2017 Rogers D22/108
2012/0175391 A1 * 7/2012 Rogers A45F 5/02
224/182
2013/0240695 A1 * 9/2013 Chaung H05K 5/0204
248/220.22

OTHER PUBLICATIONS

North Mountain Moon Clip Holder IDPA Single Short Post w/
Tek-Lok, posted at Shooters Connection, posting date Feb. 8, 2012.
[online], [site visited Jun. 20, 2017]. Available from Internet, <URL:
<https://www.shootersconnectionstore.com/North-Mountain-Moon-Clip-Holder-IDPA-Single-Short-Post-w-Tek-Lok-P2308.aspx>>.*
CCW Moon Clip Loading/ Unloading Tool, 38/357 8-Shot N-Frame,
posted at Dillon Precision, posting date Oct. 4, 2008. [online], [site
visited Jun. 20, 2017]. Available from Internet, <URL: http://www.dillonprecision.com/ccw-moon-clip-loading-unloading-tool-38-357-8-shot-n-frame_8_32_25535.html>.*

* cited by examiner

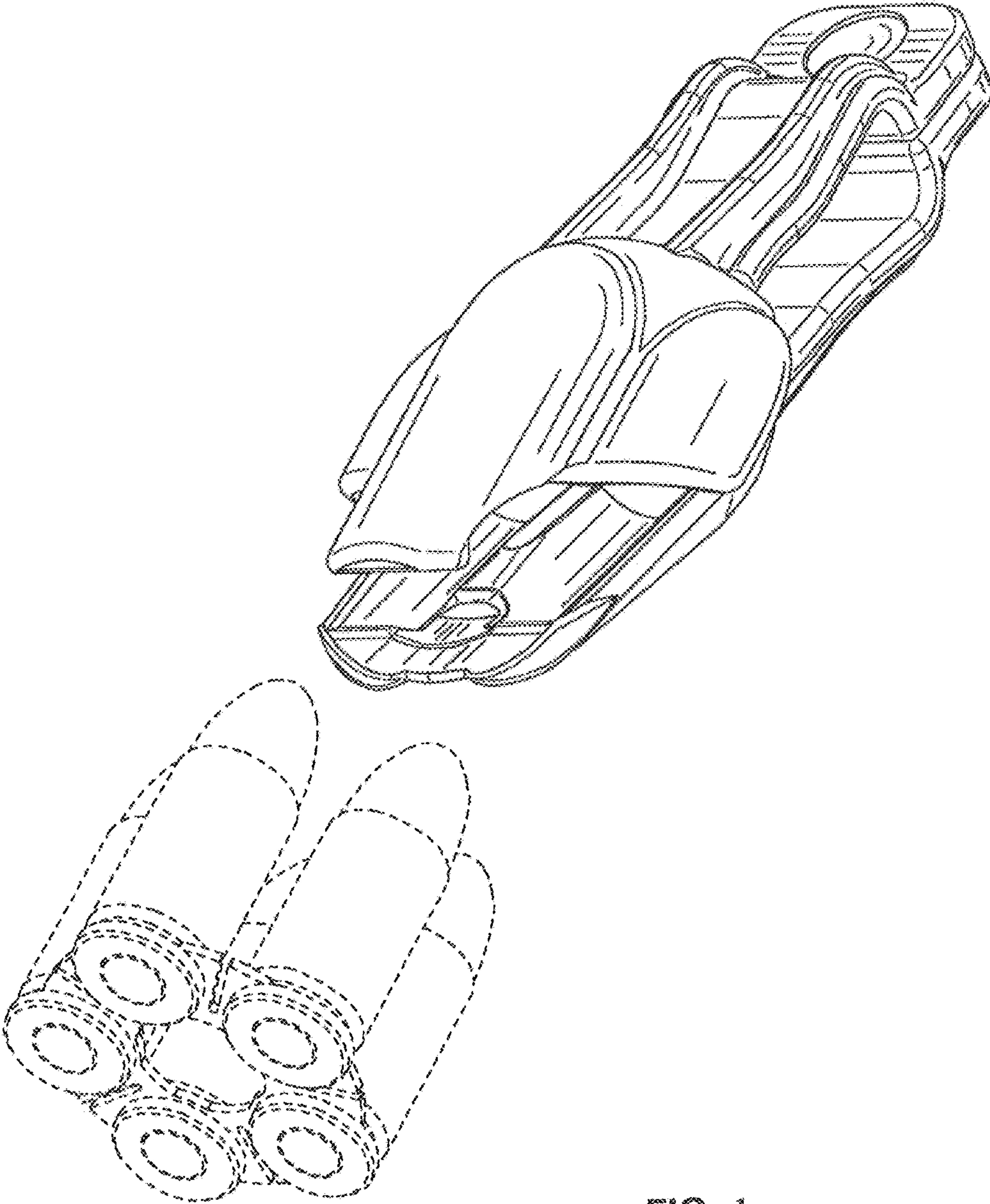


FIG. 1

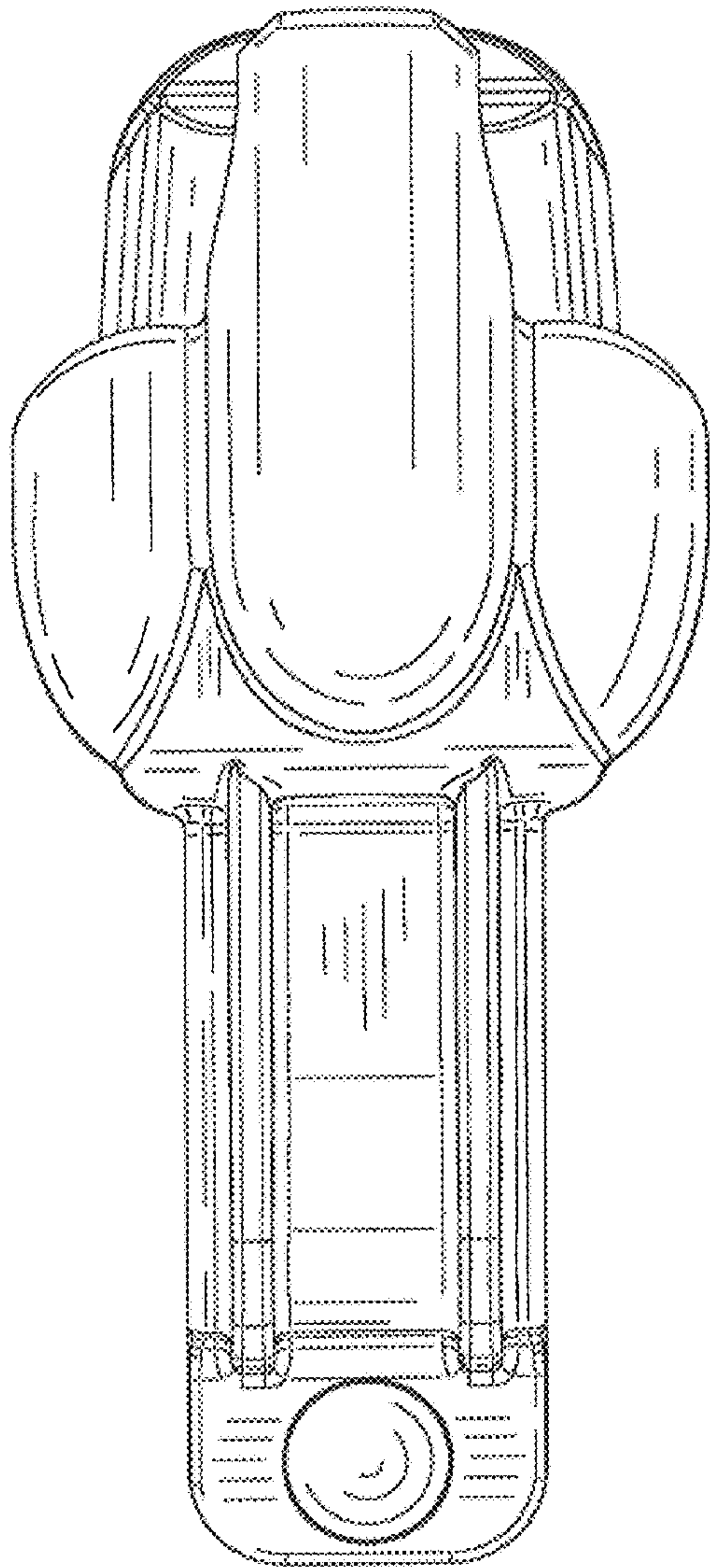


FIG. 2

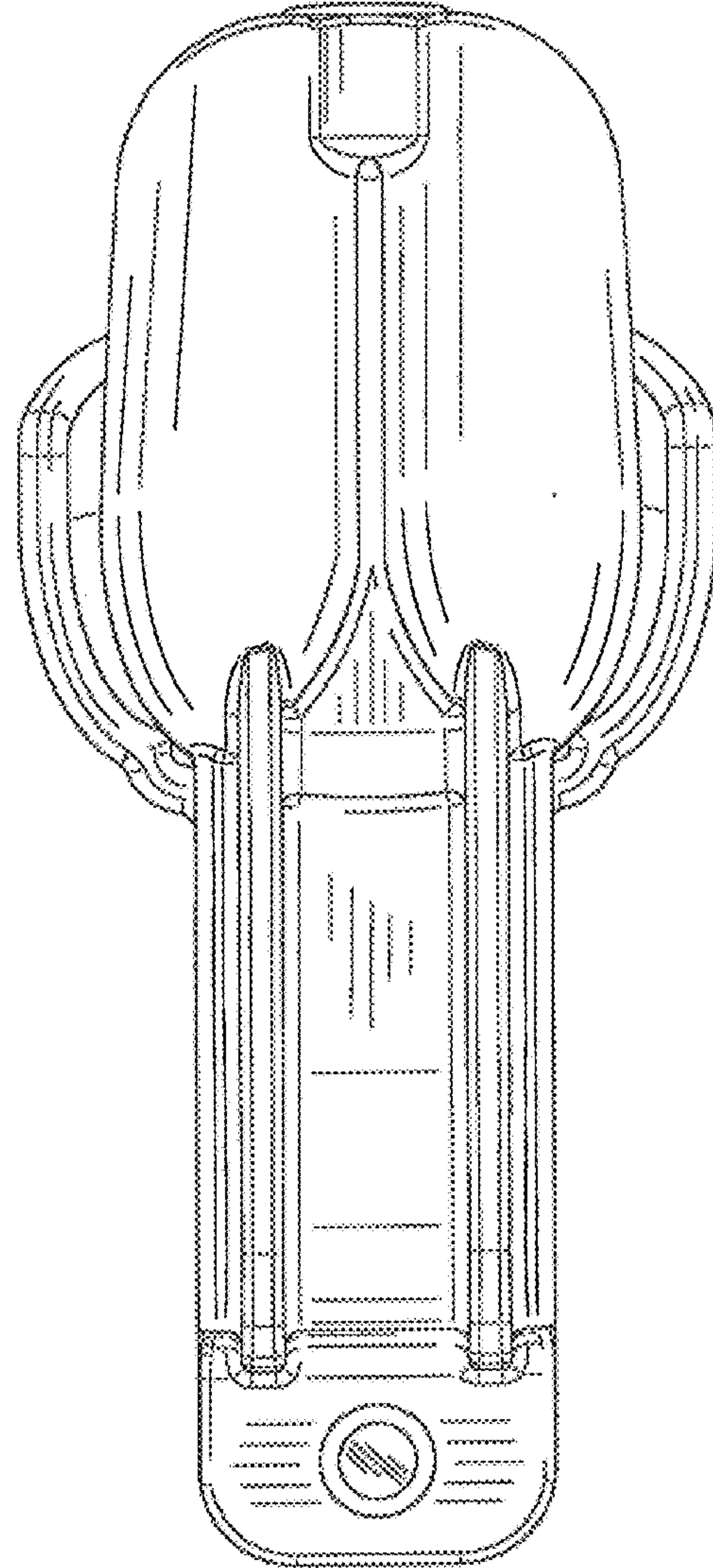


FIG. 3

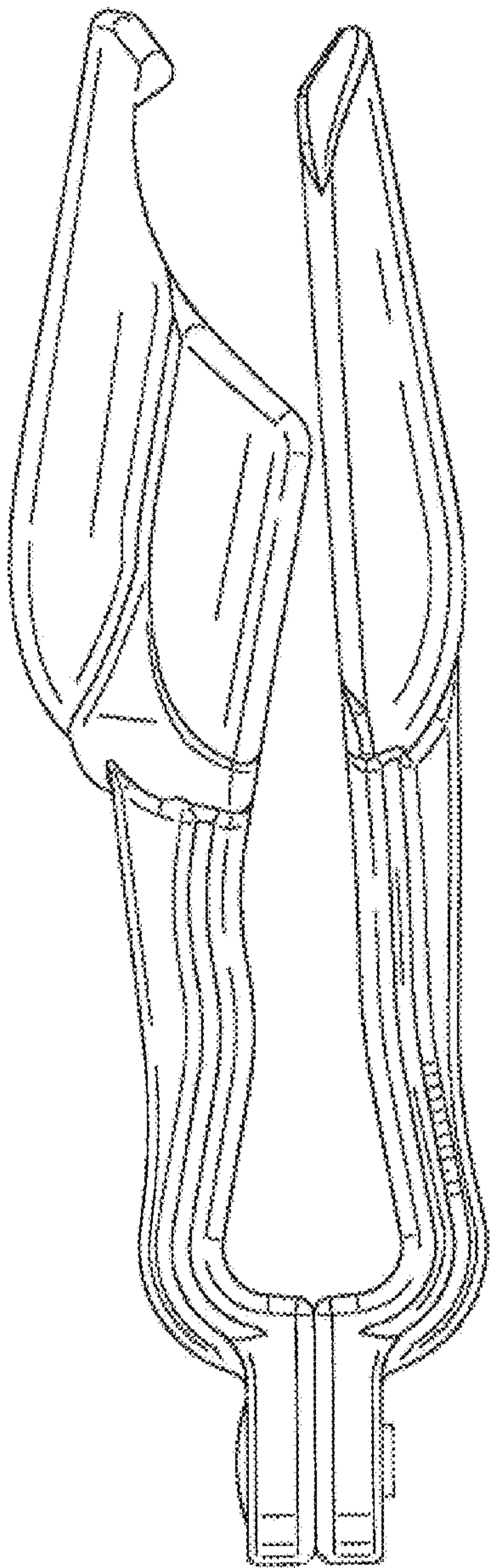


FIG. 4

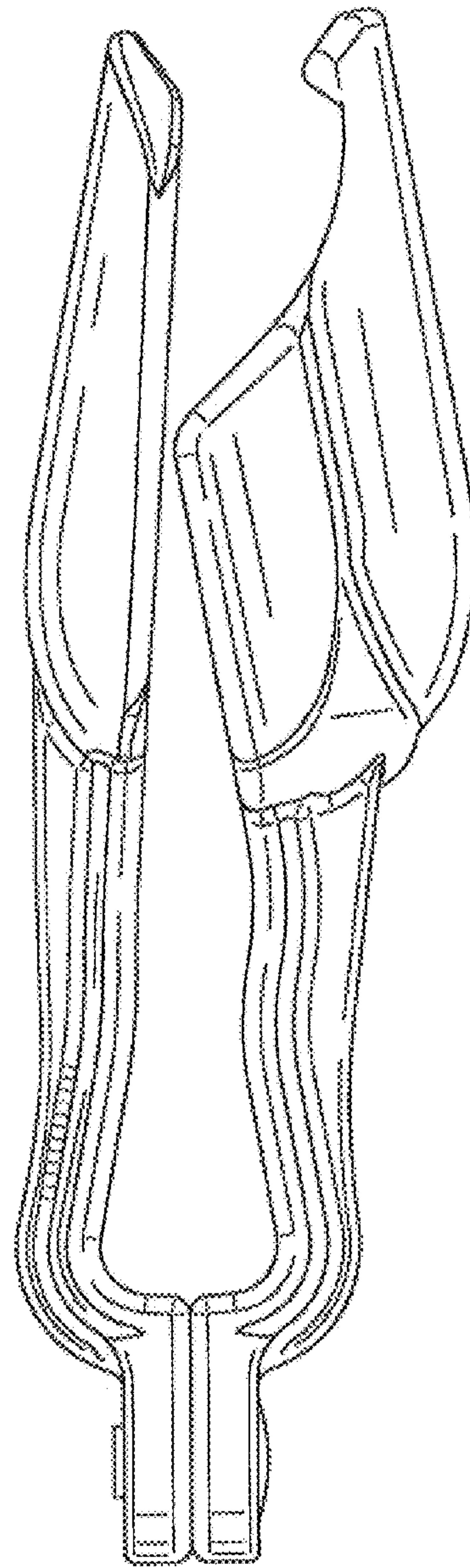


FIG. 5

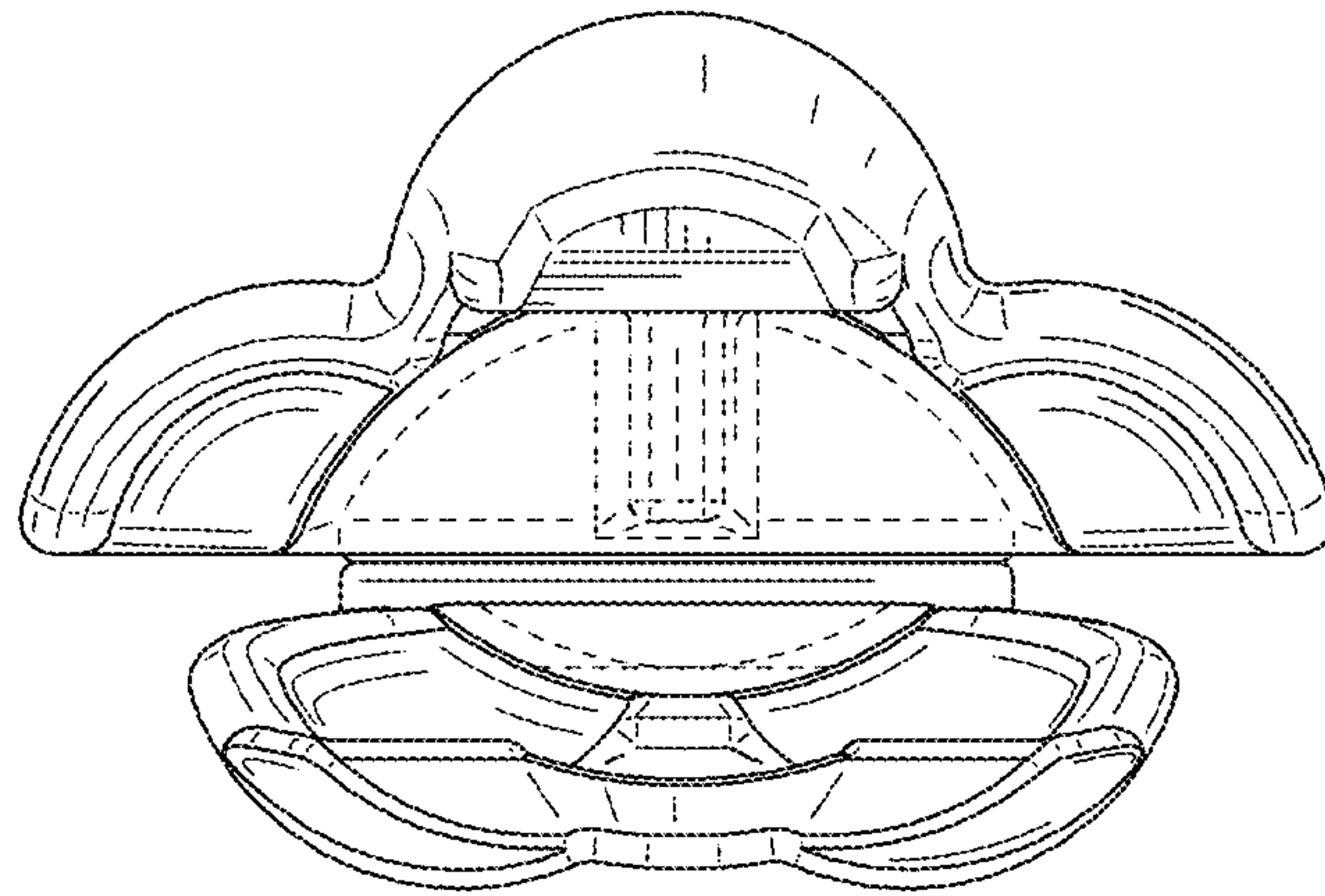


FIG. 6

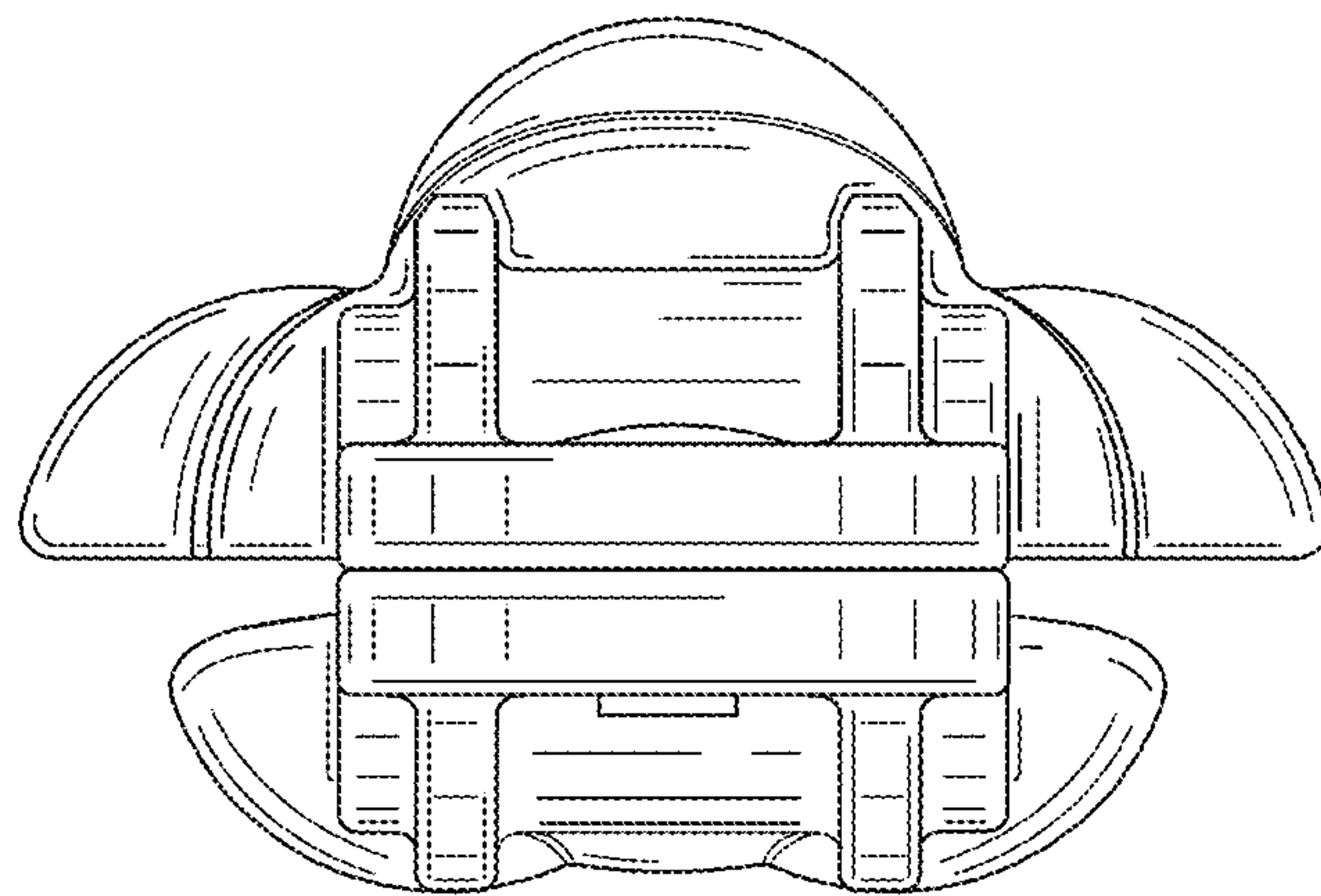


FIG. 7