



US00D832387S

(12) **United States Design Patent**
Robinson et al.

(10) **Patent No.:** **US D832,387 S**

(45) **Date of Patent:** **** Oct. 30, 2018**

(54) **ADJUSTABLE FIREARM STOCK**
(71) Applicant: **RMDI, LLC**, North Salt Lake, UT
(US)

(72) Inventors: **Alexander J. Robinson**, Salt Lake City,
UT (US); **Eric Randall Keeney**, North
Salt Lake, UT (US); **Chad Larry**
Meeks, North Salt Lake, UT (US)

(73) Assignee: **RMDI, LLC**, North Salt Lake, UT
(US)

(**) Term: **15 Years**

(21) Appl. No.: **29/575,281**

(22) Filed: **Aug. 23, 2016**

Related U.S. Application Data

(63) Continuation-in-part of application No. 13/651,411,
filed on Oct. 13, 2012, now Pat. No. 9,664,478.

(51) **LOC (11) Cl.** **22-01**

(52) **U.S. Cl.**
USPC **D22/108**

(58) **Field of Classification Search**
USPC D22/103, 108
CPC F41C 23/04; F41C 23/14; F41C 23/06;
F41C 23/22; F41C 33/007
See application file for complete search history.

(56) **References Cited**

U.S. PATENT DOCUMENTS

7,596,900	B2	10/2009	Robinson et al.	
7,762,018	B1	7/2010	Fitzpatrick et al.	
7,866,078	B1	1/2011	Beretta	
D636,834	S *	4/2011	Mayberry	D22/108
7,937,873	B2	5/2011	Keng	
D640,342	S *	6/2011	Fitzpatrick	D22/108
D692,087	S *	10/2013	Fitzpatrick	D22/108
8,984,790	B2	3/2015	Wilson et al.	
D731,023	S *	6/2015	Hirt	D22/108

D736,336	S *	8/2015	Mayberry	D22/108
D760,326	S *	6/2016	Chu	D21/573
D773,005	S *	11/2016	Ding	D22/108
D773,591	S *	12/2016	Morenz	D22/108
D773,593	S *	12/2016	Hopkins	D22/108

(Continued)

FOREIGN PATENT DOCUMENTS

EP 2636983 9/2013

OTHER PUBLICATIONS

English translation of the abstract of EP2636983. Sep. 11, 2013.

Primary Examiner — Michael A. Pratt

(57) **CLAIM**

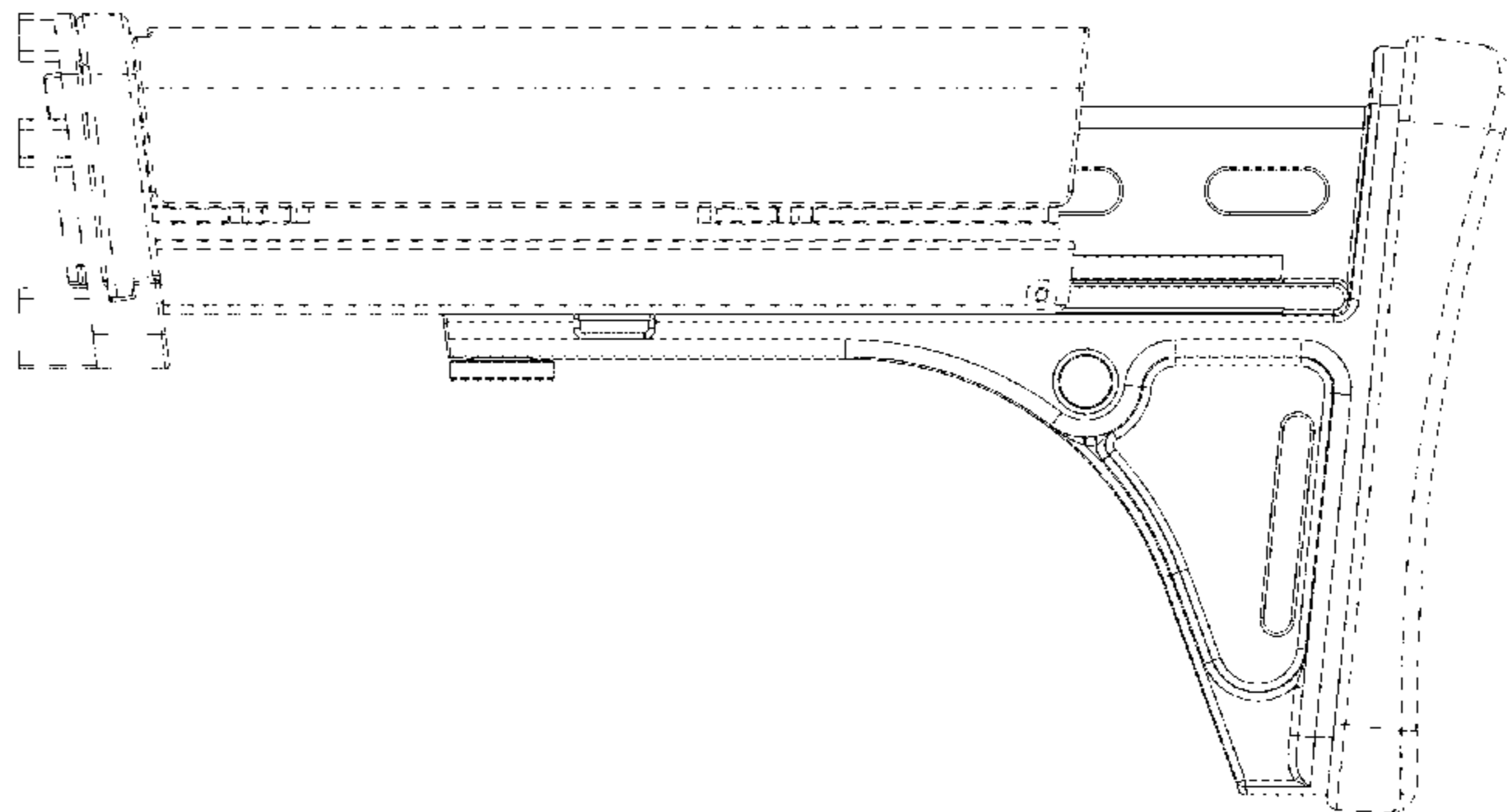
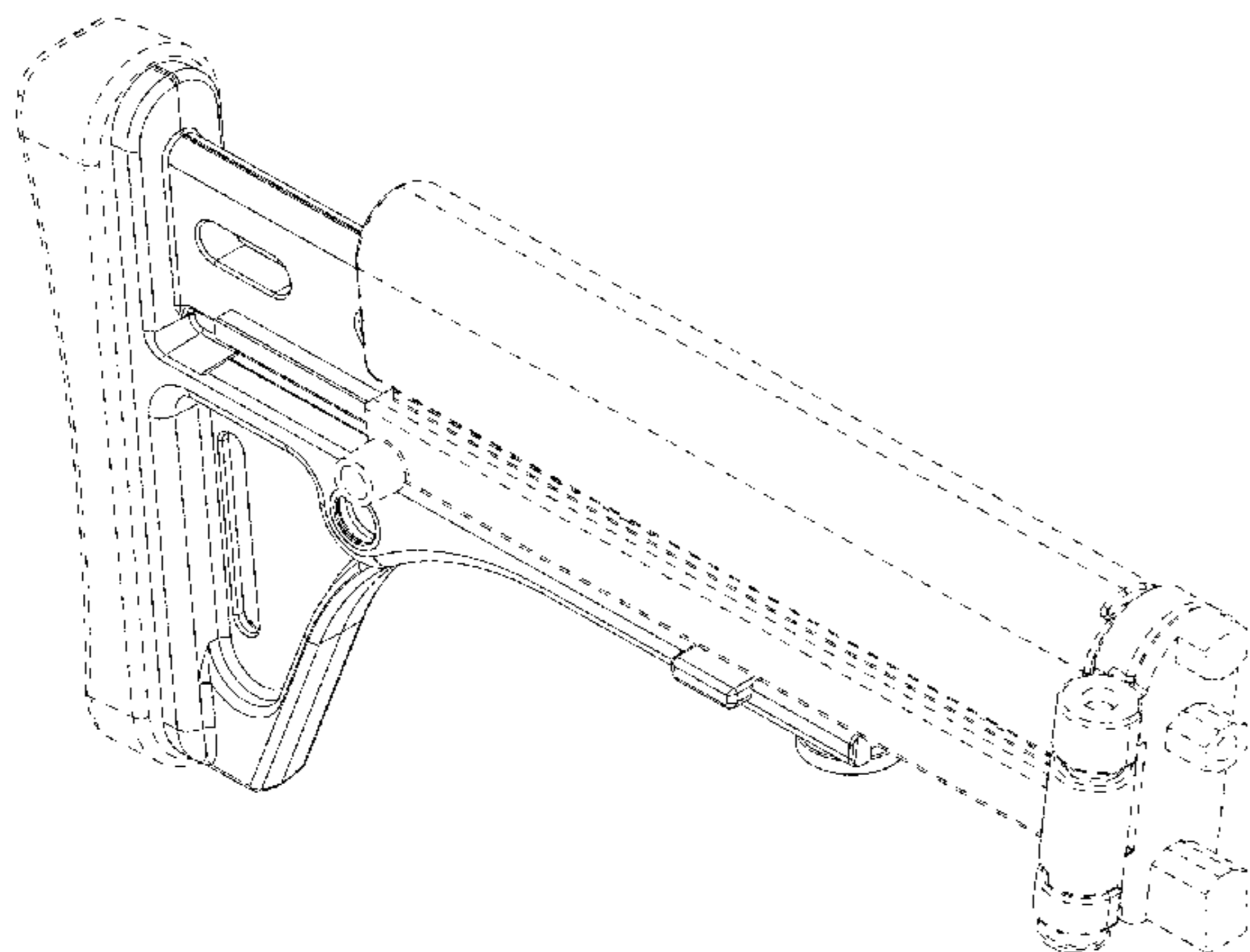
The ornamental design for an adjustable firearm stock, as shown and described.

DESCRIPTION

FIG. 1 is a perspective view of an adjustable firearm stock of the present invention;
FIG. 2 is a front view of the adjustable firearm stock of FIG. 1;
FIG. 3 is a left view of the adjustable firearm stock of FIG. 1;
FIG. 4 is a rear side view of the adjustable firearm stock of FIG. 1;
FIG. 5 is a right side view of the adjustable firearm stock of FIG. 1;
FIG. 6 is a bottom view of the adjustable firearm stock of FIG. 1; and,
FIG. 7 is a top view of the adjustable firearm stock of FIG. 1.

The ornamental design that is claimed is shown in solid lines in the drawings. The broken (dashed) lines shown in the drawings are included for the purpose of illustrating environmental elements only and form no part of the claimed design.

1 Claim, 7 Drawing Sheets



(56)

References Cited

U.S. PATENT DOCUMENTS

D795,985 S * 8/2017 Frederickson D22/108
D796,617 S * 9/2017 Chow D22/108
2018/0023918 A1* 1/2018 Smith F41C 23/04

* cited by examiner

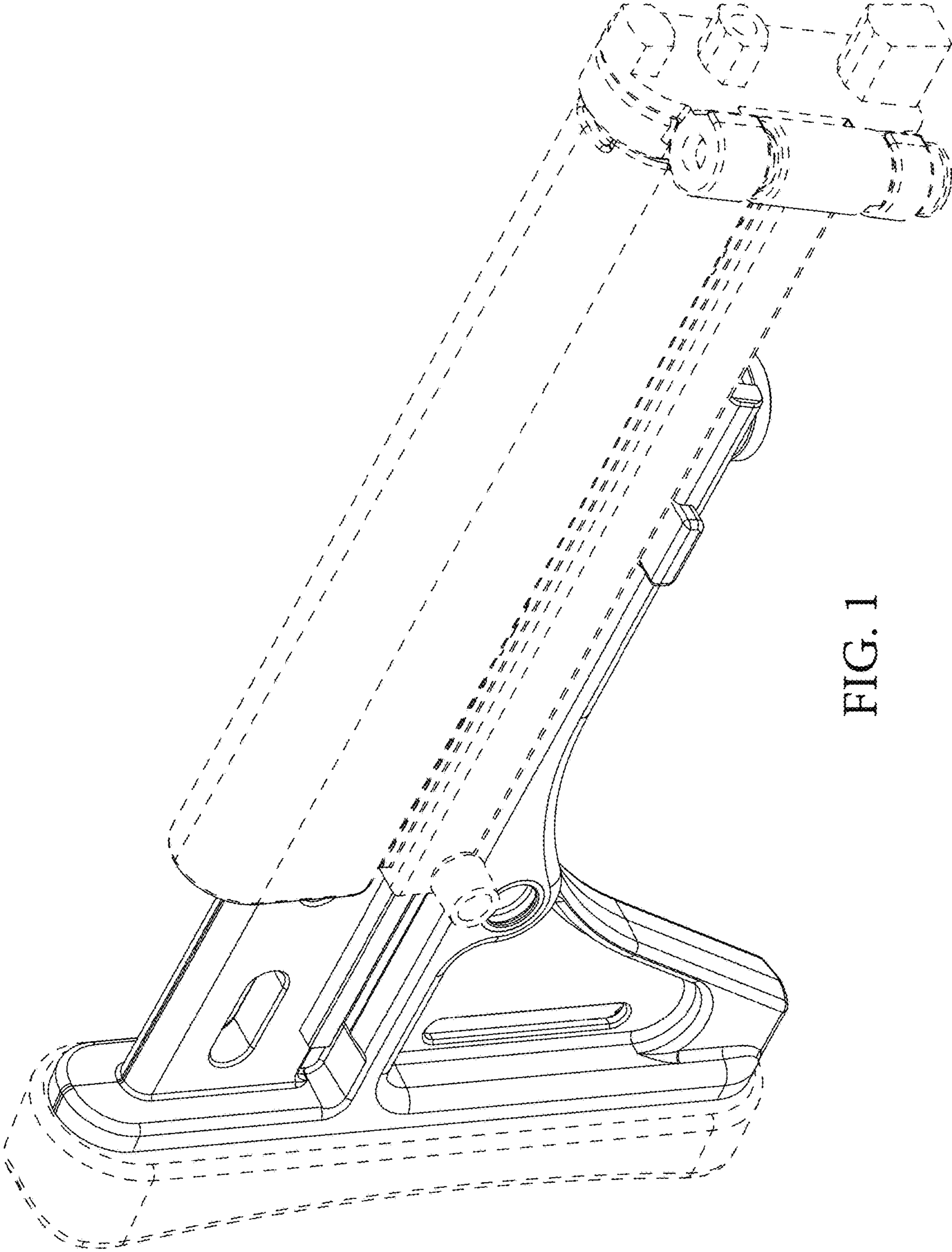


FIG. 1

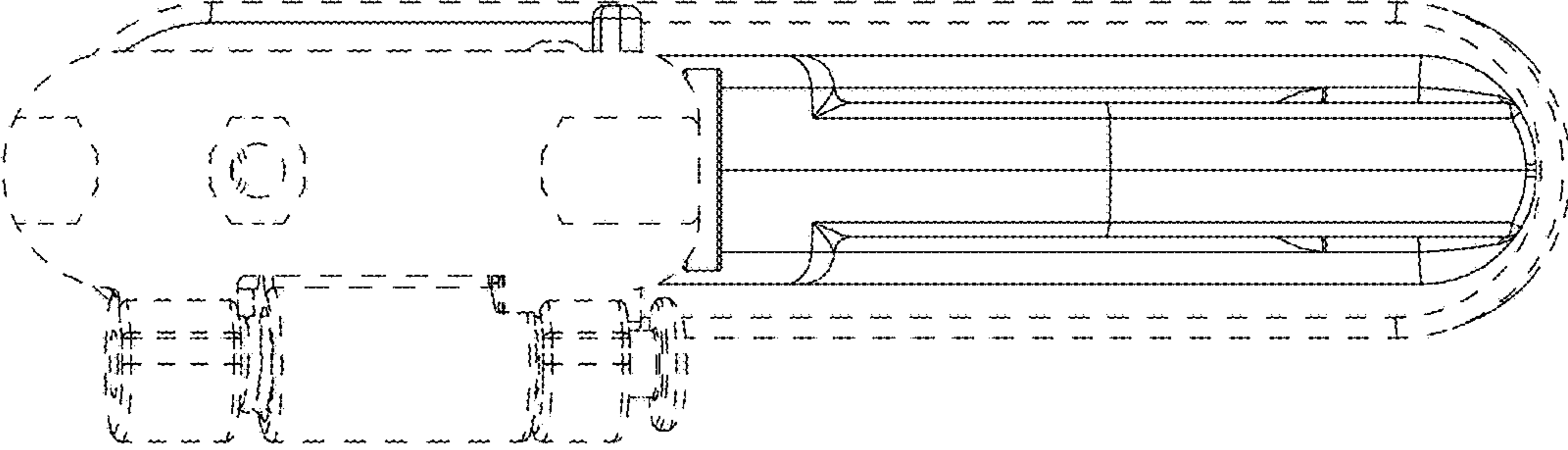


FIG. 2

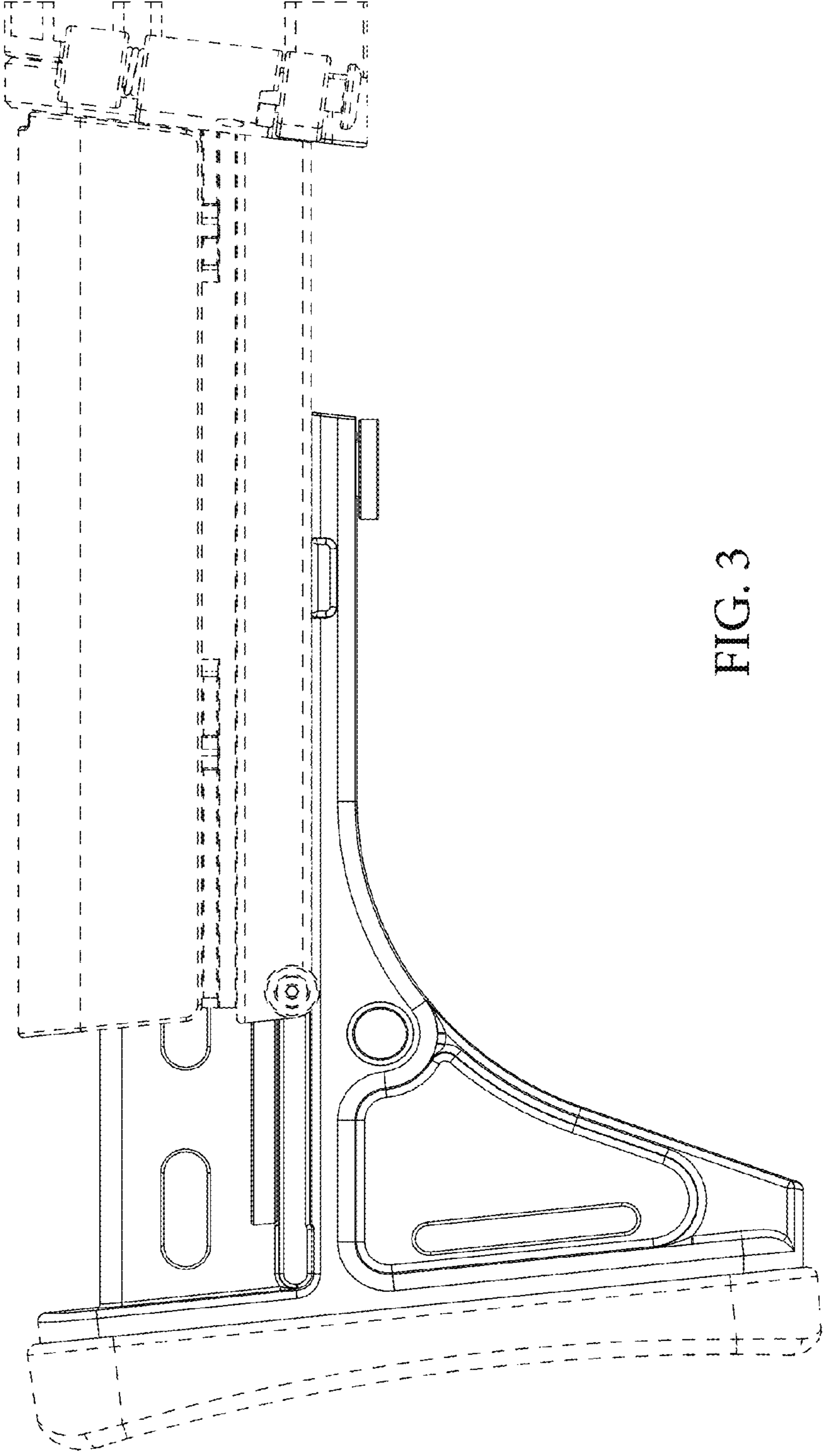


FIG. 3

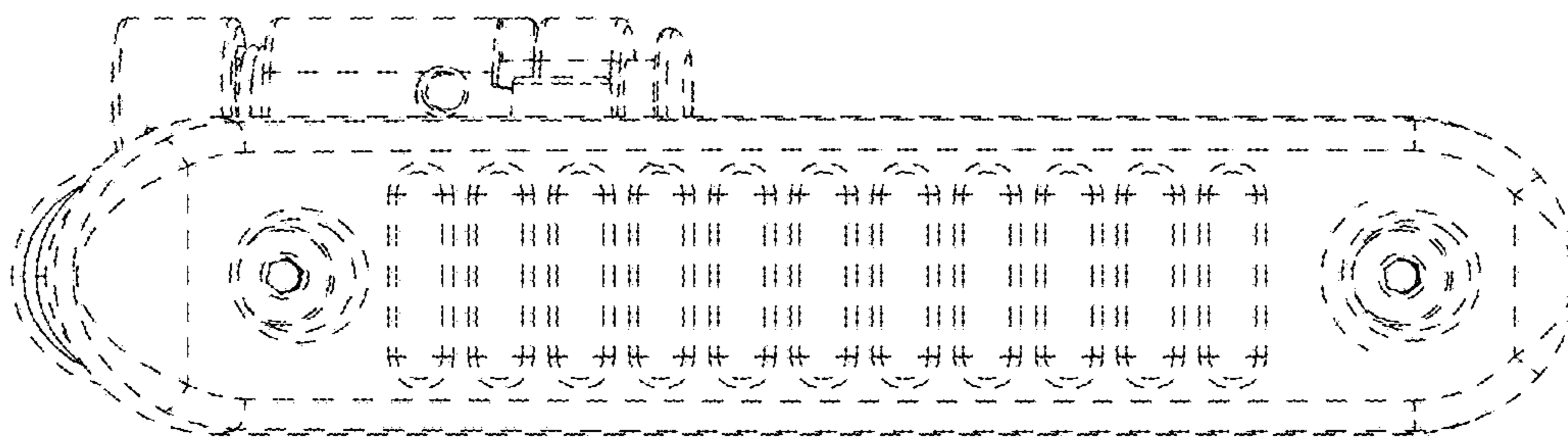


FIG. 4

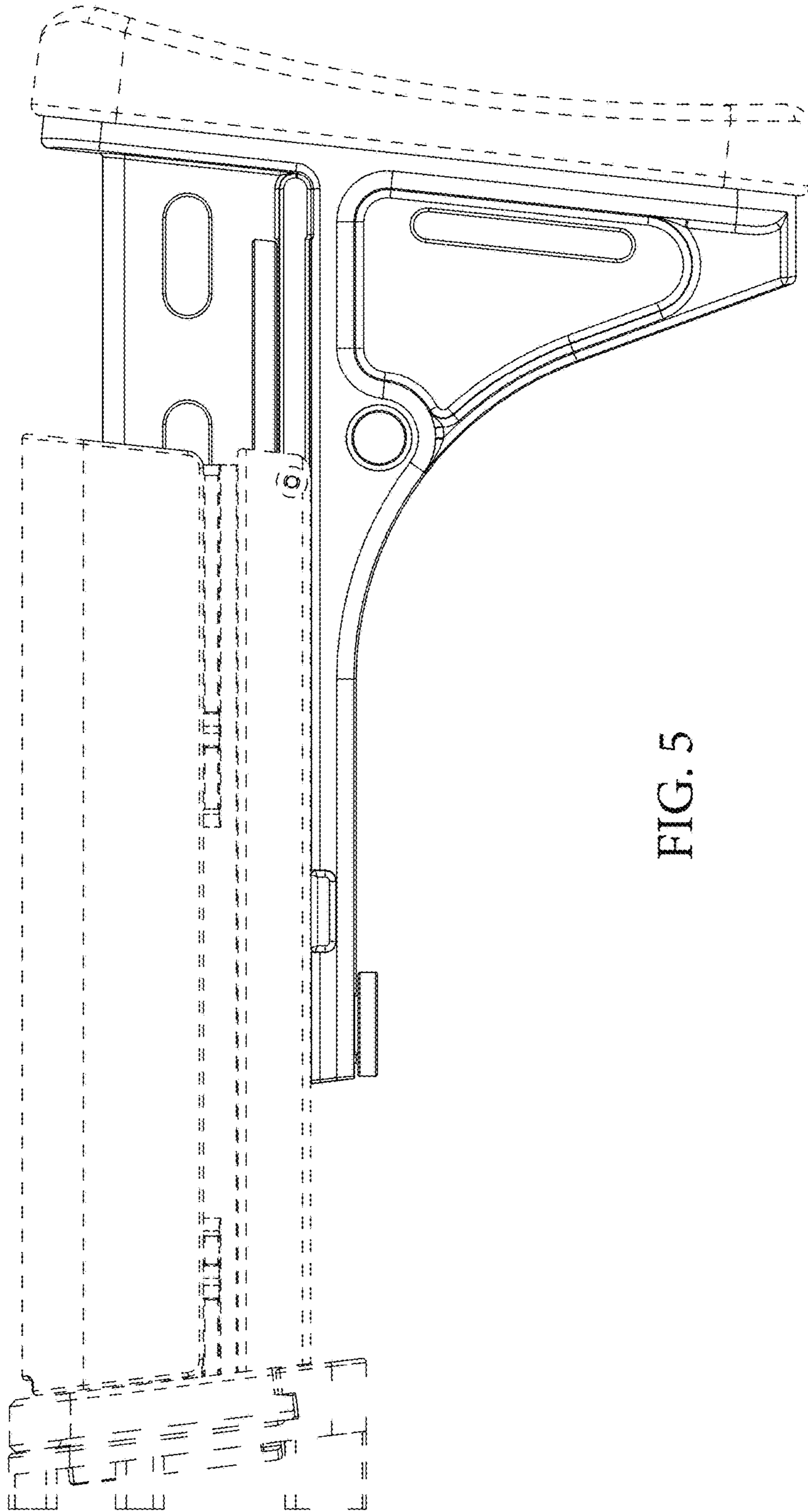


FIG. 5

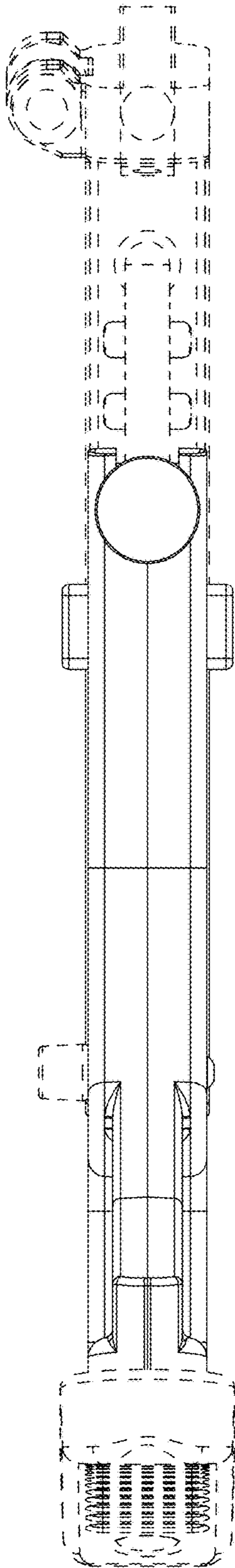


FIG. 6

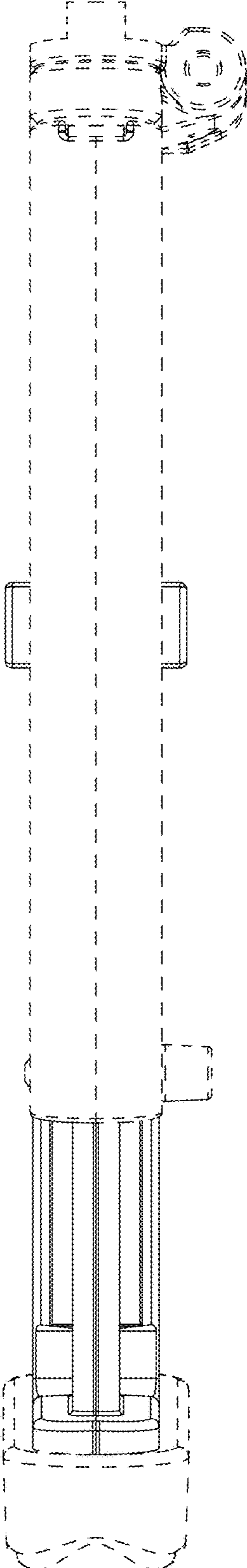


FIG. 7