



US00D832383S

(12) **United States Design Patent** (10) **Patent No.:** **US D832,383 S**  
**Foster** (45) **Date of Patent:** **\*\* Oct. 30, 2018**

(54) **GOLF CLUB HEAD**

(71) Applicant: **Callaway Golf Company**, Carlsbad, CA (US)

(72) Inventor: **Philip G. Foster**, Vista, CA (US)

(73) Assignee: **Callaway Golf Company**, Carlsbad, CA (US)

(\*\*) Term: **15 Years**

(21) Appl. No.: **29/619,938**

(22) Filed: **Oct. 3, 2017**

(51) **LOC (11) Cl.** ..... **21-02**

(52) **U.S. Cl.**  
USPC ..... **D21/759**

(58) **Field of Classification Search**  
USPC ..... D21/733, 752, 759  
See application file for complete search history.

(56) **References Cited**

U.S. PATENT DOCUMENTS

D489,425 S *	5/2004	Rice	.....	D21/759
D591,818 S *	5/2009	Roberts	.....	D21/759
D631,111 S *	1/2011	Bennett	.....	D21/752
D665,863 S *	8/2012	Gonzalez	.....	D21/759
8,257,196 B1 *	9/2012	Abbott	.....	A63B 53/0466 473/335
D673,631 S *	1/2013	Engel	.....	D21/759
D763,376 S *	8/2016	Takechi	.....	D21/759
D763,994 S *	8/2016	Foster	.....	D21/759
D763,997 S *	8/2016	Tang	.....	D21/759
D788,239 S *	5/2017	Kim	.....	D21/759
D801,461 S *	10/2017	Milleman	.....	D21/752
D801,463 S *	10/2017	Kim	.....	D21/759
D801,464 S *	10/2017	Kim	.....	D21/759
D801,465 S *	10/2017	Tang	.....	D21/759
D806,192 S *	12/2017	Tang	.....	D21/759
D811,503 S *	2/2018	Bacon	.....	D21/752

D812,168 S *	3/2018	Kim	.....	D21/759
D812,702 S *	3/2018	Tang	.....	D21/752
D812,703 S *	3/2018	Tang	.....	D21/752
D813,327 S *	3/2018	Kim	.....	D21/752
D813,328 S *	3/2018	Tang	.....	D21/752
D813,329 S *	3/2018	Tang	.....	D21/752
D813,330 S *	3/2018	Tang	.....	D21/759
D813,331 S *	3/2018	Tang	.....	D21/759
D814,582 S *	4/2018	Bacon	.....	D21/752
D814,583 S *	4/2018	Stokke	.....	D21/752
D814,584 S *	4/2018	Tang	.....	D21/759
D815,223 S *	4/2018	Stokke	.....	D21/752
D823,958 S *	7/2018	Stokke	.....	D21/752
D825,013 S *	8/2018	Milleman	.....	D21/752
2006/0172821 A1 *	8/2006	Evans	.....	A63B 53/0466 473/349

\* cited by examiner

*Primary Examiner* — Mitchell I. Siegel  
(74) *Attorney, Agent, or Firm* — Rebecca Hanovice;  
Michael Catania; Sonia Lari

(57) **CLAIM**

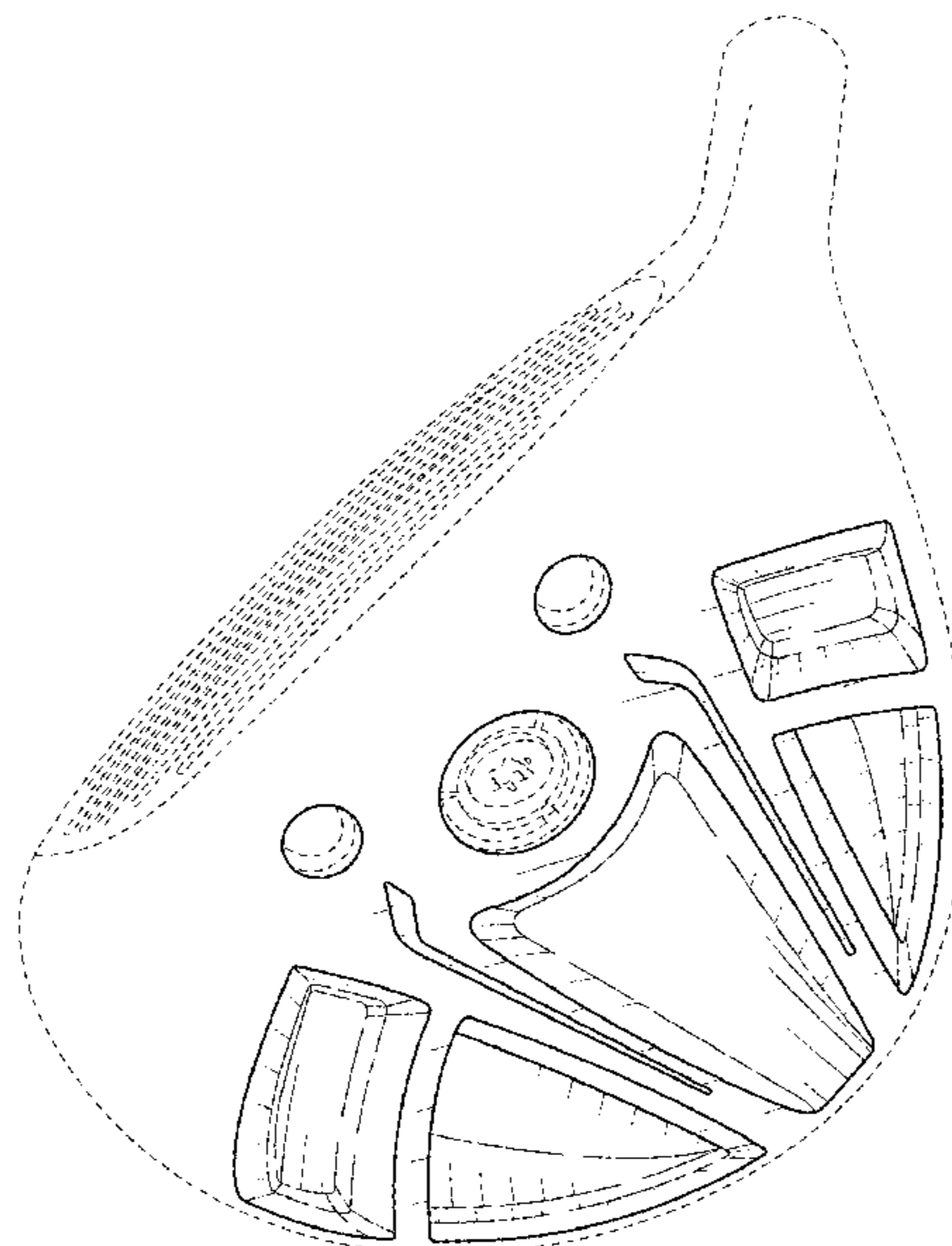
The ornamental design for a golf club head, as shown and described.

**DESCRIPTION**

FIG. 1 is a bottom perspective view of the golf club head claimed herein;  
FIG. 2 is a front elevational view thereof;  
FIG. 3 is a rear elevational view thereof;  
FIG. 4 is a left side elevational view thereof;  
FIG. 5 is a right side elevational view thereof;  
FIG. 6 is a top plan view thereof; and,  
FIG. 7 is a bottom plan view thereof.

The broken line showing of the unclaimed golf club head is included for the purpose of illustrating unclaimed subject matter and forms no part of the claimed design.

**1 Claim, 4 Drawing Sheets**



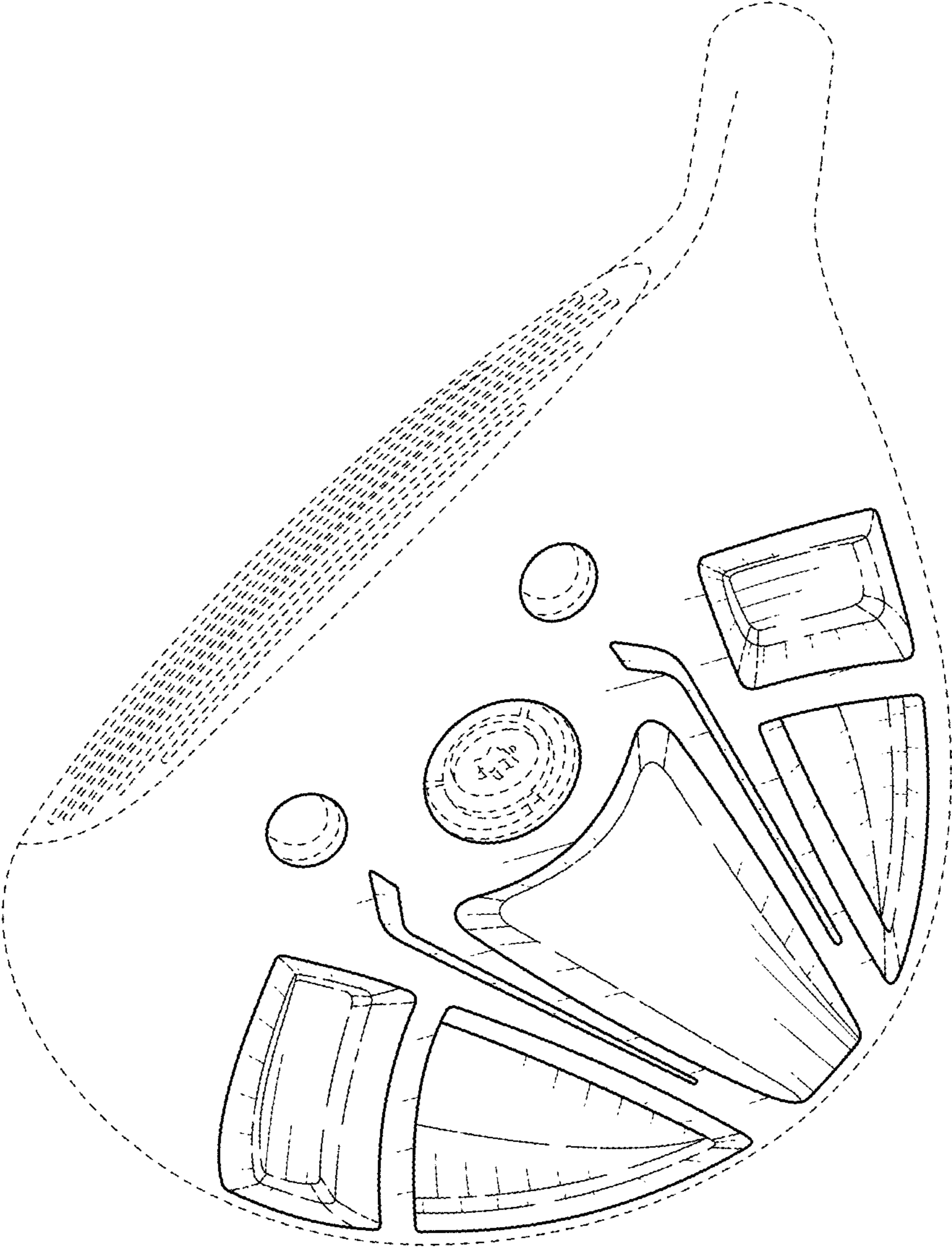


FIG. 1

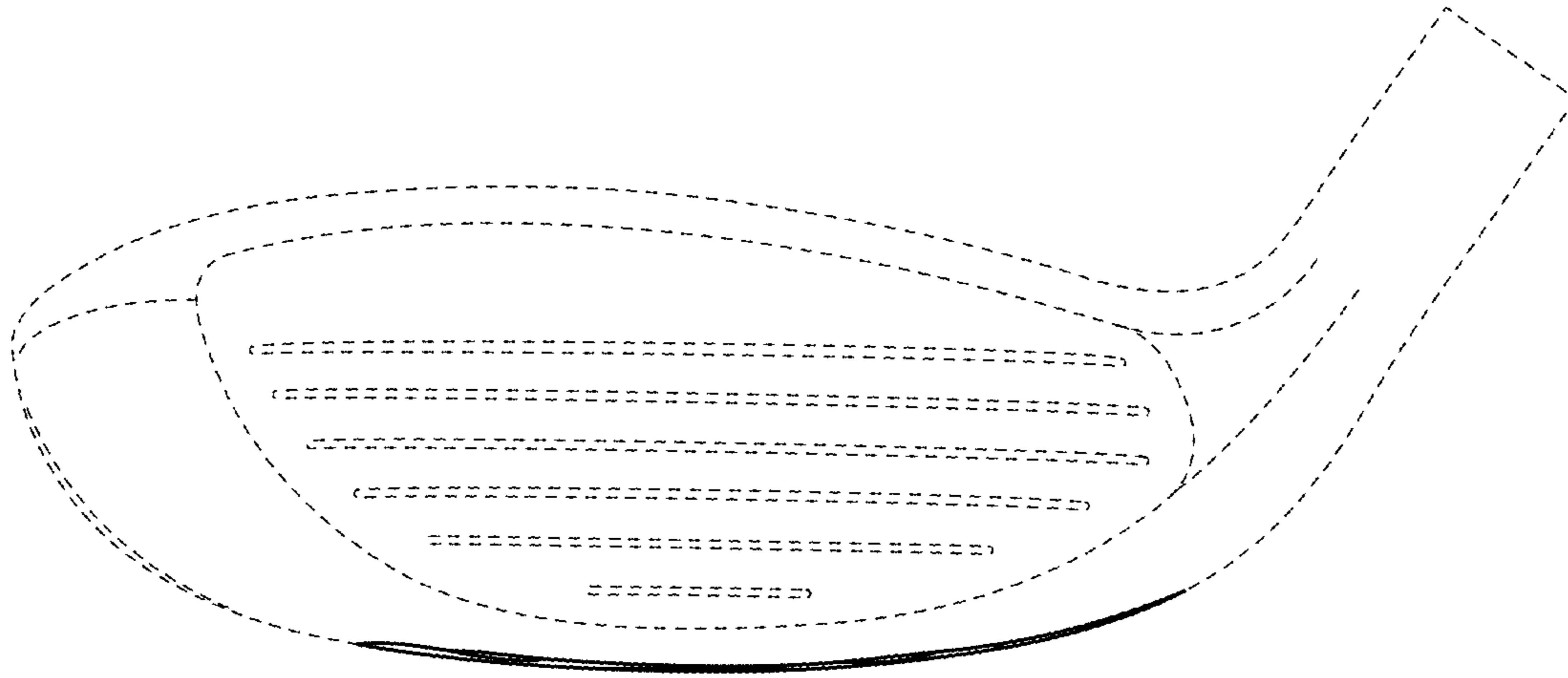


FIG. 2

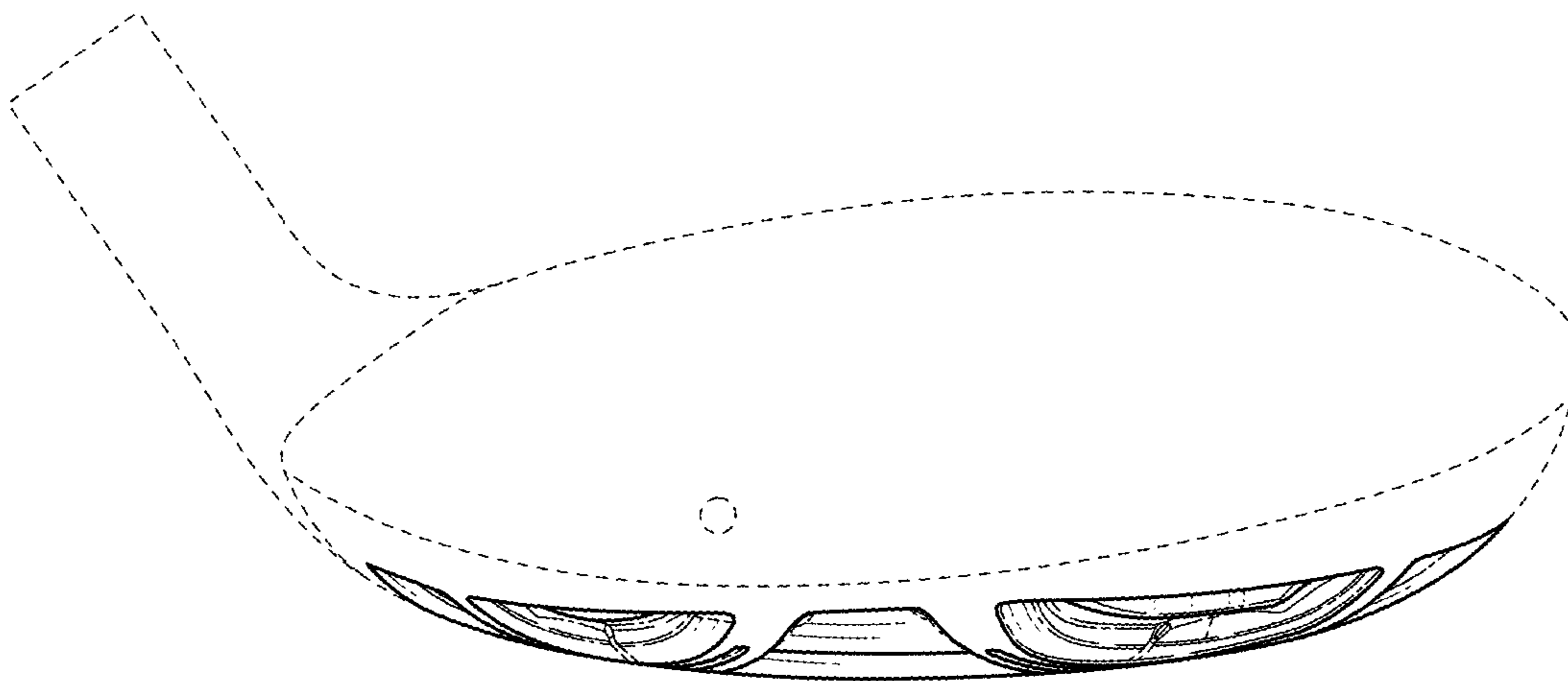


FIG. 3

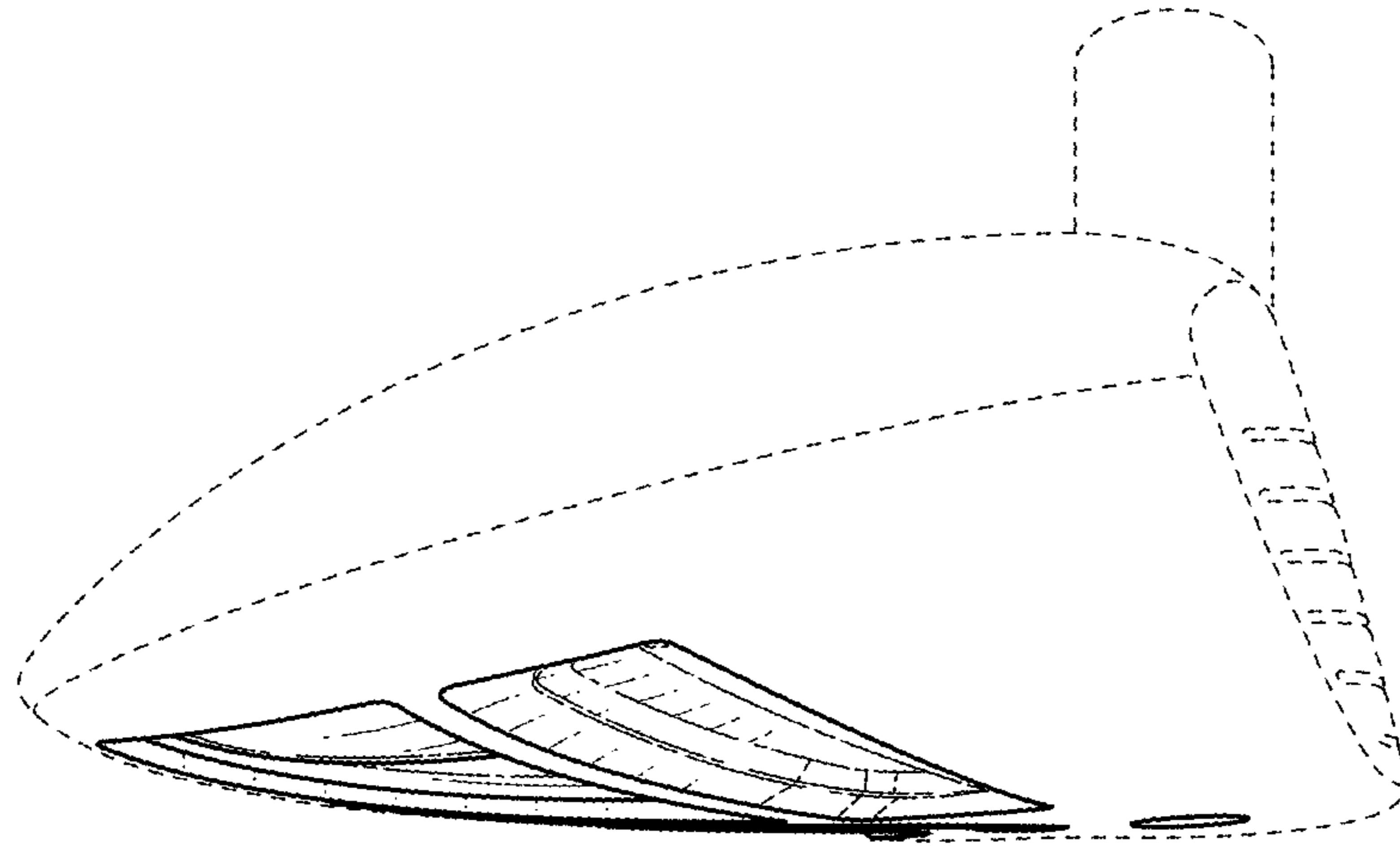


FIG. 4

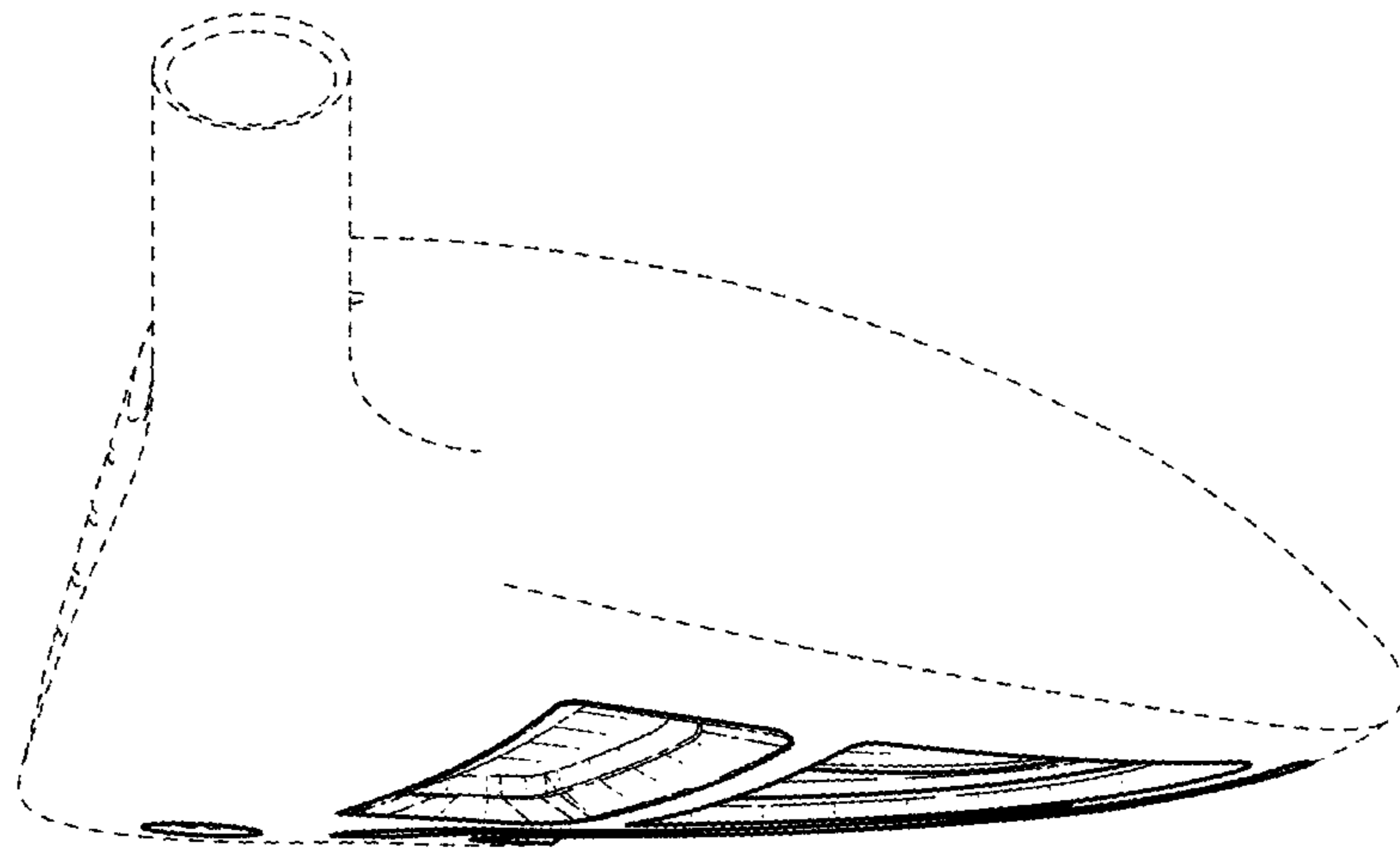


FIG. 5

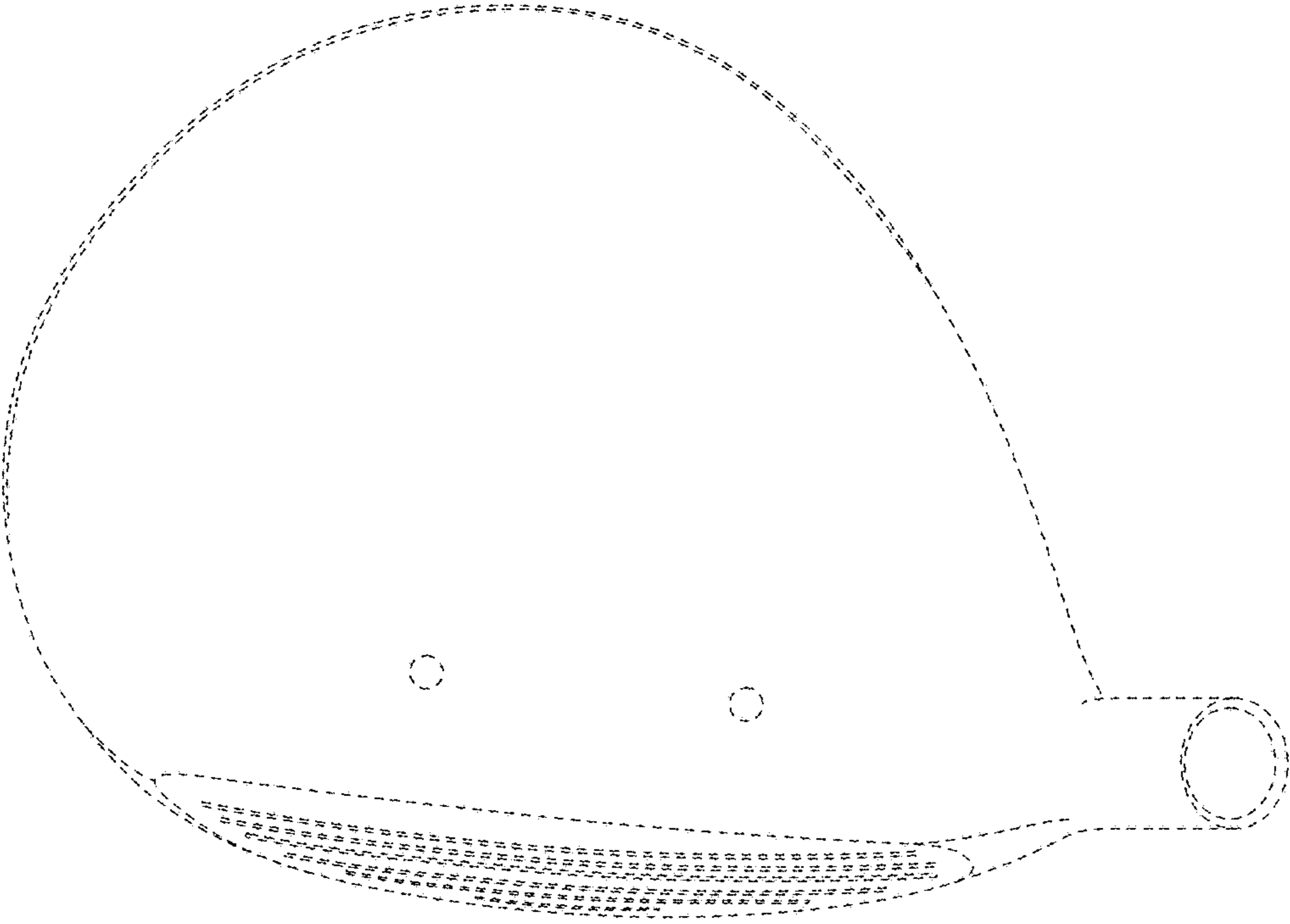


FIG. 6

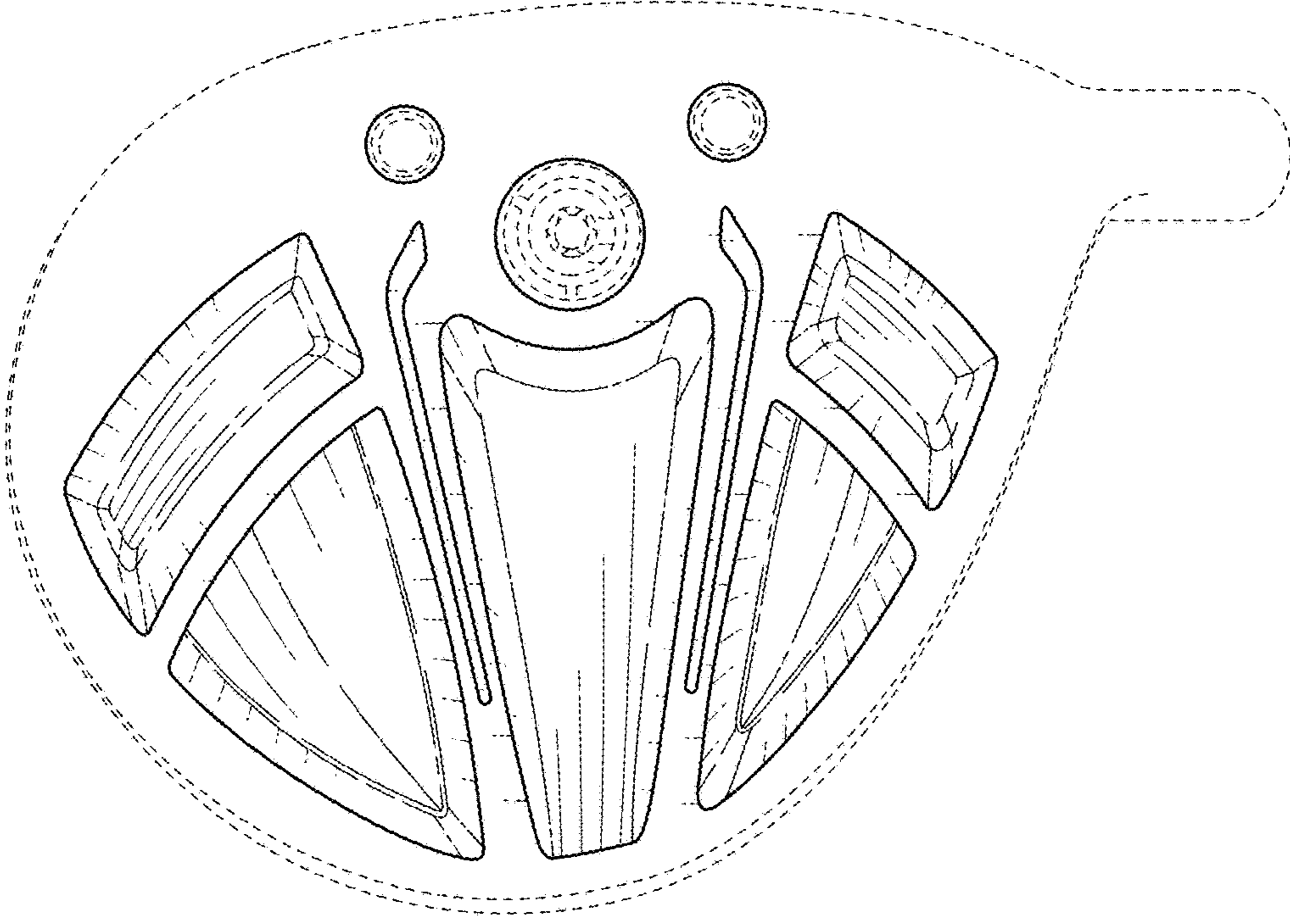


FIG. 7