



US00D832382S

(12) **United States Design Patent**
Van Nguyen et al.

(10) **Patent No.:** **US D832,382 S**
(45) **Date of Patent:** **** Oct. 30, 2018**

- (54) **BASEBALL OR SOFTBALL BAT HANDLE SMART KNOB HAVING SENSORS FOR ANALYZING SWING CHARACTERISTICS**
- (71) Applicant: **Xiamen Pheasant Hi-Tech Aluminum Co., Ltd.**, Xiamen, Fujian (CN)
- (72) Inventors: **Thu Van Nguyen**, West Hills, CA (US); **Renqin Zhang**, Houxi (CN); **Chi-Hung Lee**, Houzi (CN)
- (73) Assignee: **Xiamen Pheasant Hi-Tech Aluminum Co., Ltd.**, Fujian (CN)

D523,105 S *	6/2006	Bernacchi	D21/725
D629,478 S *	12/2010	Appleton	D21/753
D655,771 S *	3/2012	Thompson	D21/753
D659,787 S *	5/2012	Balareta	D21/789
D667,065 S *	9/2012	Cavanagh	D21/725
D668,728 S *	10/2012	Savarese	D21/759
D670,778 S *	11/2012	Savarese	D21/759
D685,870 S *	7/2013	Ho	D21/759
D694,842 S *	12/2013	Bentley	D21/753
D702,302 S *	4/2014	Rockhill A63B 69/3638	D21/725
D715,879 S *	10/2014	Goodwin	D21/753
D735,286 S *	7/2015	Luden	D21/725
D761,925 S *	7/2016	Phelan, Jr.	D21/753
D785,109 S *	4/2017	Clark	D21/725
D817,420 S *	5/2018	Keeley	D21/756

(**) Term: **15 Years**

* cited by examiner

(21) Appl. No.: **29/618,174**

Primary Examiner — Mitchell I. Siegel

(22) Filed: **Sep. 19, 2017**

(74) *Attorney, Agent, or Firm* — Kelly & Kelley, LLP

(51) **LOC (11) Cl.** **21-02**

(52) **U.S. Cl.**
USPC **D21/753**; D21/725

(58) **Field of Classification Search**
USPC D21/725, 753, 756–757, 789
CPC A63B 59/00; A63B 59/50–59/58; A63B 59/80; A63B 60/00; A63B 60/46; A63B 2102/00; A63B 2102/10; A63B 2102/12; A63B 2102/26; A63B 2102/28; A63B 2102/30; A63B 2102/38
See application file for complete search history.

(57) **CLAIM**

The ornamental design for a baseball or softball bat handle smart knob having sensors for analyzing swing characteristics, as shown.

DESCRIPTION

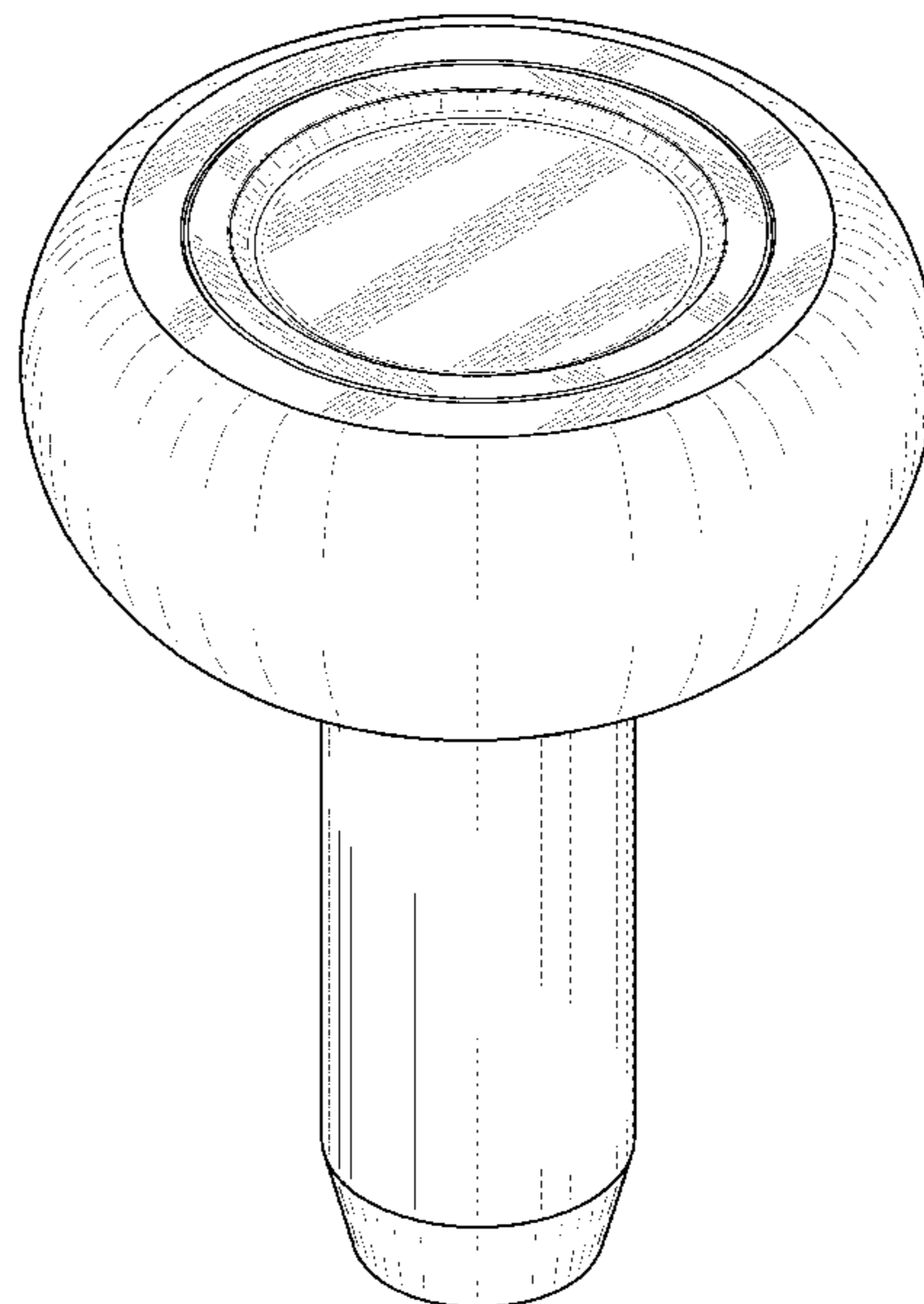
FIG. 1 is a top and front side perspective view of a baseball or softball bat handle smart knob having sensors for analyzing swing characteristics embodying our new design; FIG. 2 is a bottom and rear side perspective view thereof; FIG. 3 is a front elevational view, the rear elevational view being a mirror image; FIG. 4 is a left side elevational view thereof, the right side elevational view being a mirror image; FIG. 5 is a top plan view thereof; and, FIG. 6 is a bottom plan view thereof.

(56) **References Cited**

U.S. PATENT DOCUMENTS

D178,866 S *	10/1956	Cole, Sr.	D21/725
D318,704 S *	7/1991	Cevert	D21/753
D319,278 S *	8/1991	Tosti	D21/756
D382,931 S *	8/1997	Marcione	D21/754
6,443,860 B1 *	9/2002	Byrne A63B 49/12	473/568

1 Claim, 6 Drawing Sheets



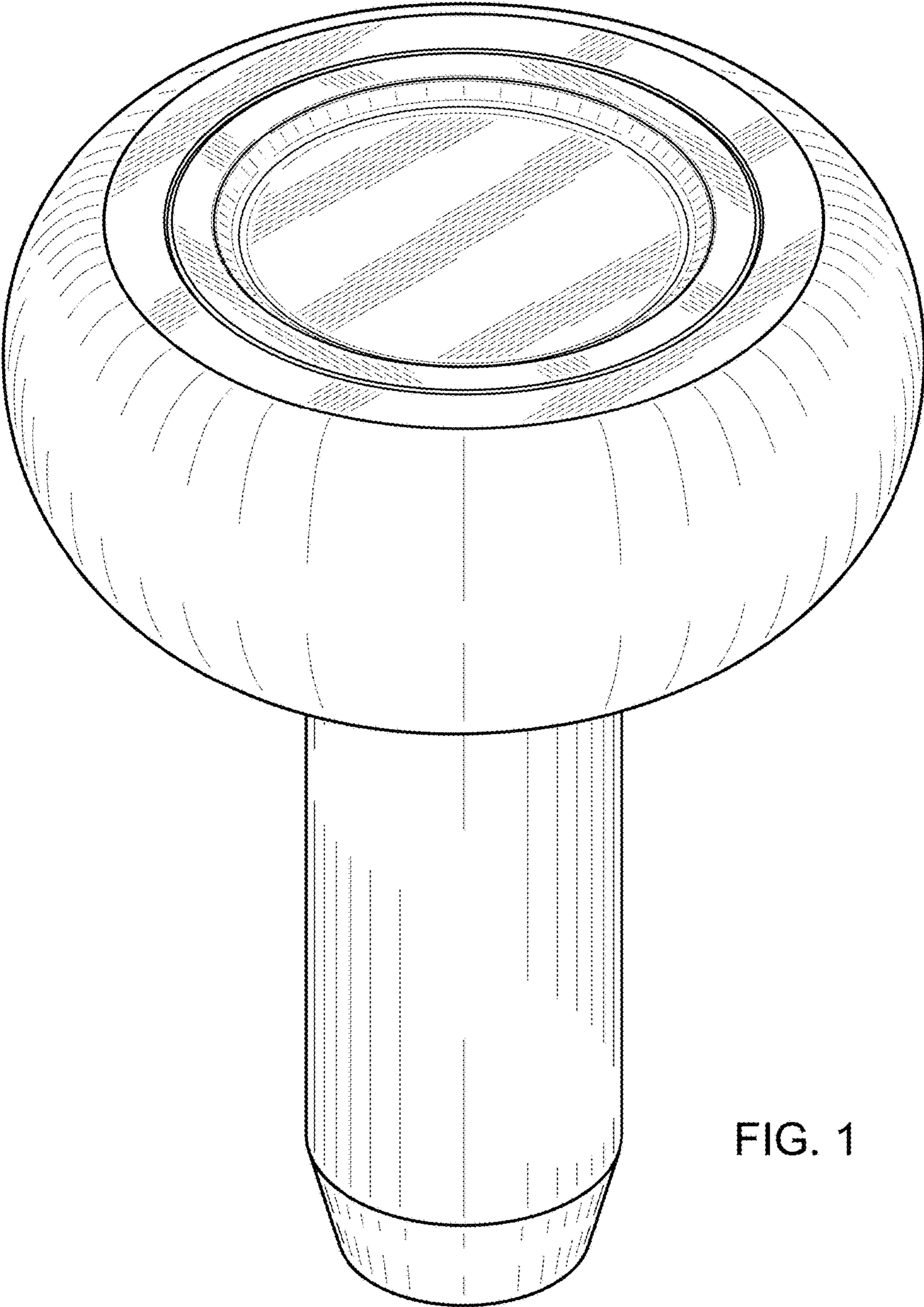


FIG. 1

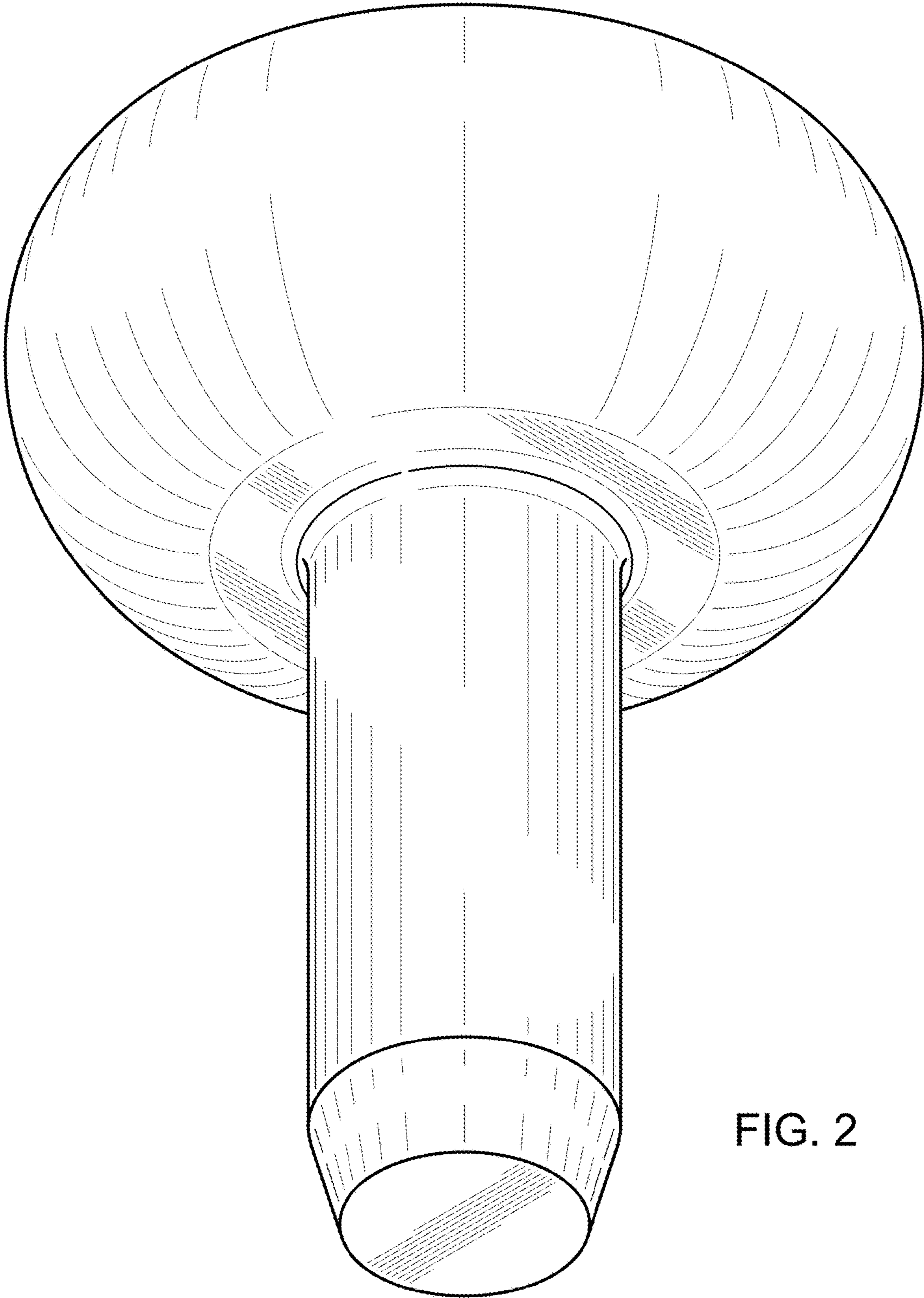


FIG. 2

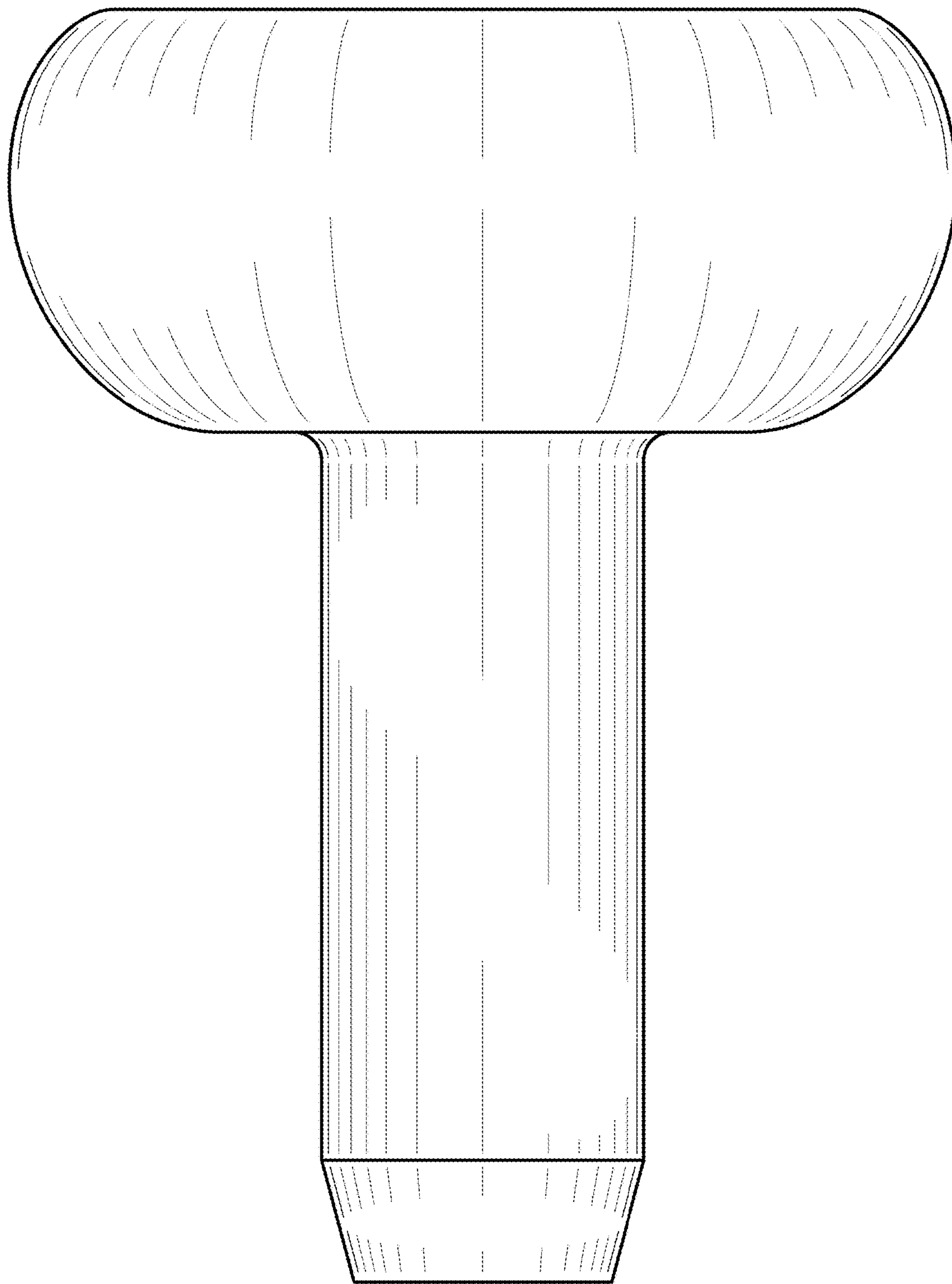


FIG. 3

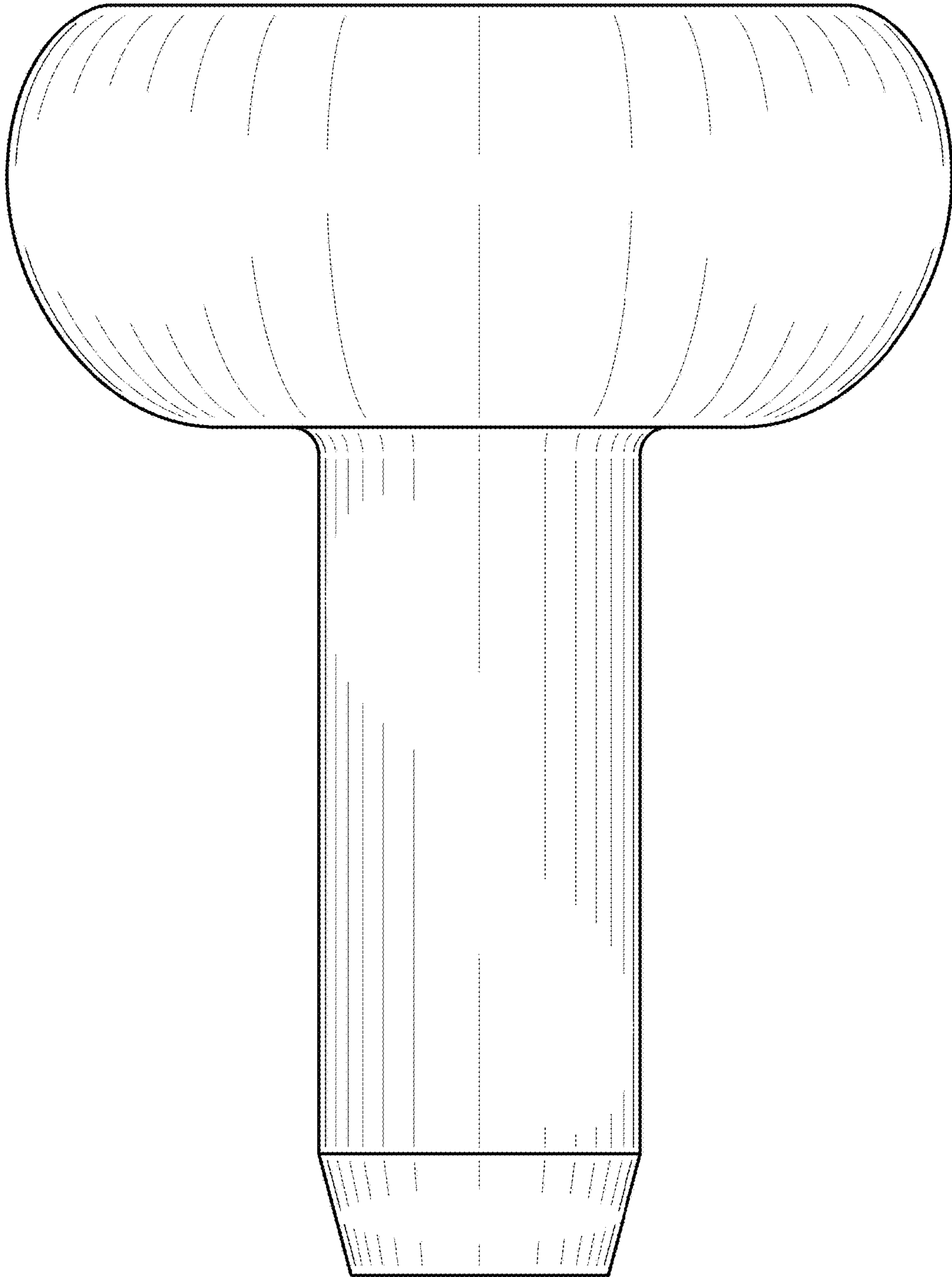


FIG. 4

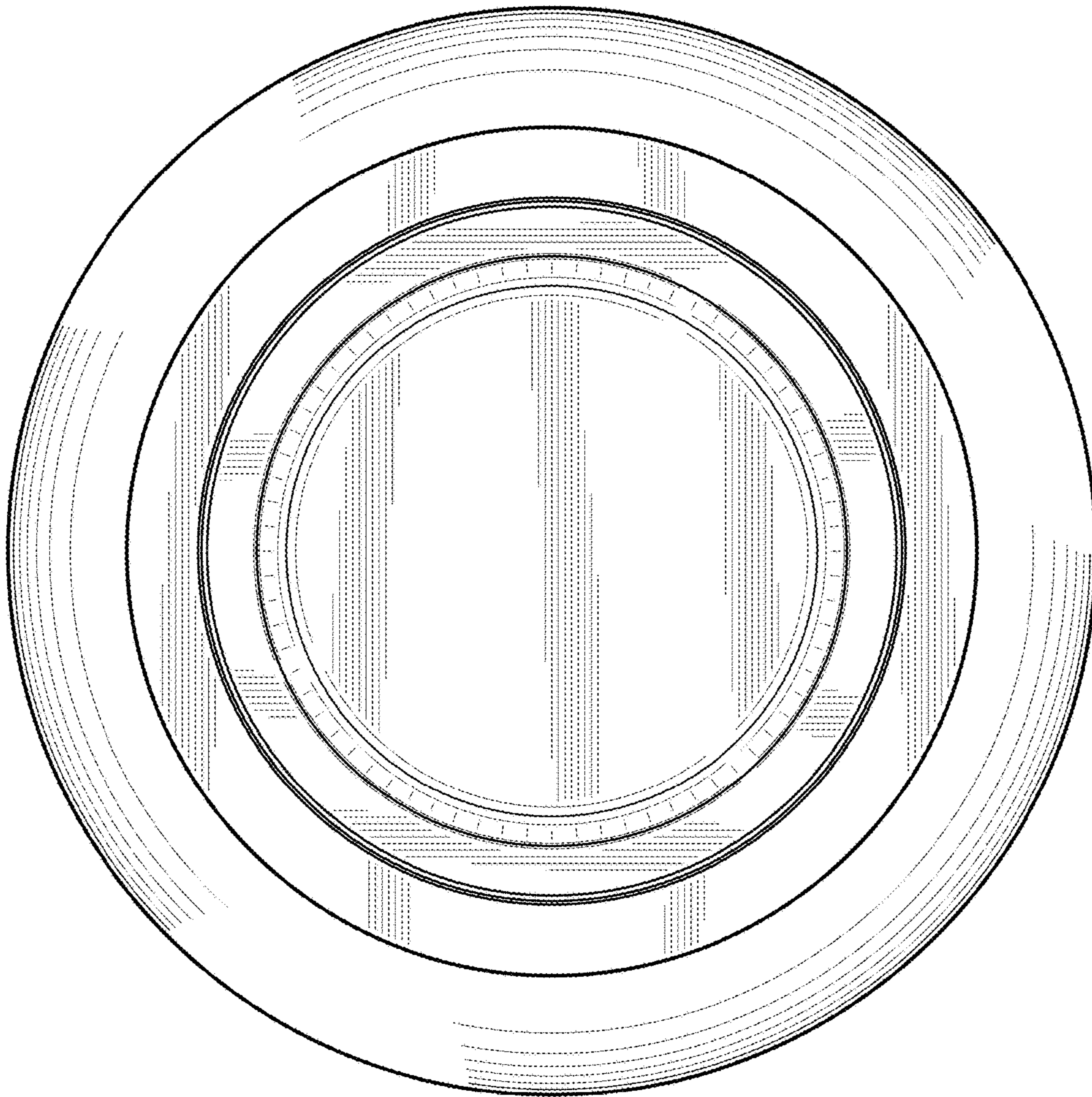


FIG. 5

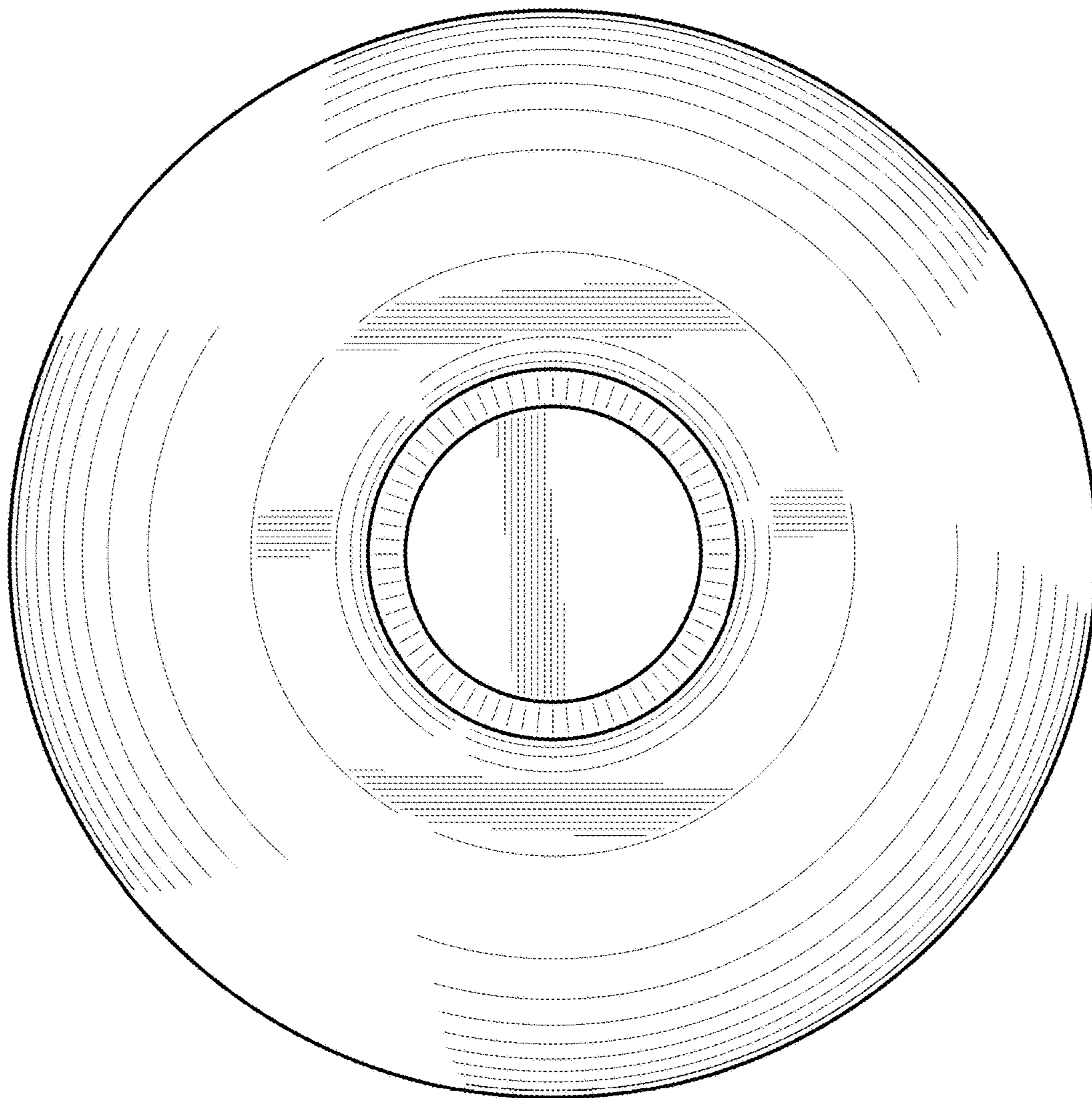


FIG. 6