



US00D832381S

(12) **United States Design Patent**
Serrano et al.

(10) **Patent No.:** **US D832,381 S**

(45) **Date of Patent:** **** Oct. 30, 2018**

(54) **GOLF CLUB HEAD**

FOREIGN PATENT DOCUMENTS

(71) Applicant: **KARSTEN MANUFACTURING CORPORATION**, Phoenix, AZ (US)

CN 2920325 Y 7/2007
CN 103252065 A 8/2013

(Continued)

(72) Inventors: **Anthony D. Serrano**, Anthem, AZ (US); **Xiaojian Chen**, Phoenix, AZ (US); **Calvin S. Wang**, Chandler, AZ (US); **David A. Higdon**, Phoenix, AZ (US)

OTHER PUBLICATIONS

<https://www.2ndswing.com/nike/golf-putters/everclear-e33/#used> , Nike Everclear E33 Putter , Jun. 13, 2017.

(Continued)

(73) Assignee: **Karsten Manufacturing Corporation**, Phoenix, AZ (US)

Primary Examiner — Mitchell I. Siegel

(**) Term: **15 Years**

(57) **CLAIM**

The ornamental design for a golf club head, as shown and described.

(21) Appl. No.: **29/610,791**

DESCRIPTION

(22) Filed: **Jul. 14, 2017**

(51) **LOC (11) Cl.** **21-02**

(52) **U.S. Cl.**

USPC **D21/743**

(58) **Field of Classification Search**

USPC D21/736-746, 759

CPC A63B 53/00; A63B 53/04; A63B 53/007;

A63B 53/065; A63B 53/0487; A63B

60/00; A63B 60/46

See application file for complete search history.

FIG. 1 is a front perspective view of a golf club head; FIG. 2 is a rear perspective view of the golf club head of FIG. 1; FIG. 3 is a front view of the golf club head of FIG. 1; FIG. 4 is a rear view of the golf club head of FIG. 1; FIG. 5 is a top view of the golf club head of FIG. 1; FIG. 6 is a bottom view of the golf club head of FIG. 1; FIG. 7 is a toe view of the golf club head of FIG. 1; FIG. 8 is a heel view of the golf club head of FIG. 1; FIG. 9 is a front perspective view of a second embodiment of the golf club head; FIG. 10 is a rear perspective view of the golf club head of FIG. 9; FIG. 11 is a front view of the golf club head of FIG. 9; FIG. 12 is a rear view of the golf club head of FIG. 9; FIG. 13 is a top view of the golf club head of FIG. 9; FIG. 14 is a bottom view of the golf club head of FIG. 9; FIG. 15 is a toe view of the golf club head of FIG. 9; and, FIG. 16 is a heel view of the golf club head of FIG. 9. The broken line showing is included for the purpose of illustrating unclaimed subject matter and forms no part of the claimed design.

(56) **References Cited**

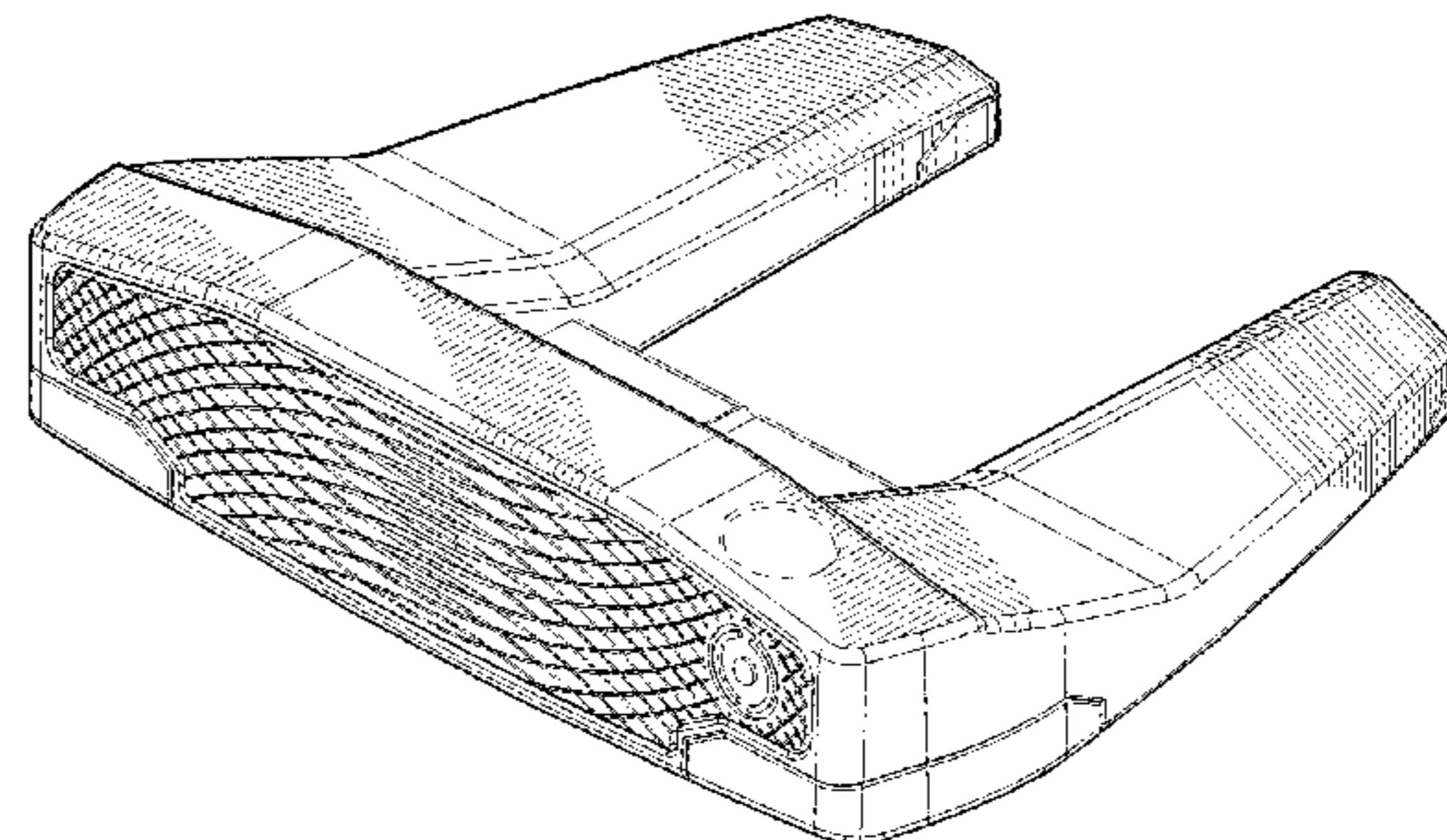
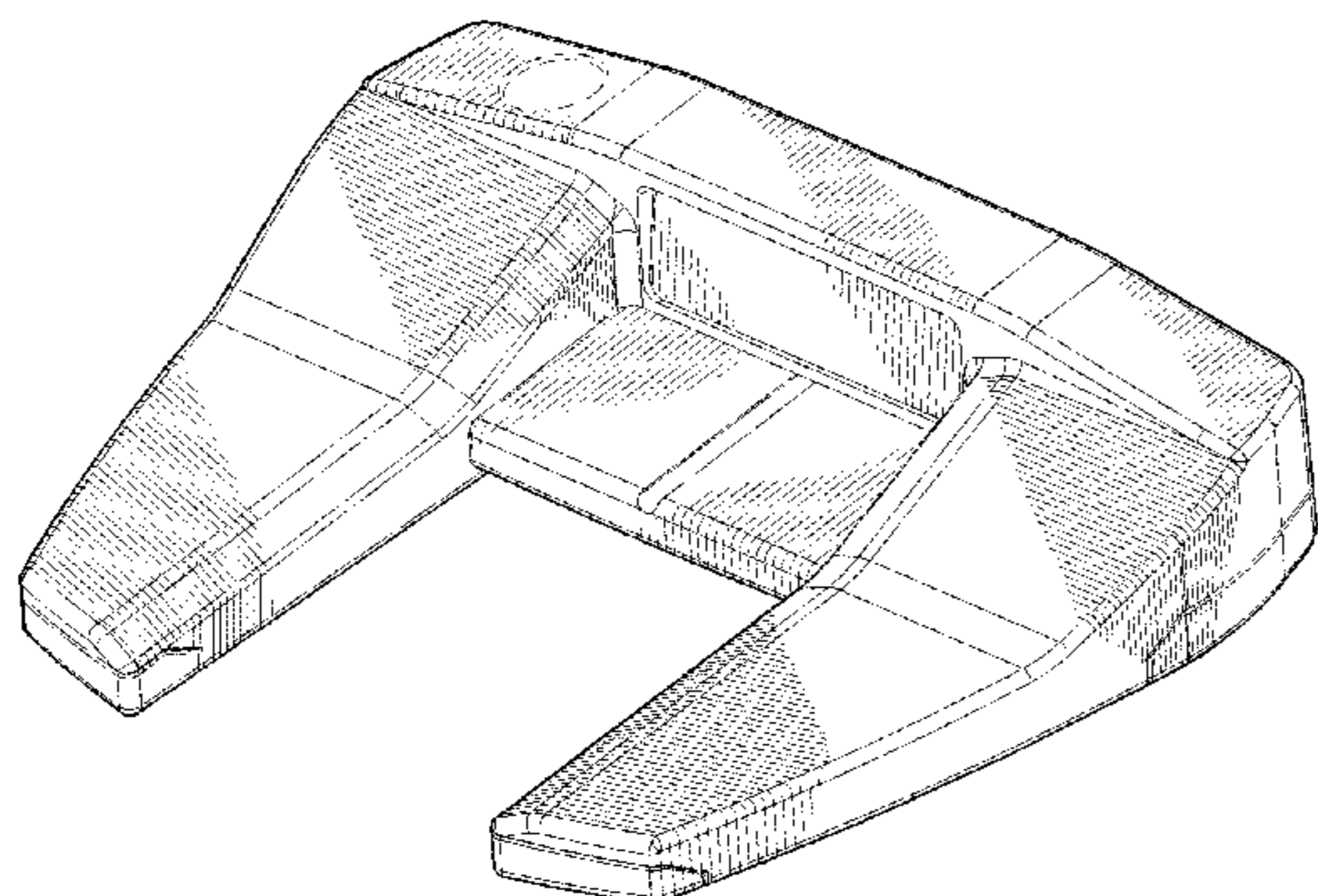
U.S. PATENT DOCUMENTS

3,652,094 A 3/1972 Glover
4,741,535 A * 5/1988 Leonhardt A63B 53/0487
473/252

4,869,507 A 9/1989 Sahn
D323,867 S * 2/1992 Rizzotto D21/740
D350,177 S * 8/1994 Ramirez D21/745

(Continued)

1 Claim, 8 Drawing Sheets



(56)

References Cited

U.S. PATENT DOCUMENTS

5,580,058 A * 12/1996 Coughlin A63B 69/3685
273/250

5,746,664 A 5/1998 Reynolds, Jr.

5,997,409 A 12/1999 Mattson

D421,471 S 3/2000 Moldovan

6,048,275 A 4/2000 Gedeon

D436,638 S 1/2001 Carrier

6,634,956 B1 * 10/2003 Pegg A63B 53/007
473/251

D517,143 S * 3/2006 Petsel D21/742

D532,844 S 11/2006 Rollinson

D532,845 S * 11/2006 Rollinson D21/736

D564,607 S * 3/2008 Oldknow D21/736

D568,954 S * 5/2008 Oldknow D21/759

D573,673 S * 7/2008 Noyes D21/721

D574,908 S * 8/2008 Hettinger D21/743

D582,497 S * 12/2008 Rollinson D21/744

D589,575 S * 3/2009 Kim D21/744

D590,461 S * 4/2009 Kim D21/743

D591,807 S * 5/2009 Rollinson D21/744

D594,917 S * 6/2009 Stellander D21/743

D595,373 S * 6/2009 Kim D21/744

D604,787 S * 11/2009 Hopkins D21/736

D621,458 S * 8/2010 Serrano D21/736

D670,774 S * 11/2012 Seiff D21/736

D688,341 S * 8/2013 Rollinson D21/746

D691,226 S * 10/2013 Hilton D21/746

D701,274 S * 3/2014 Rollinson D21/736

D720,821 S * 1/2015 Brandt D21/736

D728,715 S * 5/2015 Cameron D21/736

D730,464 S * 5/2015 Cameron D21/743

D731,605 S * 6/2015 Rollinson D21/736

D768,248 S * 10/2016 Rollinson D21/744

D771,208 S * 11/2016 Bettinardi D21/744

D773,573 S * 12/2016 Abbott D21/744

D776,771 S * 1/2017 Peterson D21/744

D777,270 S * 1/2017 Rollinson D21/744

D799,617 S * 10/2017 Becktor D21/742

D801,459 S * 10/2017 Rollinson D21/746

D807,453 S * 1/2018 Serrano D21/743

D812,164 S * 3/2018 Parsons D21/742

D813,963 S * 3/2018 Lapuz D21/742

D815,222 S * 4/2018 Serrano D21/743

D815,703 S * 4/2018 Schweigert D21/736

2003/0083149 A1 5/2003 Scarpa et al.

2006/0089206 A1 4/2006 Lo

2007/0010348 A1 1/2007 Jung

2008/0045353 A1 2/2008 Lo et al.

2010/0048321 A1 2/2010 Beach et al.

2010/0222155 A1 9/2010 Jones et al.

2014/0179459 A1 6/2014 Schartiger et al.

2015/0360099 A1 12/2015 Ban et al.

FOREIGN PATENT DOCUMENTS

GB 2133295 A 7/1984

JP 2001137400 A 5/2001

OTHER PUBLICATIONS

<https://www.scottycameron.com/archives/putters/2016/futura-x/futura-x5/> , Futura X5 , Jun. 13, 2017.

<http://www.clevelandgolf.com/en/clubs-/tfi-2135-elevado-putter/MTFI2135ELEV.html> , TFI 2135 Elevado Putter , Jun. 13, 2017.

<http://www.clevelandgolf.com/en/putters--2/tfi-2135-elevado-cb-putter/MTFI2135ELEVVCB.html> , TFI 2135 Elevado CB Putter , Jun. 13, 2017.

<http://rifegolf.com/store#!/~/product/category=8856002&id=34731881> , Rife General Left-hand Putter , Jun. 13, 2017.

Odyssey Works Tank Cruiser #1w, <http://www.pgatoursuperstore.com/odyssey-works-tank-cruiser-1w/1000000005200.jsp> , Date Accessed: Dec. 14, 2016.

Cx1, <http://cureputters.com/products/cx1> , Date Accessed: Dec. 13, 2016.

* cited by examiner

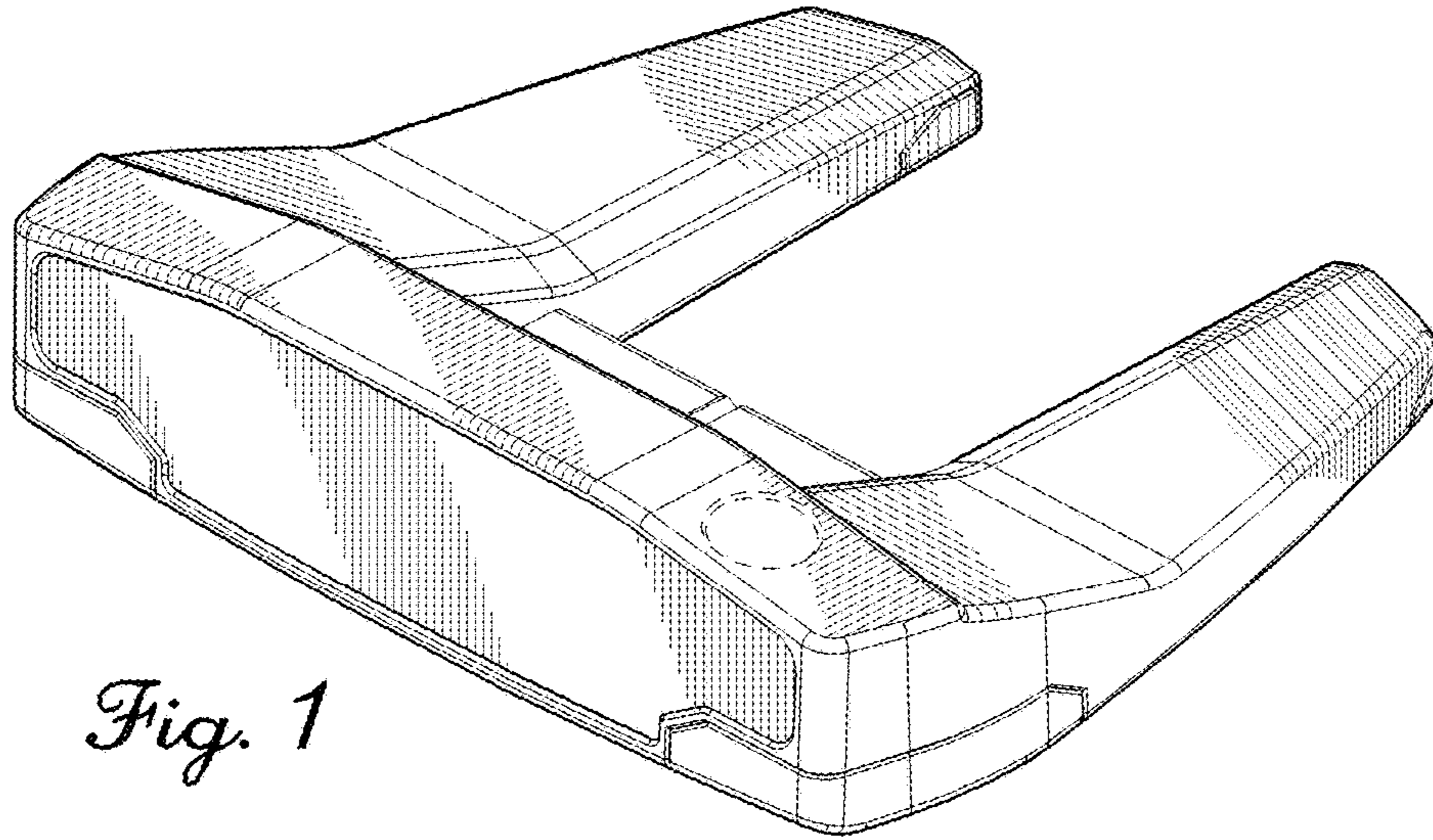


Fig. 1

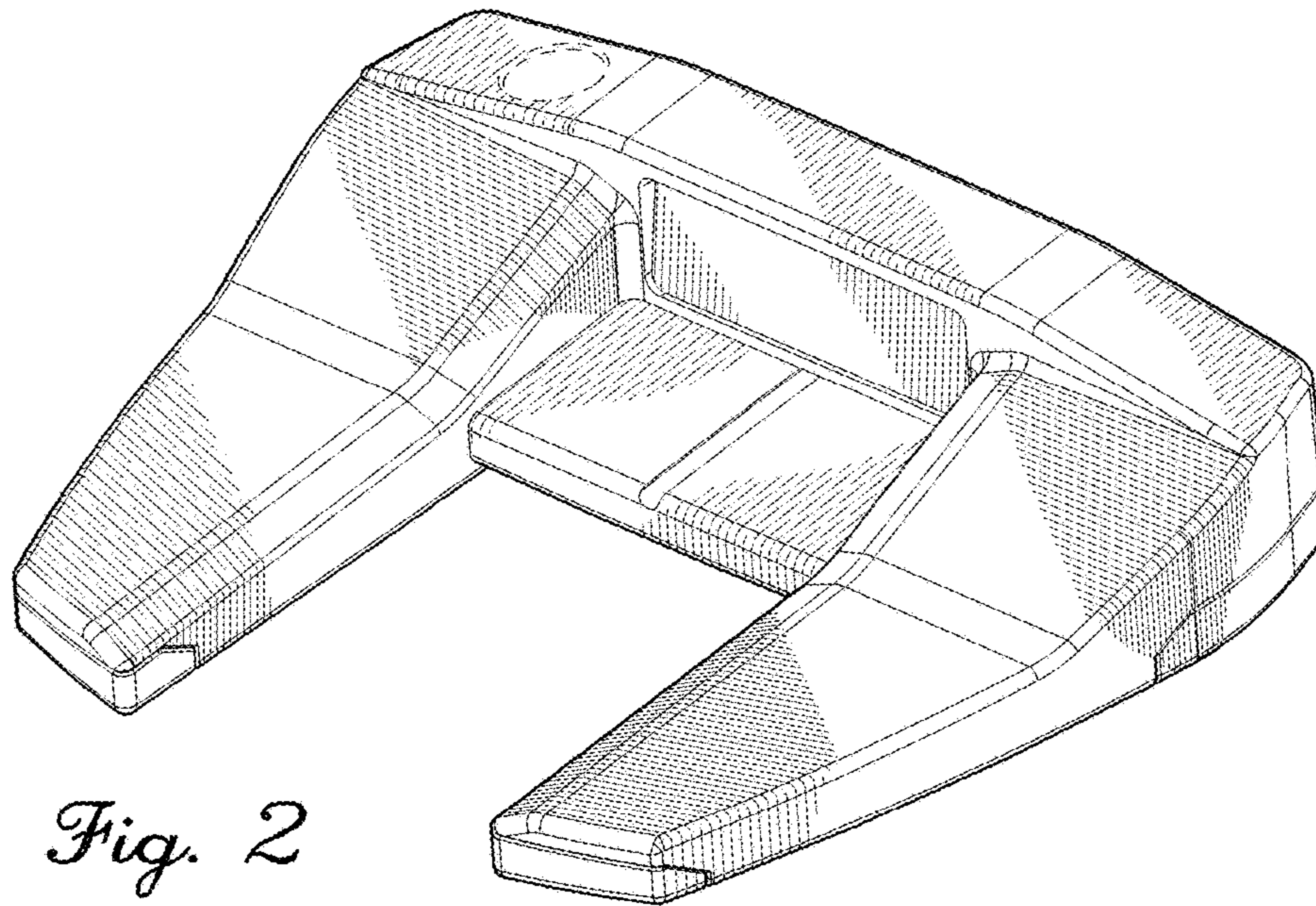


Fig. 2

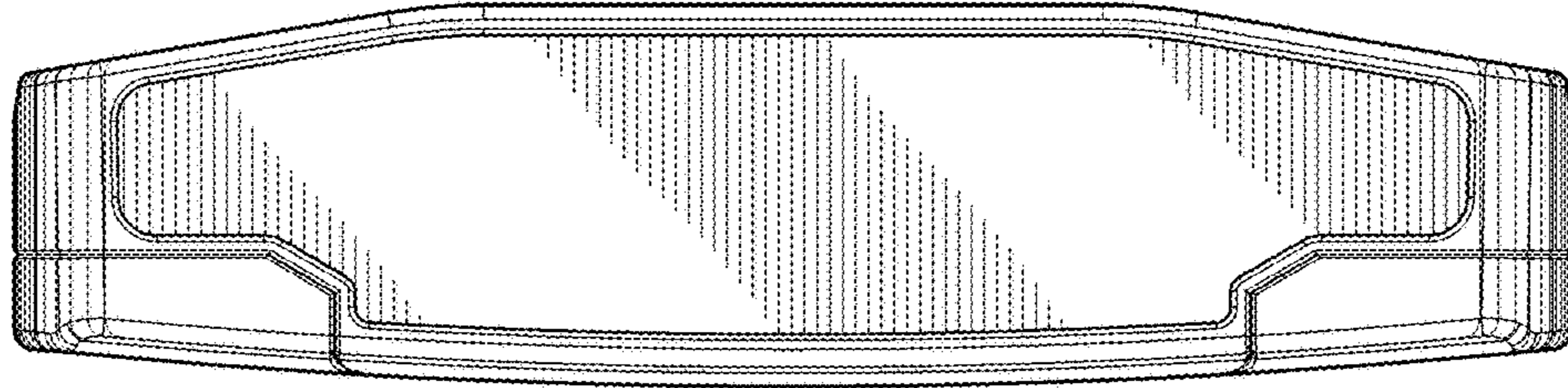


Fig. 3

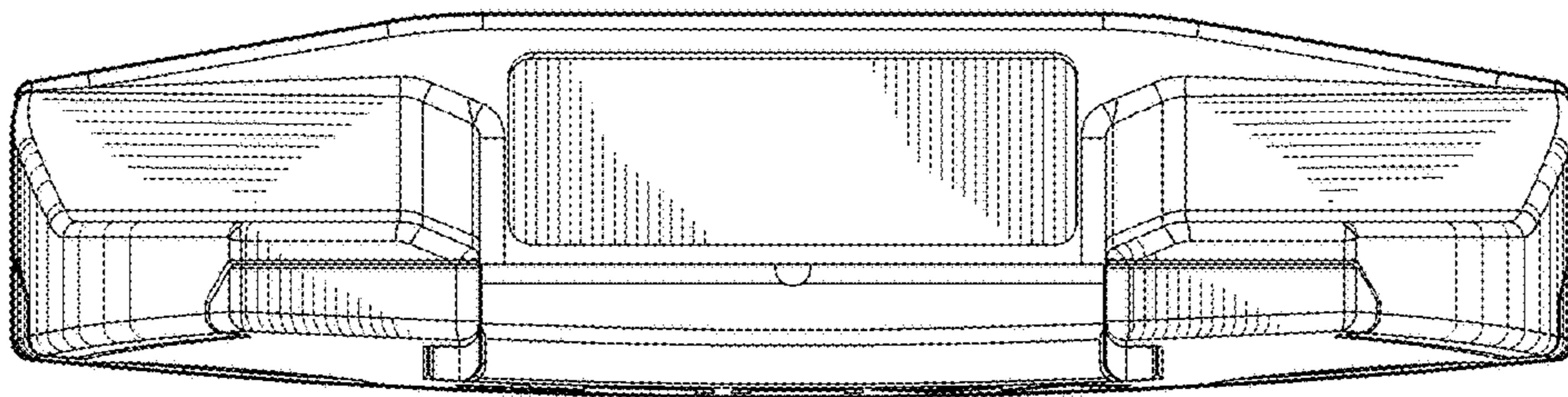
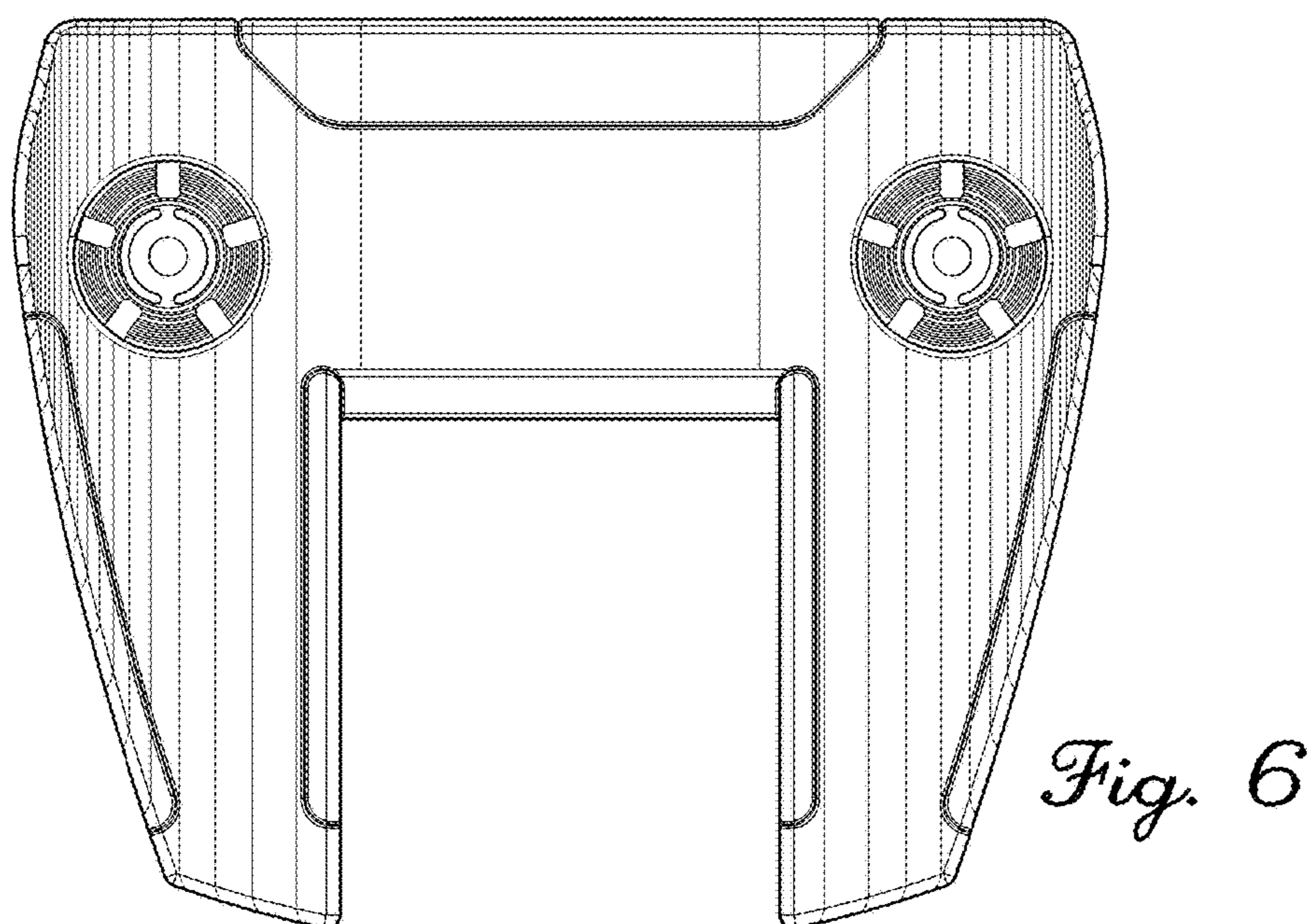
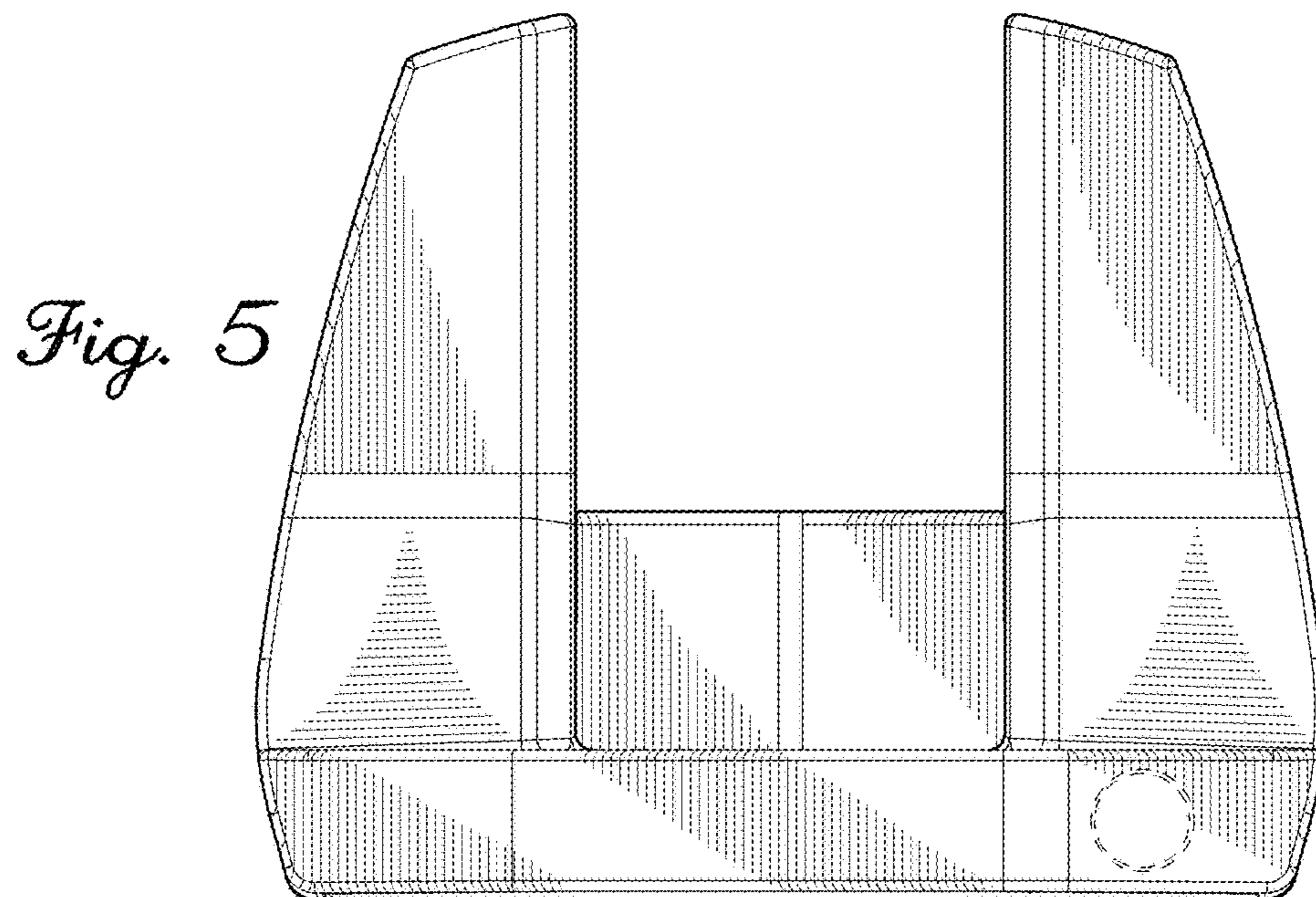


Fig. 4



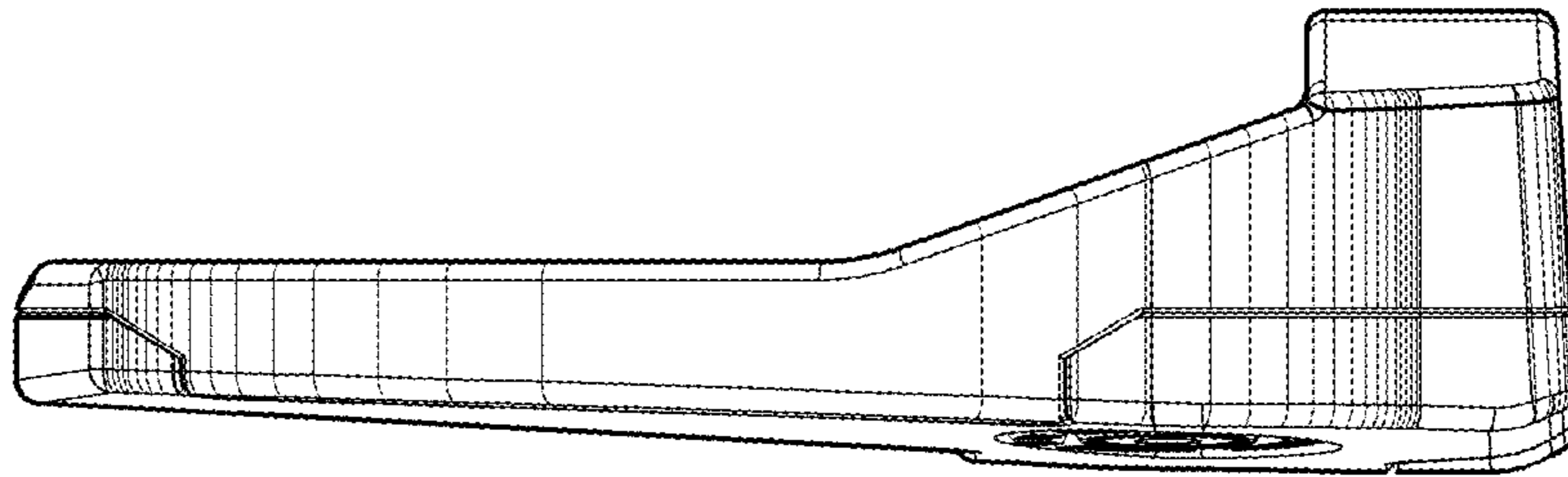


Fig. 7

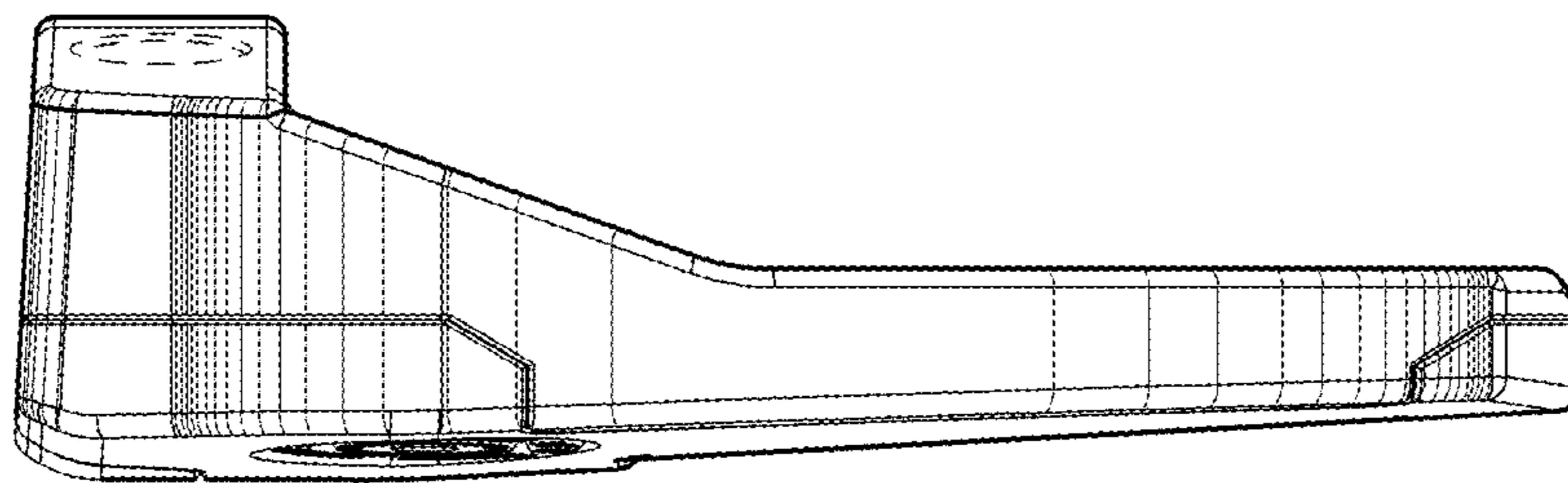


Fig. 8

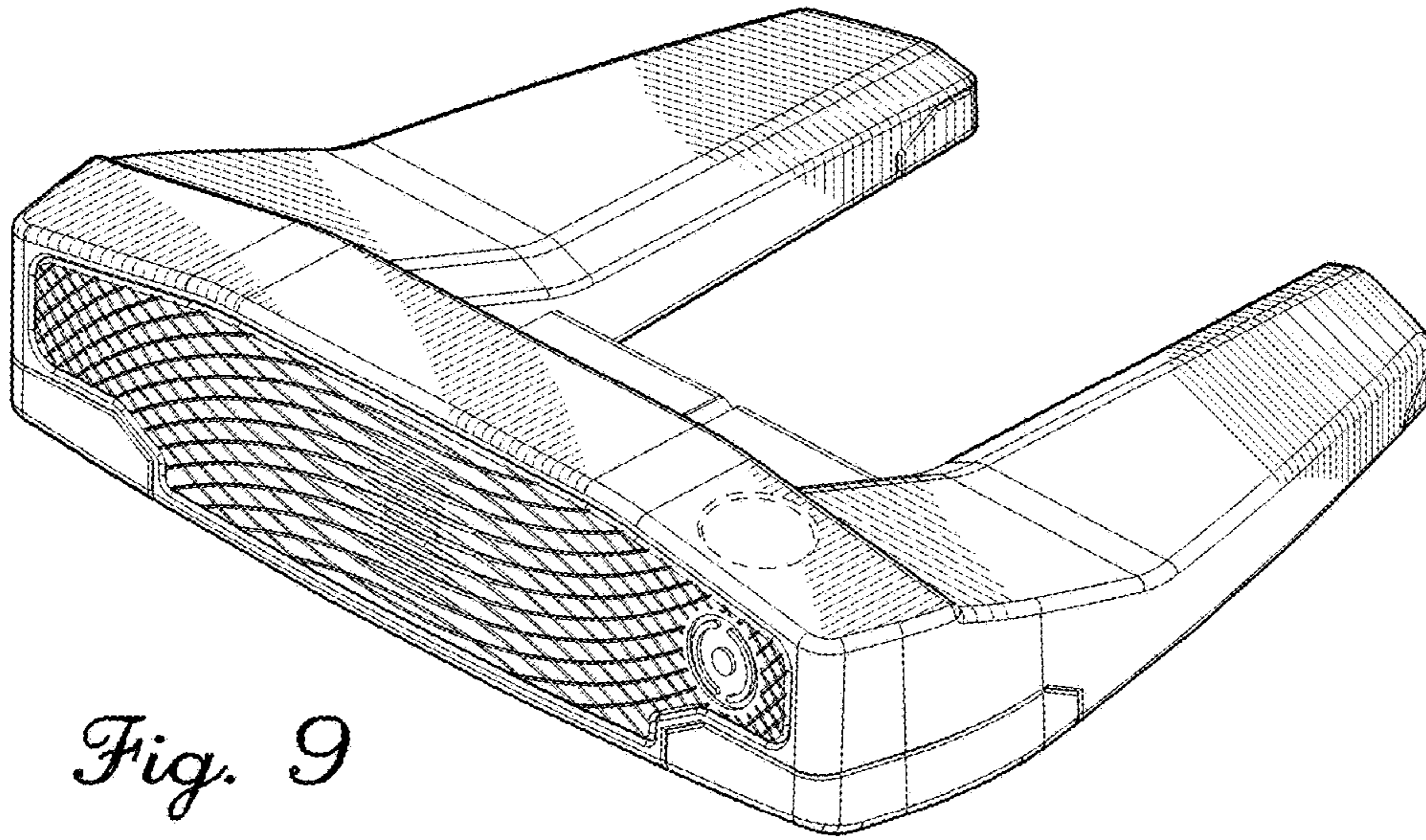


Fig. 9

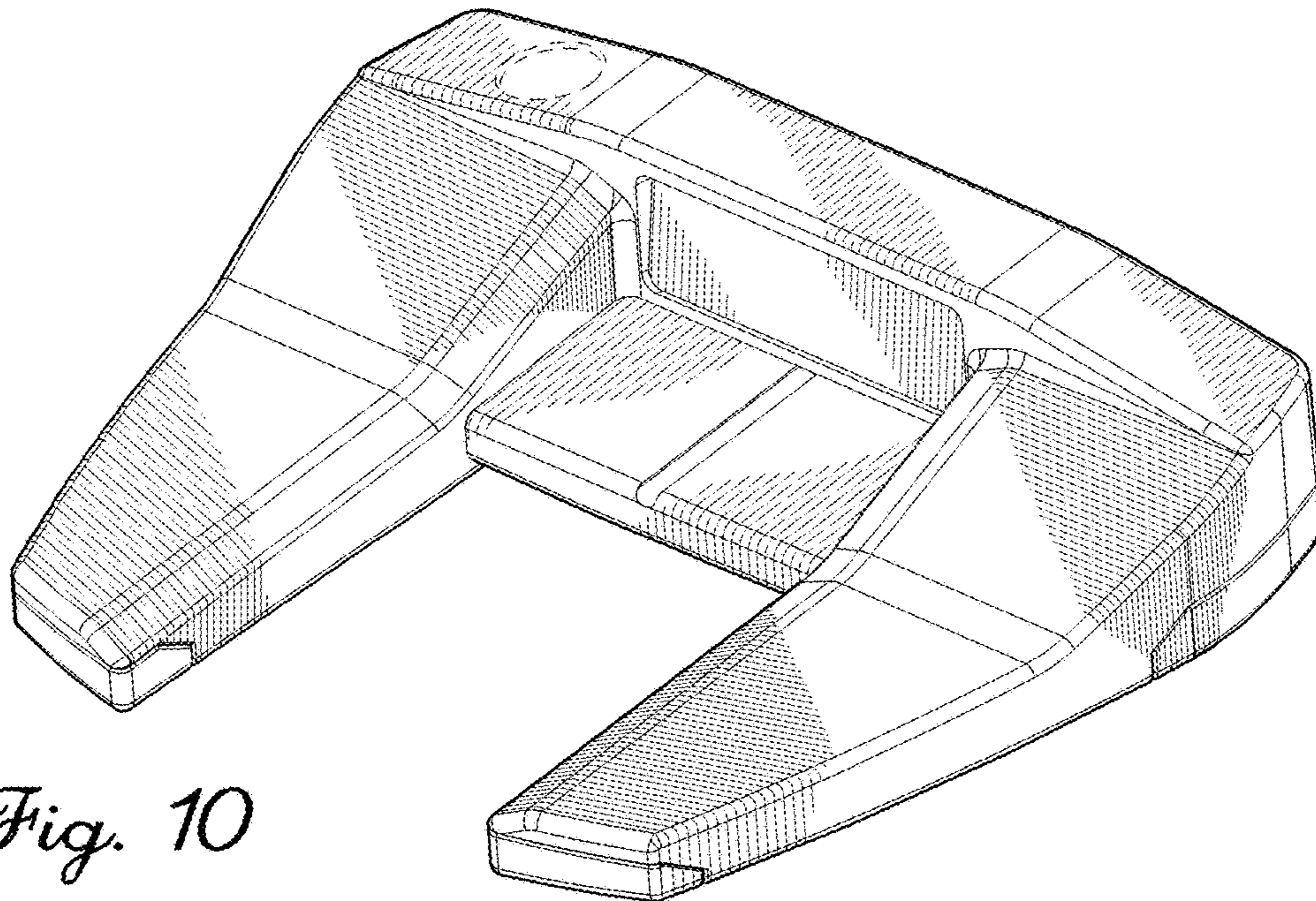


Fig. 10

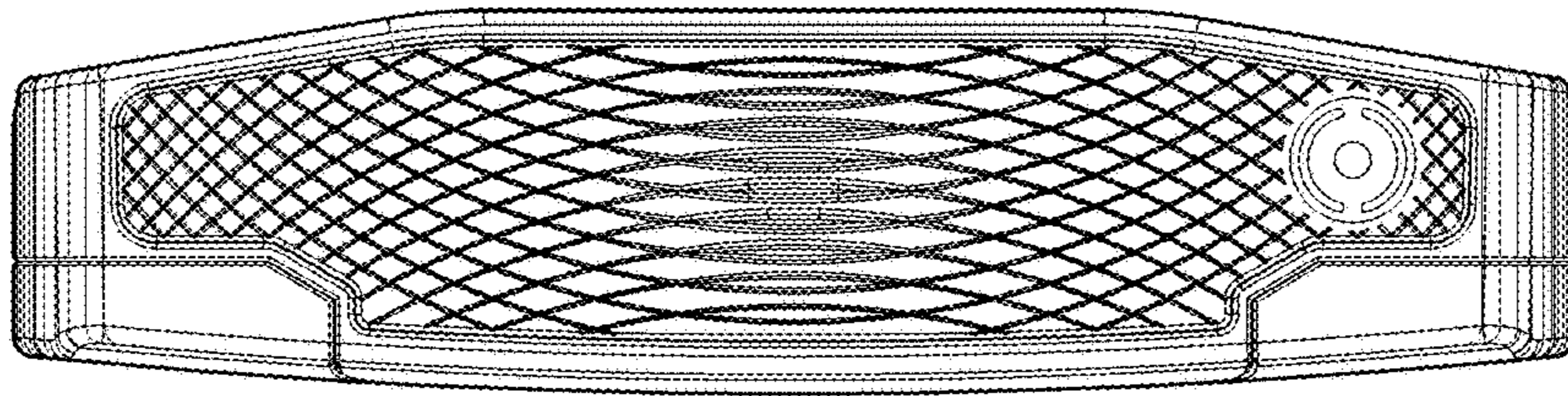


Fig. 11

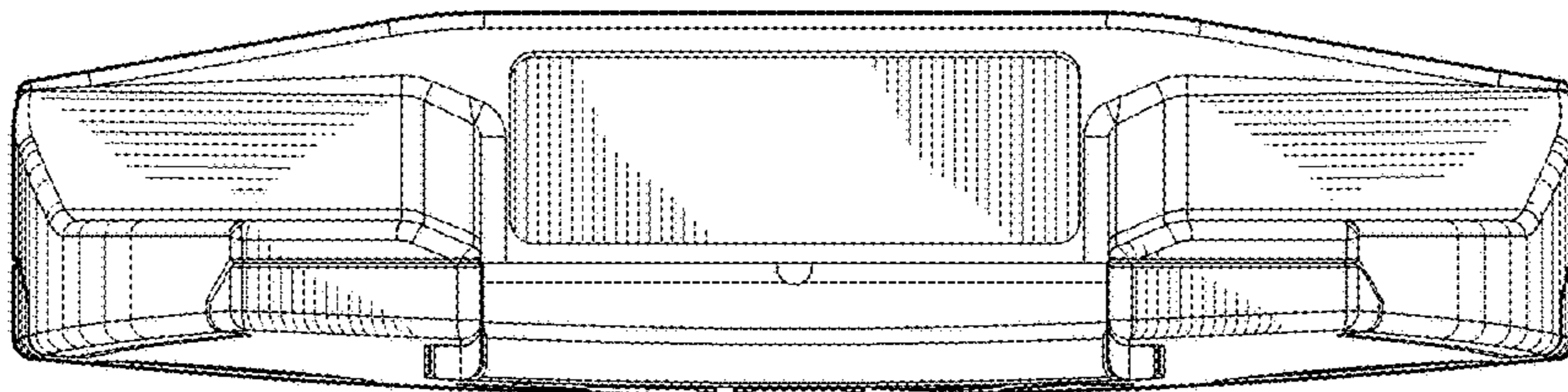


Fig. 12

Fig. 13

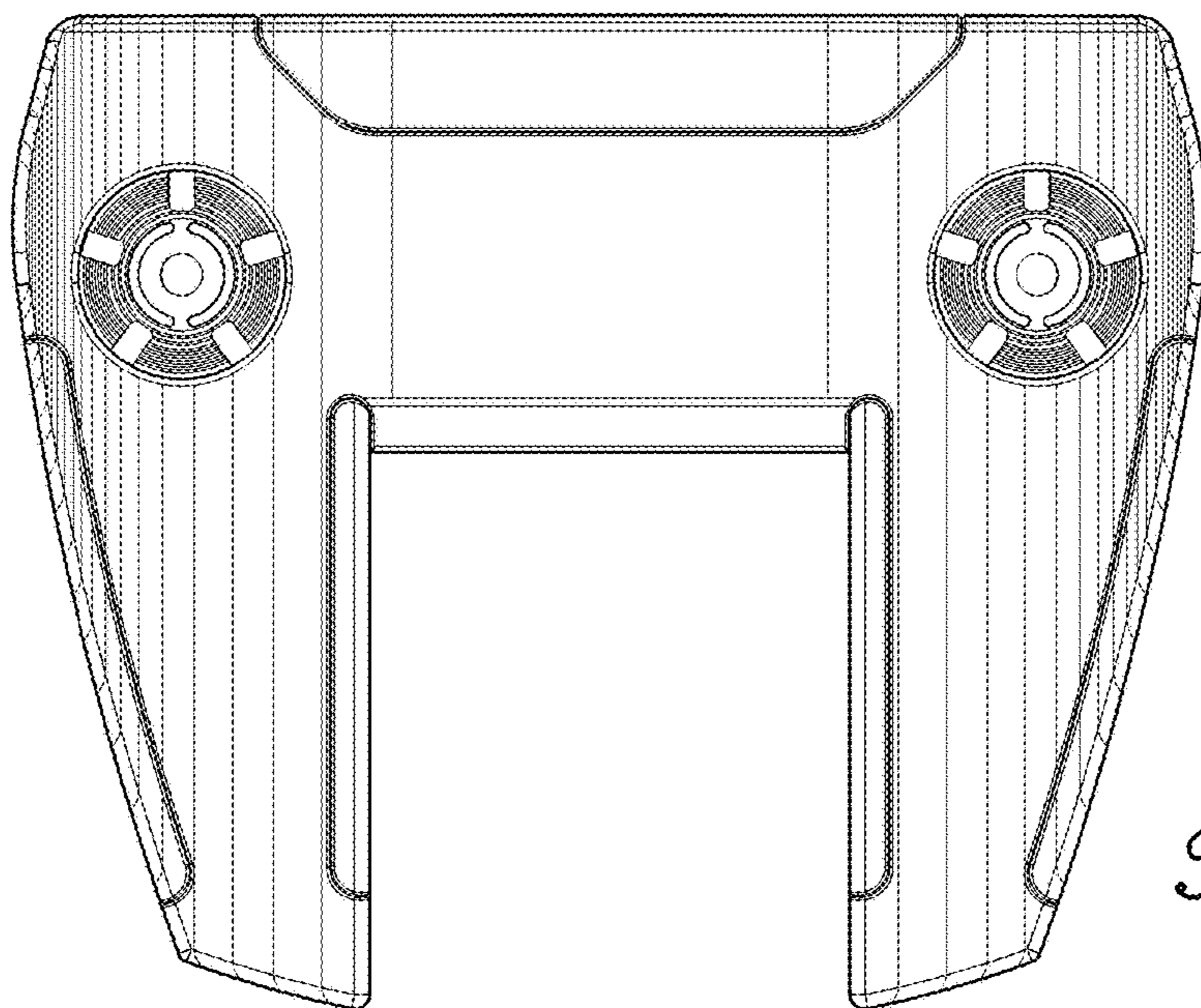
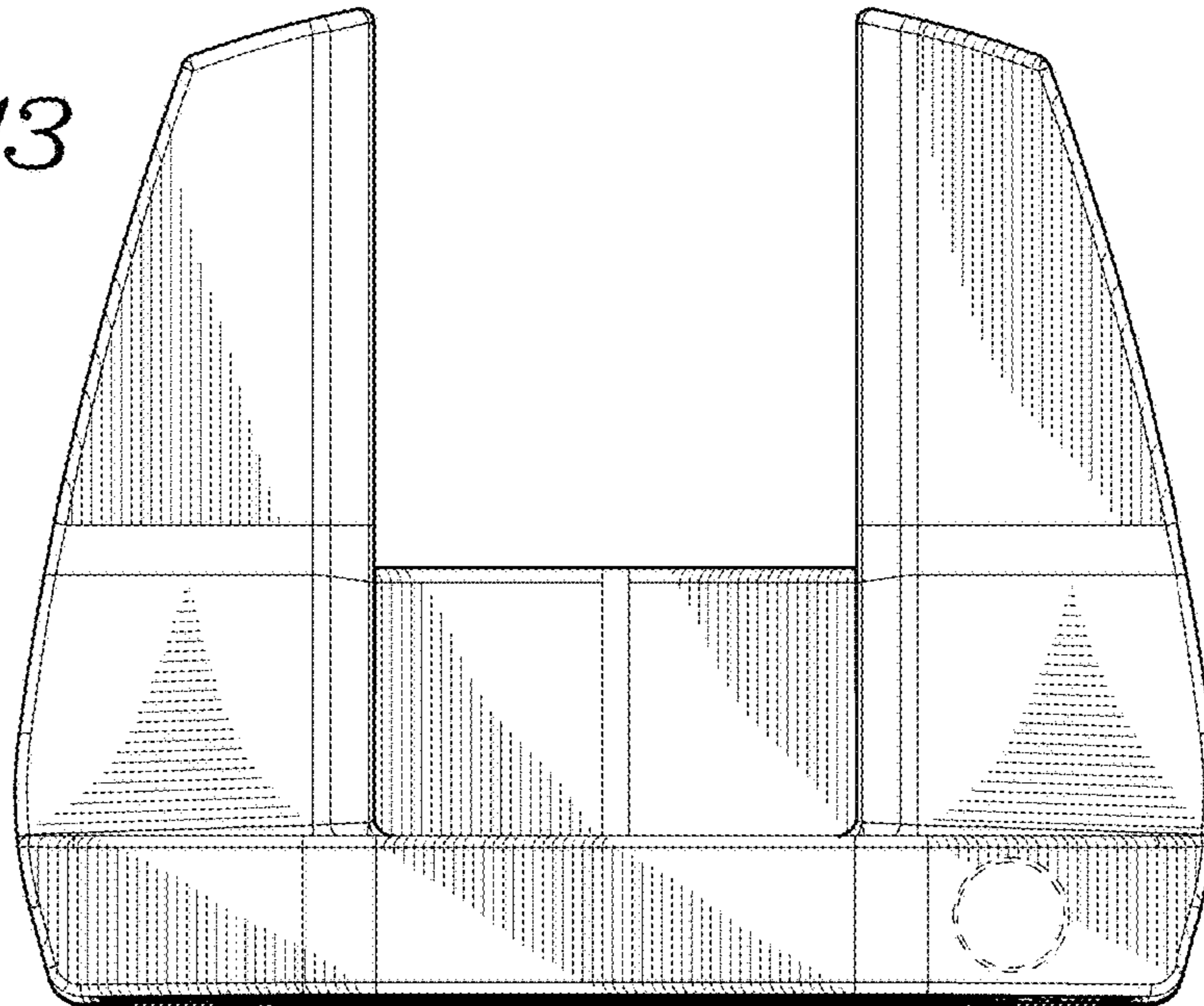


Fig. 14

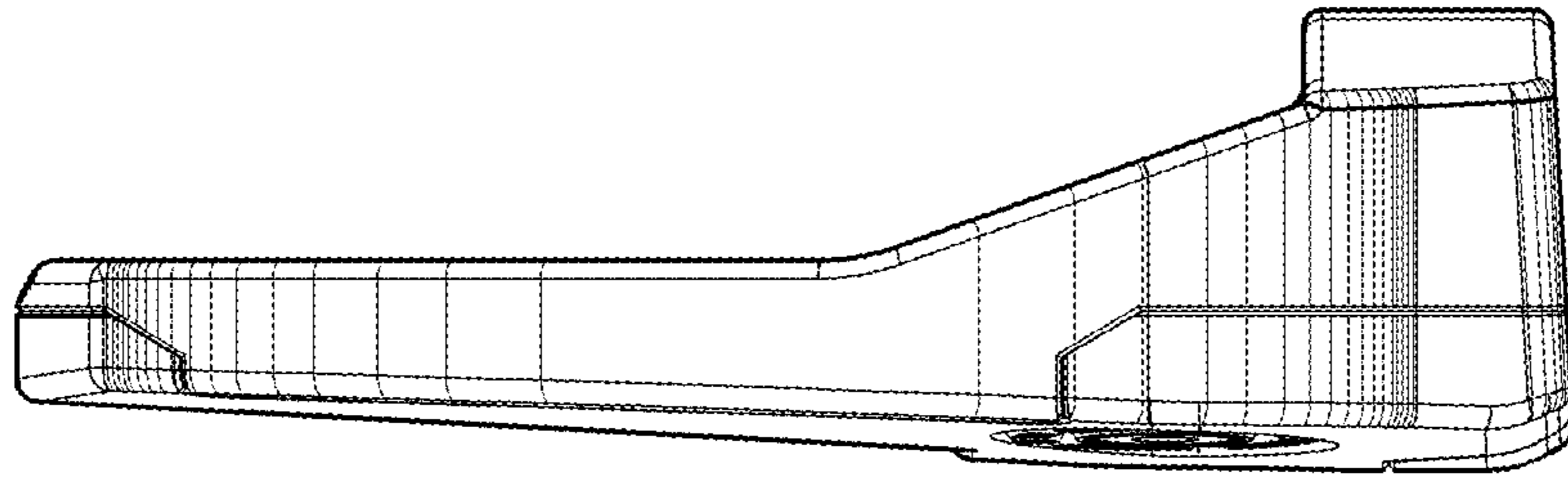


Fig. 15

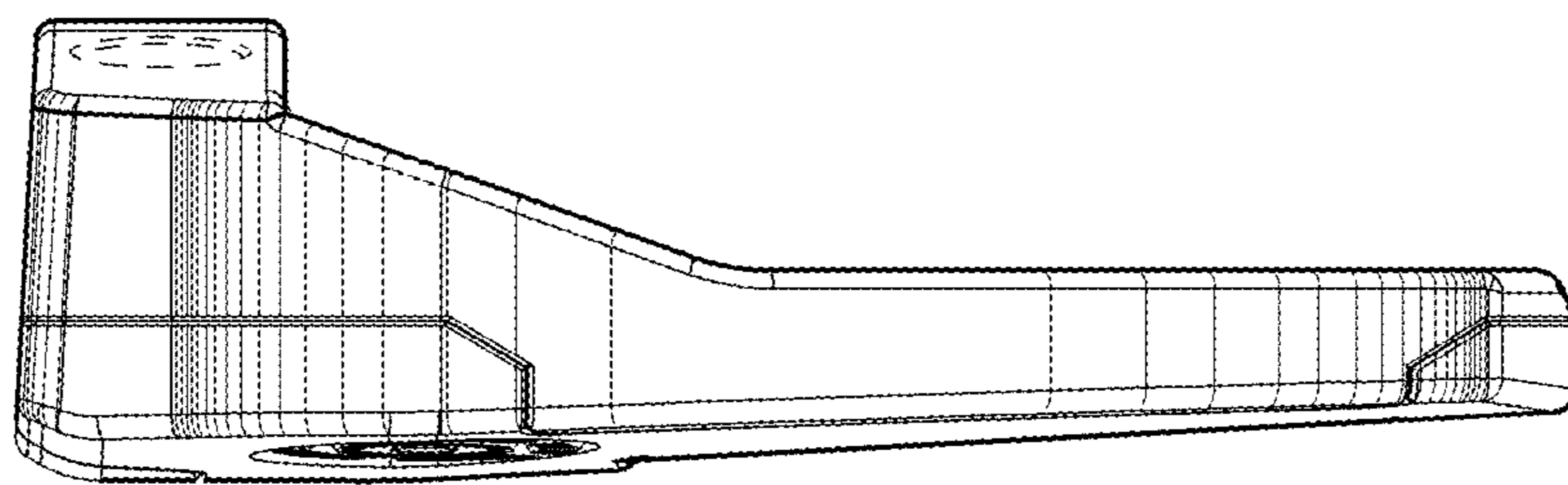


Fig. 16