



US00D832380S

(12) **United States Design Patent**
Wang et al.

(10) **Patent No.:** **US D832,380 S**
(45) **Date of Patent:** **** Oct. 30, 2018**

(54) **GOLF CLUB HEAD**

(71) Applicant: **KARSTEN MANUFACTURING CORPORATION**, Phoenix, AZ (US)

(72) Inventors: **Calvin S. Wang**, Chandler, AZ (US);
Ryan M. Stokke, Anthem, AZ (US)

(73) Assignee: **Karsten Manufacturing Corporation**, Phoenix, AZ (US)

(**) Term: **15 Years**

(21) Appl. No.: **29/610,790**

(22) Filed: **Jul. 14, 2017**

(51) **LOC (11) Cl.** **21-02**

(52) **U.S. Cl.**
USPC **D21/743**

(58) **Field of Classification Search**
USPC D21/736-746, 759
CPC A63B 53/00; A63B 53/04; A63B 53/007;
A63B 53/065; A63B 53/0487; A63B
60/00; A63B 60/46
See application file for complete search history.

(56) **References Cited**

U.S. PATENT DOCUMENTS

3,652,094 A	3/1972	Glover	
3,884,477 A	5/1975	Bianco	
4,030,766 A	6/1977	Derr	
4,869,507 A	9/1989	Sahm	
D316,129 S	4/1991	Bryson	
5,275,412 A	1/1994	Innes	
5,685,784 A	11/1997	Butler	
5,746,664 A	5/1998	Reynolds, Jr.	
D402,343 S *	12/1998	Helmstetter D21/738

(Continued)

FOREIGN PATENT DOCUMENTS

CN	2920325 Y	7/2007
CN	103252065 A	8/2013

(Continued)

OTHER PUBLICATIONS

Odyssey Works Tank Cruiser #1w, <http://www.pgatoursuperstore.com/odyssey-works-tank-cruiser-1w/1000000005200.jsp> , Date Accessed: Dec. 14, 2016.

(Continued)

Primary Examiner — Mitchell I. Siegel

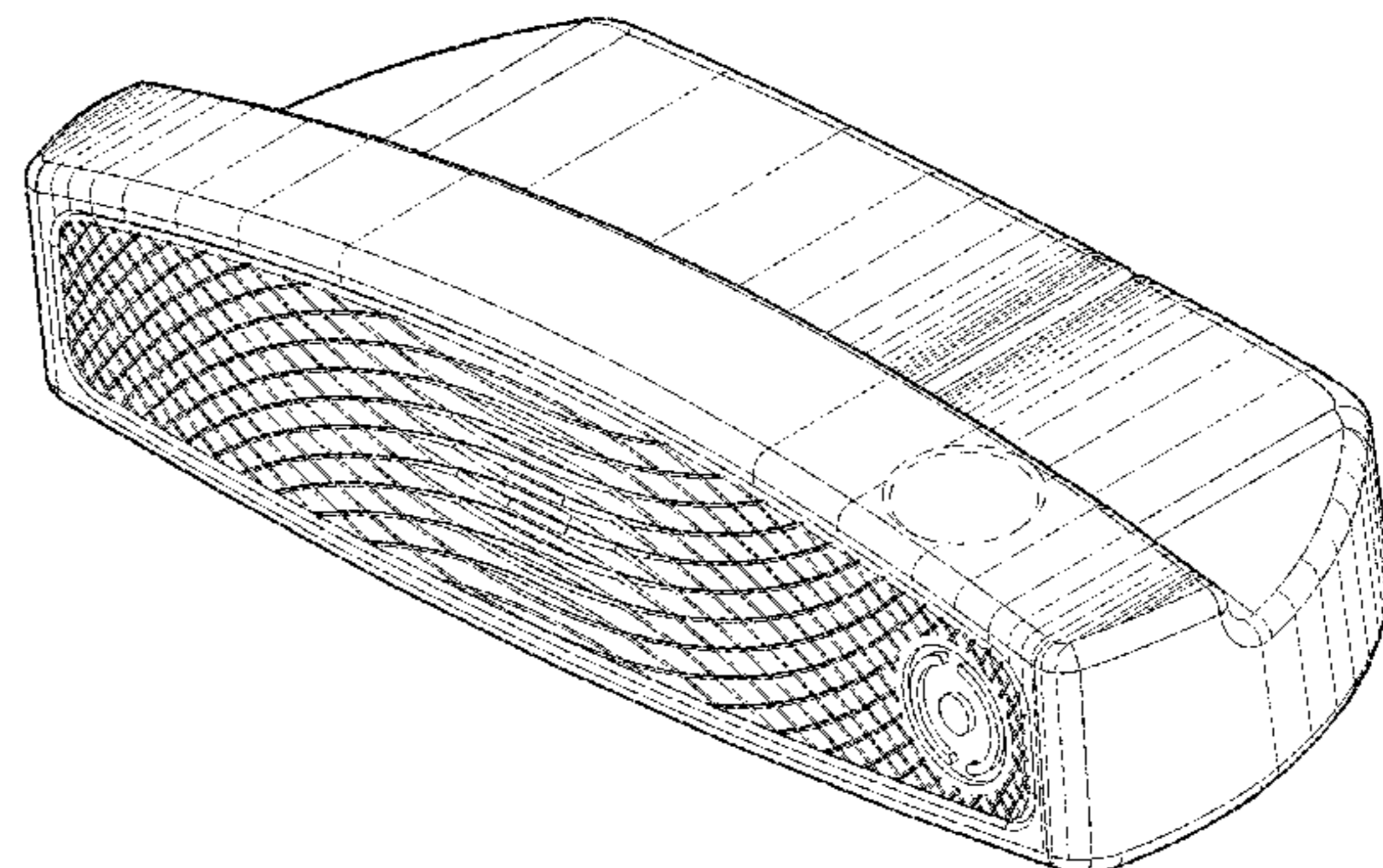
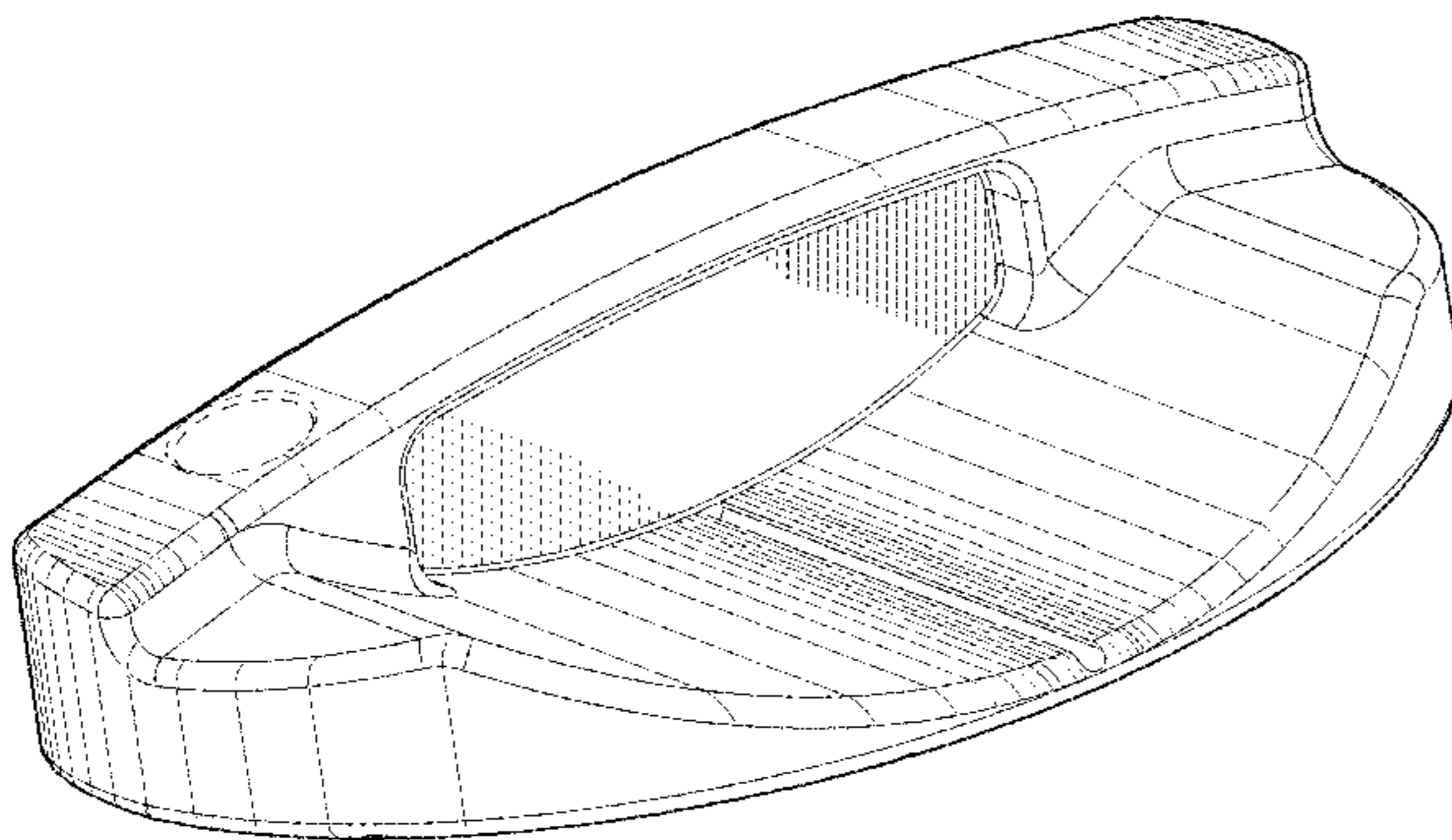
(57) **CLAIM**

The ornamental design for a golf club head, as shown and described.

DESCRIPTION

FIG. 1 is a front perspective view of a golf club head; FIG. 2 is a rear perspective view of the golf club head of FIG. 1; FIG. 3 is a front view of the golf club head of FIG. 1; FIG. 4 is a rear view of the golf club head of FIG. 1; FIG. 5 is a top view of the golf club head of FIG. 1; FIG. 6 is a bottom view of the golf club head of FIG. 1; FIG. 7 is a toe view of the golf club head of FIG. 1; FIG. 8 is a heel view of the golf club head of FIG. 1; FIG. 9 is a front perspective view of a second embodiment of the golf club head; FIG. 10 is a rear perspective view of the golf club head of FIG. 9; FIG. 11 is a front view of the golf club head of FIG. 9; FIG. 12 is a rear view of the golf club head of FIG. 9; FIG. 13 is a top view of the golf club head of FIG. 9; FIG. 14 is a bottom view of the golf club head of FIG. 9; FIG. 15 is a toe view of the golf club head of FIG. 9; and, FIG. 16 is a heel view of the golf club head of FIG. 9. The broken line showing is included for the purpose of illustrating unclaimed subject matter and forms no part of the claimed design.

1 Claim, 8 Drawing Sheets



(56)

References Cited

U.S. PATENT DOCUMENTS

D405,836 S 2/1999 Nicolette
 D411,271 S * 6/1999 Nelson D21/738
 D413,951 S 9/1999 Storer
 D420,079 S 2/2000 Frazetta
 6,048,275 A 4/2000 Gedeon
 D427,262 S 6/2000 Frazetta
 D429,297 S * 8/2000 Hettinger D21/744
 6,159,108 A 12/2000 De La Pena
 D443,905 S 6/2001 Nicolette
 D447,782 S * 9/2001 Hettinger D21/744
 D449,865 S * 10/2001 Fife, Jr. D21/736
 D451,973 S 12/2001 Wells
 6,379,259 B1 4/2002 Opie
 D463,517 S 9/2002 Ngon
 D472,949 S * 4/2003 Serrano D21/736
 D484,937 S * 1/2004 Madore D21/742
 D488,526 S 4/2004 Souza
 D500,109 S 12/2004 Solheim
 D500,110 S 12/2004 Solheim
 6,837,801 B1 1/2005 Souza
 6,878,071 B1 4/2005 Schweiger
 6,893,355 B2 5/2005 Souza
 6,902,496 B2 6/2005 Solheim
 D507,612 S 7/2005 Souza
 6,926,615 B1 8/2005 Souza
 D511,802 S * 11/2005 Cameron D21/744
 6,960,140 B2 11/2005 Solheim
 6,966,845 B2 11/2005 Solheim
 D514,181 S * 1/2006 Cameron D21/738
 D520,584 S 5/2006 Karlson
 D521,582 S 5/2006 Souza
 7,052,411 B2 5/2006 Solheim
 D522,598 S 6/2006 Solheim
 7,077,758 B2 7/2006 Rohrer
 7,086,957 B2 8/2006 Solheim
 D527,777 S 9/2006 Solheim
 D529,108 S 9/2006 Stites
 D532,847 S 11/2006 Rollinson
 D533,243 S 12/2006 Fife
 7,235,021 B2 6/2007 Solheim
 D548,295 S 8/2007 Jertson
 7,255,650 B2 8/2007 Bryant
 D552,197 S 10/2007 Wells
 D565,137 S 3/2008 Oldknow
 D569,462 S 5/2008 Rollinson
 7,371,185 B1 5/2008 Rohrer
 D581,473 S 11/2008 Thomas
 D583,003 S 12/2008 Solheim
 D587,325 S 2/2009 Solheim
 D595,372 S 6/2009 Rollinson
 D600,760 S 9/2009 Serrano
 D600,761 S 9/2009 Solheim
 D600,762 S 9/2009 Serrano
 7,601,076 B2 10/2009 Rollinson
 D604,782 S * 11/2009 Franklin D21/736

D607,950 S 1/2010 Souza
 D621,458 S 8/2010 Serrano
 D621,460 S 8/2010 Serrano
 D621,461 S 8/2010 Serrano
 D621,462 S 8/2010 Serrano
 D621,891 S 8/2010 Serrano
 7,803,066 B2 9/2010 Solheim
 7,815,515 B1 10/2010 Hunt
 D638,891 S 5/2011 Nicolette
 D640,341 S 6/2011 Foster et al.
 D643,080 S 8/2011 Serrano
 D643,485 S 8/2011 Nicolette
 D643,486 S 8/2011 Serrano
 D643,487 S 8/2011 Serrano
 8,100,779 B2 1/2012 Solheim
 D653,718 S 2/2012 Stokke
 8,109,838 B2 2/2012 Solheim
 8,128,505 B2 3/2012 Tryner et al.
 D664,617 S 7/2012 Serrano
 D720,022 S * 12/2014 Rollinson D21/736
 D720,023 S * 12/2014 Rollinson D21/736
 D759,174 S * 6/2016 Rollinson D21/743
 D807,454 S * 1/2018 Serrano D21/744
 2003/0083149 A1 5/2003 Scarpa et al.
 2005/0170904 A1 8/2005 Smeeth
 2006/0089206 A1 4/2006 Lo
 2006/0094533 A1 5/2006 Warren
 2006/0166755 A1 7/2006 Brown
 2007/0010348 A1 1/2007 Jung
 2007/0191135 A1 8/2007 Nilsson
 2008/0045353 A1 2/2008 Lo et al.
 2008/0096686 A1 4/2008 Bikhu
 2009/0270198 A1 10/2009 Solheim et al.
 2009/0305806 A1 12/2009 Campadore et al.
 2009/0305807 A1 12/2009 Solheim et al.
 2010/0048321 A1 2/2010 Beach et al.
 2010/0222155 A1 9/2010 Jones et al.
 2010/0227704 A1 9/2010 Souza
 2012/0115628 A1 5/2012 Woods
 2014/0179459 A1 6/2014 Schartiger et al.
 2015/0360099 A1 12/2015 Ban et al.

FOREIGN PATENT DOCUMENTS

GB 2133295 A 7/1984
 JP 2001137400 A 5/2001
 JP 1344474 S 2/2008

OTHER PUBLICATIONS

Cx1, <http://cureputters.com/products/cx1> , Date Accessed: Dec. 13, 2016.
 Callaway Golf Company Website, http://www.odysseygolf.jp/putter/milled_collection_sx/sx_9.html.
 Mizuno Corporation Website, http://www.mizunoshop.net/disp/CSfDetailGdsImage_001.jsp?GOODS_NO=142888&IMG_NO=1.

* cited by examiner

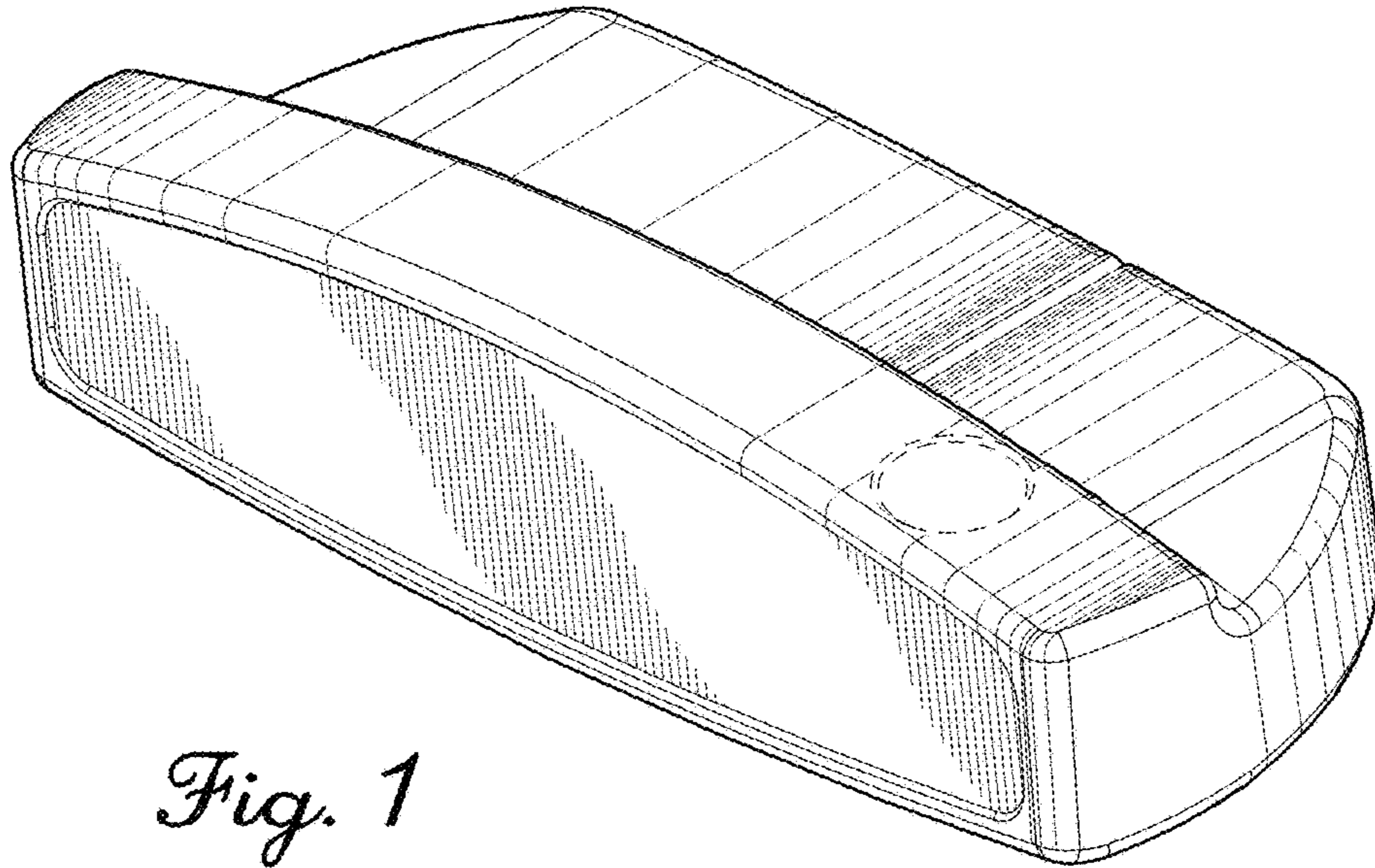


Fig. 1

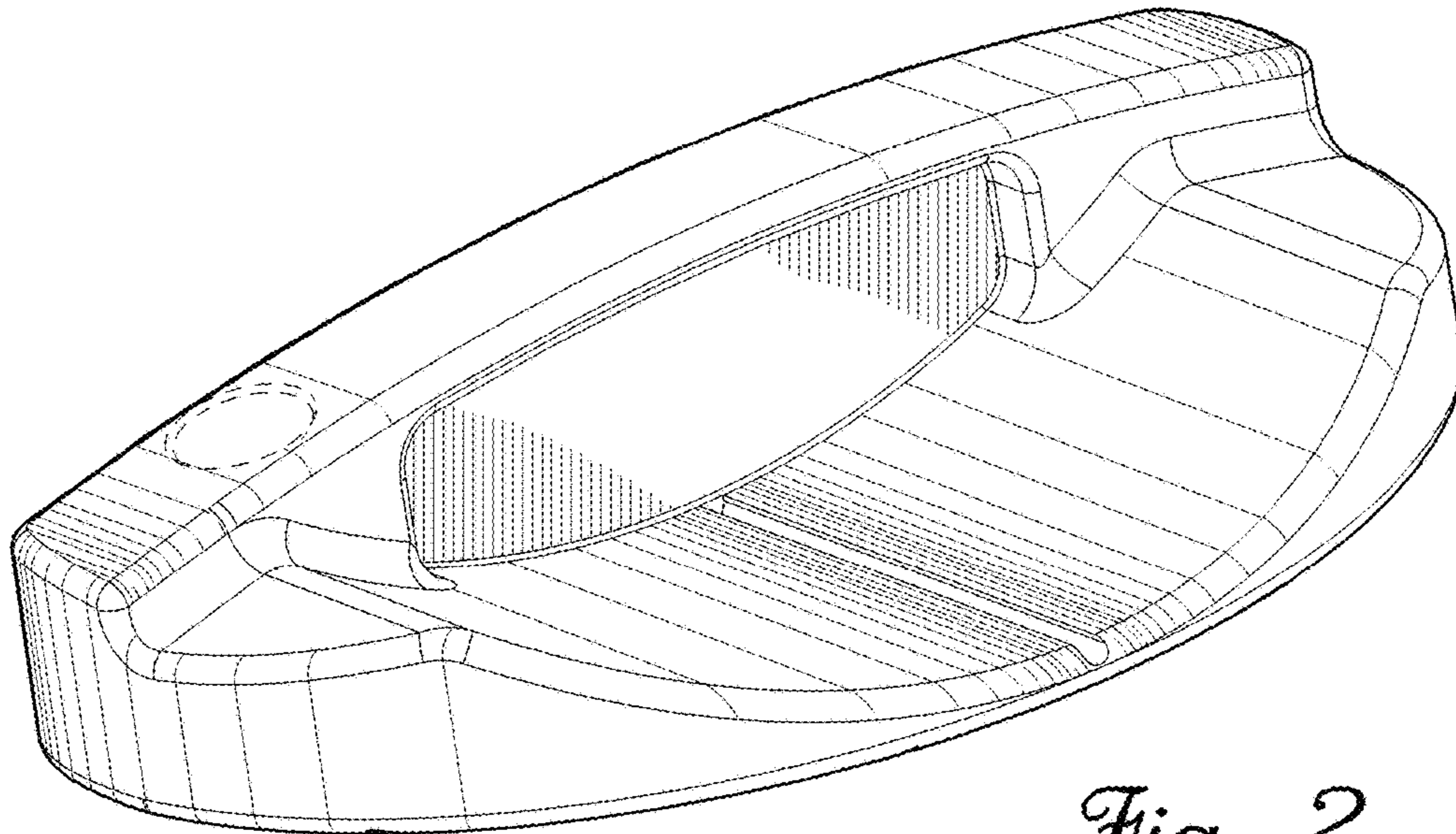


Fig. 2

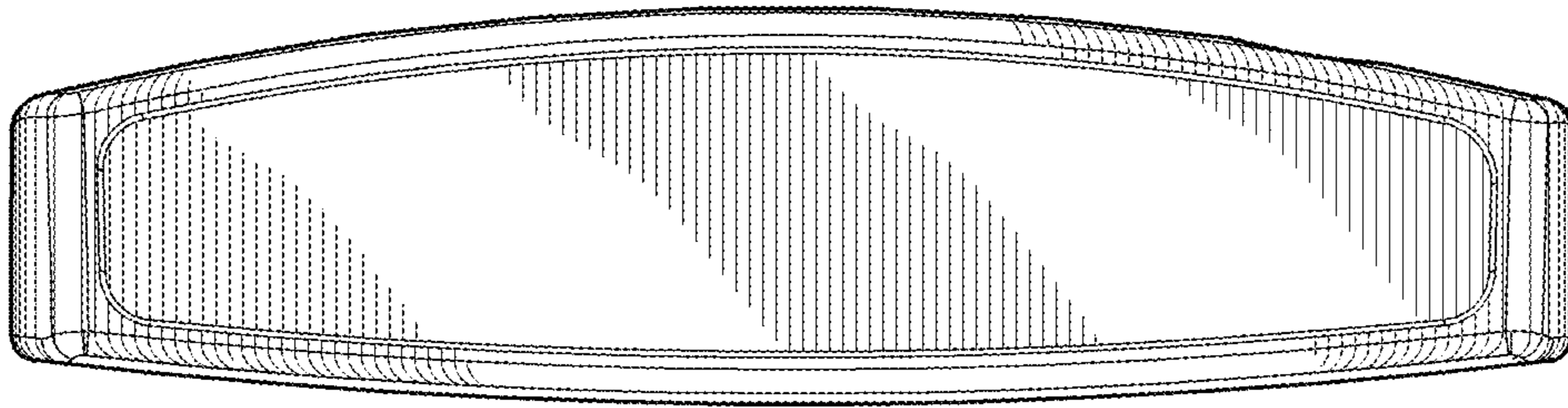


Fig. 3

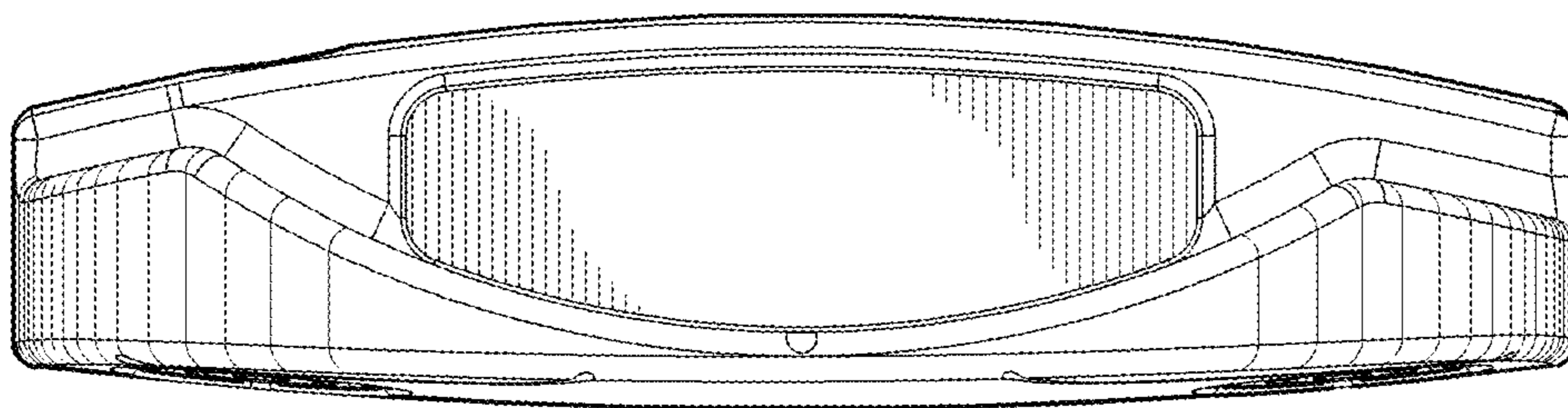


Fig. 4

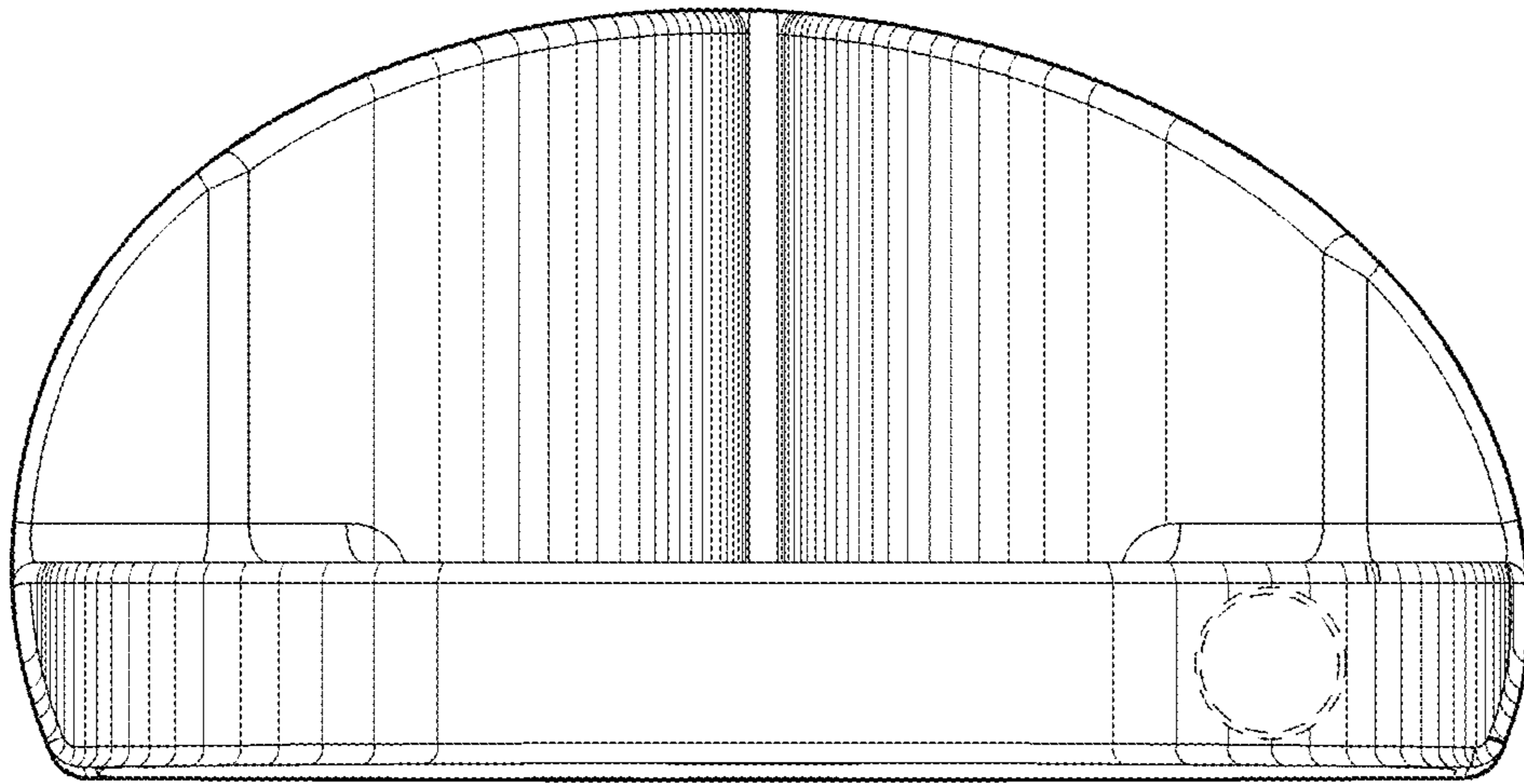


Fig. 5

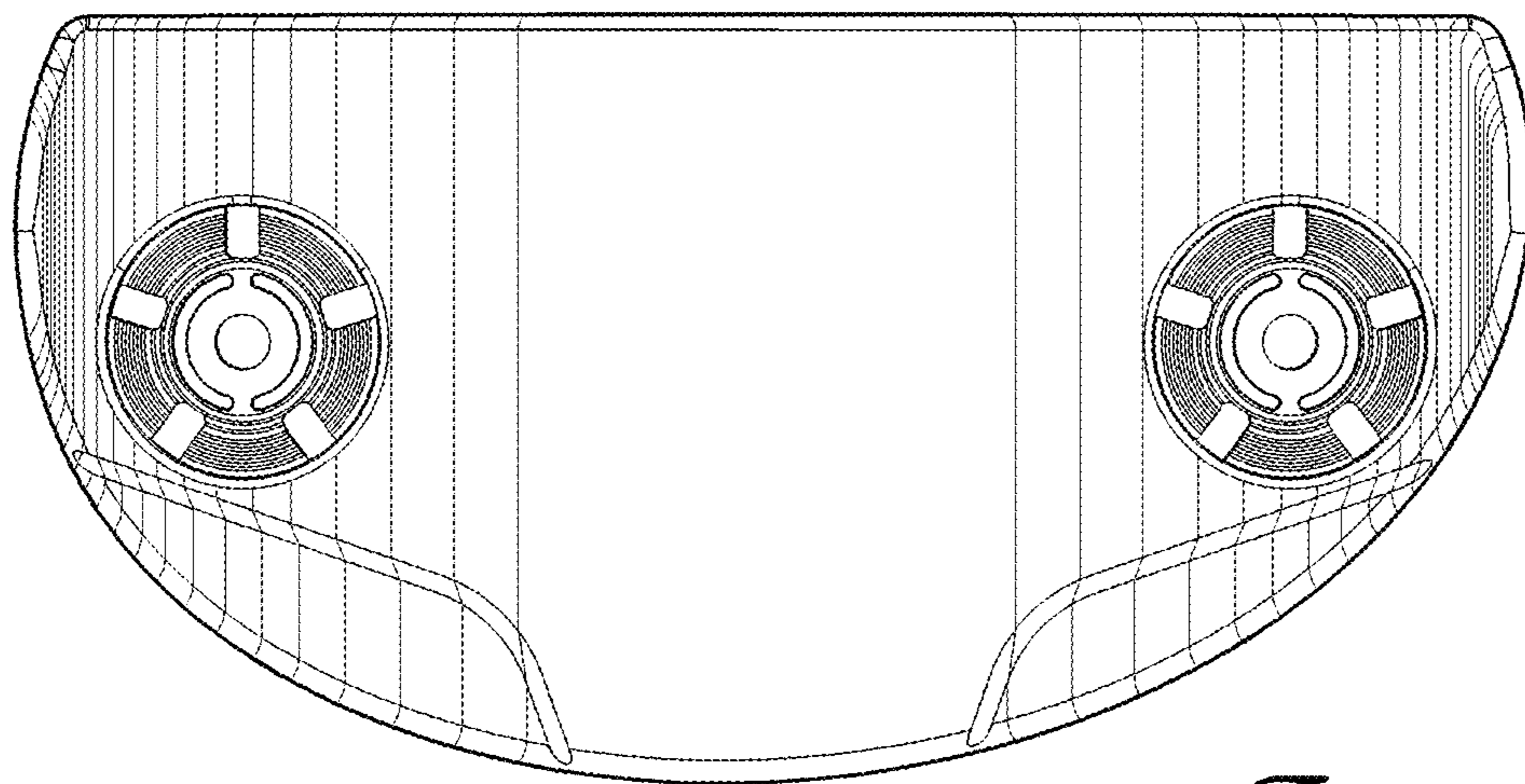


Fig. 6

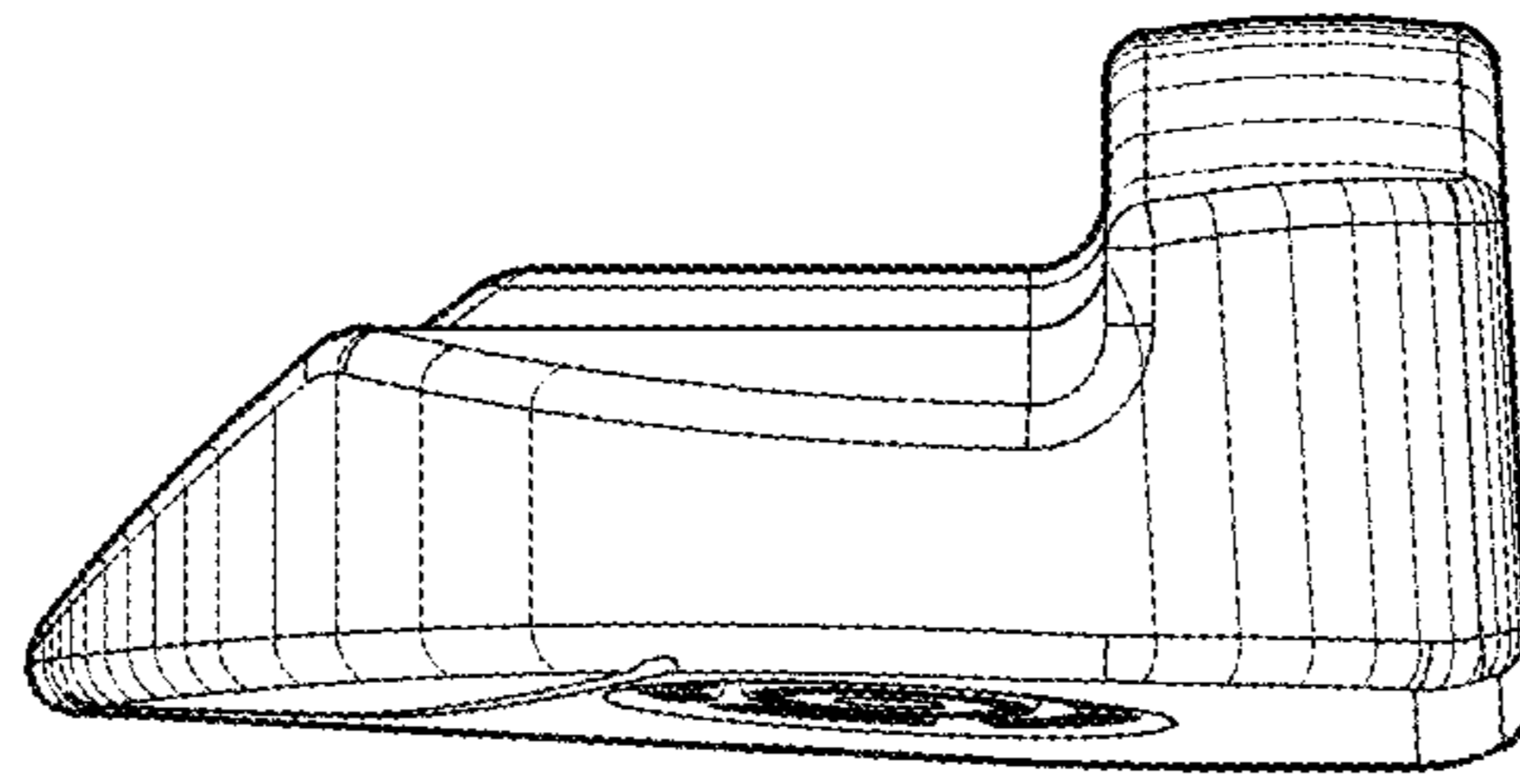


Fig. 7

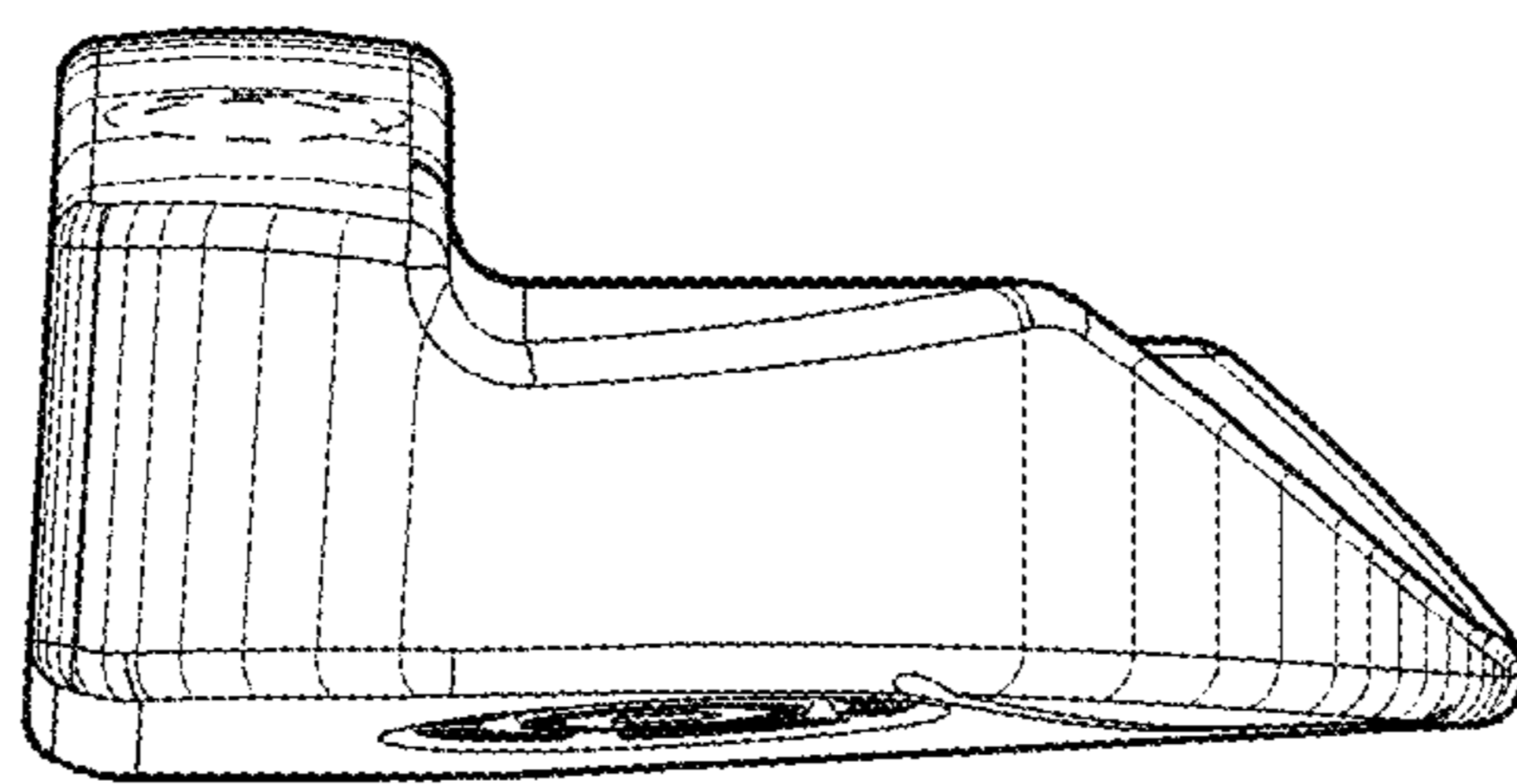


Fig. 8

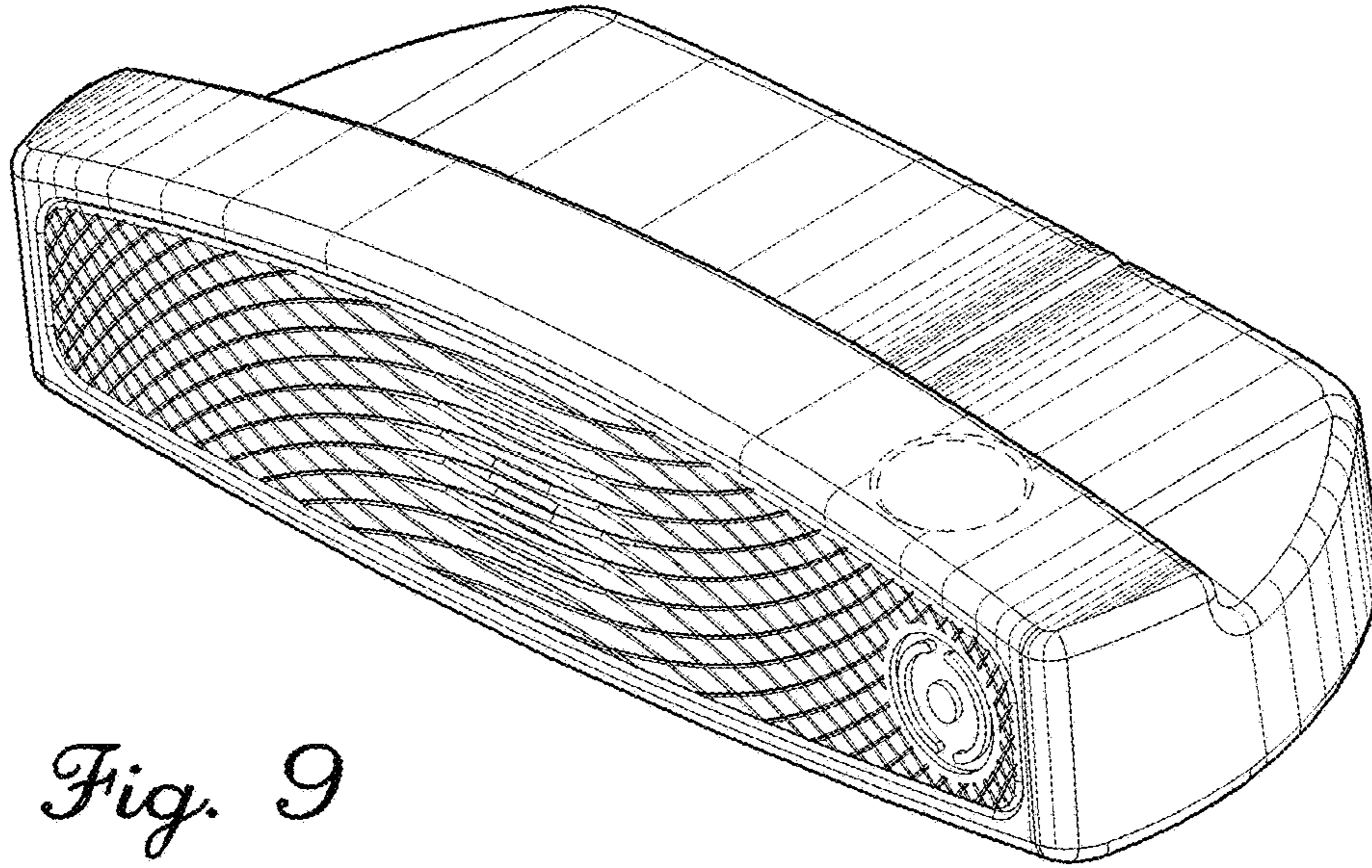


Fig. 9

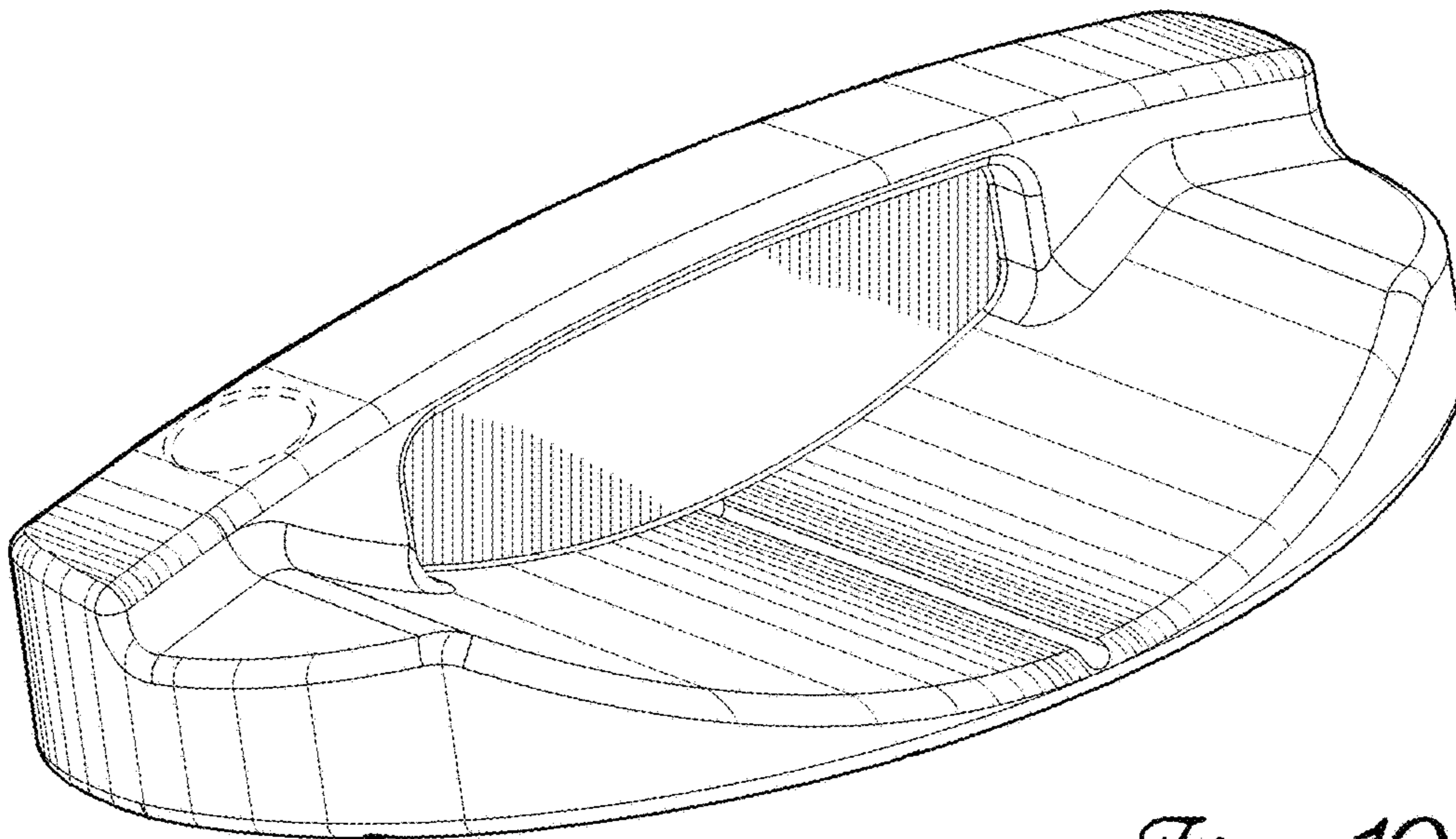


Fig. 10

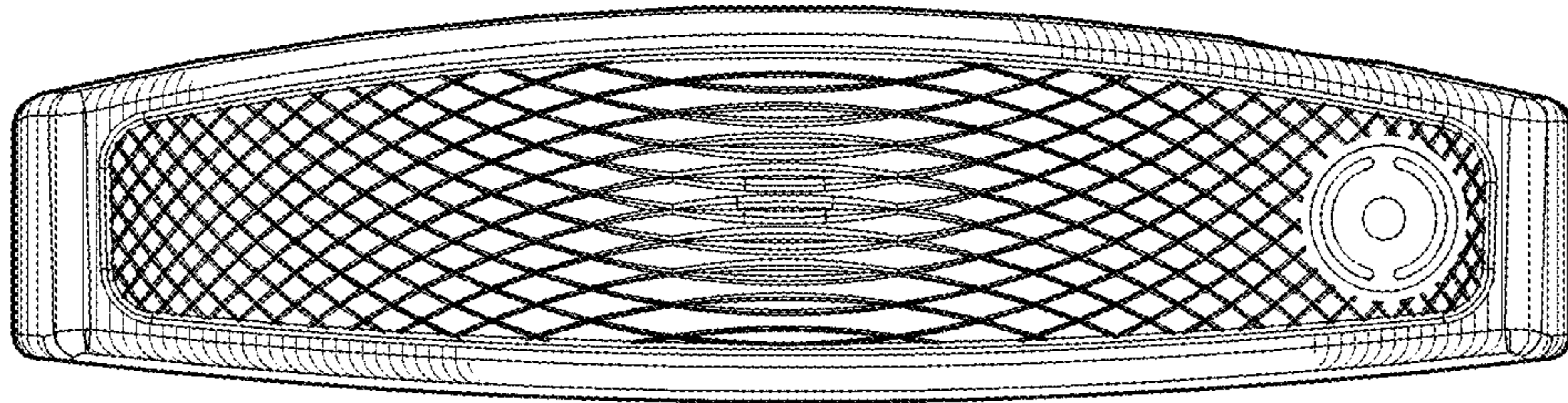


Fig. 11

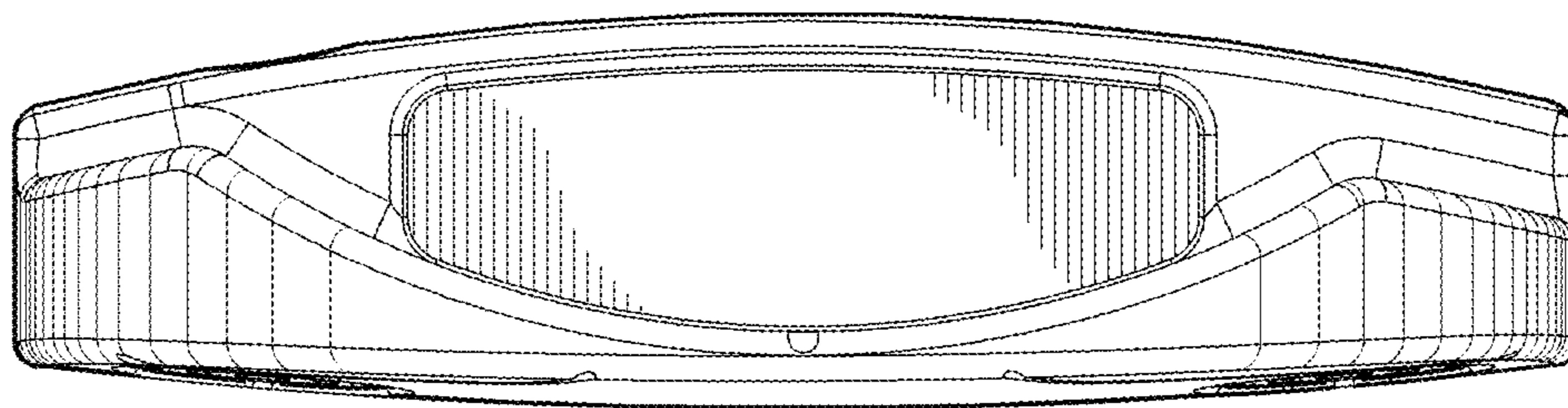


Fig. 12

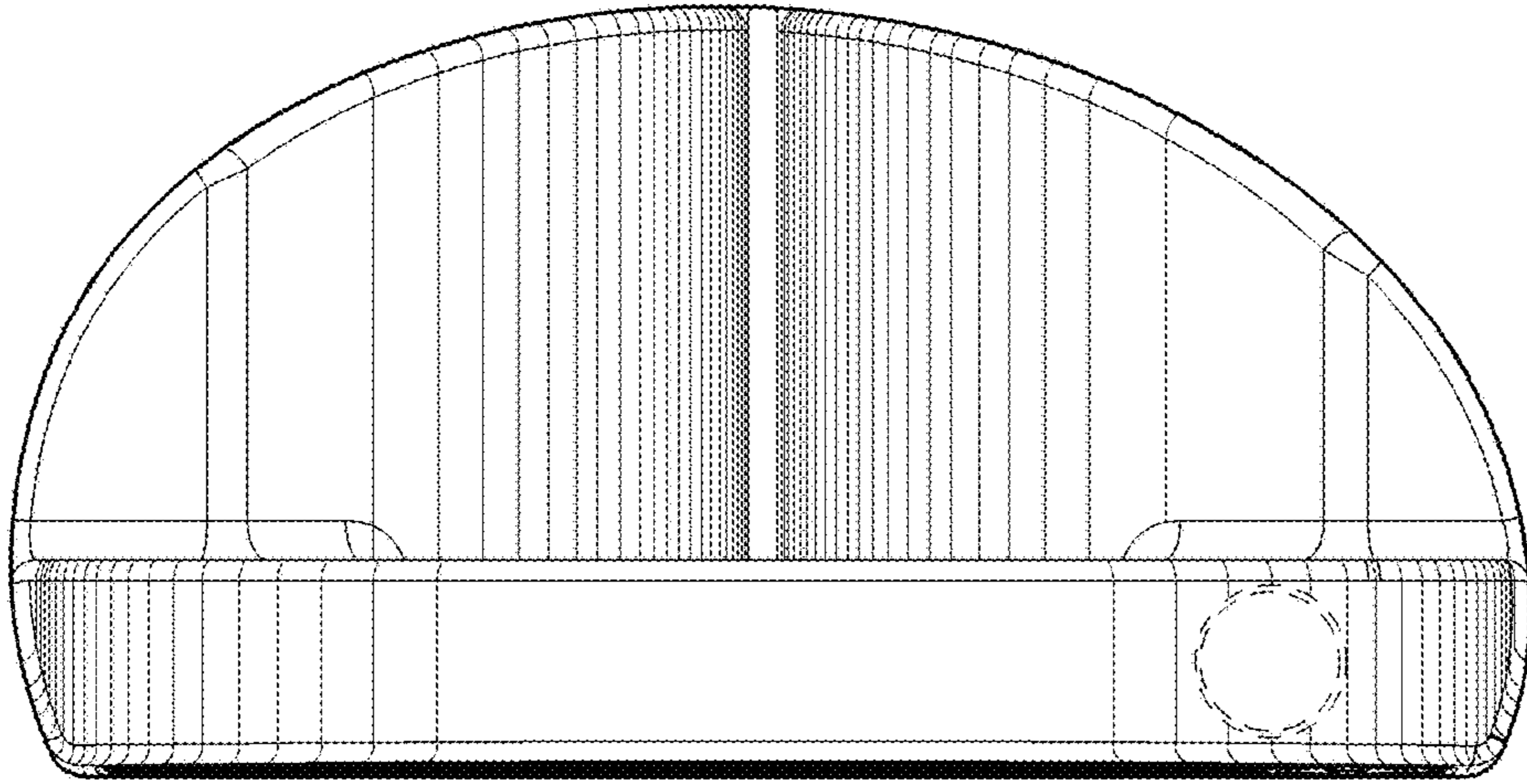


Fig. 13

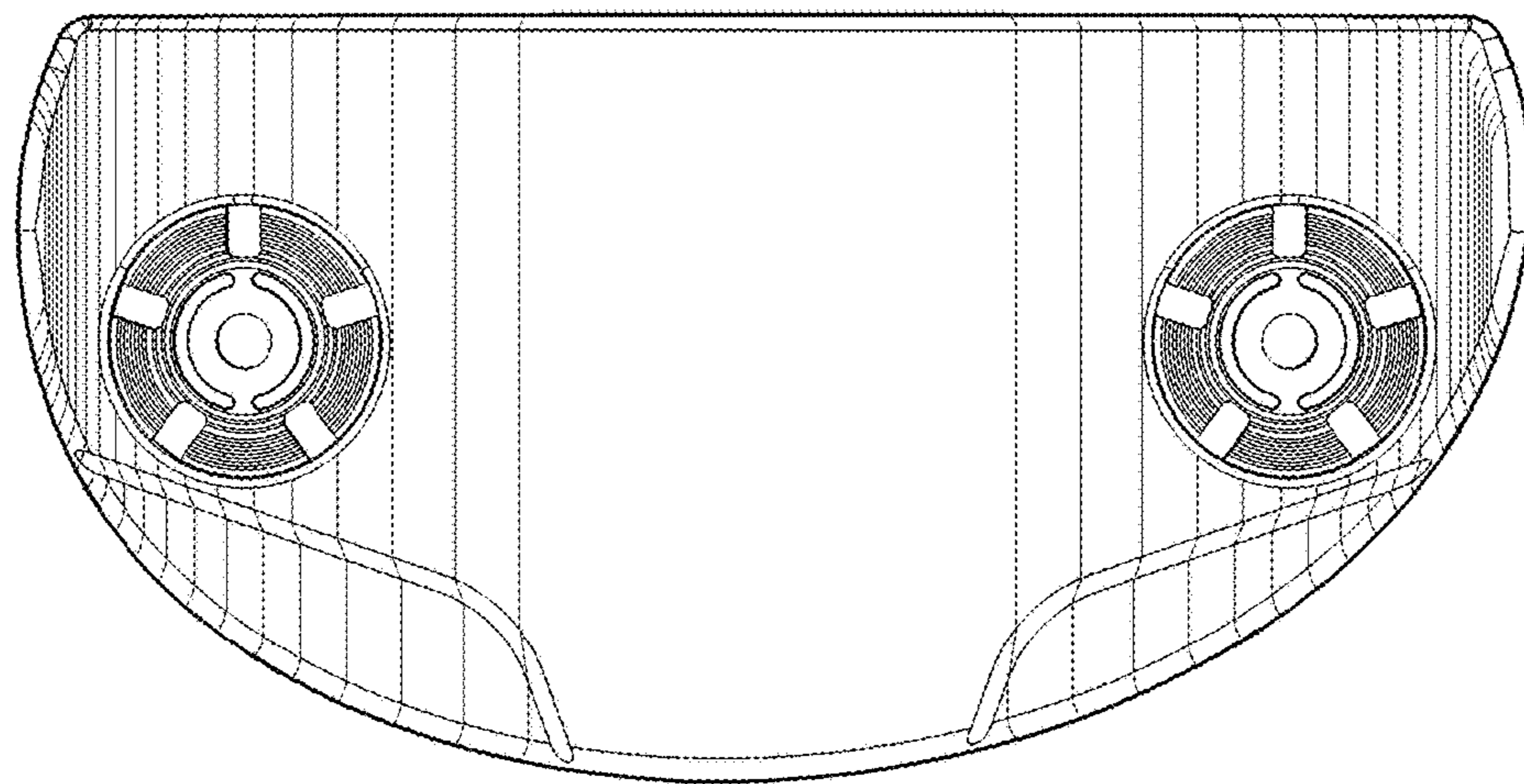


Fig. 14

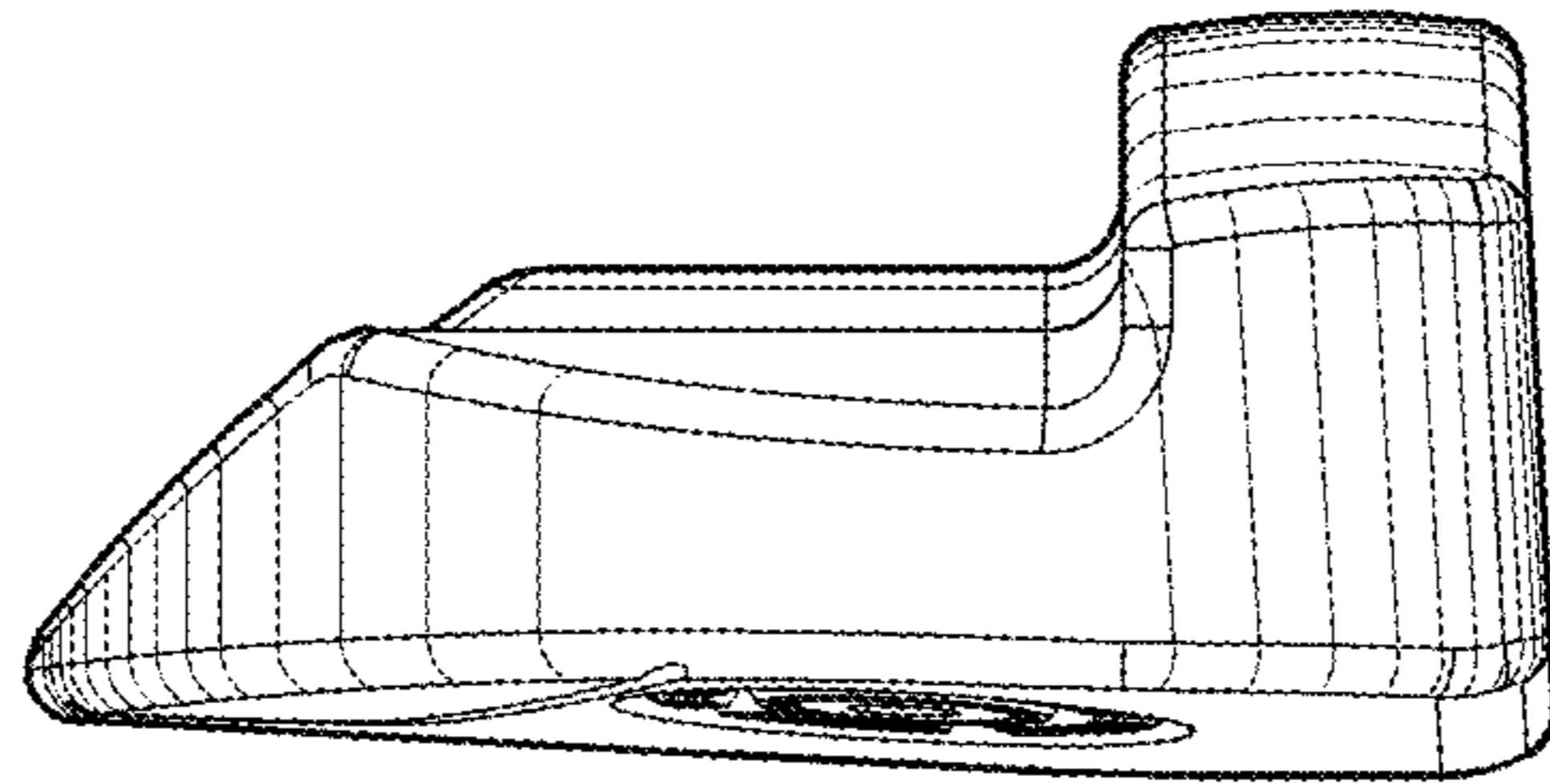


Fig. 15

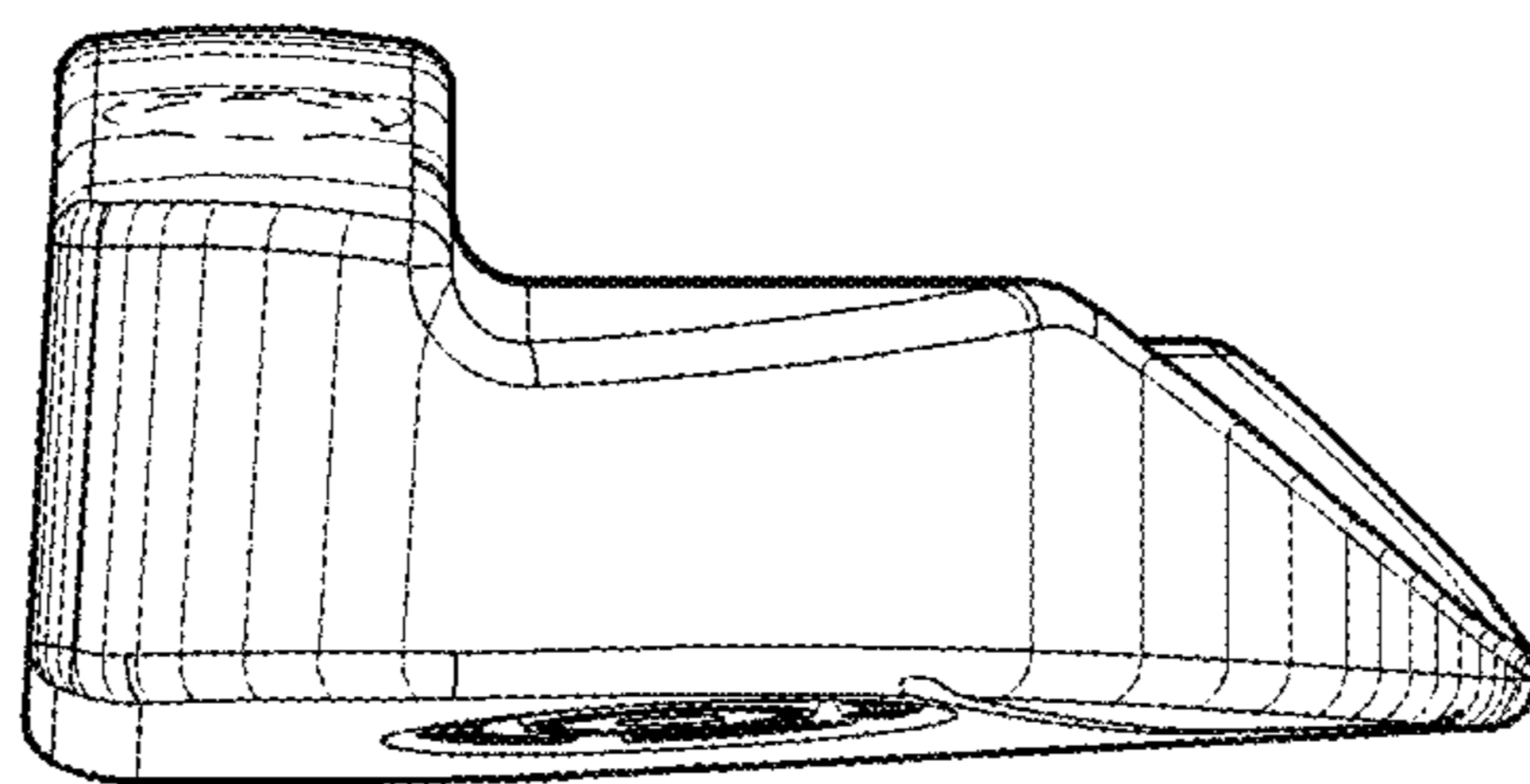


Fig. 16