



US00D832379S

(12) **United States Design Patent** (10) **Patent No.:** **US D832,379 S**  
**Jertson et al.** (45) **Date of Patent:** **\*\* Oct. 30, 2018**

(54) **GOLF CLUB HEAD**

OTHER PUBLICATIONS

(71) Applicant: **KARSTEN MANUFACTURING CORPORATION**, Phoenix, AZ (US)

Odyssey Works Tank Cruiser #1w, <http://www.pgatoursuperstore.com/odyssey-works-tank-cruiser-1w/1000000005200.jsp>, Date Accessed: Dec. 14, 2016.

(72) Inventors: **Martin R. Jertson**, Cave Creek, AZ (US); **Ryan M. Stokke**, Anthem, AZ (US); **Calvin S. Wang**, Chandler, AZ (US); **John A. Solheim**, Phoenix, AZ (US)

(Continued)

*Primary Examiner* — Mitchell I. Siegel

(73) Assignee: **Karsten Manufacturing Corporation**, Phoenix, AZ (US)

(57) **CLAIM**

(\*\*) Term: **15 Years**

The ornamental design for a golf club head, as shown and described.

(21) Appl. No.: **29/610,691**

(22) Filed: **Jul. 14, 2017**

**DESCRIPTION**

(51) **LOC (11) Cl.** ..... **21-02**

(52) **U.S. Cl.**  
USPC ..... **D21/736**

(58) **Field of Classification Search**  
USPC ..... D21/736-746, 759  
CPC ..... A63B 53/00; A63B 53/04; A63B 53/007;  
A63B 53/065; A63B 53/0487; A63B  
60/00; A63B 60/46

See application file for complete search history.

FIG. 1 is a front perspective view of a golf club head; FIG. 2 is a rear perspective view of the golf club head of FIG. 1; FIG. 3 is a front view of the golf club head of FIG. 1; FIG. 4 is a rear view of the golf club head of FIG. 1; FIG. 5 is a top view of the golf club head of FIG. 1; FIG. 6 is a bottom view of the golf club head of FIG. 1; FIG. 7 is a heel view of the golf club head of FIG. 1; FIG. 8 is a toe view of the golf club head of FIG. 1; FIG. 9 is a front perspective view of a second embodiment of the golf club head; FIG. 10 is a rear perspective view of the golf club head of FIG. 9; FIG. 11 is a front view of the golf club head of FIG. 9; FIG. 12 is a rear view of the golf club head of FIG. 9; FIG. 13 is a top view of the golf club head of FIG. 9; FIG. 14 is a bottom view of the golf club head of FIG. 9; FIG. 15 is a heel view of the golf club head of FIG. 9; and, FIG. 16 is a toe view of the golf club head of FIG. 9.

The broken line showing is included for the purpose of illustrating unclaimed subject matter and forms no part of the claimed design.

(56) **References Cited**

U.S. PATENT DOCUMENTS

D207,227 S \* 3/1967 Solheim ..... D21/739  
3,652,094 A 3/1972 Glover  
3,884,477 A 5/1975 Bianco  
D239,951 S \* 5/1976 Carrier ..... D21/742  
4,030,766 A 6/1977 Derr  
4,869,507 A 9/1989 Sahn

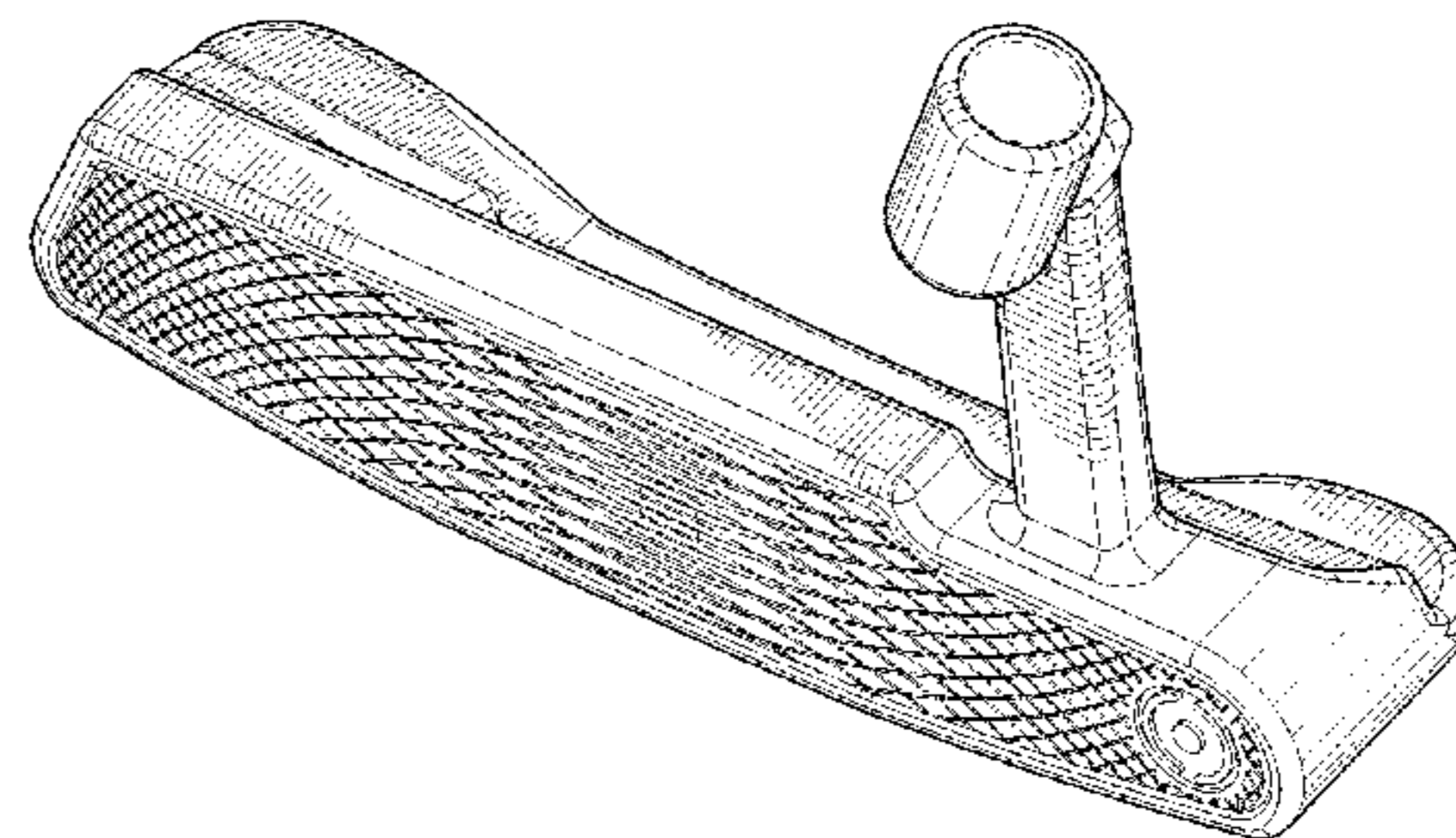
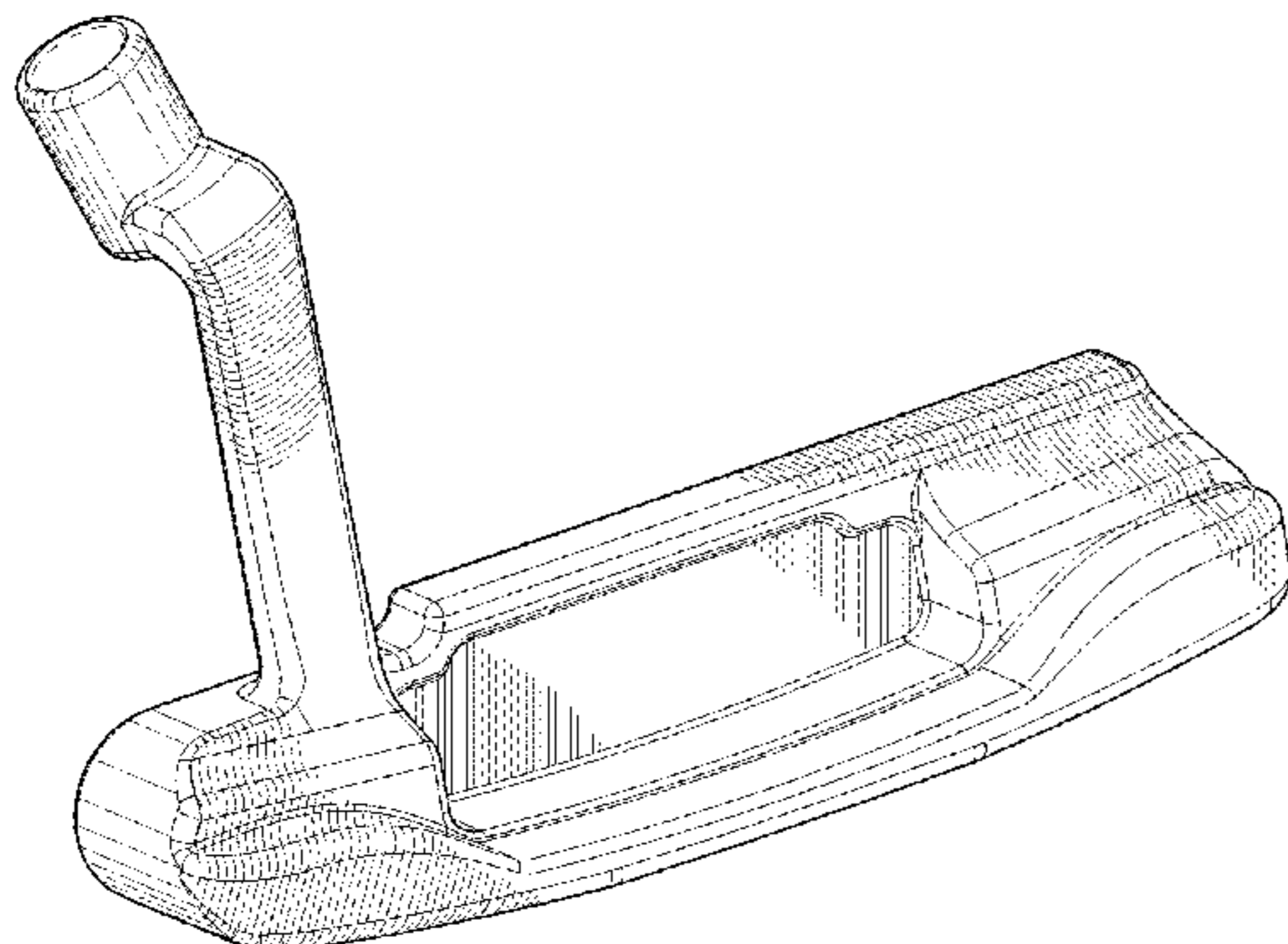
(Continued)

FOREIGN PATENT DOCUMENTS

CN 2920325 Y 7/2007  
CN 103252065 A 8/2013

(Continued)

**1 Claim, 8 Drawing Sheets**



(56)

References Cited

U.S. PATENT DOCUMENTS

D316,129 S 4/1991 Bryson  
 5,275,412 A 1/1994 Innes  
 5,685,784 A 11/1997 Butler  
 D389,207 S \* 1/1998 Cameron ..... D21/742  
 5,746,664 A 5/1998 Reynolds, Jr.  
 D420,079 S 2/2000 Frazetta  
 6,048,275 A 4/2000 Gedeon  
 D426,599 S \* 6/2000 Morgan ..... D21/736  
 D426,600 S \* 6/2000 Valentine ..... D21/736  
 6,159,108 A 12/2000 De La Pena  
 D443,906 S \* 6/2001 Hettinger ..... D21/743  
 D449,085 S \* 10/2001 Breier ..... D21/744  
 6,379,259 B1 4/2002 Opie  
 D485,320 S \* 1/2004 Breier ..... D21/736  
 D488,526 S 4/2004 Souza  
 D498,276 S \* 11/2004 Schweigert ..... D21/743  
 D500,109 S 12/2004 Solheim  
 D500,110 S 12/2004 Solheim  
 6,837,801 B1 1/2005 Souza  
 6,878,071 B1 4/2005 Schweiger  
 6,893,355 B2 5/2005 Souza  
 6,902,496 B2 6/2005 Solheim  
 D507,612 S 7/2005 Souza  
 6,926,615 B1 8/2005 Souza  
 6,960,140 B2 11/2005 Solheim  
 6,966,845 B2 11/2005 Solheim  
 D520,584 S 5/2006 Karlsen  
 D521,580 S \* 5/2006 Burrows ..... D21/736  
 D521,582 S 5/2006 Souza  
 7,052,411 B2 5/2006 Solheim  
 D522,598 S 6/2006 Solheim  
 7,077,758 B2 7/2006 Rohrer  
 7,086,957 B2 8/2006 Solheim  
 D527,777 S 9/2006 Solheim  
 D529,108 S 9/2006 Stites  
 D532,847 S 11/2006 Rollinson  
 D533,243 S 12/2006 Fife  
 D535,712 S \* 1/2007 Toroussian ..... D21/749  
 7,235,021 B2 6/2007 Solheim  
 D548,294 S \* 8/2007 Nguyen ..... D21/736  
 D548,295 S 8/2007 Jertson  
 7,255,650 B2 8/2007 Bryant  
 D552,196 S \* 10/2007 Hueber ..... D21/742  
 D552,197 S 10/2007 Wells  
 D562,921 S \* 2/2008 Nguyen ..... D21/742  
 D565,137 S 3/2008 Oldknow  
 D569,462 S 5/2008 Rollinson  
 7,371,185 B1 5/2008 Rohrer  
 D581,473 S 11/2008 Thomas  
 D583,003 S 12/2008 Solheim  
 D583,887 S 12/2008 Cameron  
 D587,325 S 2/2009 Solheim  
 D590,462 S \* 4/2009 Hettinger ..... D21/743  
 D595,372 S 6/2009 Rollinson  
 D599,423 S 9/2009 Serrano  
 D600,760 S 9/2009 Serrano  
 D600,761 S 9/2009 Solheim  
 D600,762 S 9/2009 Serrano  
 7,601,076 B2 10/2009 Rollinson  
 D607,950 S 1/2010 Souza  
 D621,458 S 8/2010 Serrano  
 D621,460 S 8/2010 Serrano

D621,461 S 8/2010 Serrano  
 D621,462 S 8/2010 Serrano  
 D621,891 S 8/2010 Serrano  
 7,803,066 B2 9/2010 Solheim  
 7,815,515 B1 10/2010 Hunt  
 D629,856 S \* 12/2010 Parkinson ..... D21/743  
 7,927,226 B1 \* 4/2011 Twitty ..... A63B 53/0487  
 473/251  
 D638,891 S 5/2011 Nicolette  
 D638,892 S \* 5/2011 Hettinger ..... D21/743  
 D640,341 S 6/2011 Foster et al.  
 D643,080 S 8/2011 Serrano  
 D643,486 S 8/2011 Nicolette  
 D643,487 S 8/2011 Serrano  
 D643,893 S \* 8/2011 Rollinson ..... D21/742  
 D648,407 S \* 11/2011 Teramoto ..... D21/743  
 D650,453 S \* 12/2011 Rollinson ..... D21/736  
 D650,456 S \* 12/2011 Tang ..... D21/743  
 8,100,779 B2 1/2012 Solheim  
 D653,718 S 2/2012 Stokke  
 8,109,838 B2 2/2012 Solheim  
 8,128,505 B2 3/2012 Tryner et al.  
 D664,617 S 7/2012 Serrano  
 D691,225 S \* 10/2013 Hilton ..... D21/736  
 D702,782 S 4/2014 Wempe  
 9,033,812 B2 \* 5/2015 Solheim ..... A63B 53/007  
 473/238  
 D733,817 S \* 7/2015 Jorgensen ..... D21/736  
 D769,383 S \* 10/2016 Abbott ..... D21/743  
 9,649,543 B2 \* 5/2017 Solheim ..... A63B 53/0487  
 D796,597 S \* 9/2017 Serrano ..... D21/736  
 9,925,434 B2 \* 3/2018 Solheim ..... A63B 53/0487  
 D817,424 S \* 5/2018 Toulon ..... D21/759  
 D817,425 S \* 5/2018 Toulon ..... D21/759  
 D818,551 S \* 5/2018 Toulon ..... D21/759  
 2003/0083149 A1 5/2003 Scarpa et al.  
 2005/0170904 A1 8/2005 Smeeth  
 2006/0089206 A1 4/2006 Lo  
 2006/0094533 A1 5/2006 Warren  
 2006/0166755 A1 7/2006 Brown  
 2007/0010348 A1 1/2007 Jung  
 2007/0191135 A1 8/2007 Nilsson  
 2008/0045353 A1 2/2008 Lo et al.  
 2008/0096686 A1 4/2008 Bikhu  
 2009/0270198 A1 10/2009 Solheim et al.  
 2009/0305806 A1 12/2009 Campadore et al.  
 2009/0305807 A1 12/2009 Solheim et al.  
 2010/0048321 A1 2/2010 Beach et al.  
 2010/0222155 A1 9/2010 Jones et al.  
 2010/0227704 A1 9/2010 Souza  
 2012/0115628 A1 5/2012 Woods  
 2014/0179459 A1 6/2014 Schartiger et al.  
 2015/0360099 A1 12/2015 Ban et al.

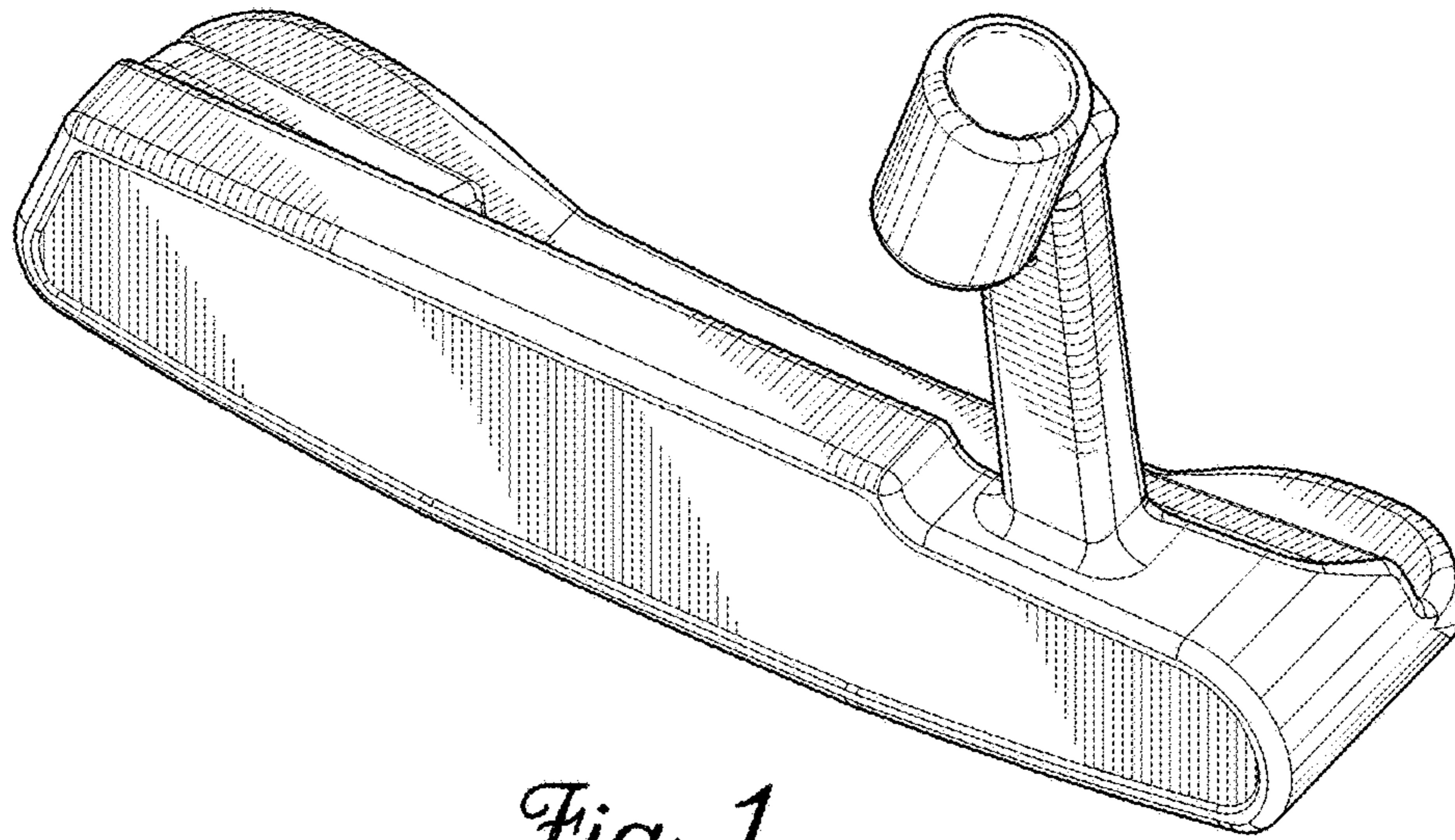
FOREIGN PATENT DOCUMENTS

GB 2133295 A 7/1984  
 JP 2001137400 A 5/2001

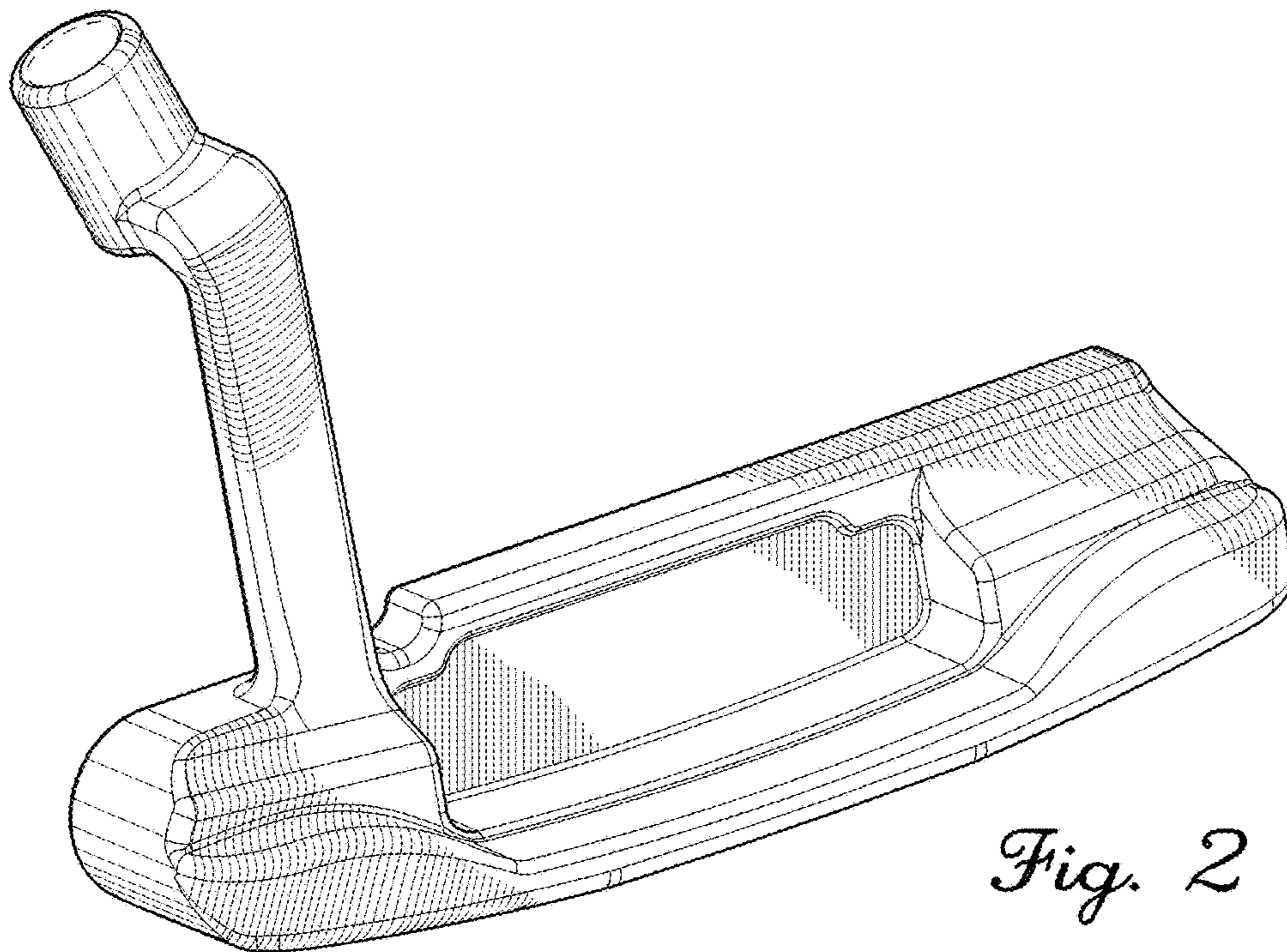
OTHER PUBLICATIONS

Cx1, <http://cureputters.com/products/cx1>, Date Accessed: Dec. 13, 2016.

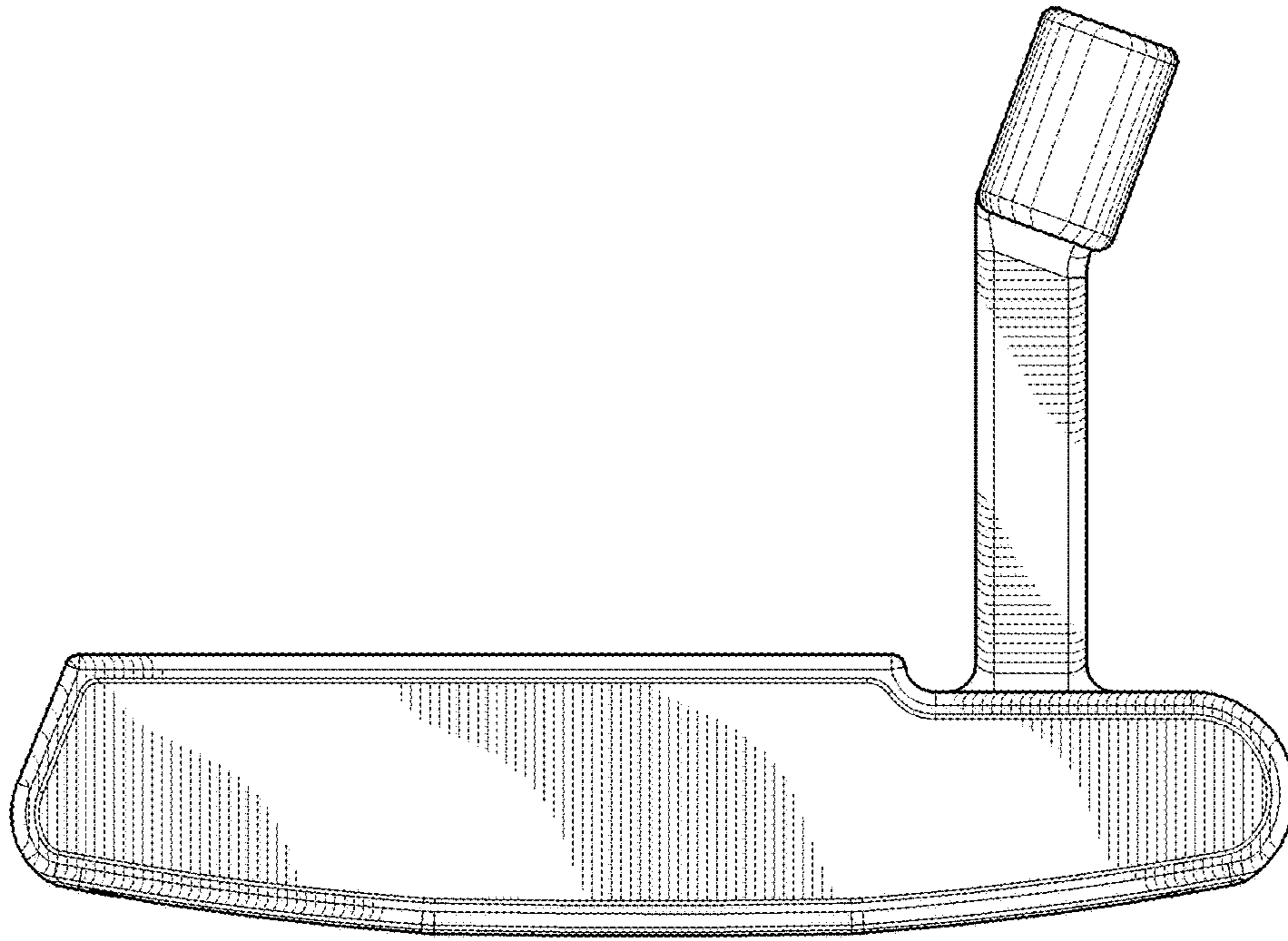
\* cited by examiner



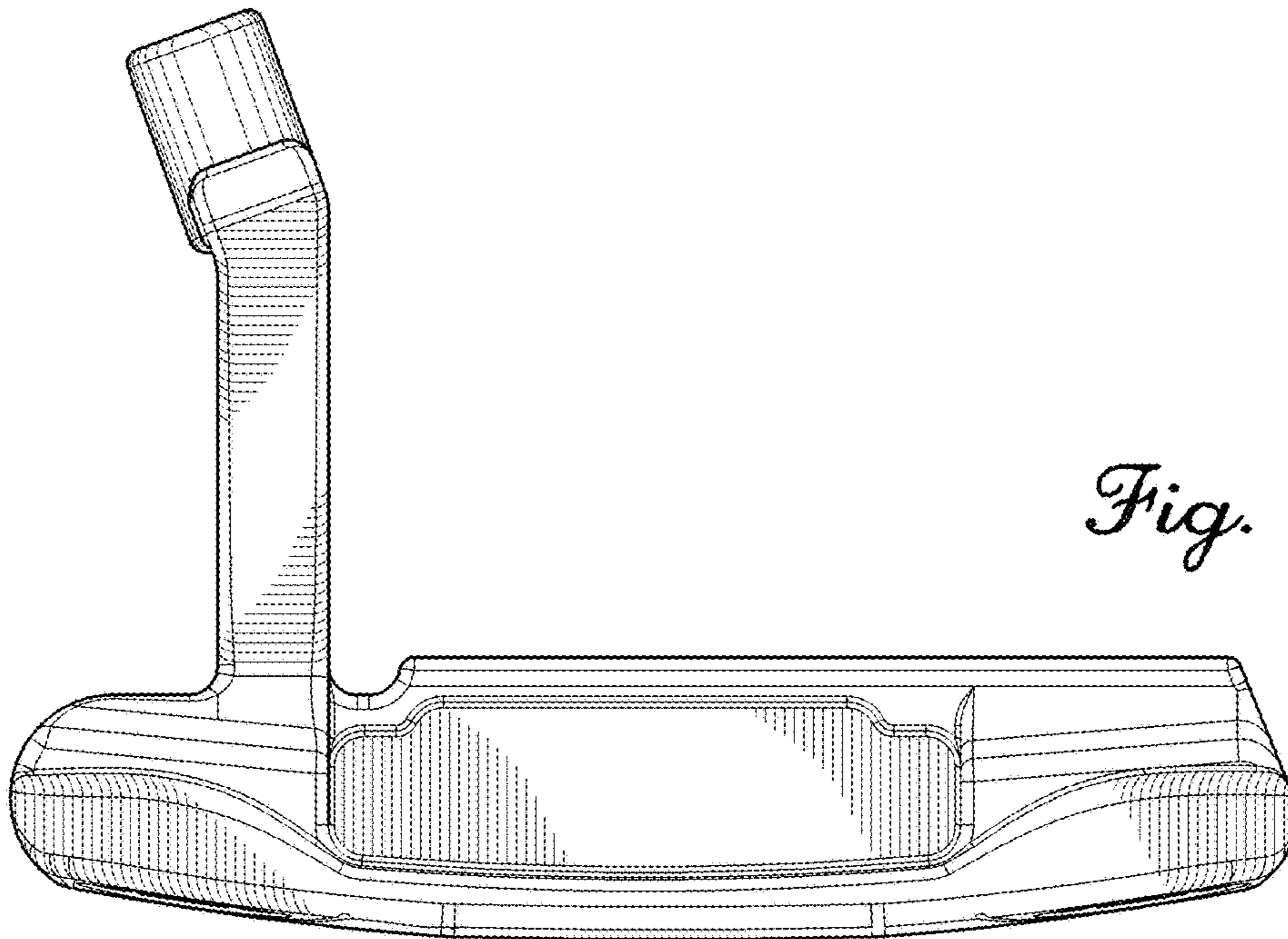
*Fig. 1*



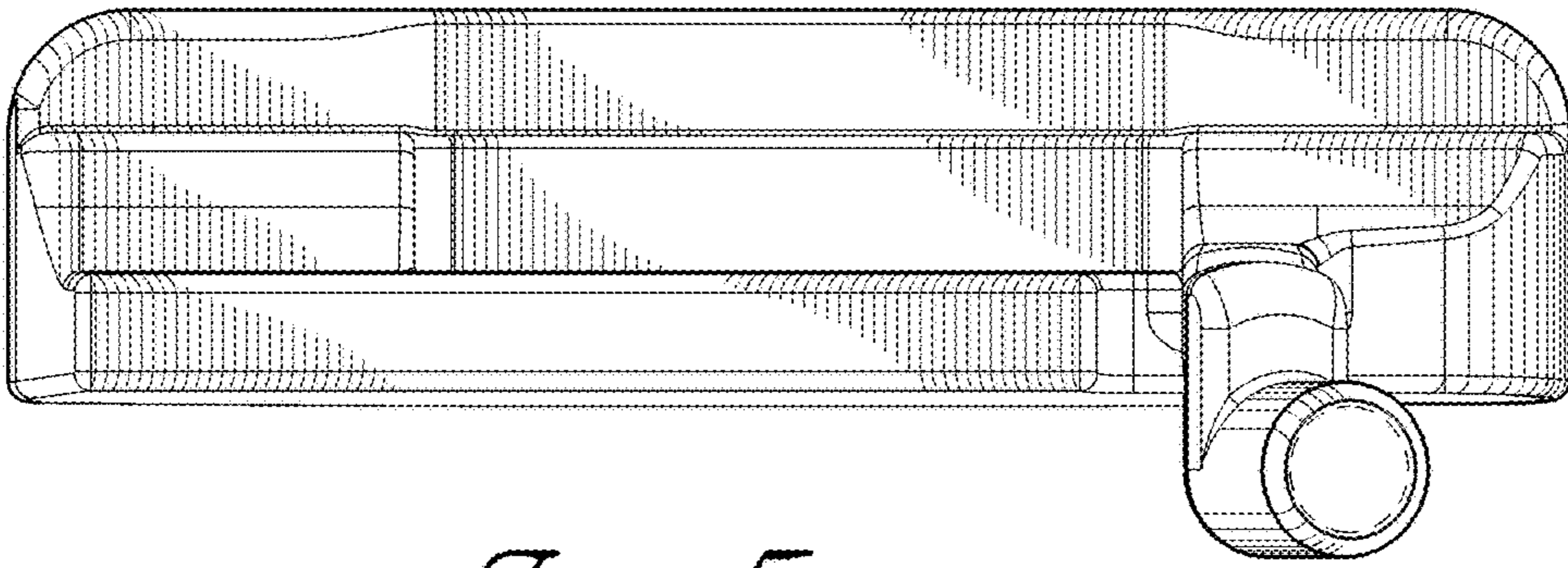
*Fig. 2*



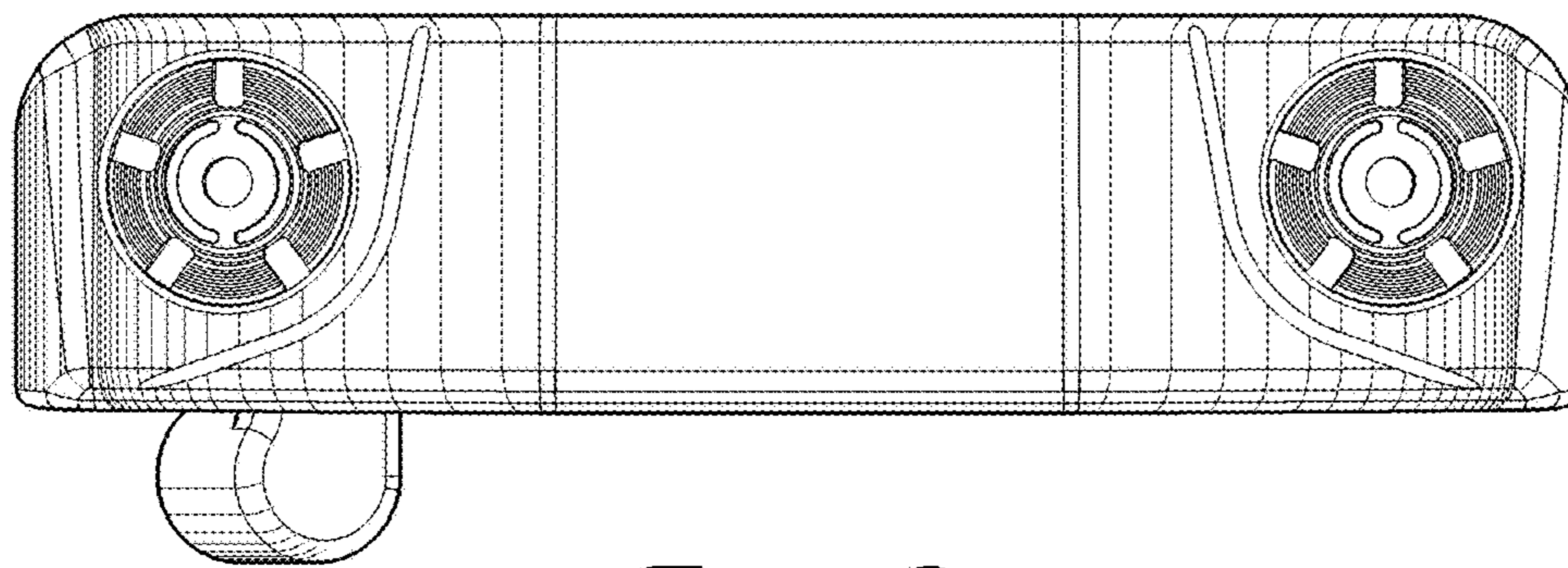
*Fig. 3*



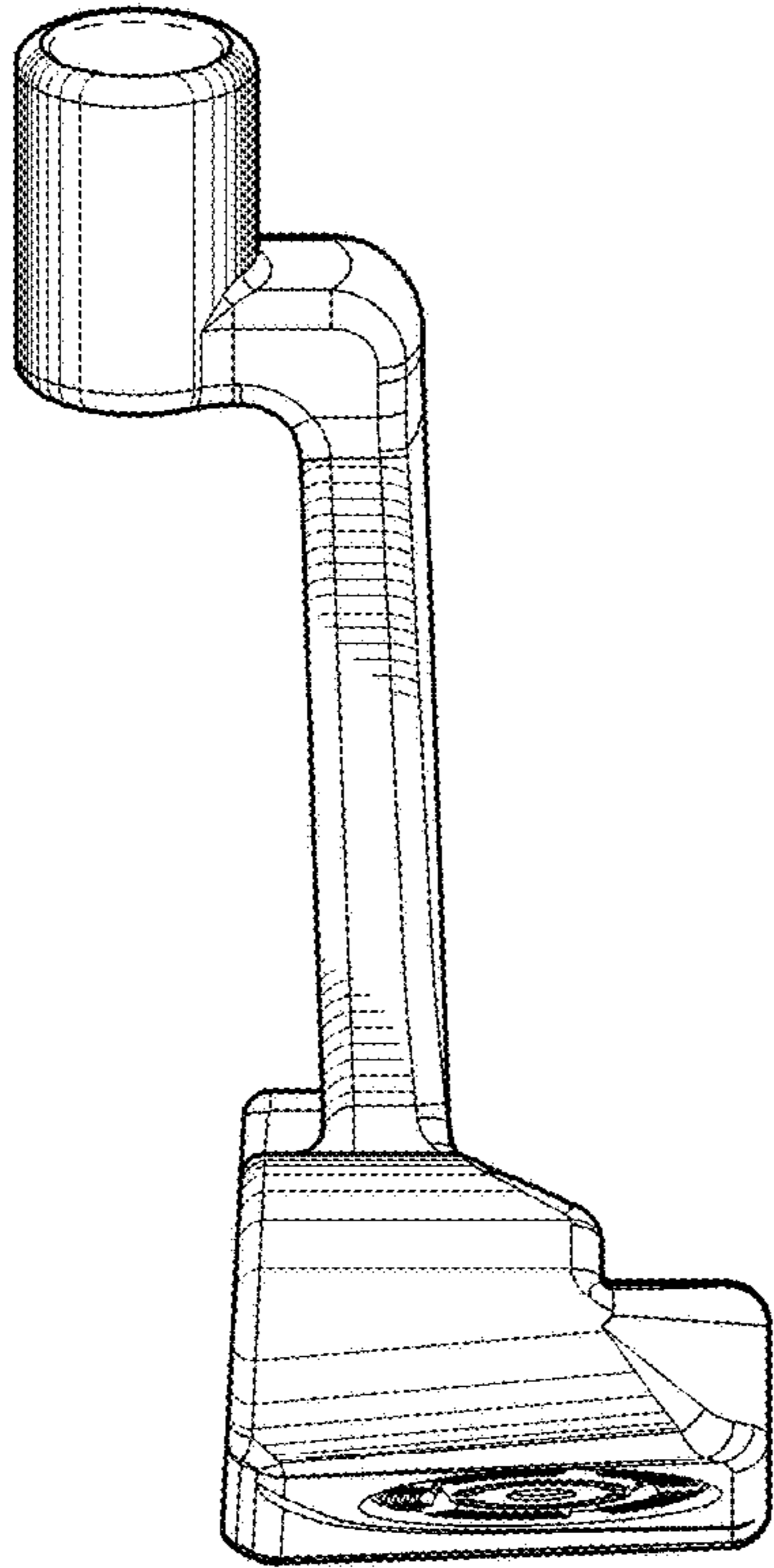
*Fig. 4*



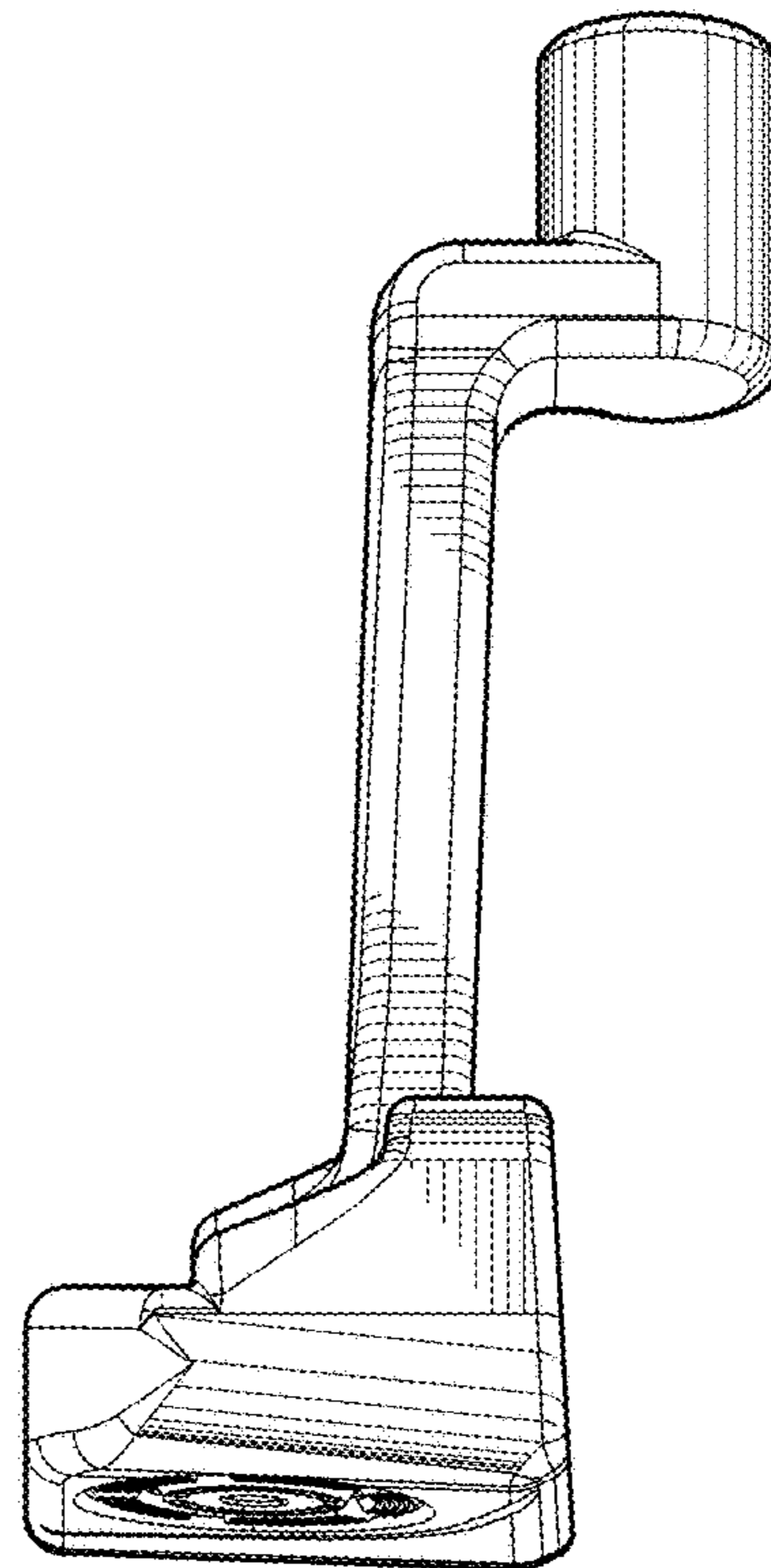
*Fig. 5*



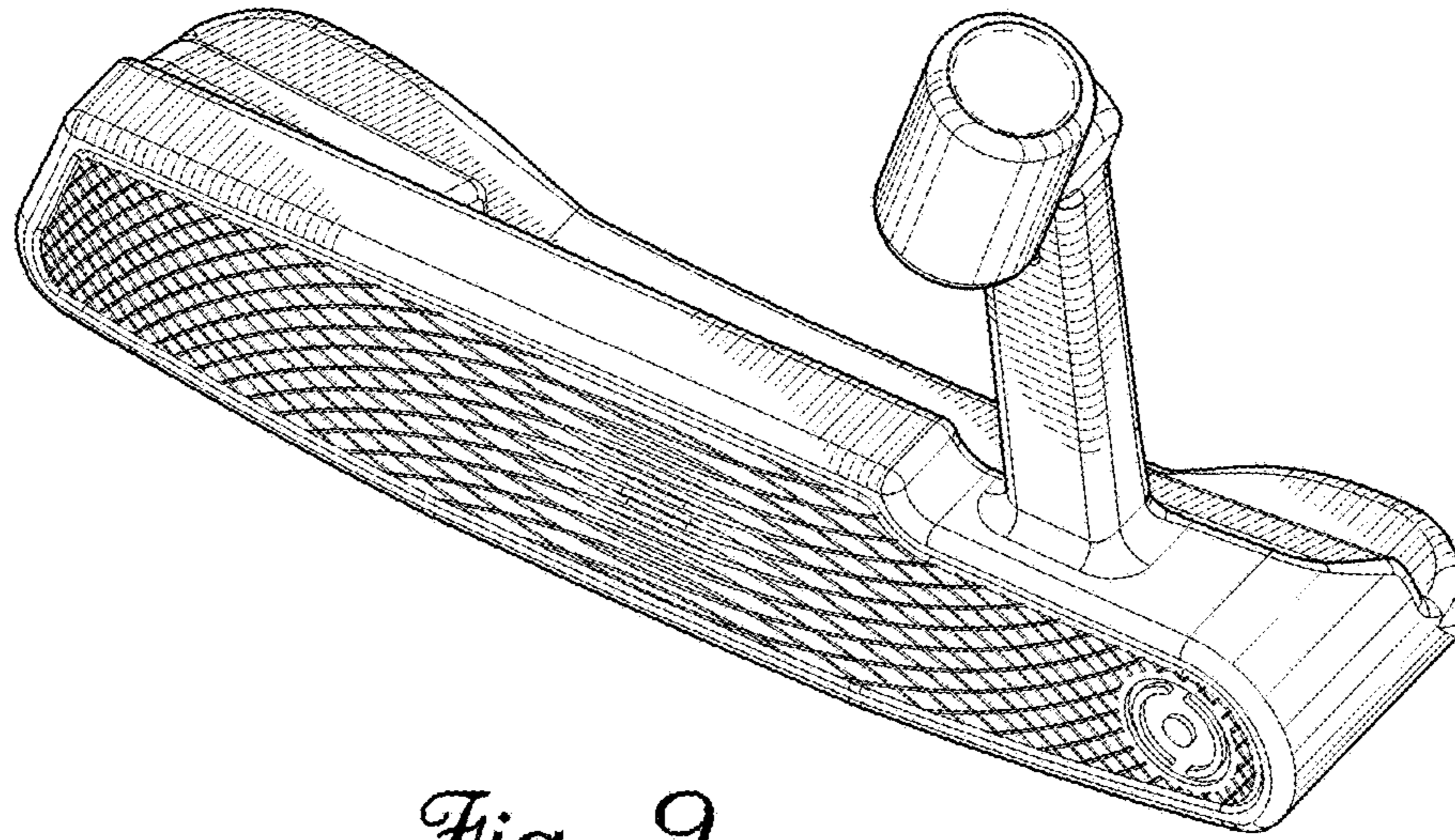
*Fig. 6*



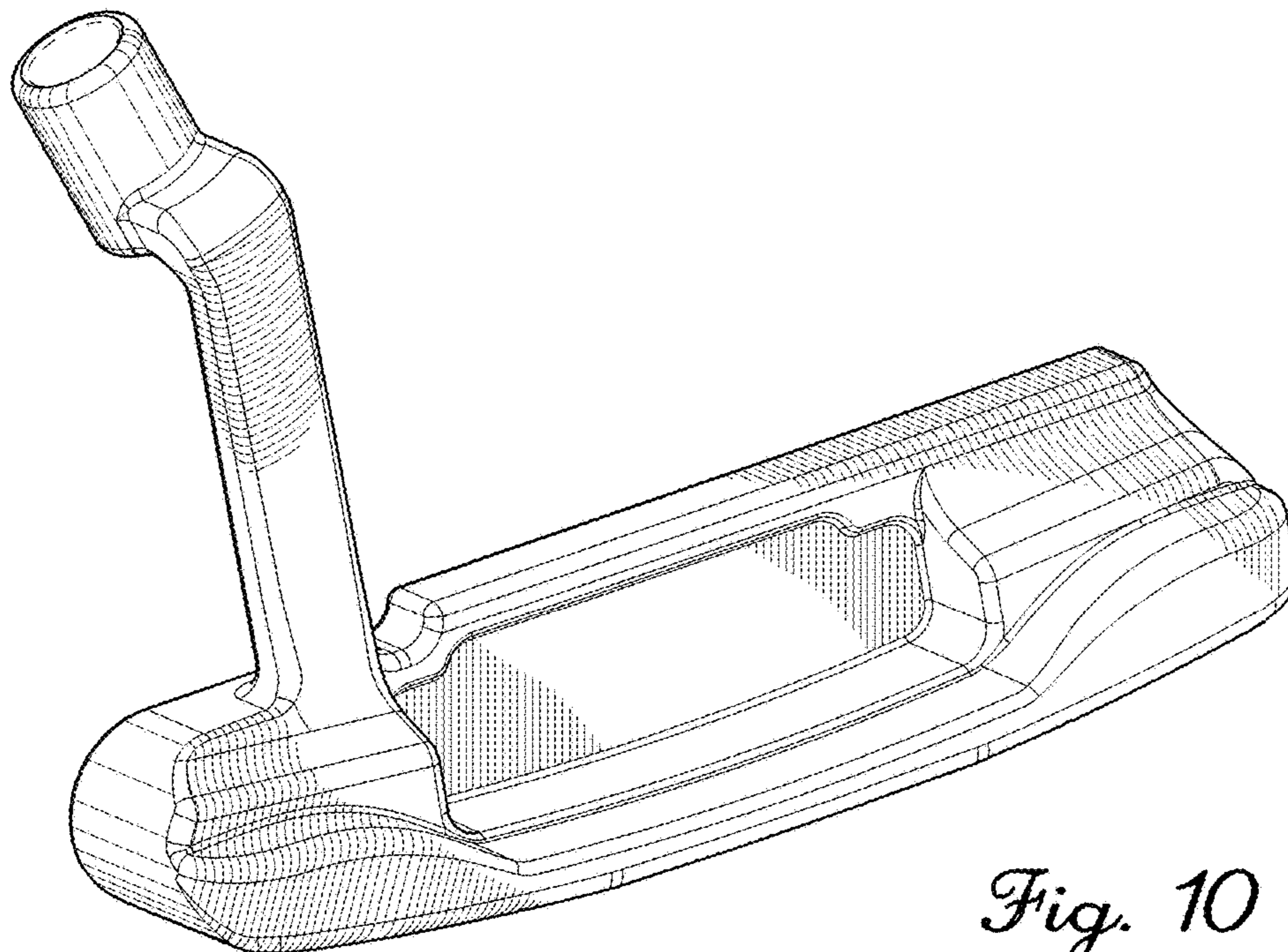
*Fig. 7*



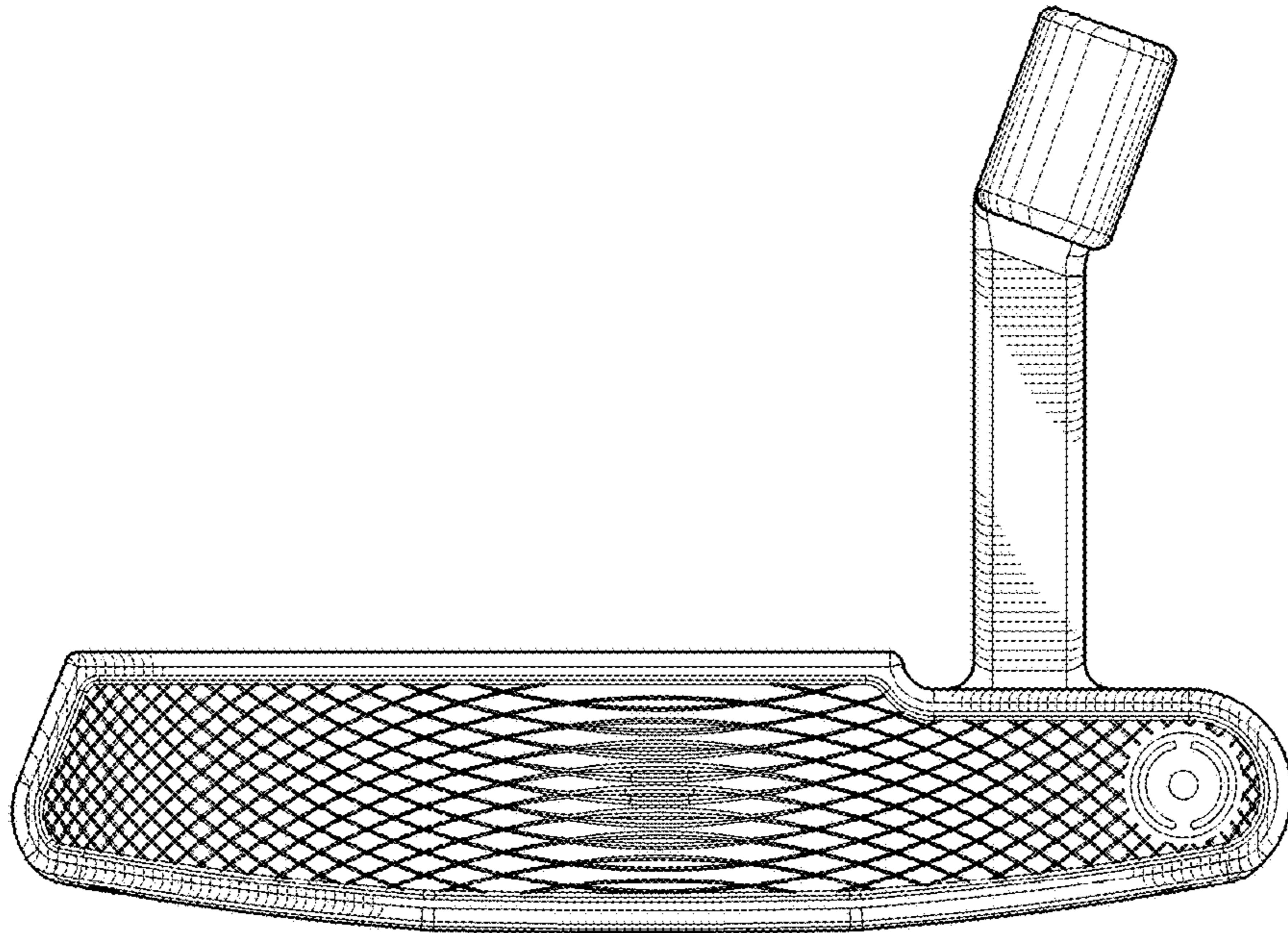
*Fig. 8*



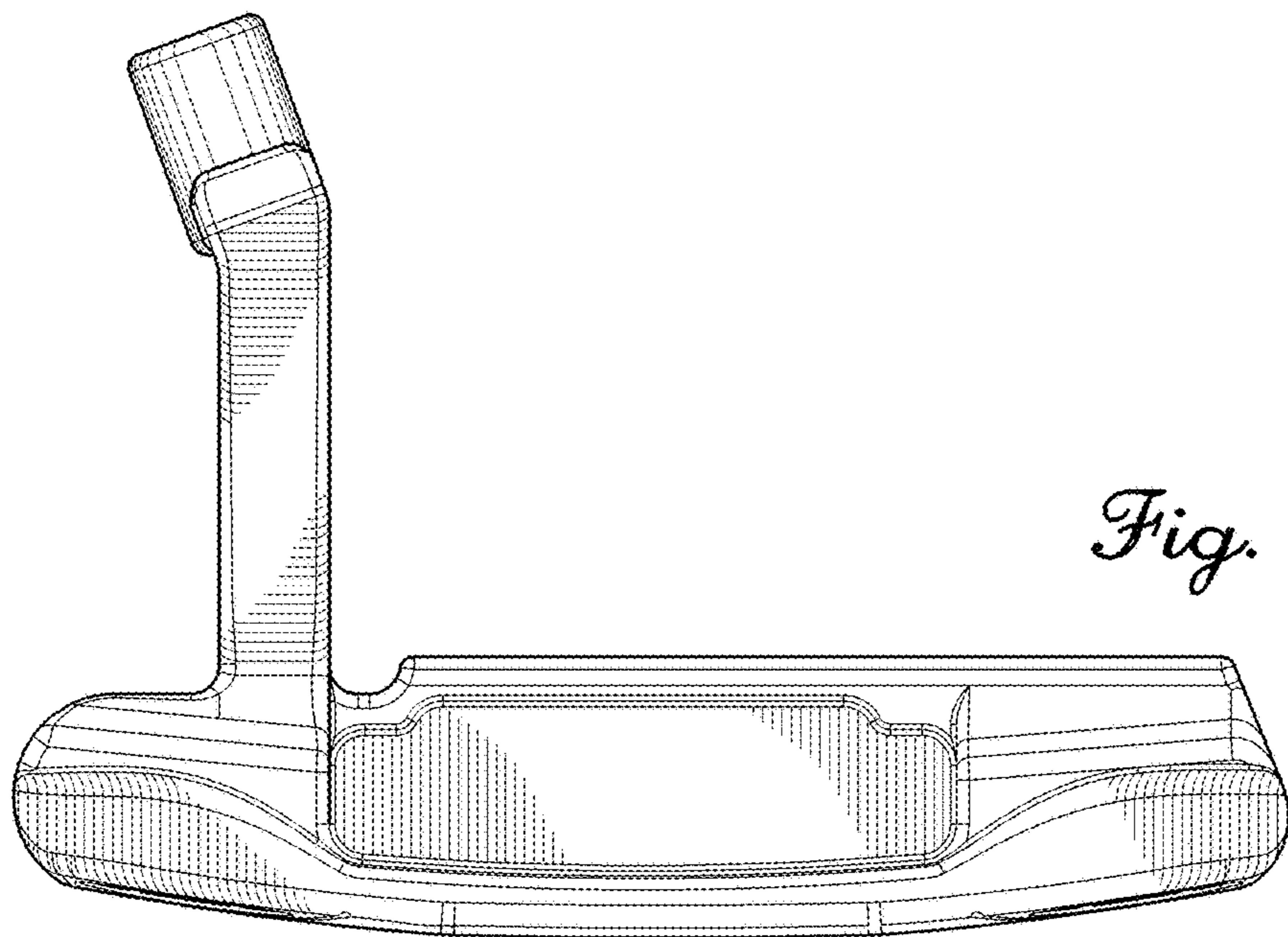
*Fig. 9*



*Fig. 10*

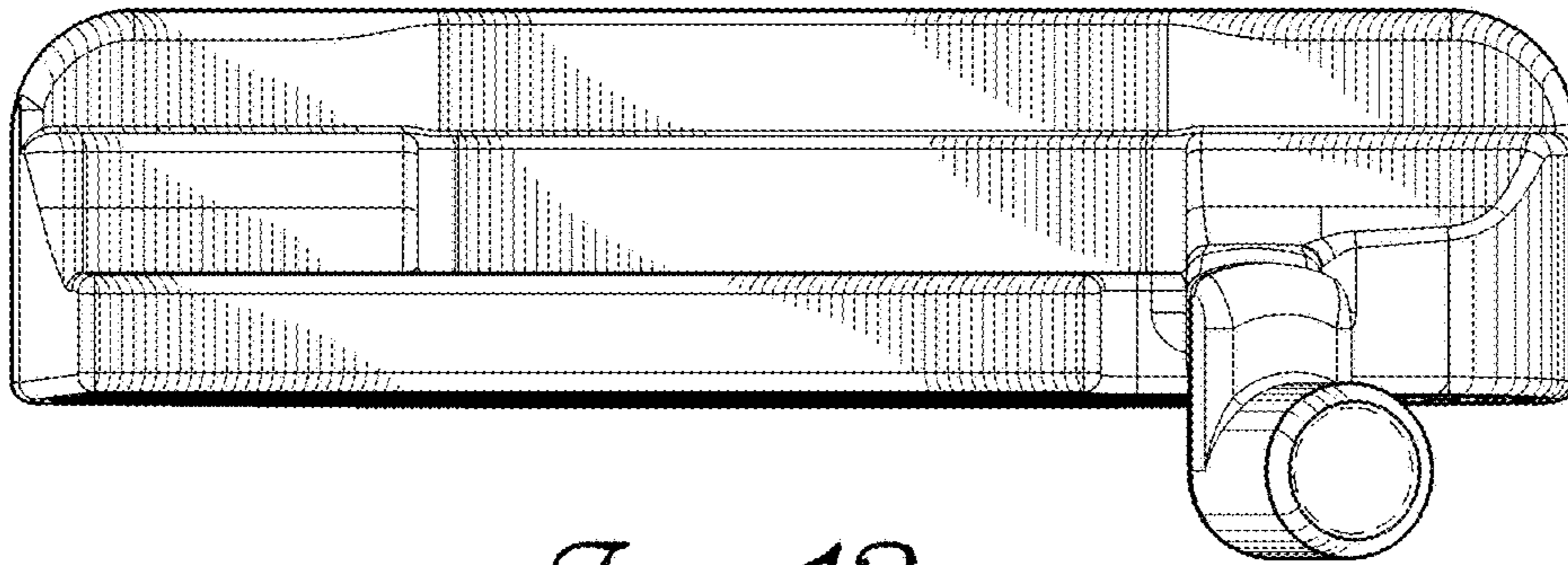


*Fig. 11*

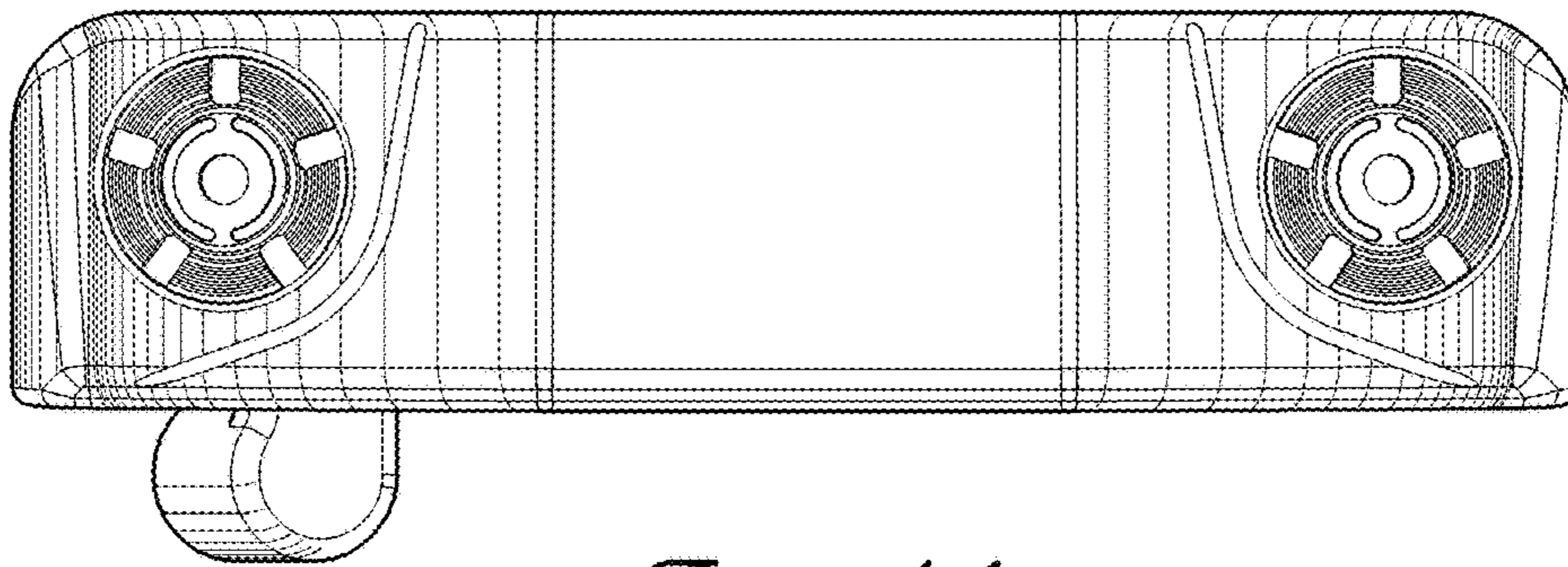


*Fig. 12*

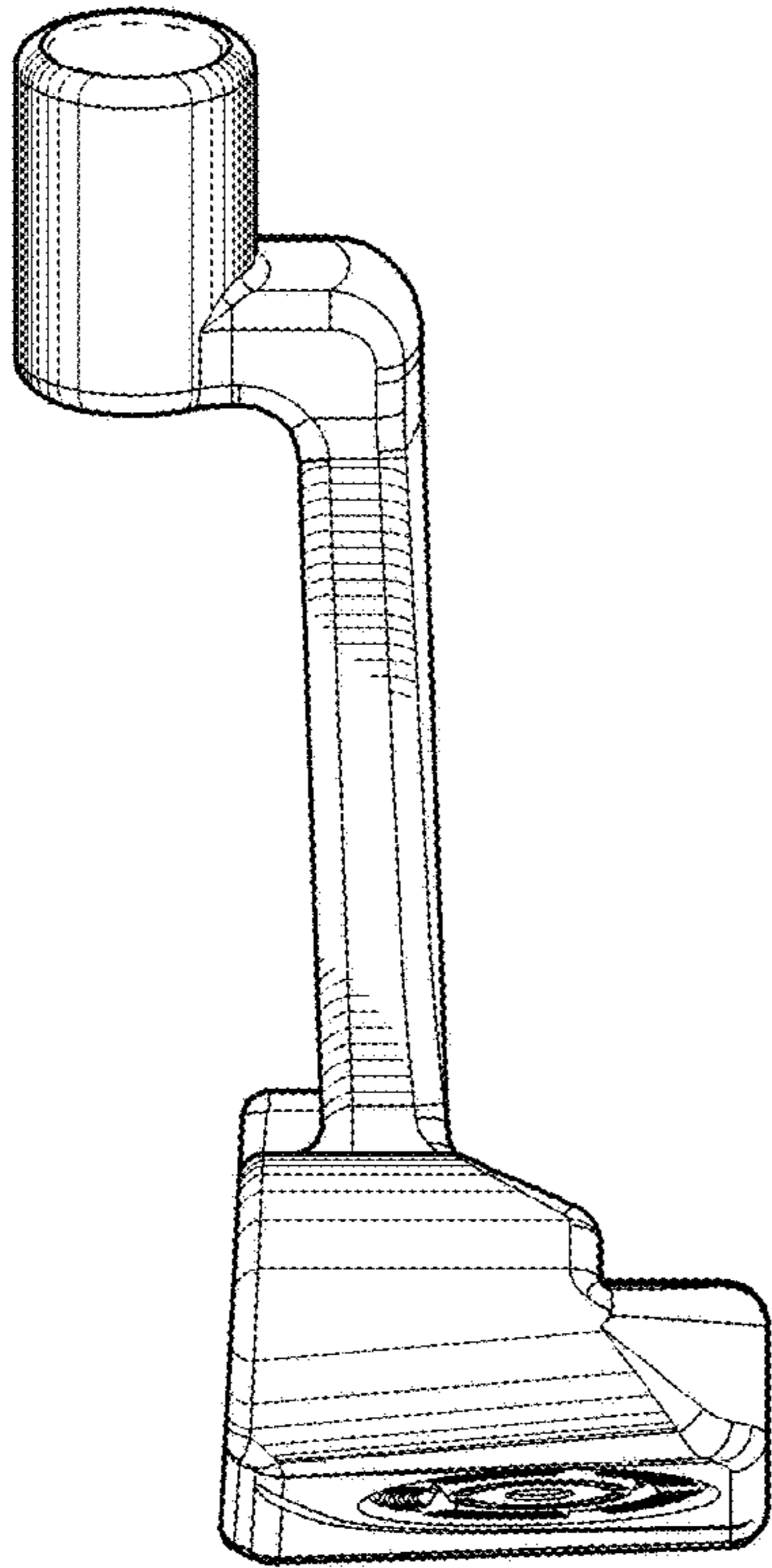




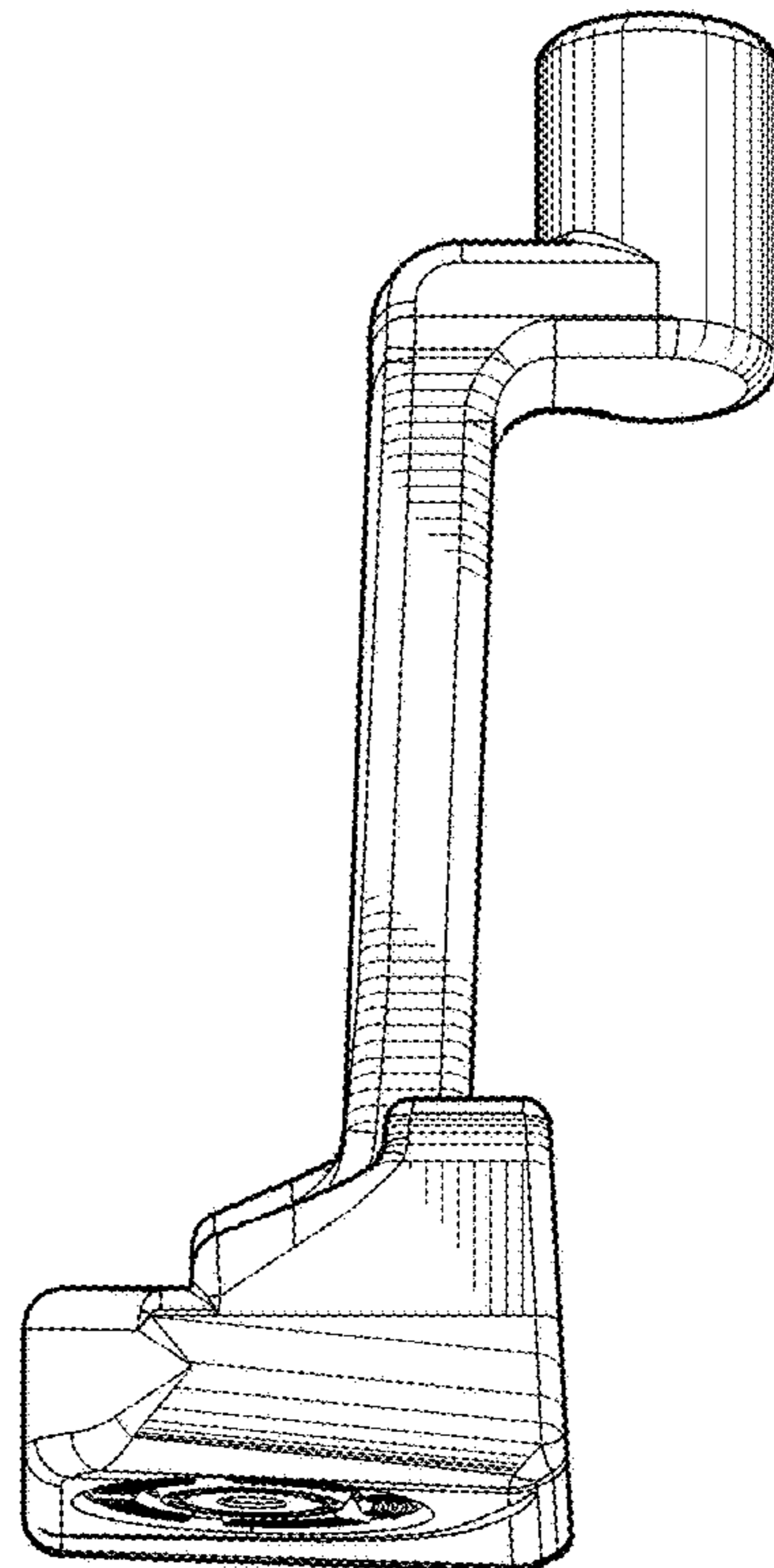
*Fig. 13*



*Fig. 14*



*Fig. 15*



*Fig. 16*