



US00D832373S

(12) **United States Design Patent**
Cummings et al.

(10) **Patent No.:** **US D832,373 S**

(45) **Date of Patent:** **** Oct. 30, 2018**

- (54) **POSABLE TOY GORILLA**
- (71) Applicant: **KMA Concepts Limited**, Tsim Sha Tsui, Kowloon (HK)
- (72) Inventors: **Peter John Cummings**, Kowloon (HK); **Chun Kit Ng**, Kowloon (HK)
- (73) Assignee: **KMA Concepts Limited**, North Point (HK)
- (**) Term: **15 Years**
- (21) Appl. No.: **29/621,404**
- (22) Filed: **Oct. 6, 2017**
- (51) **LOC (11) Cl.** **21-01**
- (52) **U.S. Cl.**
USPC **D21/596; D21/578**
- (58) **Field of Classification Search**
USPC D6/598; D11/158, 162; D21/576–596, D21/621; 446/368–369, 376, 428, 487; 180/8.6; D30/160
CPC ... A63H 3/00; A63H 3/02; A63H 3/04; A63H 3/16; A63H 3/28; A63H 33/00; A63H 7/06; A63H 11/00; A63H 11/10; A63H 11/20; A63H 13/00
See application file for complete search history.

- D317,797 S * 6/1991 Pedersen D21/596
- D407,940 S * 4/1999 Bear A63H 11/18
- D420,064 S * 2/2000 Poirier D21/578
- D426,594 S * 6/2000 Chae D21/596
- D474,514 S * 5/2003 Price D21/621
- D536,044 S * 1/2007 Ban D21/578
- 7,862,398 B2 * 1/2011 Yoneda A63H 11/18
446/330
- D639,354 S * 6/2011 Weeks D21/579
- D760,851 S * 7/2016 Cummings D21/578
- D778,372 S * 2/2017 Cummings D21/578

* cited by examiner

Primary Examiner — Sandra L Morris

(74) *Attorney, Agent, or Firm* — LaMorte & Associates P.C.

(57) **CLAIM**

The ornamental design for a posable toy gorilla, as shown and described.

DESCRIPTION

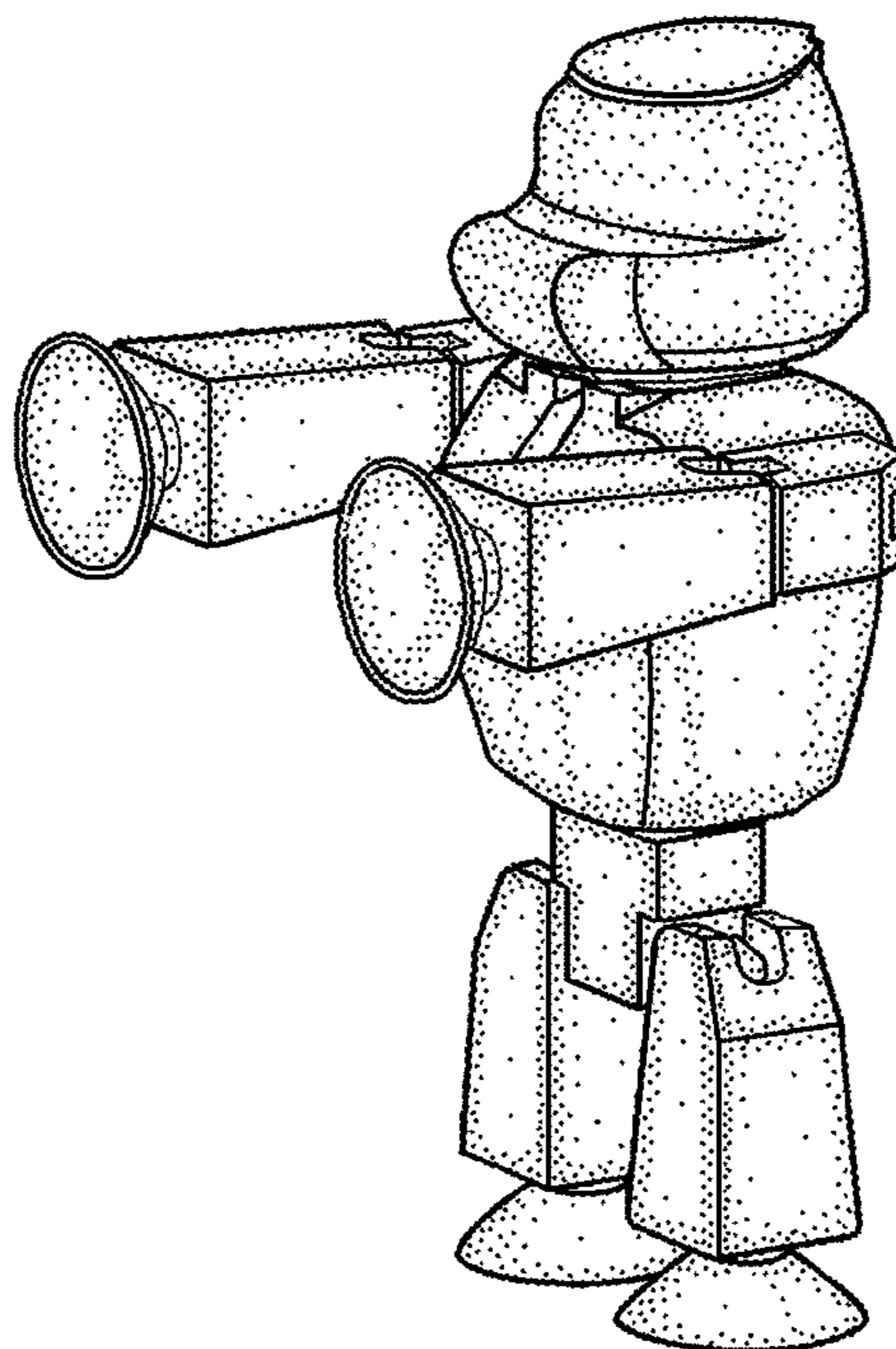
FIG. 1 is a perspective view of a posable toy gorilla; FIG. 2 is a front view thereof; FIG. 3 is a rear view thereof; FIG. 4 is a right side view thereof; FIG. 5 is a left side view thereof; FIG. 6 is a top view thereof; and, FIG. 7 is a bottom view thereof.

1 Claim, 7 Drawing Sheets

(56) **References Cited**

U.S. PATENT DOCUMENTS

- D233,896 S * 12/1974 Kort D21/596
- D315,000 S * 2/1991 Stephensen D21/596



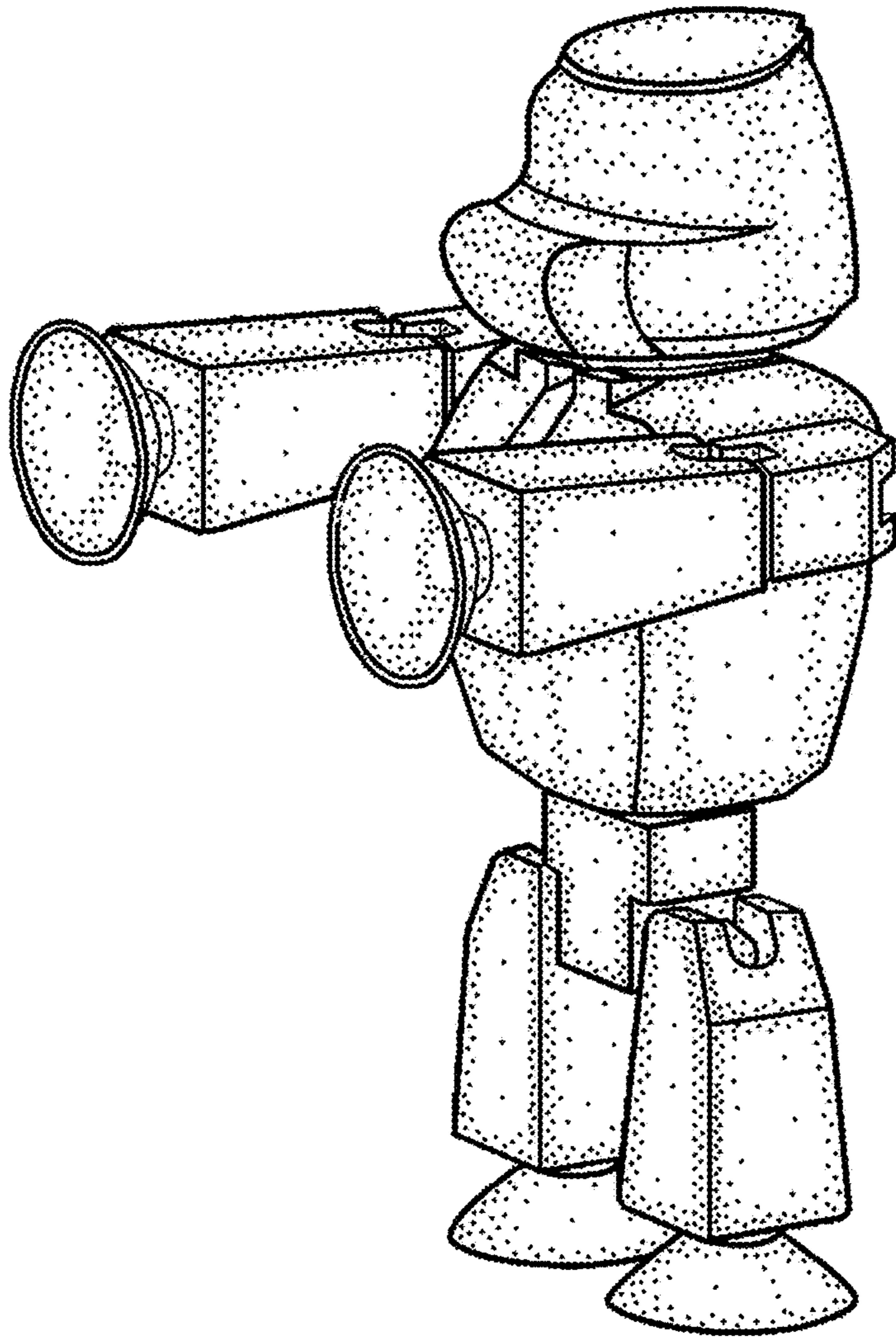


FIG. 1

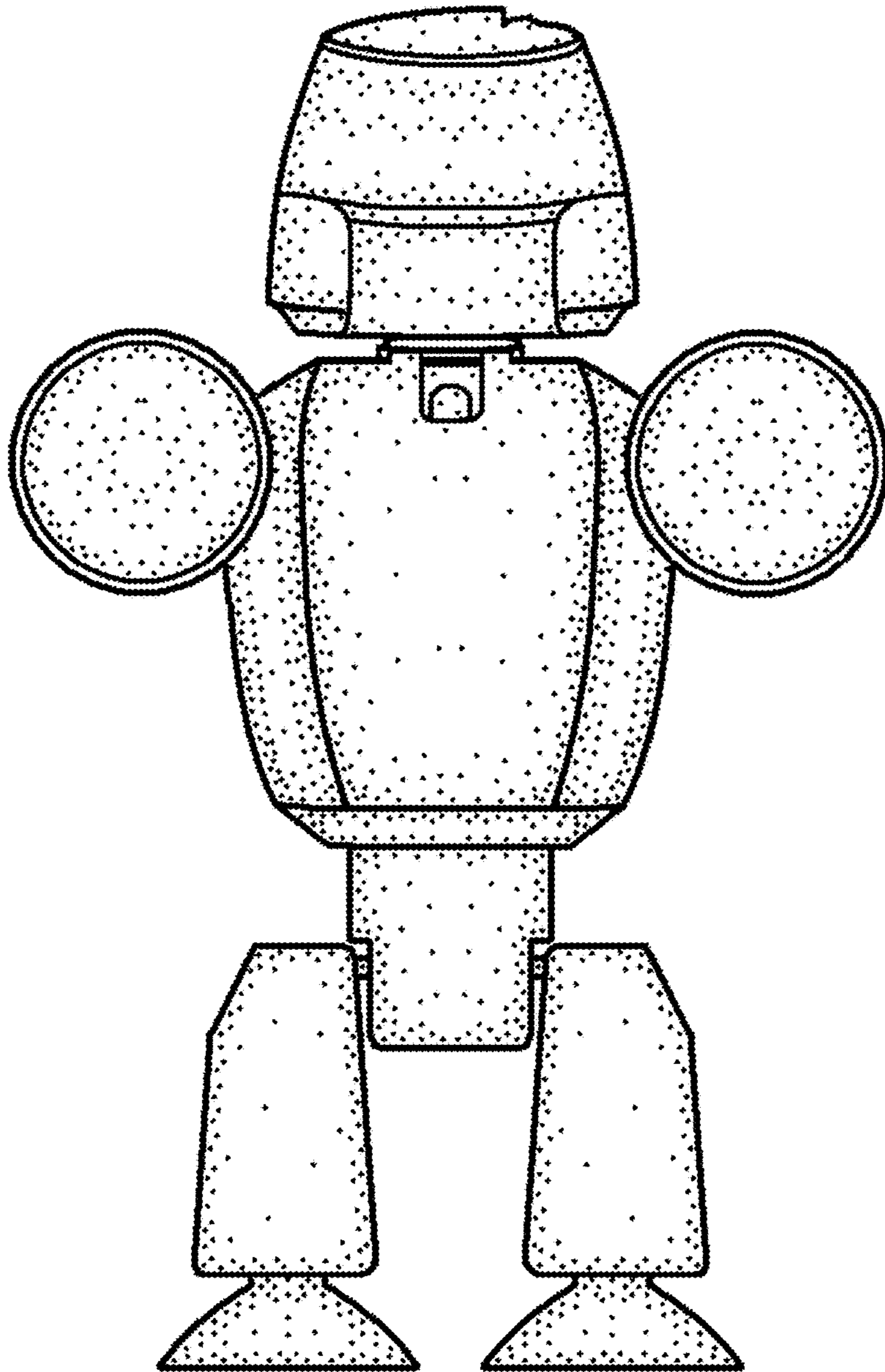


FIG. 2

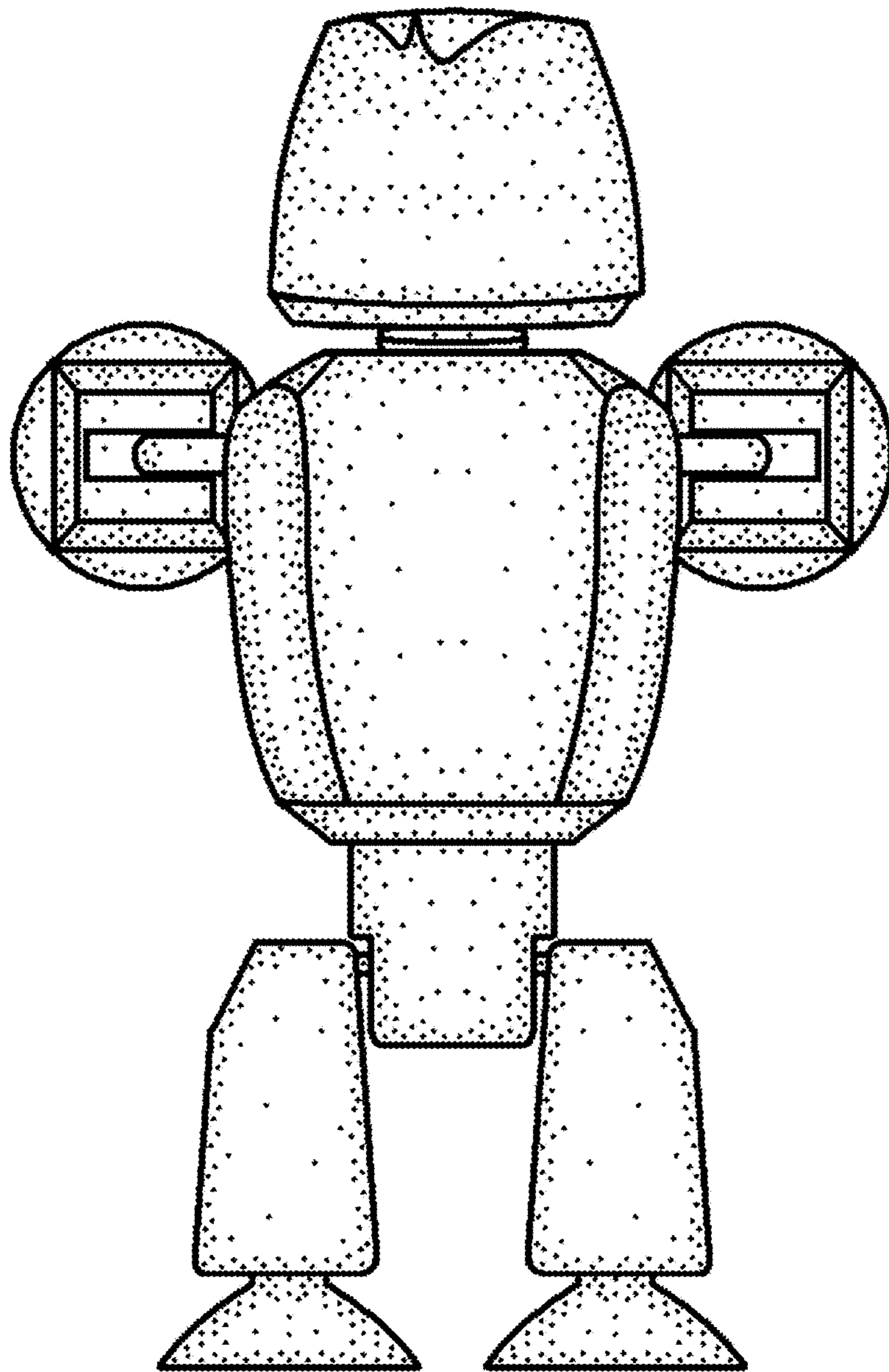


FIG. 3

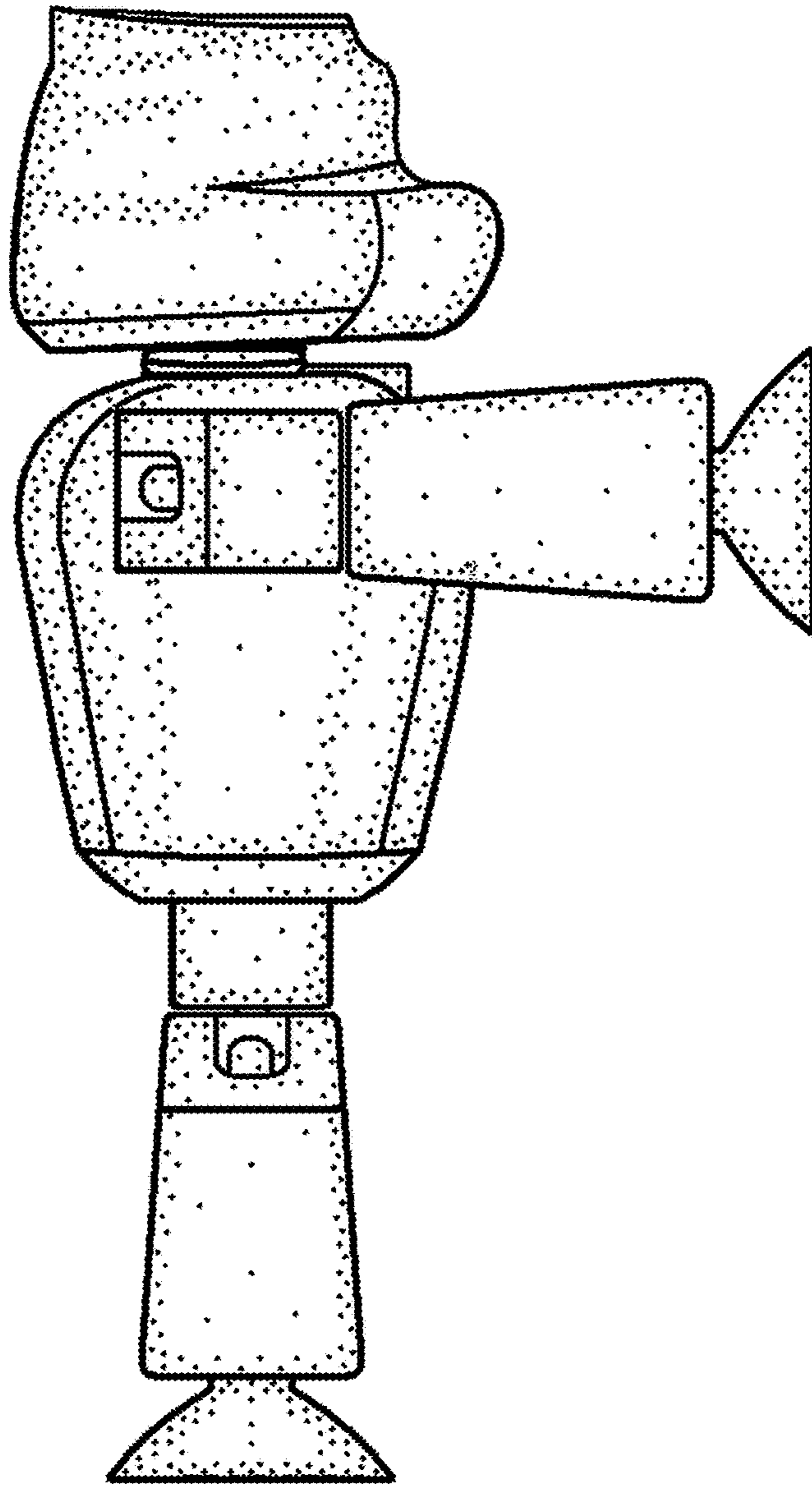


FIG. 4

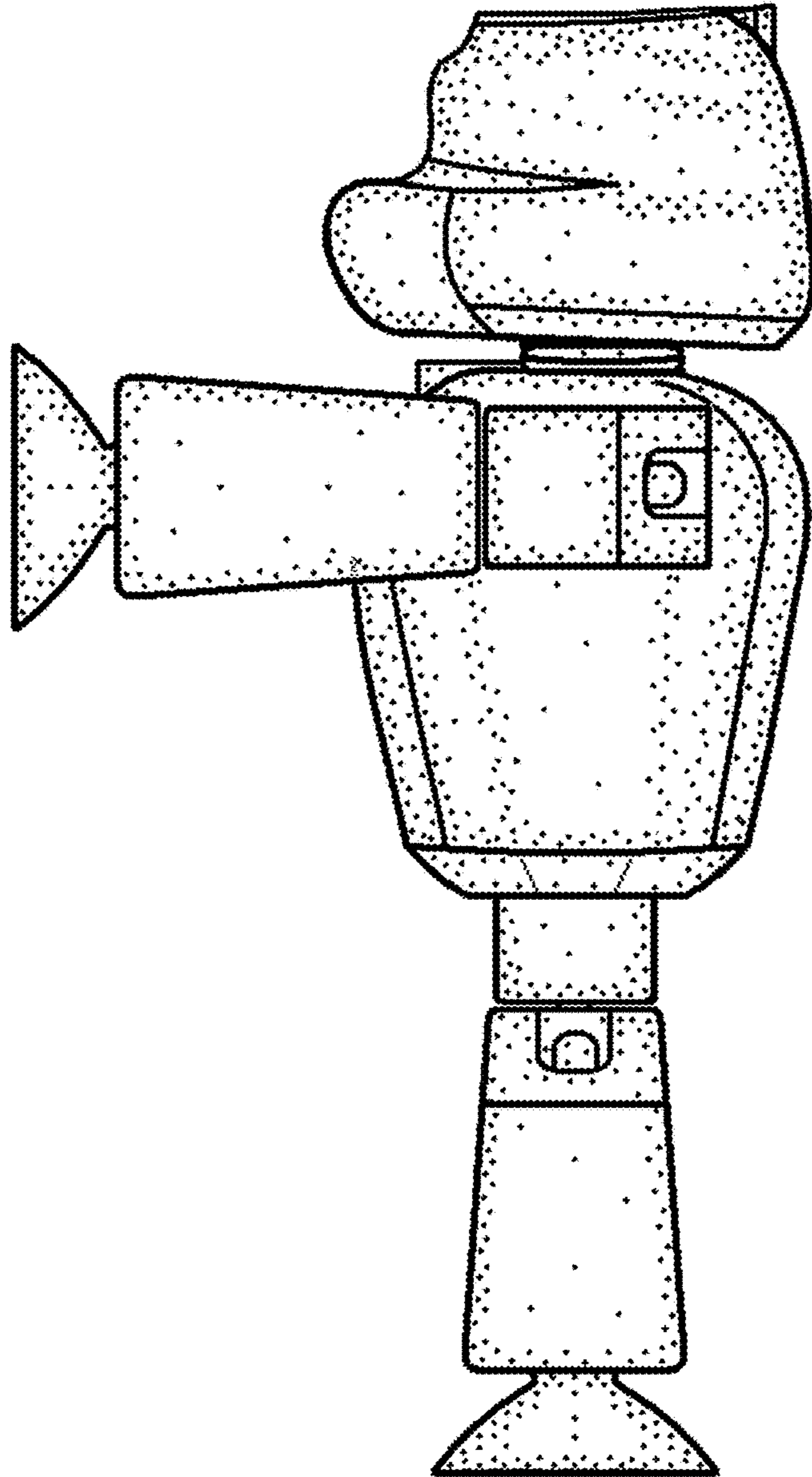


FIG. 5

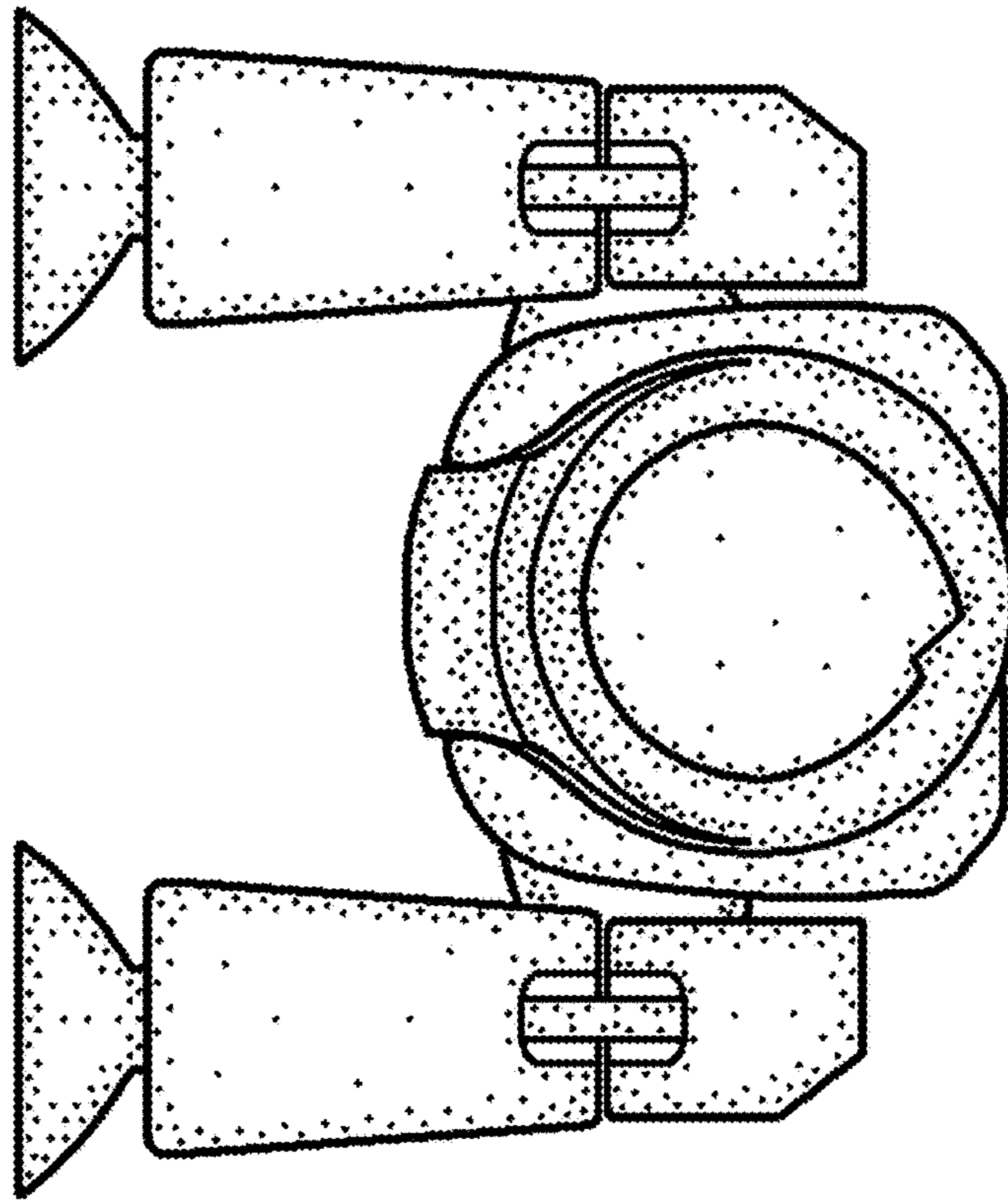


FIG. 6

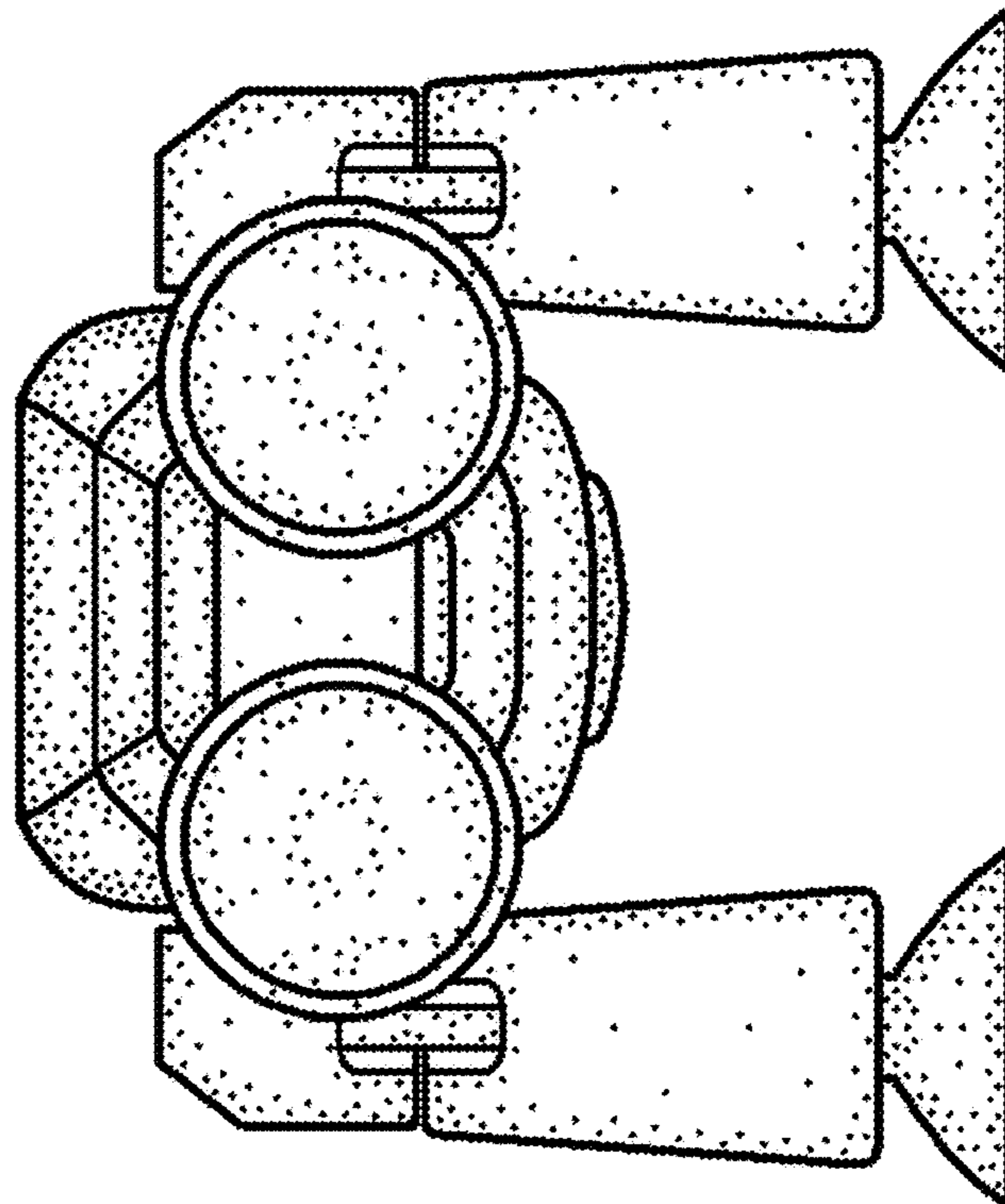


FIG. 7