



US00D832371S

(12) **United States Design Patent**  
**Miao et al.**

(10) **Patent No.:** **US D832,371 S**  
(45) **Date of Patent:** **\*\* Oct. 30, 2018**

(54) **ROBOT**

(71) Applicant: **UBTECH Robotics Corp.**, Shenzhen (CN)

(72) Inventors: **Yusi Miao**, Shenzhen (CN); **Wenhua Yu**, Shenzhen (CN); **Libing Zhou**, Shenzhen (CN); **Qi Zhao**, Shenzhen (CN); **Youjun Xiong**, Shenzhen (CN)

(73) Assignee: **UBTECH ROBOTICS CORP.**, Shenzhen (CN)

(\*\*) Term: **15 Years**

(21) Appl. No.: **29/593,995**

(22) Filed: **Feb. 14, 2017**

(30) **Foreign Application Priority Data**

Dec. 8, 2016 (JP) ..... 2016-26616

(51) **LOC (11) Cl.** ..... **21-01**

(52) **U.S. Cl.**  
USPC ..... **D21/578**

(58) **Field of Classification Search**  
USPC ..... D15/199, 144; D21/578, 579, 576,  
D21/621-623, 624-627, 630, 580;  
D24/185; D14/302, 307  
CPC . B25J 9/044; B25J 9/003; B25J 9/0078; B25J  
9/102; B25J 18/00; B25J 18/002; B25J  
18/04; B25J 18/007; B25J 15/00; B25J  
15/0033; B25J 15/0038  
See application file for complete search history.

(56) **References Cited**

**U.S. PATENT DOCUMENTS**

D460,131 S \* 7/2002 Koshiishi ..... D21/578  
D508,096 S \* 8/2005 Koshiishi ..... D21/578

D677,743 S \* 3/2013 Koshiishi ..... D15/199  
D688,329 S \* 8/2013 Vinh Hoang ..... D15/199  
8,579,343 B2 \* 11/2013 Park ..... B25J 9/102  
294/111  
2011/0067521 A1 \* 3/2011 Linn ..... B25J 15/0009  
74/490.06

**OTHER PUBLICATIONS**

TweakTown, Dyson wants to see advanced household androids in every home, posted Feb. 10, 2014, [online], [site visited May 22, 2018]. Available from Internet, <URL: <https://www.tweaktown.com/news/35357/dyson-wants-to-see-advanced-household-androids-in-every-home/index.html>> (Year: 2014).\*

Scriptol, Humanoid Robots, webarchive Apr. 5, 2011, [online], [site visited May 22, 2018]. Available from Internet, <URL: <https://web.archive.org/web/20110405005045/https://www.scriptol.com/robotics/humanoid-robots.php>> (Year: 2011).\*

\* cited by examiner

*Primary Examiner* — Sheryl Lane  
*Assistant Examiner* — Samantha N Wood

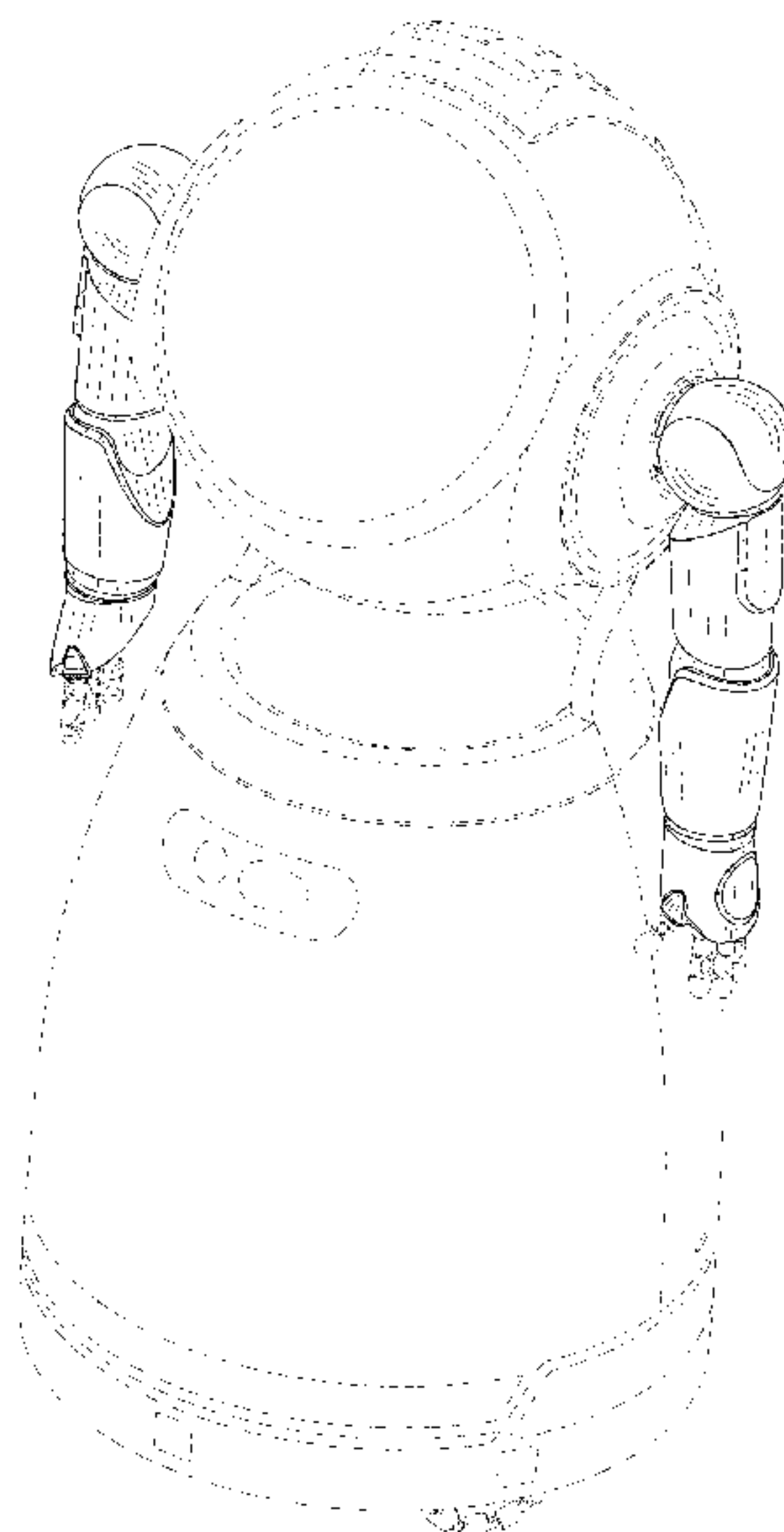
(57) **CLAIM**

The ornamental design for a robot, as shown and described.

**DESCRIPTION**

FIG. 1 is a perspective view of a robot showing our new design;  
FIG. 2 is a front elevational view thereof;  
FIG. 3 is a rear elevational view thereof;  
FIG. 4 is a left side elevational view thereof;  
FIG. 5 is a right side elevational view thereof;  
FIG. 6 is a top plan view thereof; and,  
FIG. 7 is a bottom plan view thereof.  
The broken lines are included for the purpose of illustrating the environmental structure and form no part of the claimed design.

**1 Claim, 7 Drawing Sheets**



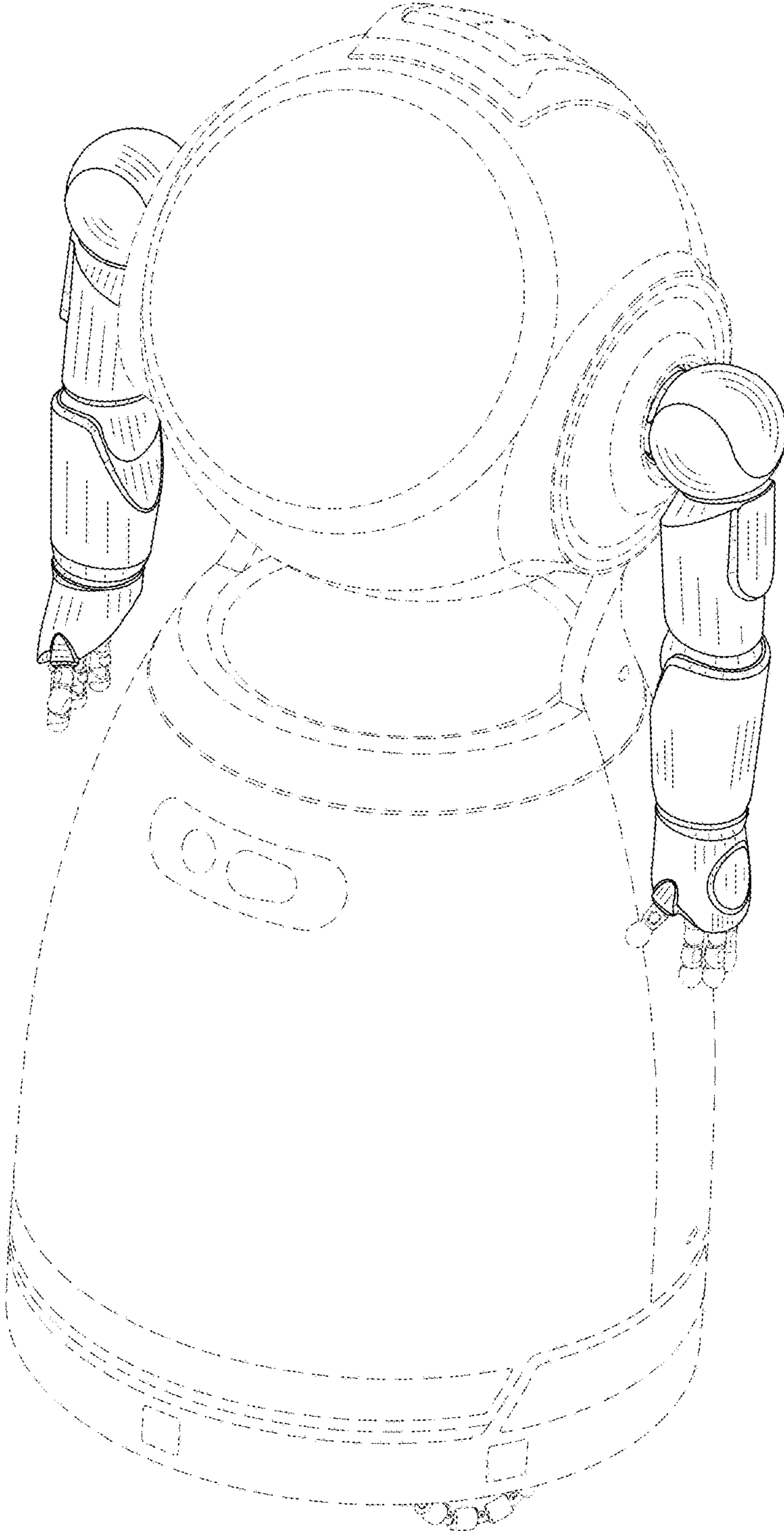


FIG. 1

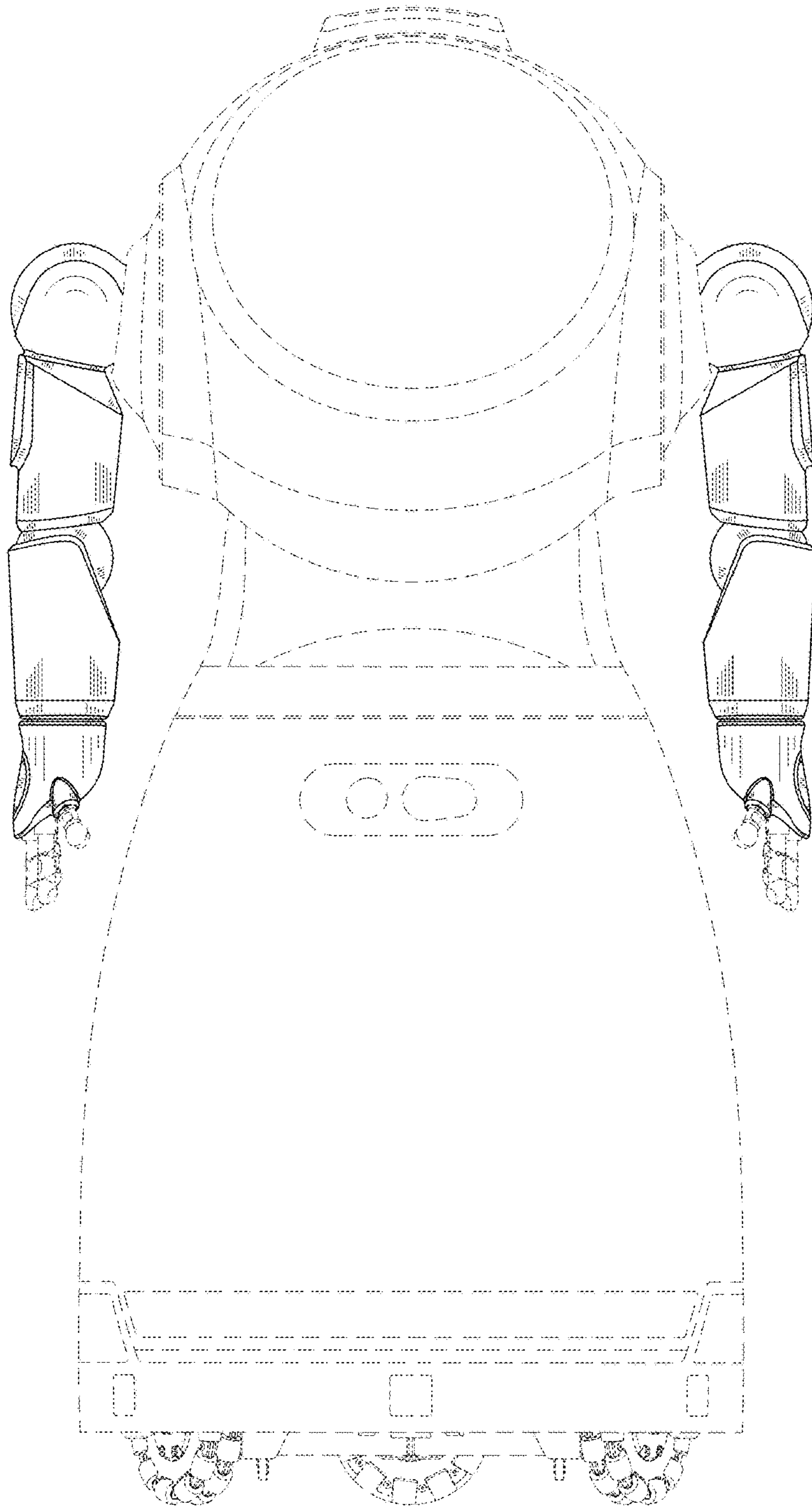


FIG. 2

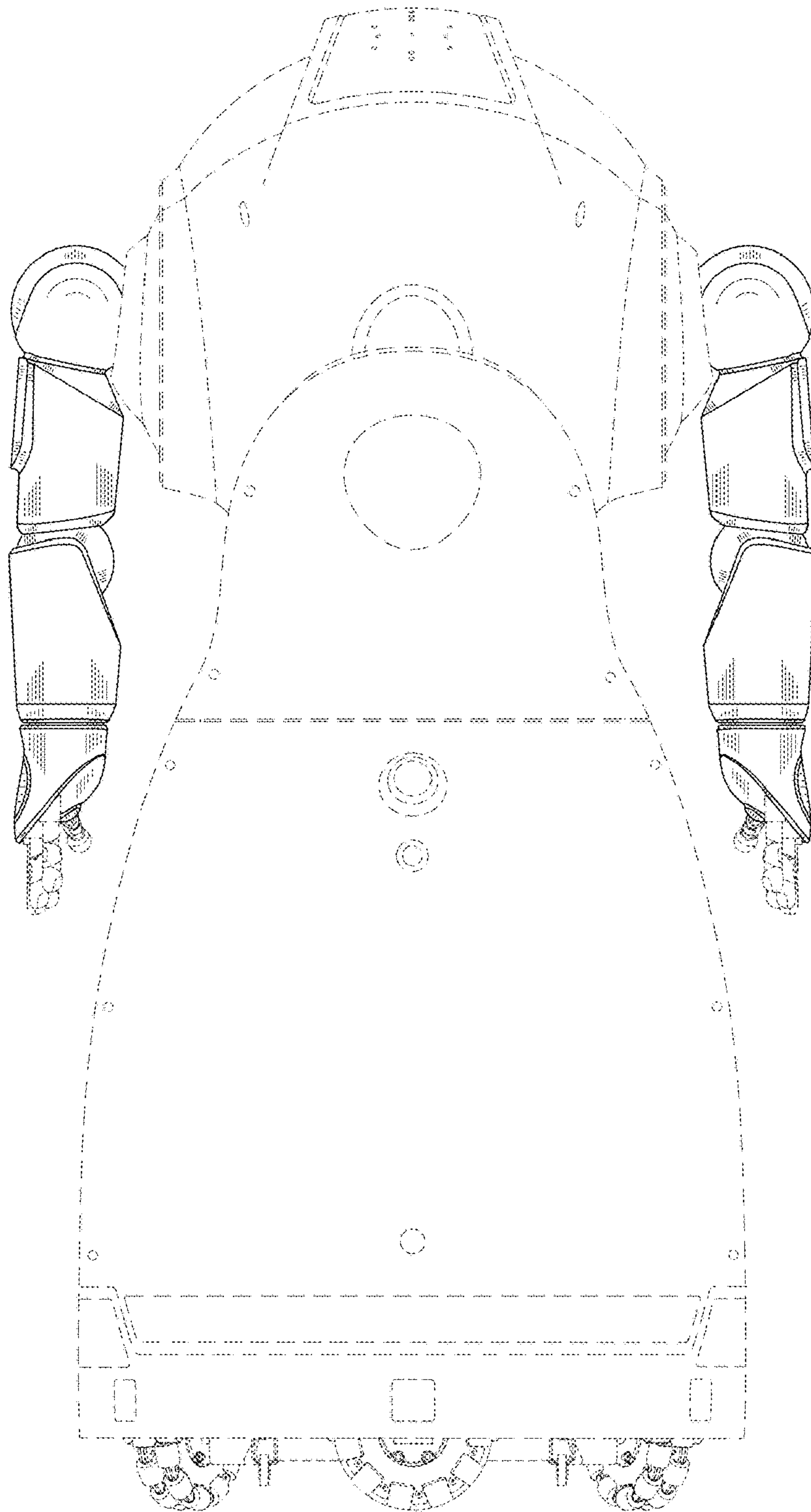


FIG. 3



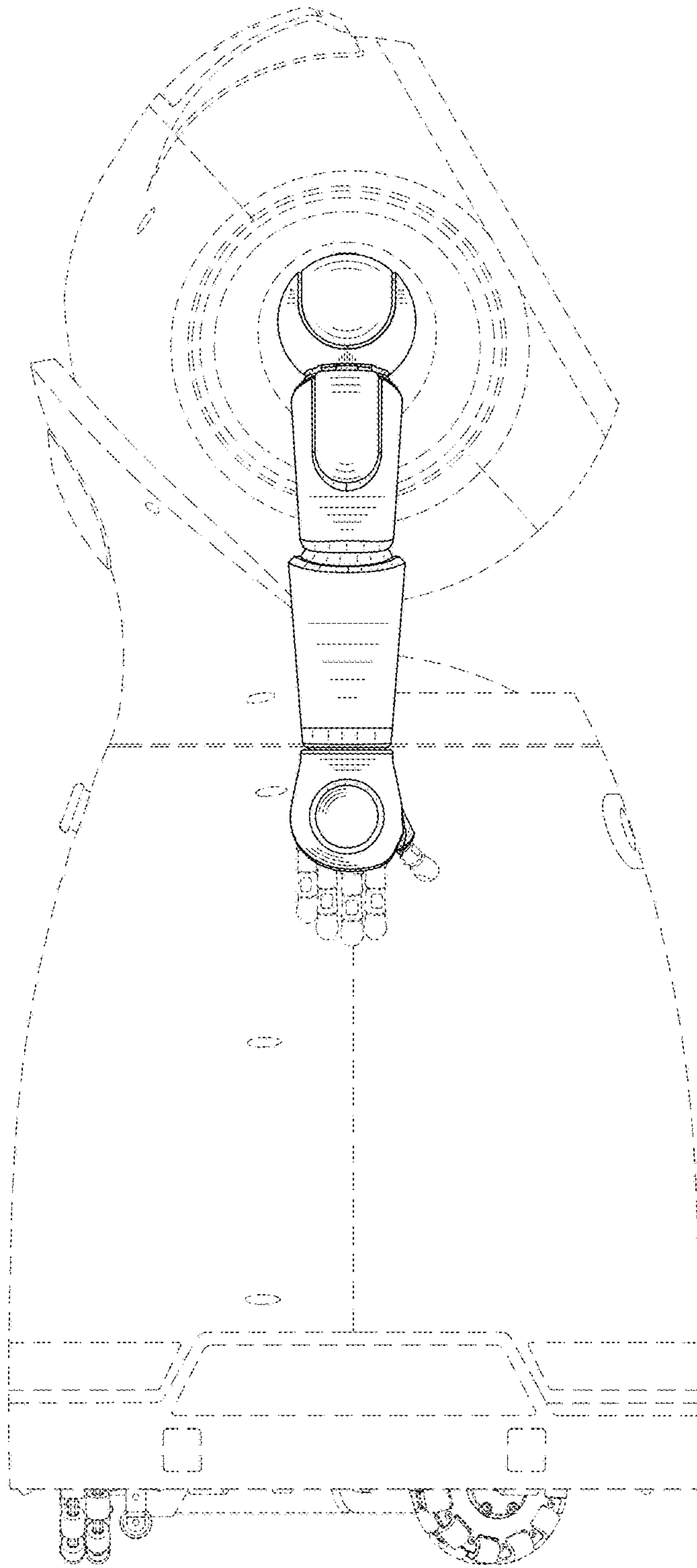


FIG. 4

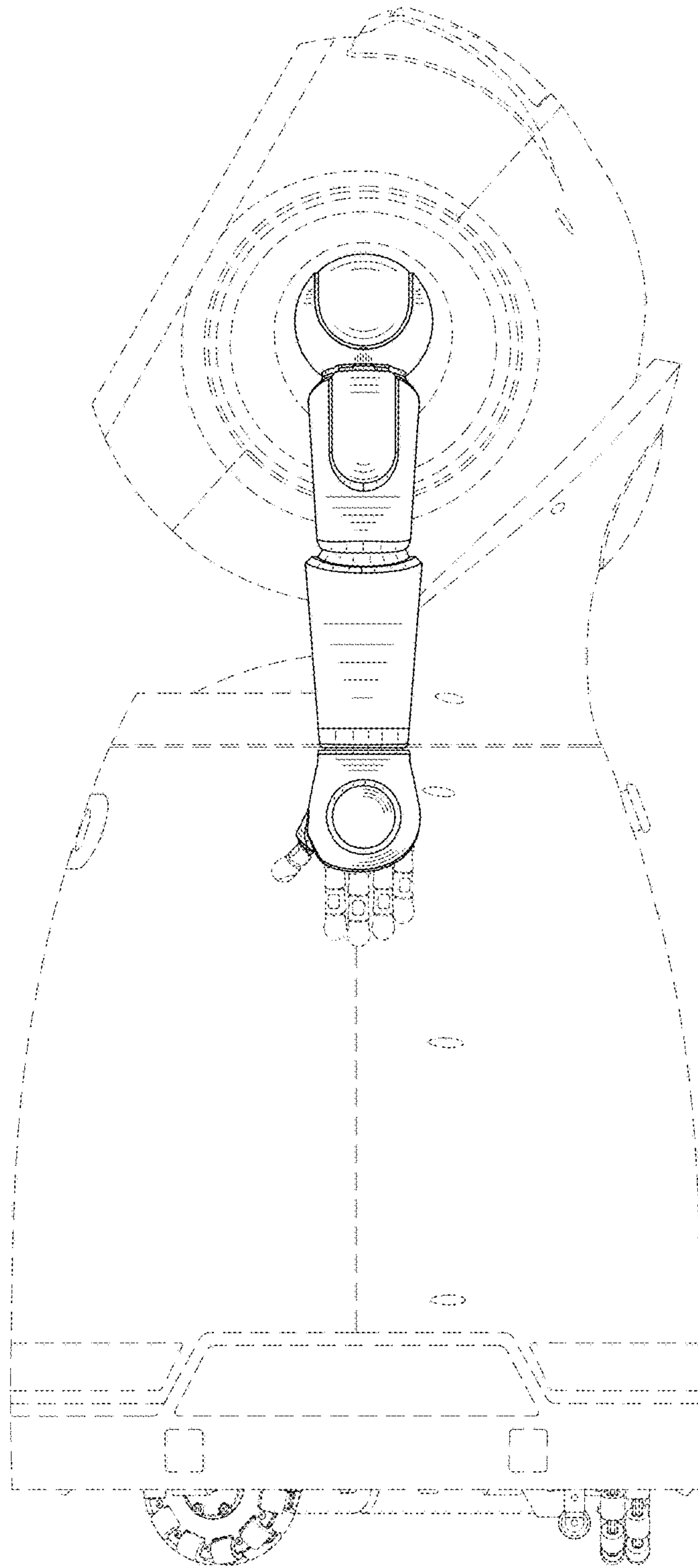


FIG. 5

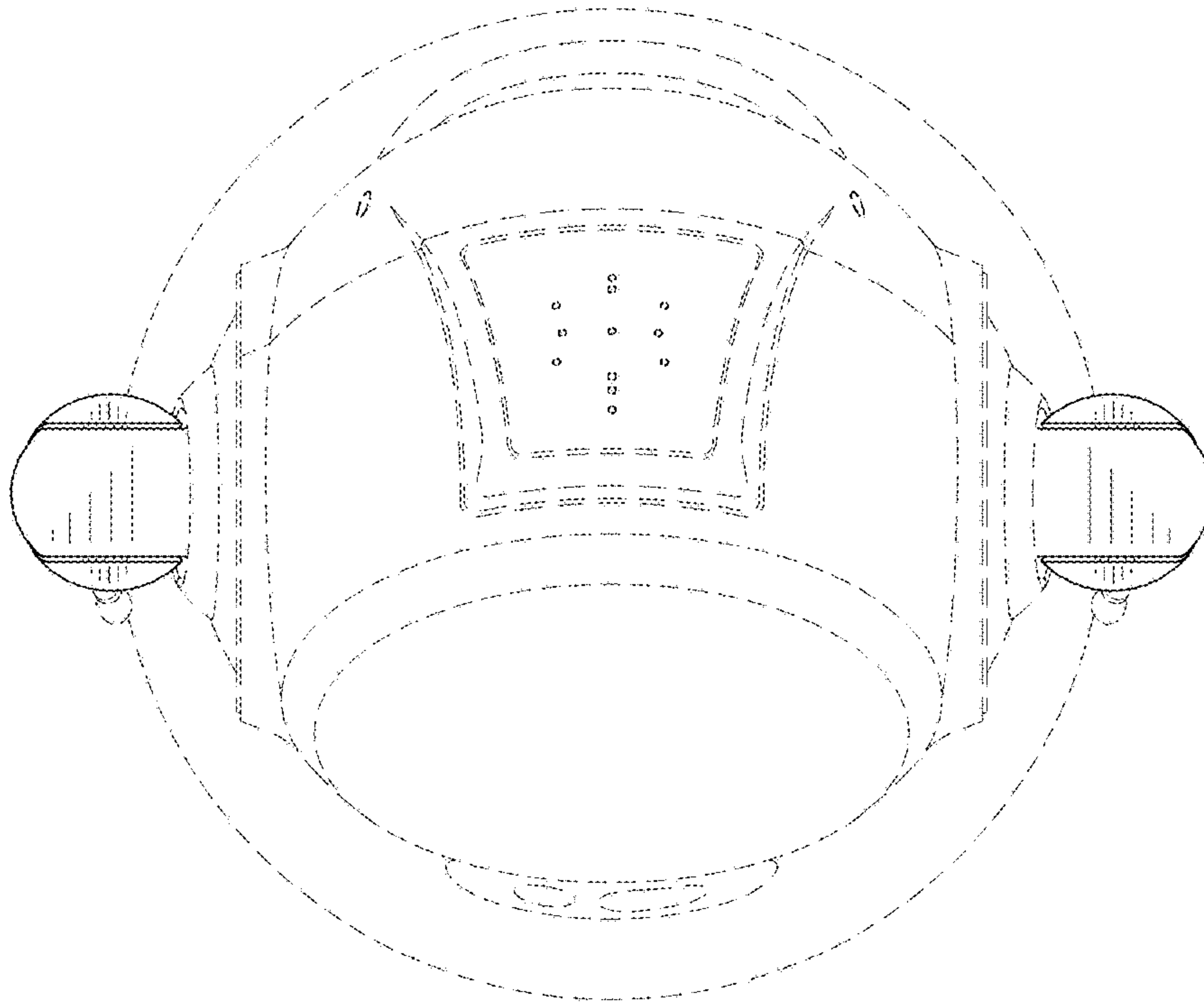


FIG. 6

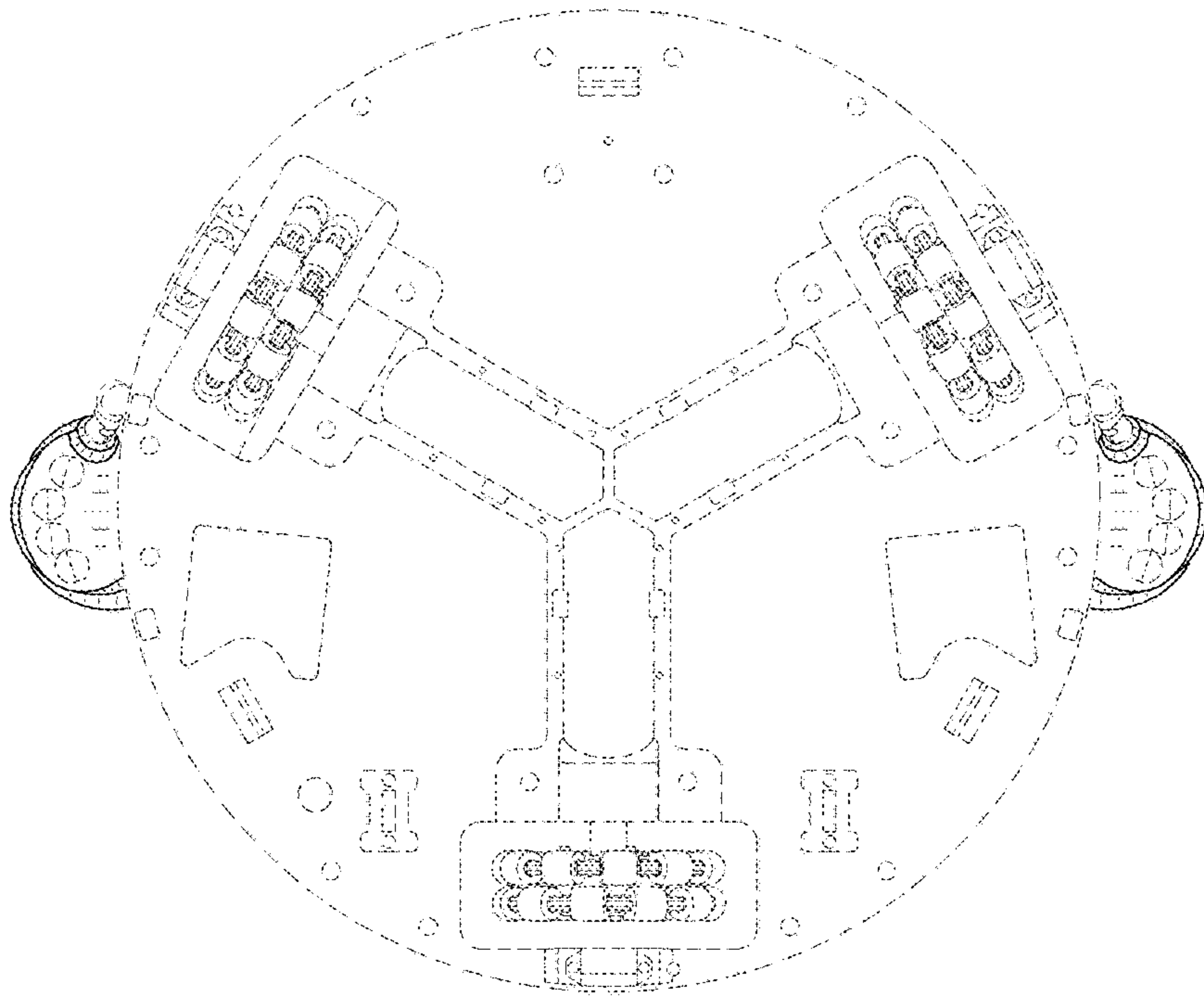


FIG. 7