



US00D832366S

(12) **United States Design Patent** (10) **Patent No.:** **US D832,366 S**
Ornstein et al. (45) **Date of Patent:** **** Oct. 30, 2018**

(54) **TOY CONNECTOR**

(71) Applicant: **Box Tiles LLC**, Highland Park, IL (US)

(72) Inventors: **Noah J. Ornstein**, Highland Park, IL (US); **Joseph M. Kelley**, Highland Park, IL (US)

(73) Assignee: **Box Tiles LLC**, Highland Park, IL (US)

(**) Term: **15 Years**

(21) Appl. No.: **29/609,362**

(22) Filed: **Jun. 29, 2017**

(51) **LOC (11) Cl.** **21-01**

(52) **U.S. Cl.**
USPC **D21/486**; D8/382

(58) **Field of Classification Search**
USPC D21/484, 485, 486, 488, 489, 491, 494, D21/495, 499, 500–504; 446/69, 85, 446/102–128; D8/382
CPC A63H 33/00; A63H 33/04; A63H 33/06; A63H 33/062; A63H 33/10; A63H 33/101; G09B 1/36; G09B 1/68
See application file for complete search history.

(56) **References Cited**

U.S. PATENT DOCUMENTS

1,863,995 A 6/1932 Ponstingl
2,951,311 A 9/1960 Luther
2,968,118 A 1/1961 Paulson
3,661,689 A 5/1972 Spanier
(Continued)

FOREIGN PATENT DOCUMENTS

CN 201591981 U 9/2010
CN ZL2016304680837 3/2017
(Continued)

OTHER PUBLICATIONS

Magformers XL Cruisers Construction Set, available at <http://www.amazon.com/Magformers-XL-Cruisers-Construction-Set/dp/B008EGHIEM>, available Apr. 23, 2013 according to archive.org/web.

(Continued)

Primary Examiner — Cynthia M. Chin

(74) *Attorney, Agent, or Firm* — Fitch Even Tabin & Flannery LLP

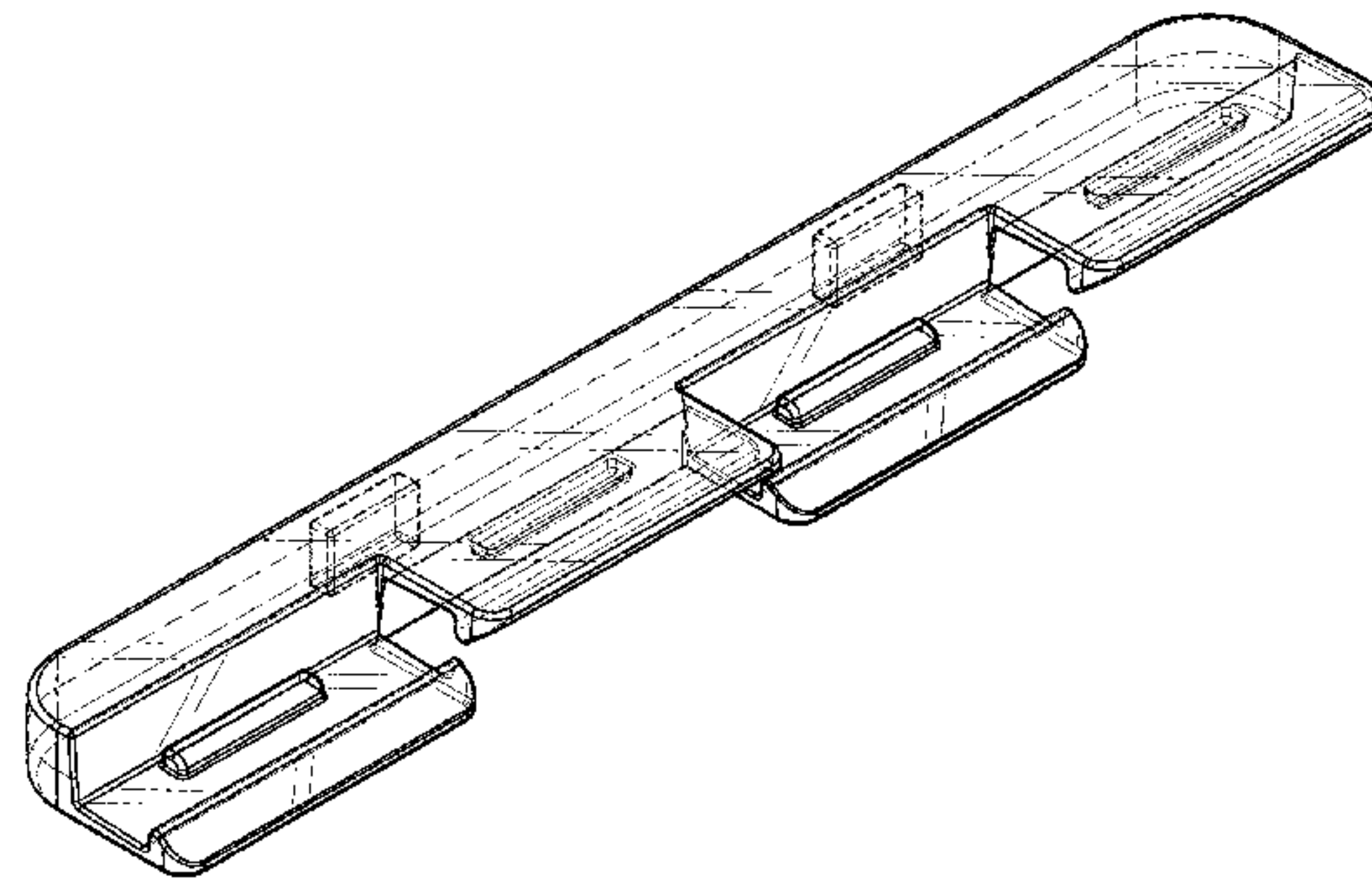
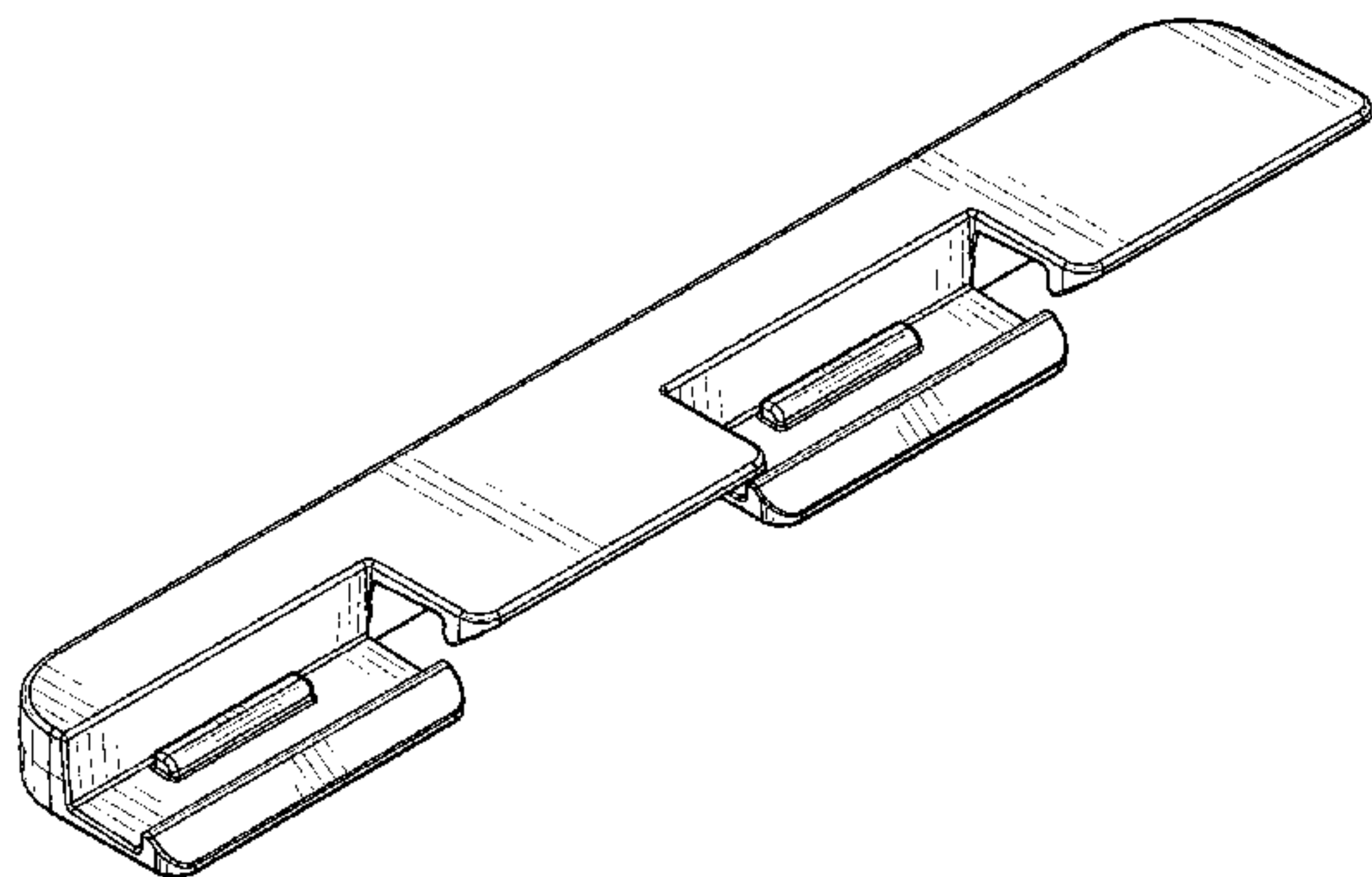
(57) **CLAIM**

We claim the ornamental design for a toy connector, as shown and described.

DESCRIPTION

FIG. 1 is a top perspective view of the toy connector in accordance with a first embodiment of our new design; FIG. 2 is a bottom perspective view thereof; FIG. 3 is a top plan view thereof; FIG. 4 is a bottom plan view thereof; FIG. 5 is a front elevation view thereof; FIG. 6 is a rear elevation view thereof; FIG. 7 is a right side elevation view thereof; FIG. 8 is a left side elevation view thereof; FIG. 9 is a top perspective view of the toy connector in accordance with a second embodiment of our new design; FIG. 10 is a bottom perspective view thereof; FIG. 11 is a top plan view thereof; FIG. 12 is a bottom plan view thereof; FIG. 13 is a front elevation view thereof; FIG. 14 is a rear elevation view thereof; FIG. 15 is a right side elevation view thereof; and, FIG. 16 is a left side elevation view thereof. The broken lines illustrate portions of the toy connector that form no part of the claimed design. The oblique shade lines in FIGS. 9-16 represent a transparent or translucent surface and not surface ornamentation.

1 Claim, 10 Drawing Sheets



(56)

References Cited

U.S. PATENT DOCUMENTS

3,712,539 A * 1/1973 Staats A63H 18/02
238/10 E
3,768,846 A * 10/1973 Hensley F16B 5/0607
403/11
3,890,738 A * 6/1975 Bassani A63H 33/04
446/111
3,902,291 A 9/1975 Zucht
3,998,004 A 12/1976 Ehrlich
4,192,083 A 3/1980 Rebeck
4,193,221 A 3/1980 Beck
4,227,337 A 10/1980 Murray et al.
4,255,837 A 3/1981 Holtz
4,258,479 A 3/1981 Roane
4,334,870 A 6/1982 Roane
4,334,871 A 6/1982 Roane
4,345,762 A * 8/1982 Lebelson A63H 33/065
273/157 R
4,561,223 A 12/1985 Gold et al.
4,884,988 A 12/1989 McMurray
5,009,625 A 4/1991 Longuet-Higgins
5,021,021 A 6/1991 Ballard
5,134,812 A 8/1992 Hoffman et al.
5,161,827 A 11/1992 Grosso
5,222,902 A 6/1993 Piersch
5,230,172 A 7/1993 Hsu
5,417,603 A 5/1995 De Chazal
5,482,491 A 1/1996 Kichijyo
D380,791 S * 7/1997 Gabriel D21/491
5,830,032 A 11/1998 Campbell
5,871,384 A 2/1999 Kichijo
5,888,114 A 3/1999 Slocum et al.
6,032,590 A 3/2000 Chen
6,113,203 A 9/2000 Chen
6,298,591 B1 10/2001 Healy
6,431,936 B1 8/2002 Kiribuchi
6,464,553 B2 * 10/2002 Huang A63H 33/042
446/104
6,488,346 B2 12/2002 Chen
6,500,007 B2 12/2002 Pupulin
6,824,440 B2 11/2004 Brener
6,969,294 B2 11/2005 Vicentelli
7,004,082 B2 2/2006 Yang
7,066,778 B2 6/2006 Kretzschmar
D532,054 S * 11/2006 Kim D21/486
7,154,363 B2 12/2006 Hunts
7,273,404 B2 9/2007 Kowalski et al.
7,364,487 B2 4/2008 Evans
7,373,748 B2 5/2008 Pitcher et al.
7,520,080 B2 4/2009 Pitcher et al.
7,559,821 B2 7/2009 Pacheco
7,743,541 B2 6/2010 Suciu et al.
7,833,078 B2 11/2010 Kretzschmar
7,922,417 B2 4/2011 Jimenez
8,282,438 B2 10/2012 Tamulewicz

8,753,162 B2 * 6/2014 Jensen A63H 33/101
446/108
D713,474 S * 9/2014 Roberson D21/484
8,850,683 B2 10/2014 Haughey et al.
8,875,427 B2 11/2014 Valiulis
D718,822 S * 12/2014 Lee D21/565
8,904,688 B1 12/2014 Rue et al.
9,266,030 B2 * 2/2016 Graube A63H 33/062
9,314,707 B2 4/2016 Ornstein
9,345,980 B2 * 5/2016 Lee A63H 18/02
D776,830 S * 1/2017 Malpesa Guerrero D25/115
D776,831 S * 1/2017 Malpesa Guerrero D25/115
D784,938 S 4/2017 Wang Howard
D789,312 S 6/2017 Wang Howard
9,713,777 B2 * 7/2017 Peterson A63H 33/046
9,734,733 B2 8/2017 Murtagh
D809,071 S * 1/2018 Liu D21/486
9,887,049 B2 * 2/2018 De La Rosa A01K 1/031
2001/0004817 A1 6/2001 Auer
2001/0010992 A1 8/2001 Brazier
2002/0193046 A1 12/2002 Zebersky
2005/0241197 A1 11/2005 Ternovits et al.
2006/0166590 A1 7/2006 Ishikawa
2009/0013576 A1 1/2009 Jake et al.
2009/0217560 A1 9/2009 Topcuoglu
2010/0251659 A1 10/2010 Hughes
2011/0039473 A1 2/2011 Kretzschmar
2013/0072086 A1 3/2013 Saneshige
2013/0095722 A1 4/2013 Cochella
2014/0227934 A1 8/2014 Rudisill
2015/0367247 A1 12/2015 Kosmo
2016/0184727 A1 6/2016 Ornstein

FOREIGN PATENT DOCUMENTS

CN ZL2016304680841 3/2017
CN ZL2016304683356 3/2017
CN ZL2016304663579 5/2017
CN ZL2016304663776 5/2017
CN ZL2016304665771 5/2017
CN ZL2016304666238 5/2017
CN ZL2016304668017 5/2017
CN ZL2016304682442 5/2017
KR 200414572 4/2006
KR 1020120082517 7/2012
KR 101415746 B1 7/2014
WO 2011139013 A1 11/2011
WO 2015038581 A1 3/2015
WO 2015123119 A1 8/2015
WO 2015141927 A1 9/2015

OTHER PUBLICATIONS

PCT App. No. PCT/US2017/019120; International Search Report and Written Opinion dated May 5, 2017; pp. 1-48.

* cited by examiner

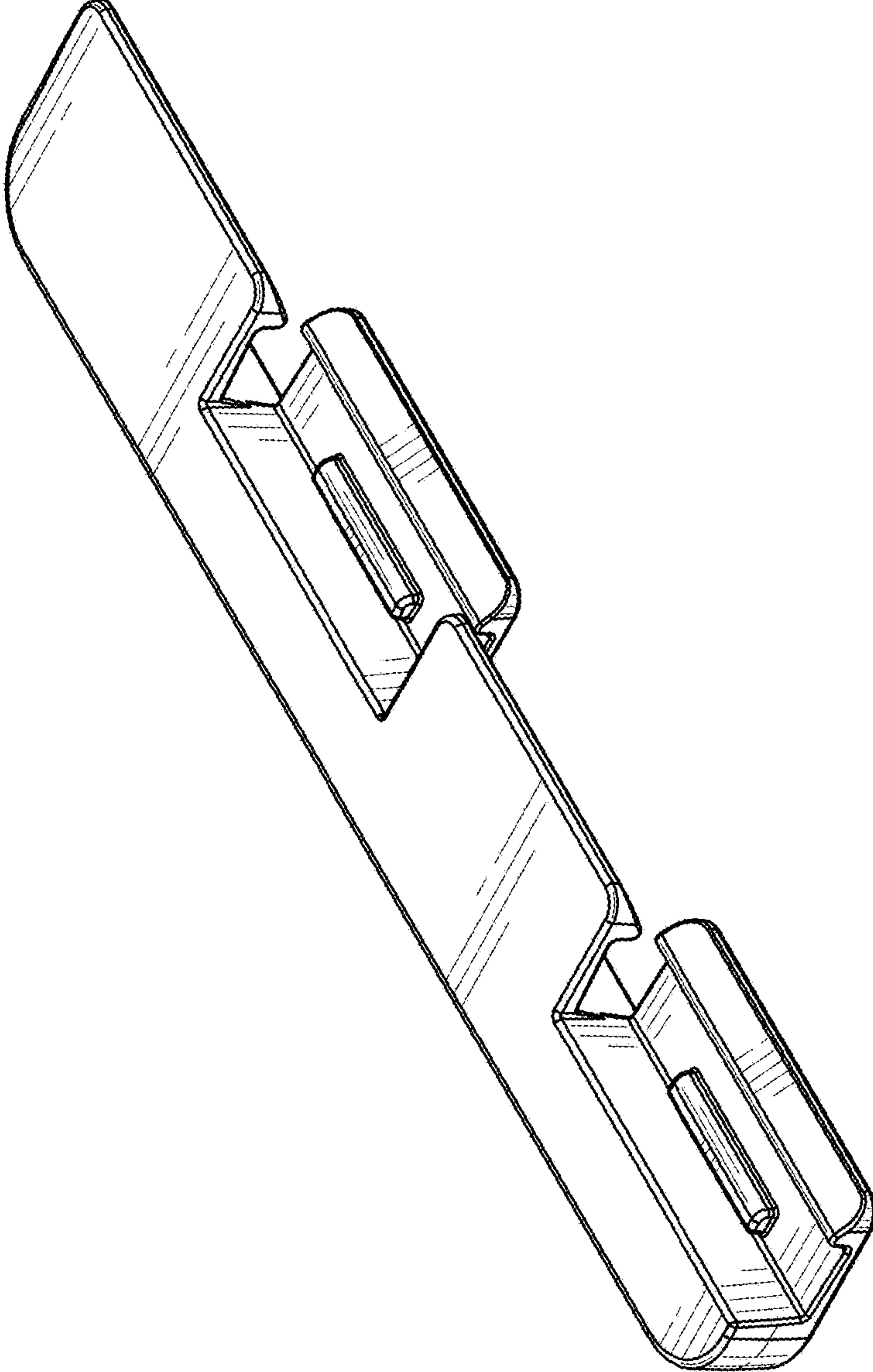


FIG. 1

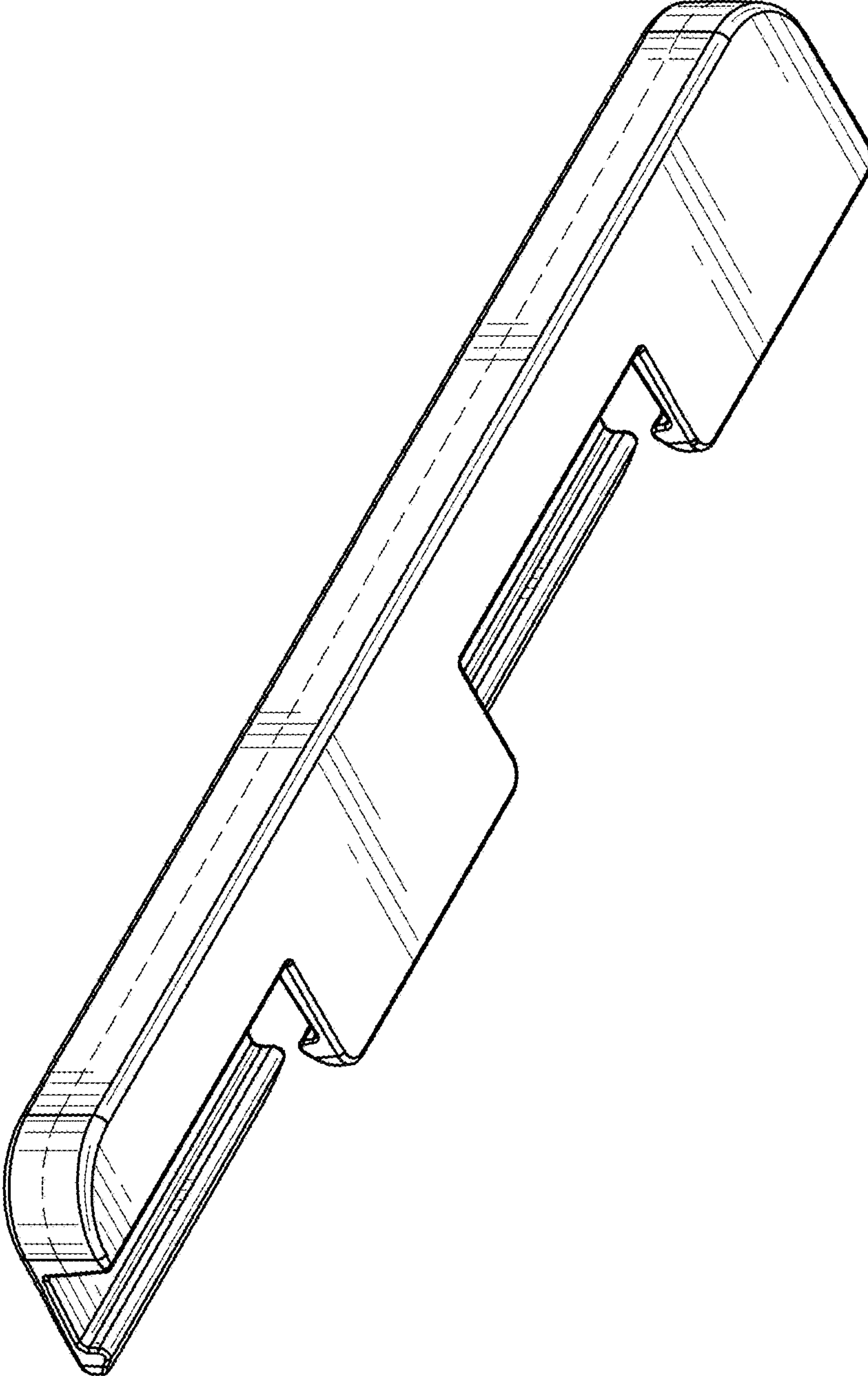


FIG. 2

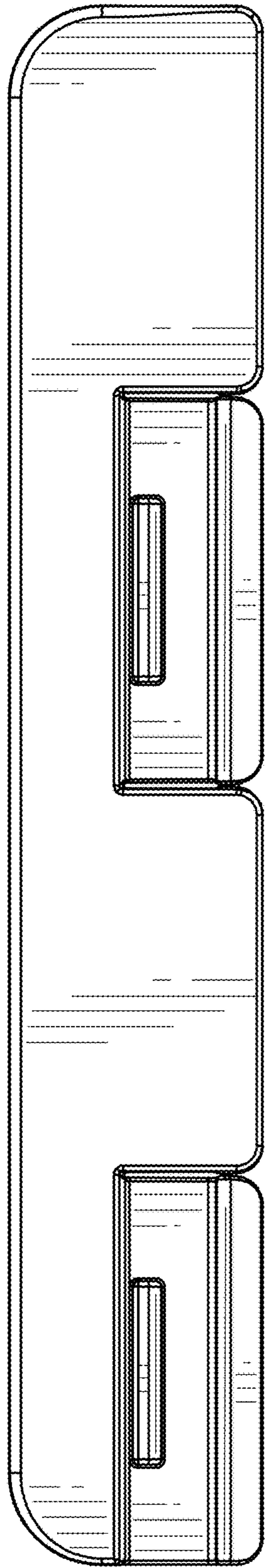


FIG. 3

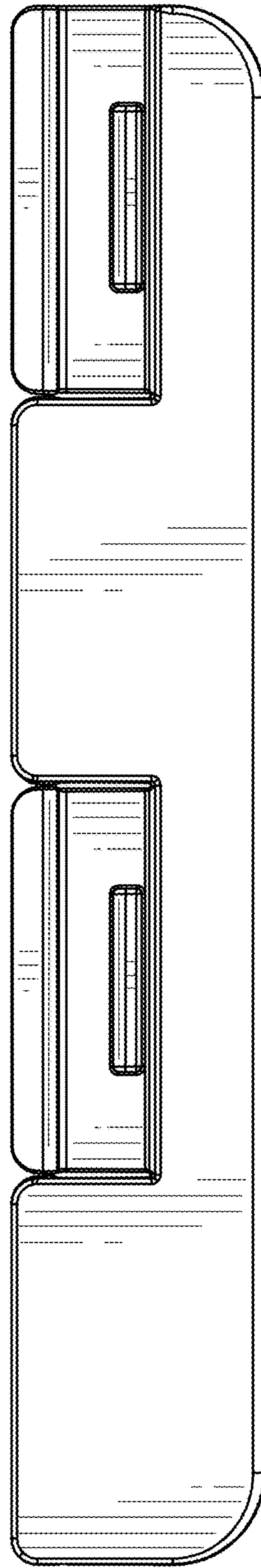


FIG. 4

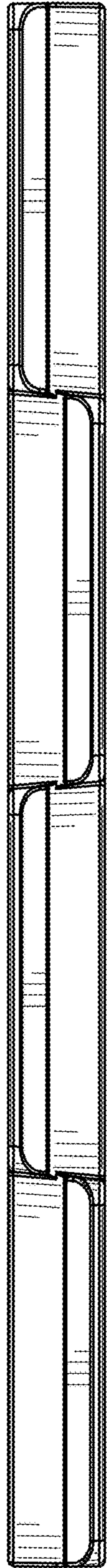


FIG. 5

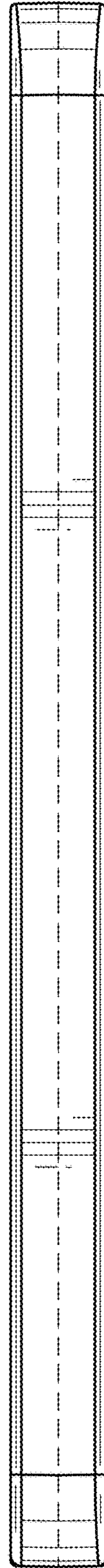


FIG. 6

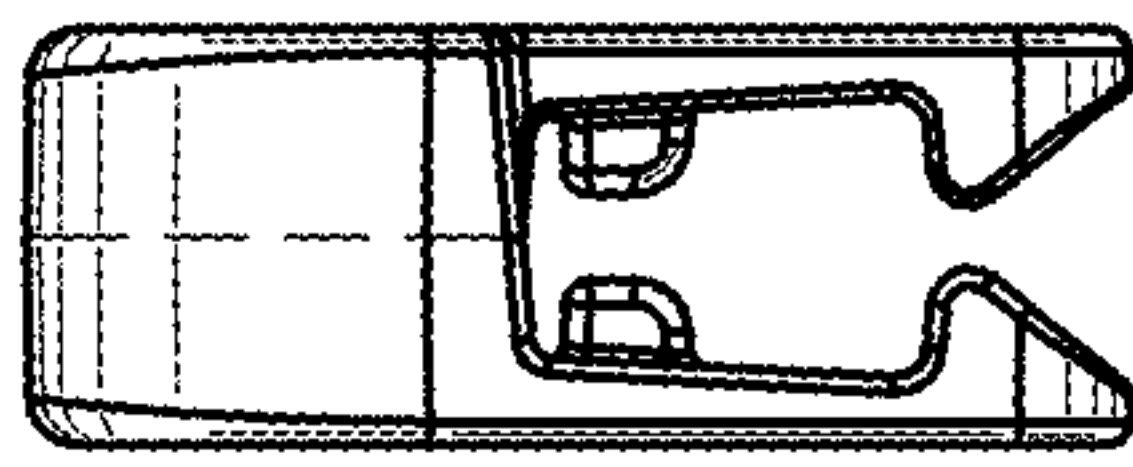


FIG. 7

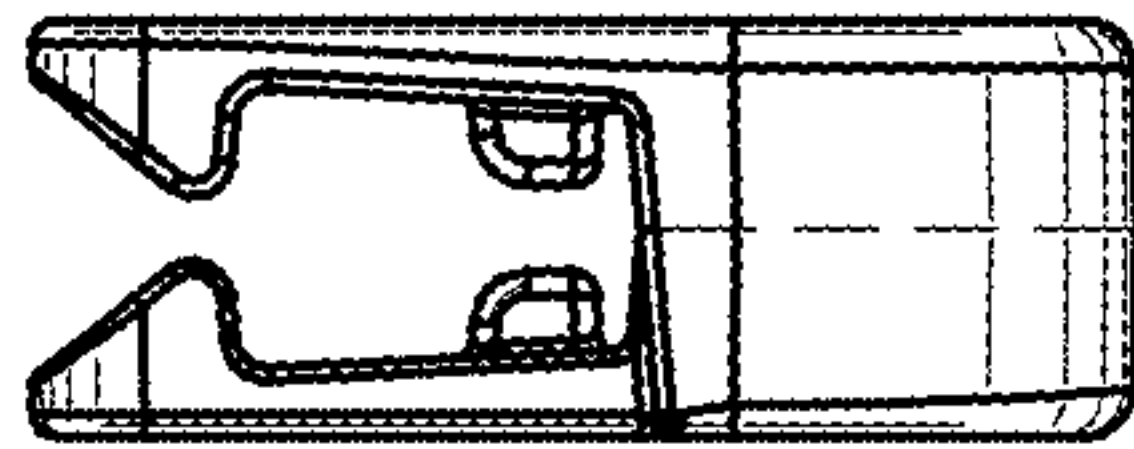


FIG. 8

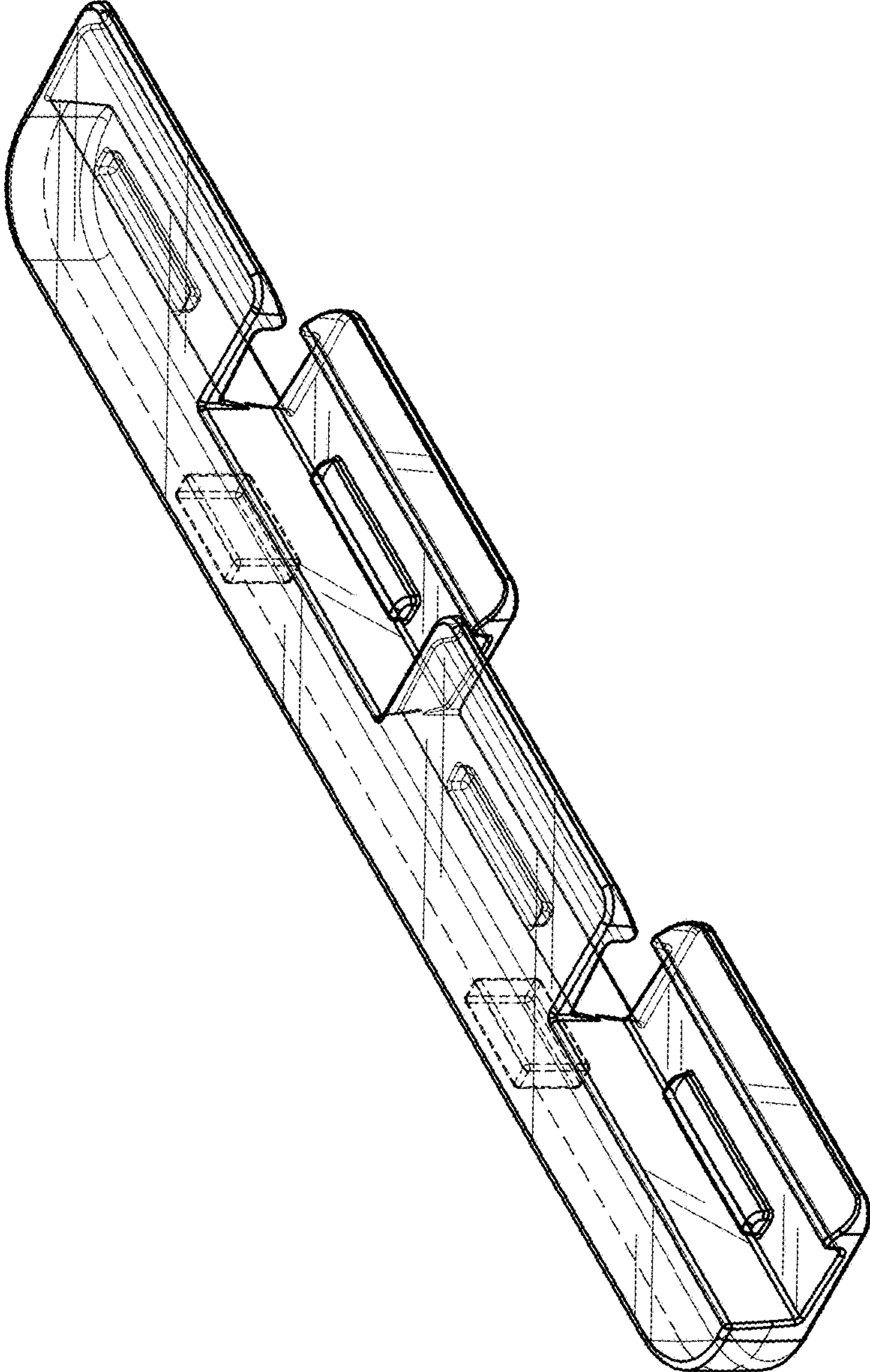


FIG. 9

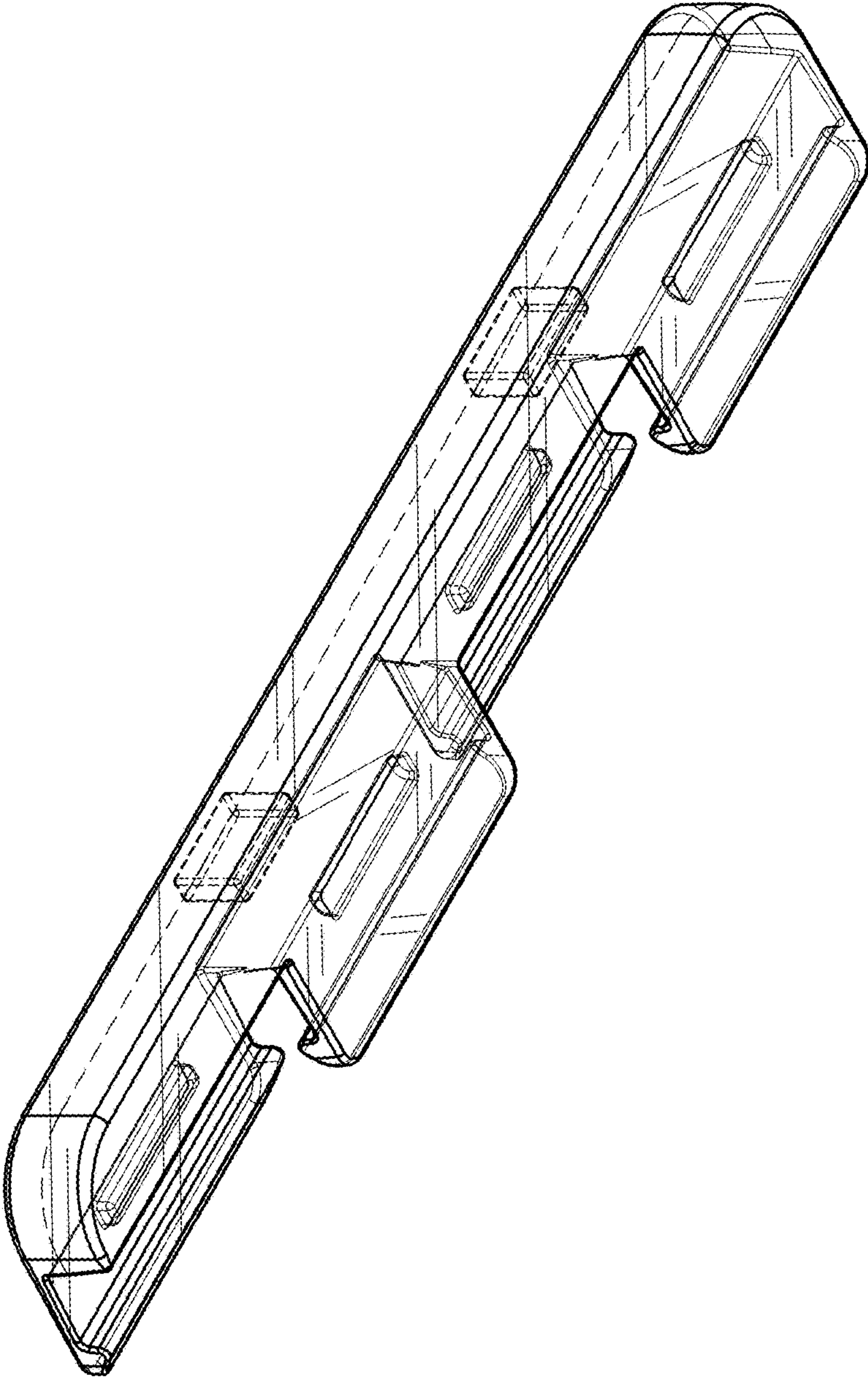


FIG. 10

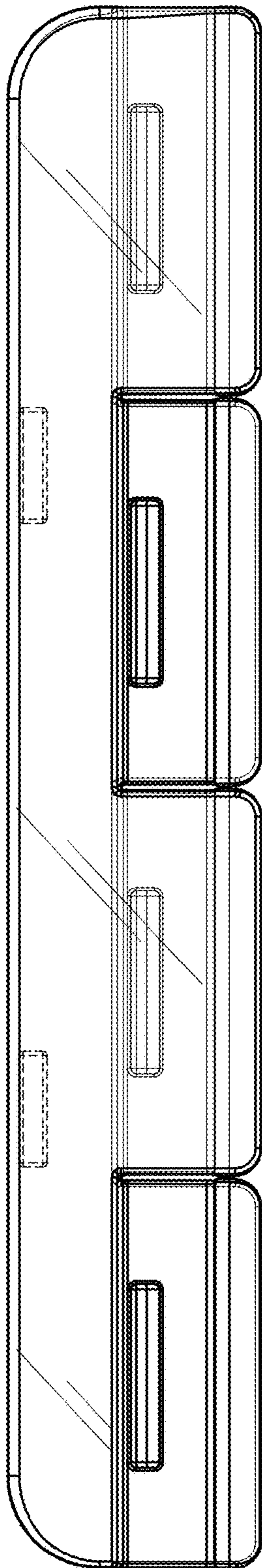


FIG. 11

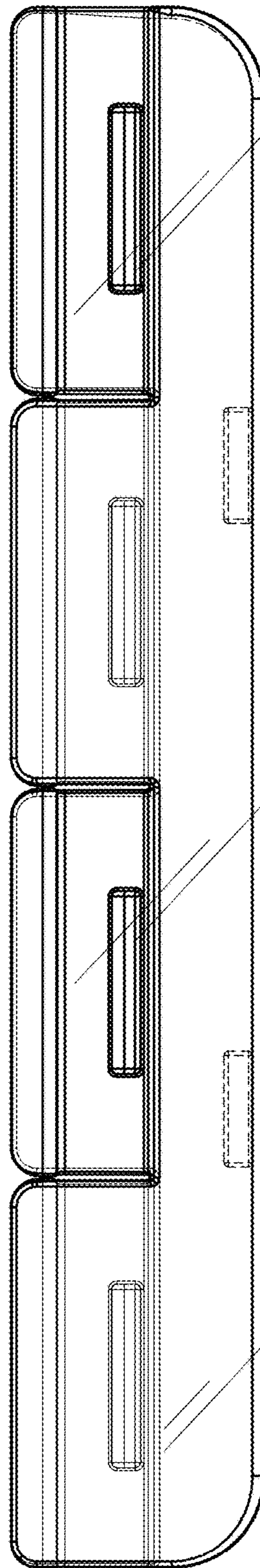


FIG. 12



FIG. 13



FIG. 14

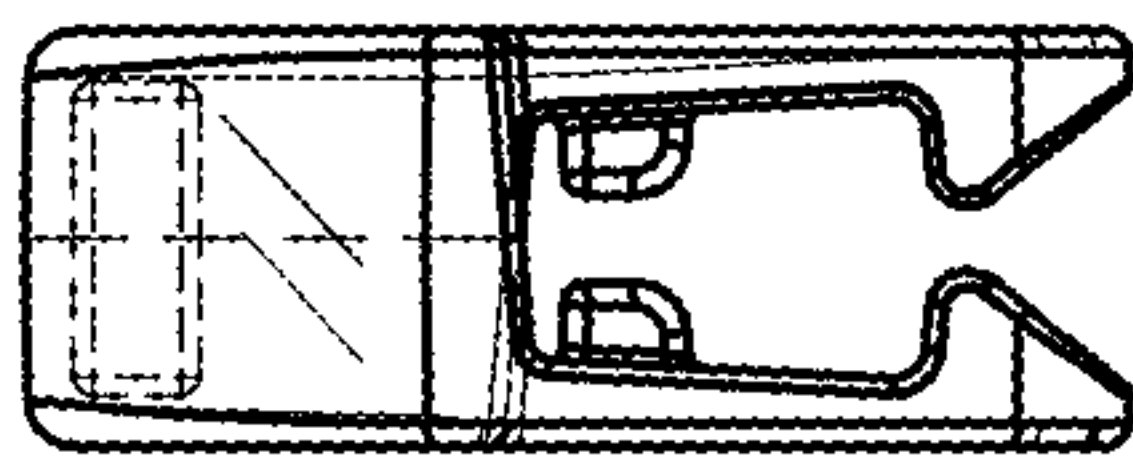


FIG. 15

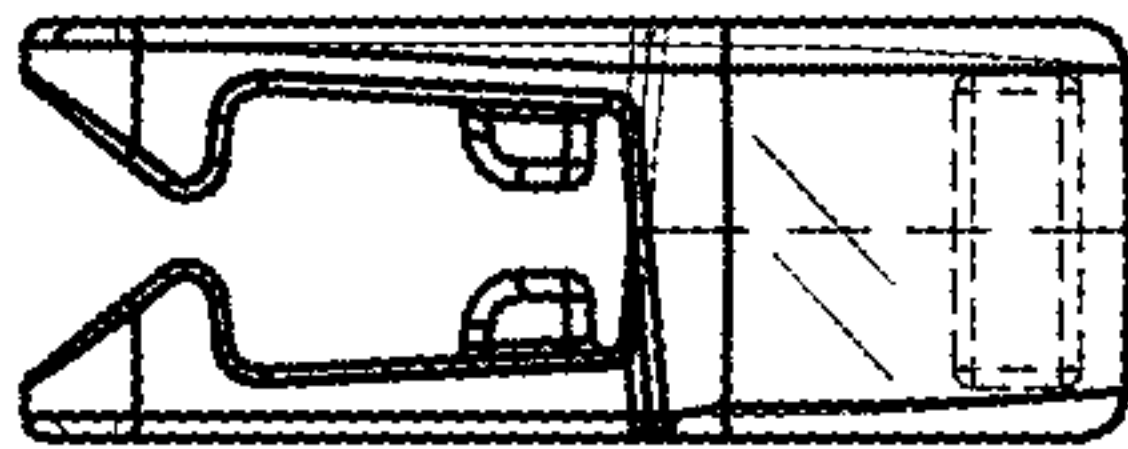


FIG. 16