



US00D832349S

(12) **United States Design Patent** (10) **Patent No.:** **US D832,349 S**  
**Csokmay** (45) **Date of Patent:** **\*\* Oct. 30, 2018**

(54) **BALLPOINT PEN**

(71) Applicant: **The Berea Hardwoods Co., Inc.**,  
Middleburg Heights, OH (US)  
(72) Inventor: **Joseph M. Csokmay**, Parma, OH (US)  
(73) Assignee: **The Berea Hardwoods Co., Inc.**,  
Middleburg Heights, OH (US)

(\*\*) Term: **15 Years**

(21) Appl. No.: **29/595,923**

(22) Filed: **Mar. 3, 2017**

(51) **LOC (11) Cl.** ..... **19-06**

(52) **U.S. Cl.**  
USPC ..... **D19/196**

(58) **Field of Classification Search**  
USPC ..... D19/196, 187, 179, 177, 176, 175, 173,  
D19/169, 153, 117, 113, 164  
CPC ..... B43K 24/03; B43K 23/12; B43K 23/001;  
G09B 5/04; G06F 3/03545  
See application file for complete search history.

(56) **References Cited**

**U.S. PATENT DOCUMENTS**

D9,256 S *	5/1876	Savage	.....	D11/81
D59,052 S *	9/1921	Lund	.....	D19/151
1,468,562 A *	9/1923	Gilman, Jr.	.....	B43K 25/02
				24/11 F
1,649,142 A *	11/1927	Thornblad	.....	B43K 29/0875
				235/117 A
D472,923 S *	4/2003	Wang	.....	D19/164
D556,825 S *	12/2007	Bruzzi	.....	D19/168
D608,615 S *	1/2010	Knight	.....	D8/76
D628,633 S *	12/2010	Zhang	.....	D19/164
D678,942 S *	3/2013	Yuan	.....	D19/163
D771,188 S *	11/2016	Csokmay	.....	D19/170

**OTHER PUBLICATIONS**

Fireman's Ball Point Pen posted by Berea posted date Feb. 20, 2017, © Amazon, [online], [site visited Mar. 1, 2018]. Available from Internet, [https://www.amazon.com/Firemans-Ballpoint-Gunmetal-Wooturning-Project/dp/B06WP9Z2Q3/ref=sr\\_1\\_1?shi&ie=UTF8&qid=1519940272&sr=1-1&keywords=fireman+pen](https://www.amazon.com/Firemans-Ballpoint-Gunmetal-Wooturning-Project/dp/B06WP9Z2Q3/ref=sr_1_1?shi&ie=UTF8&qid=1519940272&sr=1-1&keywords=fireman+pen) (Year: 2017).\*  
Fireman's Pen posted by Fireengines posted date Nov. 12, 2016, © International Association of Penturners, [online], [site visited Mar. 1, 2018]. Available from Internet, <http://www.penturners.org/forum/f13/firemans-pen-144544/> (Year: 2016).\*  
File Mar posted by Woodcraft 505 posted date Mar. 1, 2017, © YouTube, [online], [site visited Mar. 1, 2018]. Available from Internet, <https://www.youtube.com/watch?v=7YGevPkVmZo&t=17s> (Year: 2017).\*

\* cited by examiner

*Primary Examiner* — Cynthia Ramirez

*Assistant Examiner* — Laura H Yu

(74) *Attorney, Agent, or Firm* — Sand & Sebolt

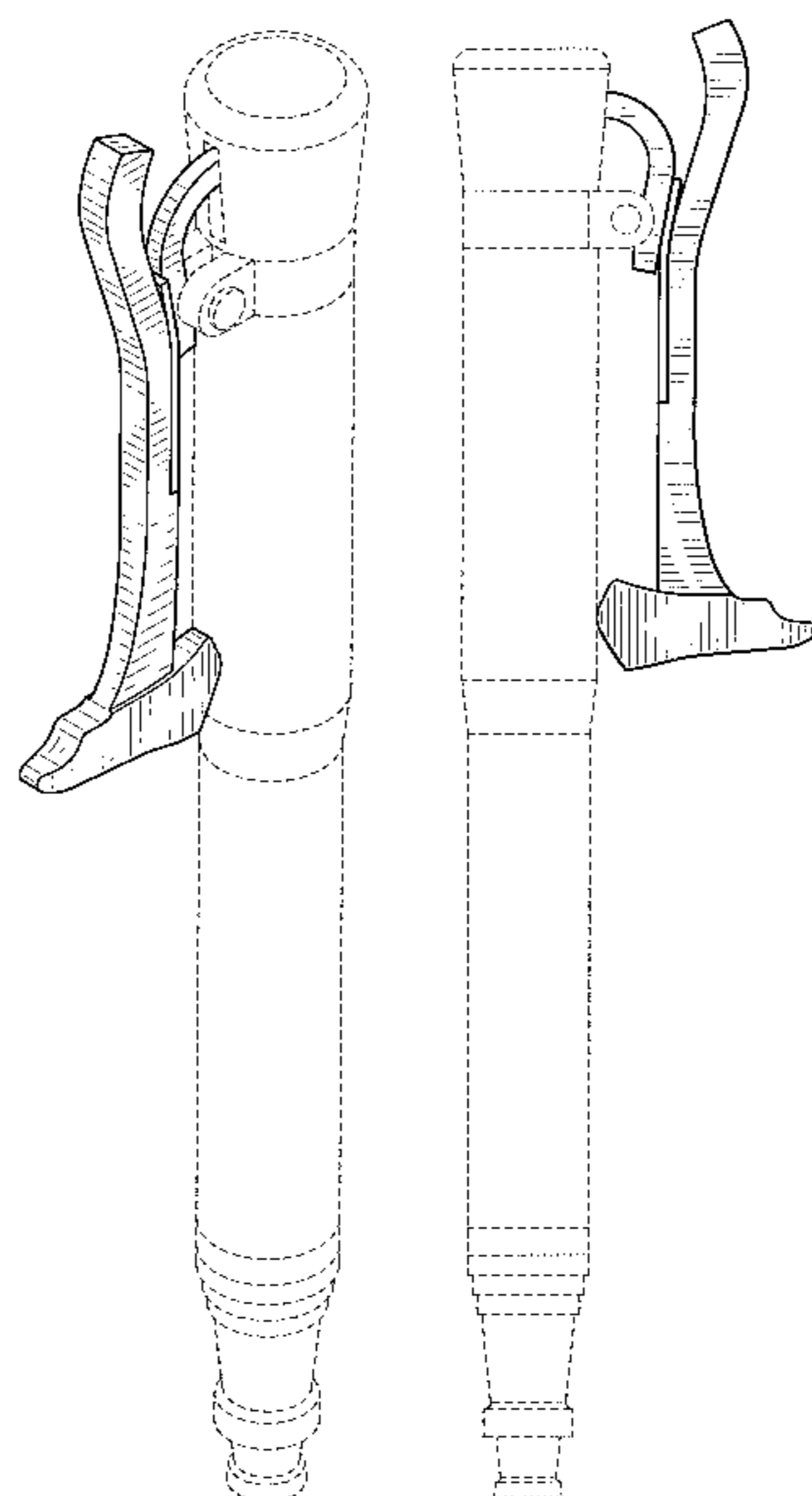
(57) **CLAIM**

The ornamental design for a ballpoint pen, as shown and described.

**DESCRIPTION**

FIG. 1 is a perspective view of a ballpoint pen showing my new design;  
FIG. 2 is a front elevational view thereof;  
FIG. 3 is a back elevational view thereof;  
FIG. 4 is an enlarged top view thereof;  
FIG. 5 is an enlarged bottom view thereof;  
FIG. 6 is a right side elevational view thereof; and,  
FIG. 7 is a left side elevational view thereof.  
The broken lines illustrate portions of the ballpoint pen which form no part of the claimed design.

**1 Claim, 4 Drawing Sheets**



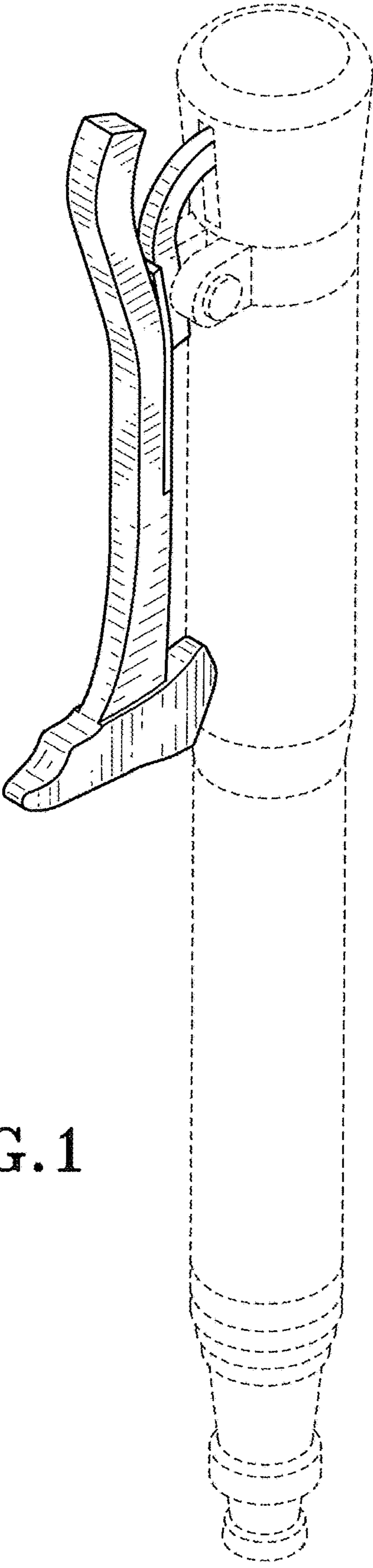


FIG. 1

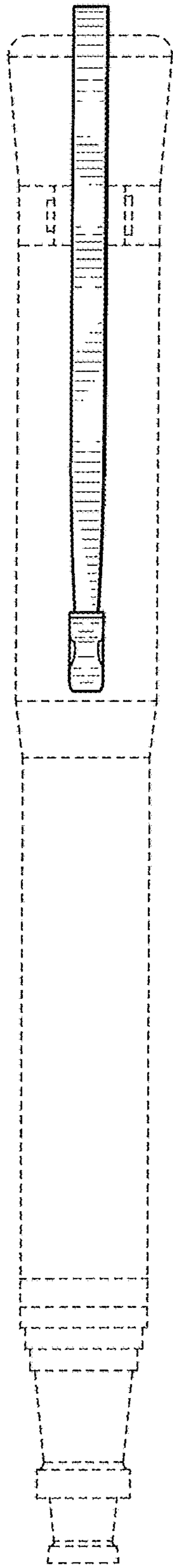


FIG. 2

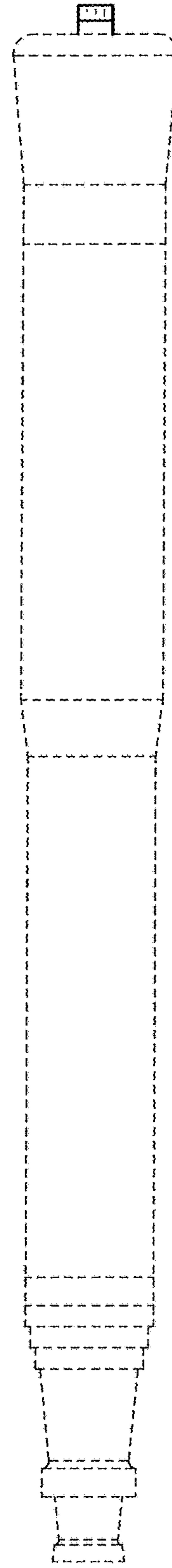


FIG. 3

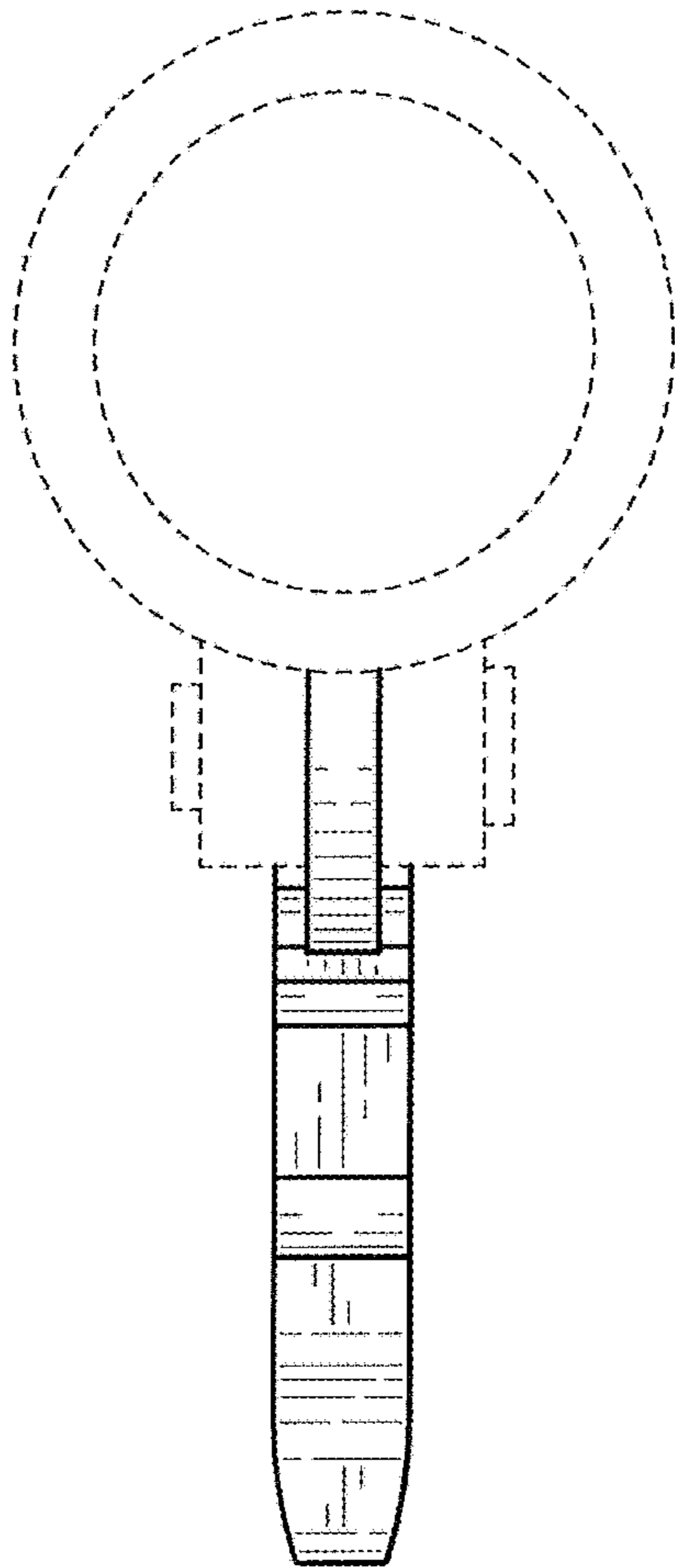


FIG. 4

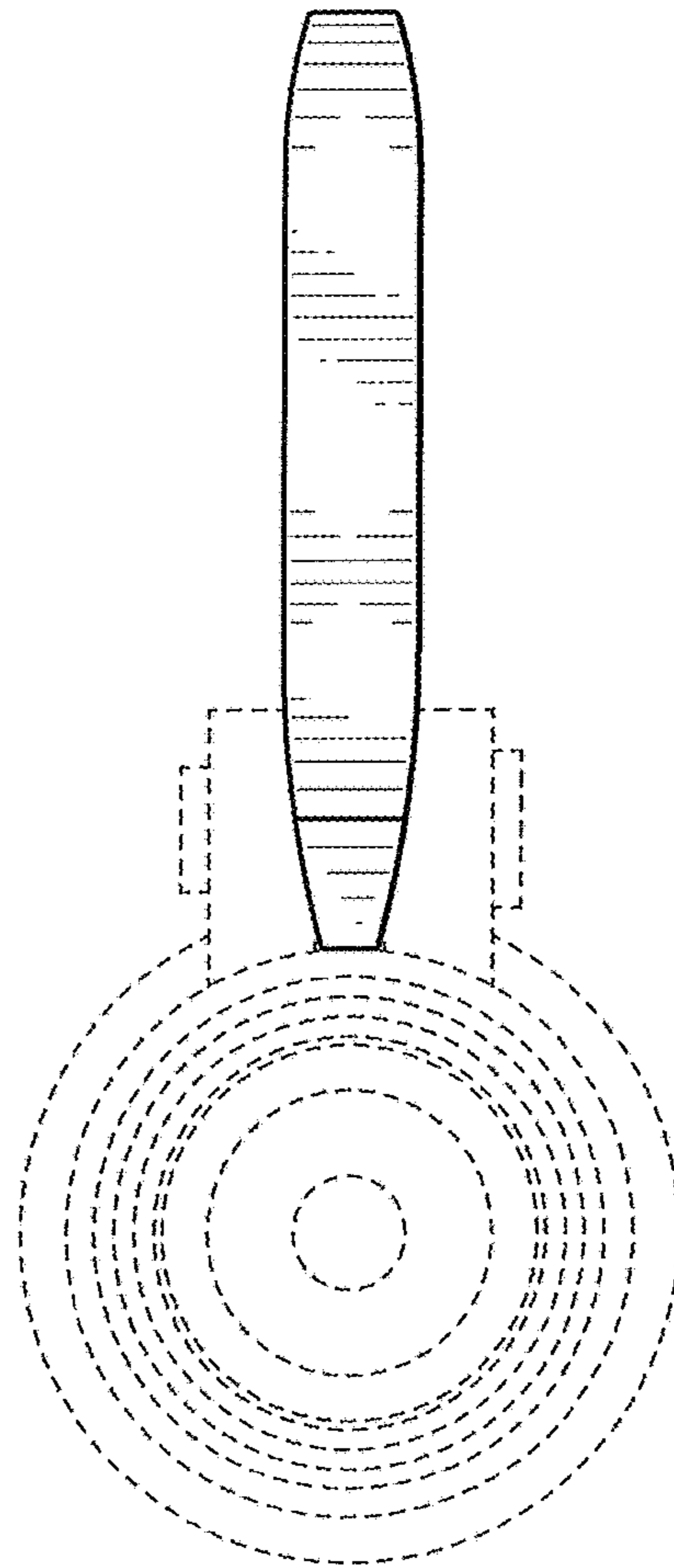


FIG. 5

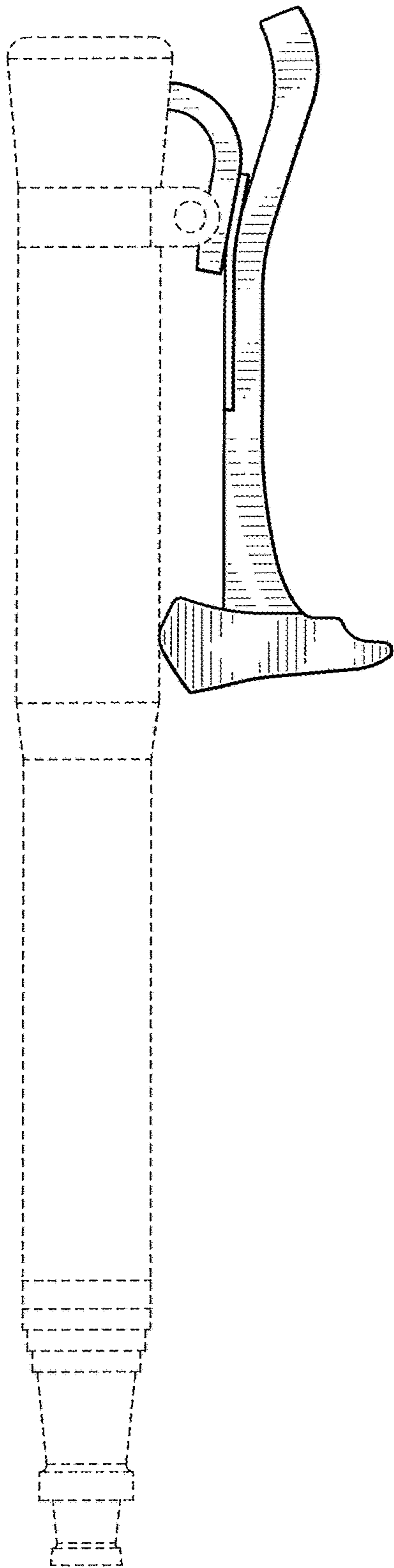


FIG. 6

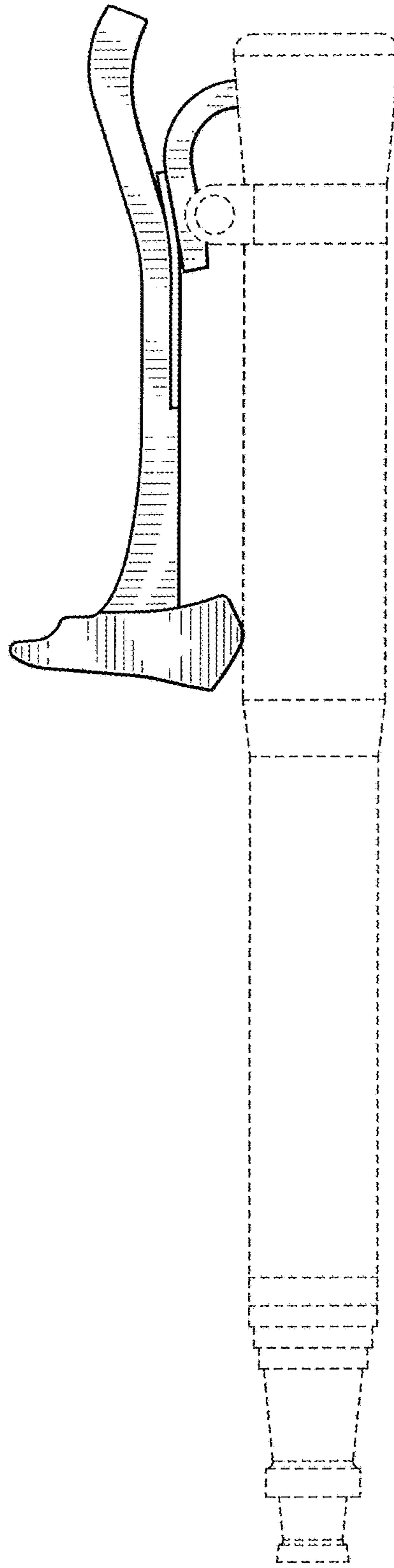


FIG. 7