



US00D832348S

(12) **United States Design Patent**
Iwao

(10) **Patent No.:** **US D832,348 S**

(45) **Date of Patent:** **** Oct. 30, 2018**

(54) **BALLPOINT PEN**

(71) Applicant: **KABUSHIKI KAISHA PILOT CORPORATION**, Chuo-ku, Tokyo (JP)

(72) Inventor: **Genki Iwao**, Tokyo (JP)

(73) Assignee: **KABUSHIKI KAISHA PILOT CORPORATION**, Chuo-ku, Tokyo (JP)

(**) Term: **15 Years**

(21) Appl. No.: **29/579,021**

(22) Filed: **Sep. 27, 2016**

(30) **Foreign Application Priority Data**

Apr. 1, 2016 (JP) 2016-007359

(51) **LOC (11) Cl.** **19-06**

(52) **U.S. Cl.**
USPC **D19/171; D19/905; D19/923**

(58) **Field of Classification Search**
USPC D14/411, 431; D19/115–204, 108
CPC . B43K 7/00; B43K 7/005; B43K 7/12; B43K 8/04; B43K 8/06; B43K 19/00; B43K 19/02; B43K 19/14; B43K 21/006; B43K 21/06; B43K 23/06; B43K 24/08
See application file for complete search history.

(56) **References Cited**

U.S. PATENT DOCUMENTS

2,692,580 A * 10/1954 Kahn B43K 24/08
30/162
2,800,883 A * 7/1957 Sams B43K 24/08
401/104
D205,872 S * 9/1966 Parker D19/201
3,453,694 A * 7/1969 Hechtle B43K 25/02
24/11 F

D215,768 S * 10/1969 Horie D19/184
D243,014 S * 1/1977 Wittnebert D19/186
D260,531 S * 9/1981 Della Beffa D19/163
D361,783 S * 8/1995 Wei D19/173
D416,577 S * 11/1999 Andrews D19/174
D422,024 S * 3/2000 Andrews D19/168
D423,579 S * 4/2000 Andrews D19/174
D427,633 S * 7/2000 Pellisa Beneyto D19/174
D462,716 S * 9/2002 Tsuchida 48/57
D604,362 S * 11/2009 Suero, Jr. D19/174
D612,425 S * 3/2010 Suero, Jr. D19/171
D648,789 S * 11/2011 Shibata D19/172
D648,790 S * 11/2011 Nakazawa D19/171
D670,761 S * 11/2012 Fleming D19/173
D685,849 S * 7/2013 Hern D19/174
D692,486 S * 10/2013 Casciotti D19/199
D698,390 S * 1/2014 Shimizu D19/179

* cited by examiner

Primary Examiner — Elizabeth A. Albert

(74) *Attorney, Agent, or Firm* — Sughrue Mion, PLLC

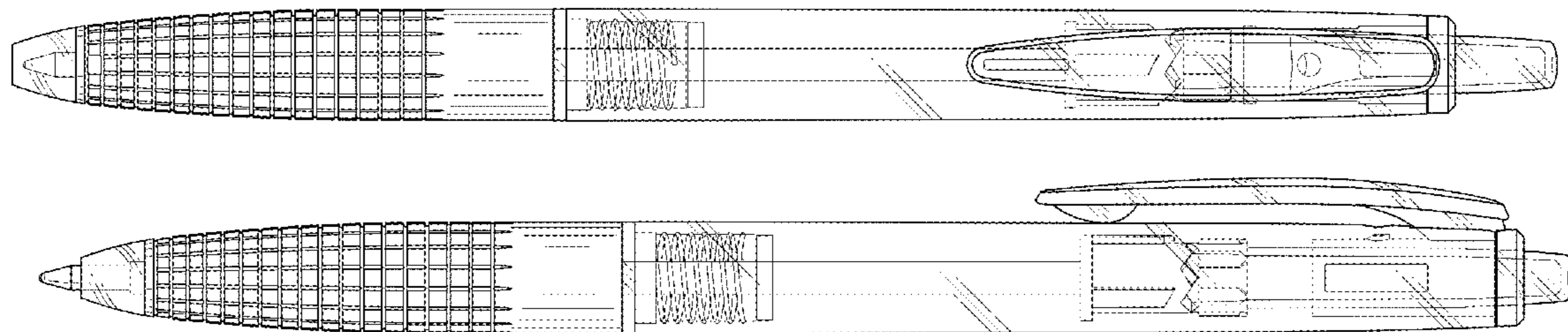
(57) **CLAIM**

The ornamental design for a ballpoint pen, as shown and described.

DESCRIPTION

FIG. 1 is a perspective view of a ballpoint pen showing my new design;
FIG. 2 is a front view thereof;
FIG. 3 is a rear view thereof;
FIG. 4 is a left side view thereof;
FIG. 5 is a right side view thereof;
FIG. 6 is a top view thereof;
FIG. 7 is a bottom view thereof; and,
FIG. 8 is a front view thereof, with the writing tip shown in an extended position.

1 Claim, 4 Drawing Sheets



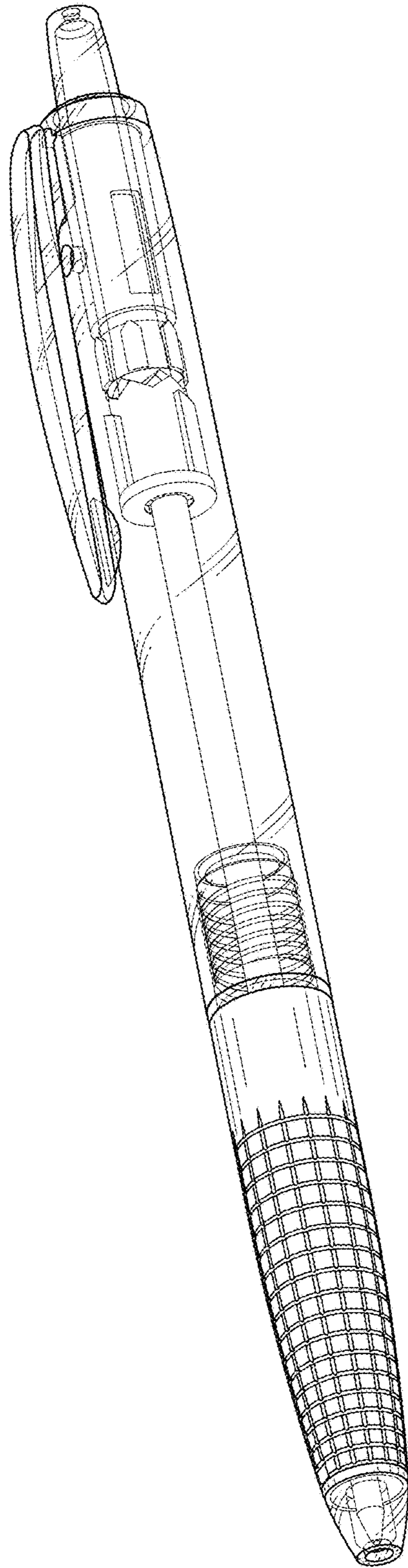


FIG. 1

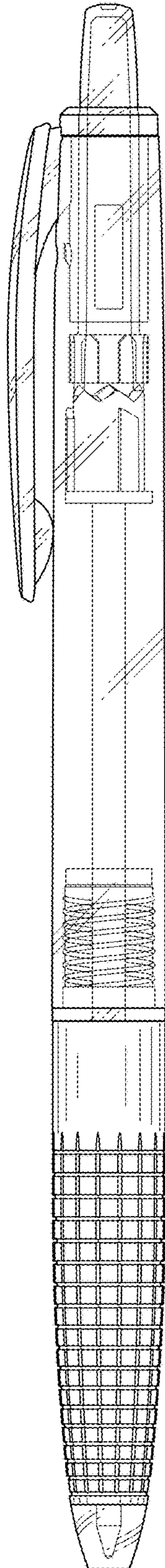


FIG. 2

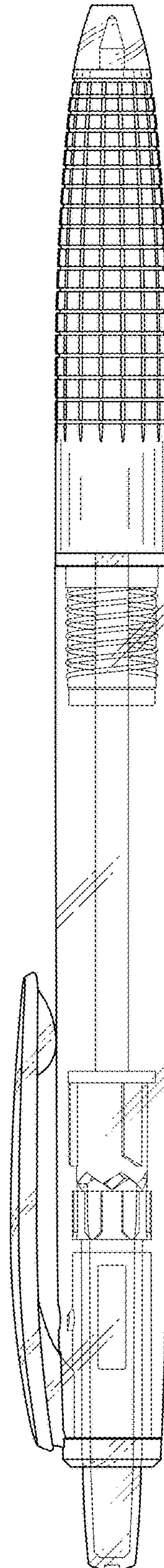


FIG. 3

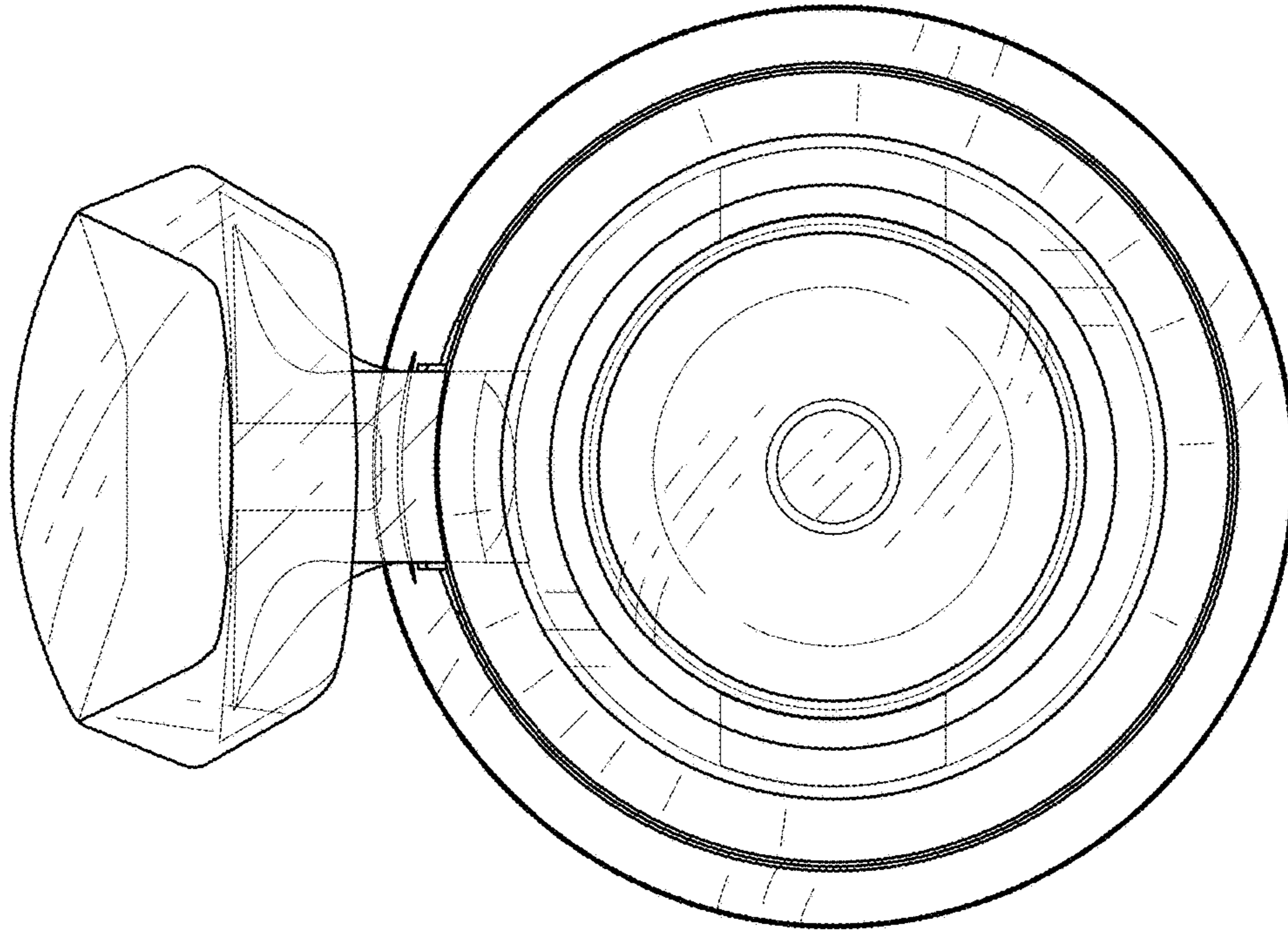


FIG. 5

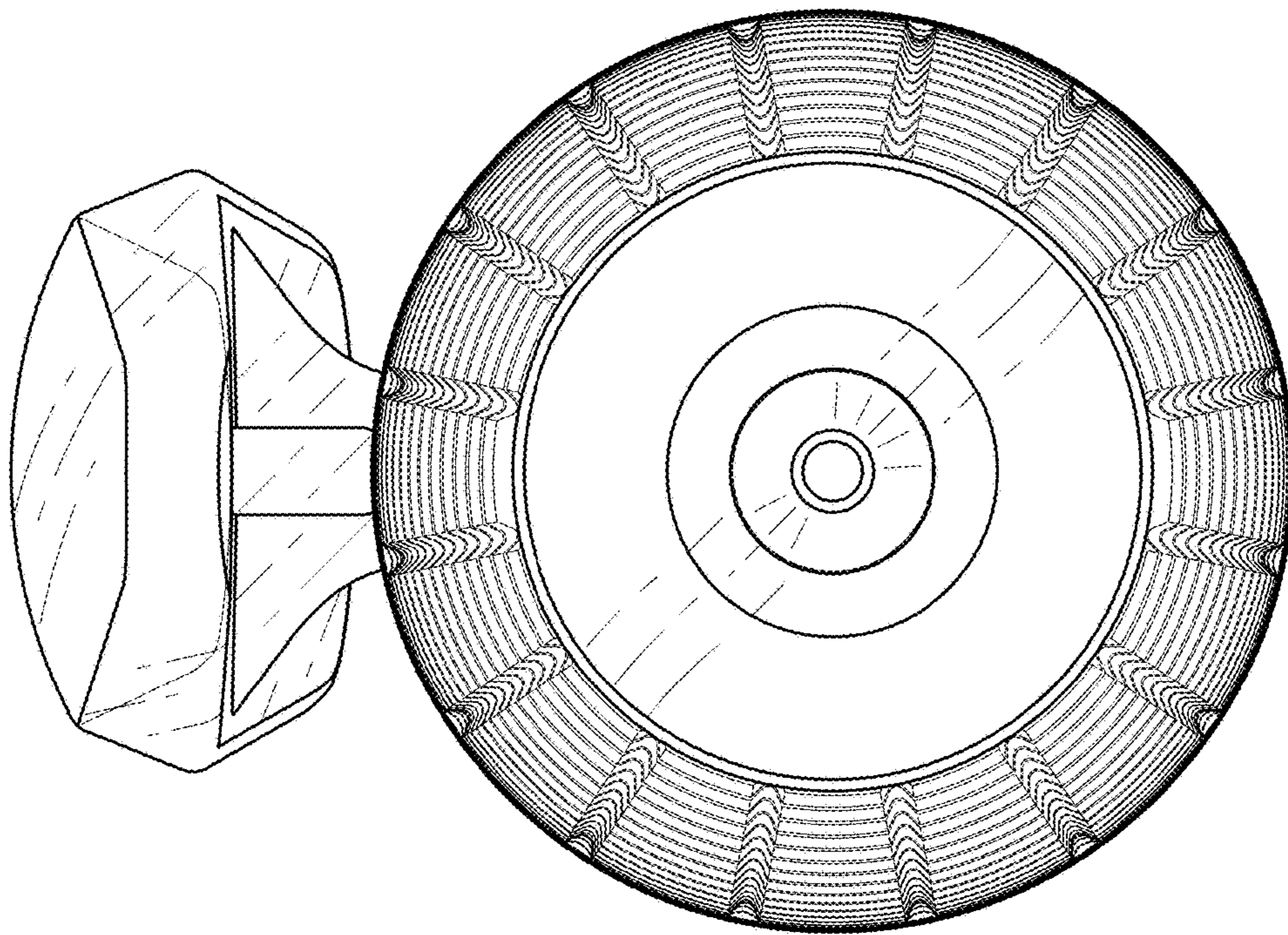


FIG. 4

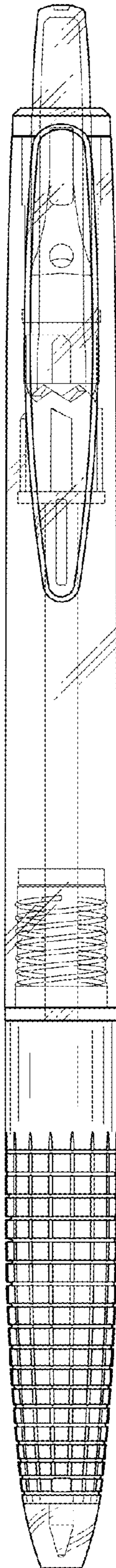


FIG. 6

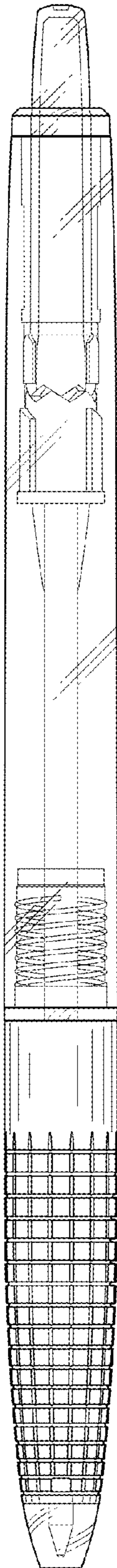


FIG. 7

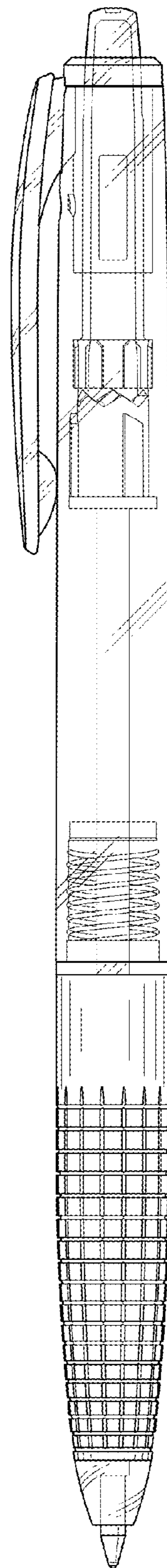


FIG. 8