



US00D832347S

(12) **United States Design Patent**
Fillion

(10) **Patent No.:** **US D832,347 S**

(45) **Date of Patent:** **** Oct. 30, 2018**

- (54) **PEN HOLDER AND PENS**
- (71) Applicant: **Cumi Glass Fillion**, Valdosta, GA (US)
- (72) Inventor: **Cumi Glass Fillion**, Valdosta, GA (US)
- (**) Term: **15 Years**
- (21) Appl. No.: **29/620,356**
- (22) Filed: **Oct. 25, 2016**
- (51) **LOC (11) Cl.** **19-06**
- (52) **U.S. Cl.**
USPC **D19/135; D19/85**
- (58) **Field of Classification Search**
USPC **D19/75, 77-85, 115-204; D3/206;**
D8/395, 396
CPC **A45C 11/34; A45C 11/36; B43K 23/00;**
B43K 23/001; B43K 23/002; B43K
23/06; B43K 25/00
See application file for complete search history.

- 4,791,674 A * 12/1988 Drever H04R 1/08
381/368
- 4,837,899 A * 6/1989 Young A47L 9/248
24/16 R
- 5,366,444 A * 11/1994 Martin A61M 25/09041
242/405
- 5,395,018 A * 3/1995 Studdiford B62H 5/00
224/420
- 5,697,129 A * 12/1997 Newville B25F 1/02
24/339
- D417,141 S * 11/1999 Senninger D8/395
- D421,318 S * 2/2000 O'Brien D26/138
- D440,005 S * 4/2001 Blanton 24/16 R
- D508,842 S * 8/2005 Paolini D8/395
- D522,352 S * 6/2006 Van Straaten D8/395
- D526,188 S * 8/2006 Minor D8/354
- D560,482 S * 1/2008 Casteel D8/395
- D587,564 S * 3/2009 Kodi D8/354
- D631,740 S * 2/2011 Wood D8/396
- D672,004 S * 12/2012 Stracener D22/108
- D704,769 S * 5/2014 Penington D19/81
- D732,009 S * 6/2015 Bak D14/229
- D739,853 S * 9/2015 Lee D14/253
- 2008/0025784 A1 * 1/2008 Mueller B43K 23/004
401/34

(56) **References Cited**

U.S. PATENT DOCUMENTS

- D121,364 S * 7/1940 Butts D25/68
- 2,510,302 A * 6/1950 White B43K 23/001
33/27.01
- 3,075,498 A * 1/1963 Udcoff B43L 15/00
15/443
- D211,905 S * 8/1968 Goodridge D25/68
- D267,231 S * 12/1982 Guem, Jr. D21/775
- 4,407,472 A * 10/1983 Beck A62C 33/04
24/339
- 4,476,673 A * 10/1984 Brown F16G 15/06
411/121
- 4,707,892 A * 11/1987 Nelson A01K 97/08
24/336
- D295,724 S * 5/1988 Shioda D8/380

* cited by examiner

Primary Examiner — Elizabeth A. Albert

(57) **CLAIM**

The ornamental design for a pen holder and pens, as shown and described.

DESCRIPTION

FIG. 1 is a side view of a pen holder and pens showing my new design;

FIG. 2 is a bottom plan view thereof; and,

FIG. 3 is a top perspective view thereof.

1 Claim, 1 Drawing Sheet





FIG 1

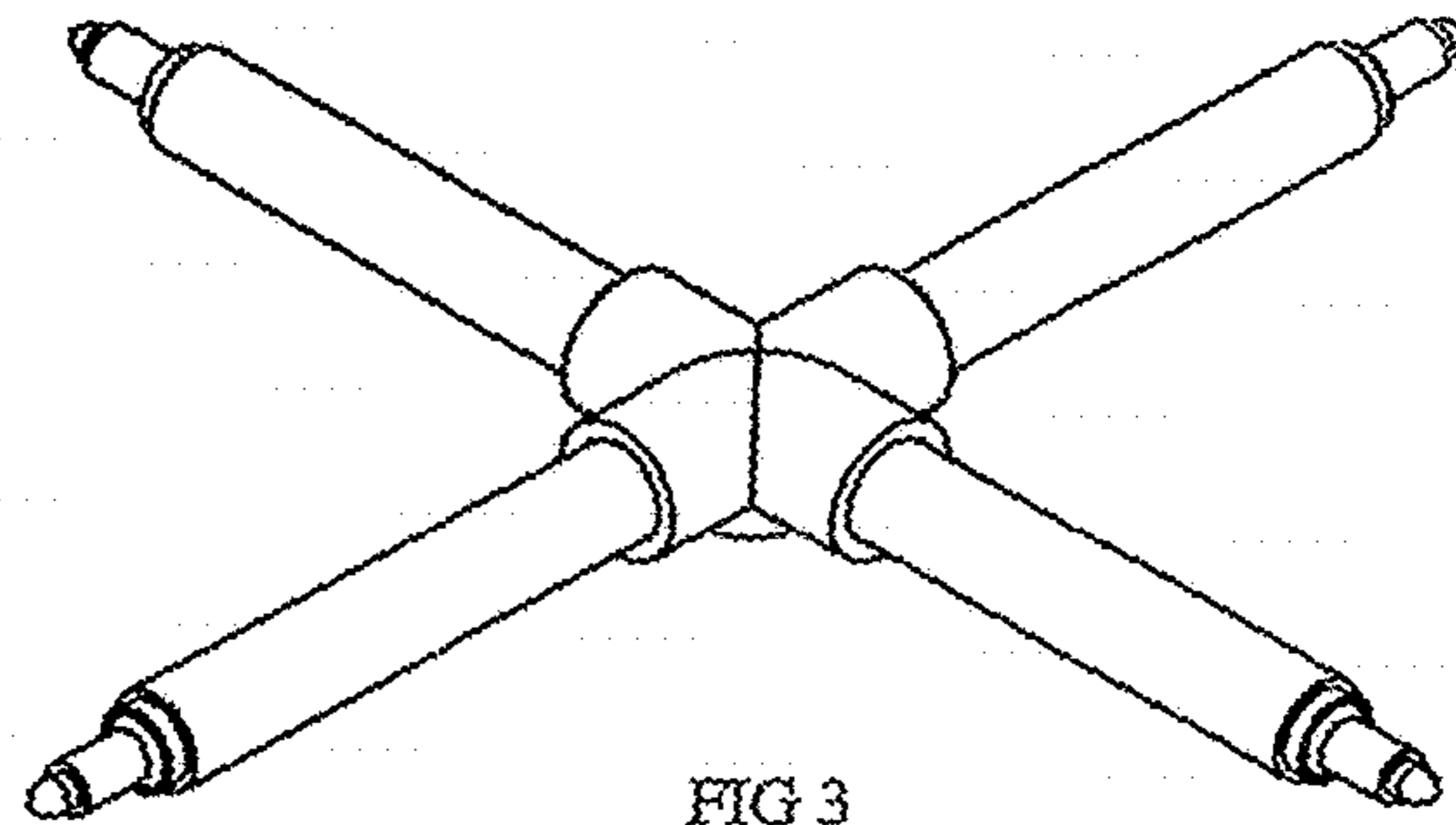


FIG 3

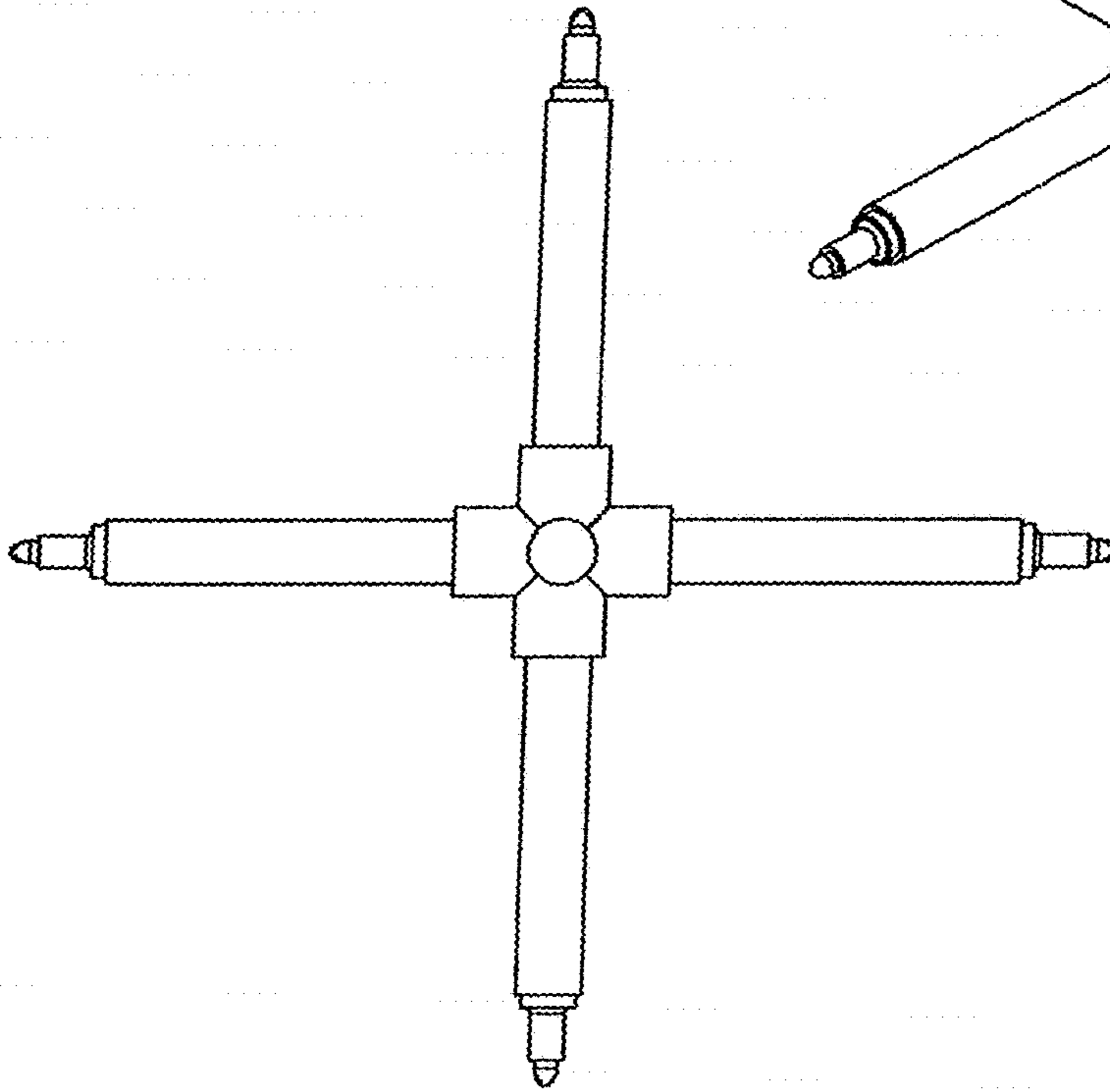


FIG 2