



US00D832341S

(12) **United States Design Patent**
Brown et al.

(10) **Patent No.:** **US D832,341 S**
(45) **Date of Patent:** **** Oct. 30, 2018**

- (54) **MULTIFUNCTION PRINTING MACHINE**
- (71) Applicant: **XEROX CORPORATION**, Norwalk, CT (US)
- (72) Inventors: **Donald A Brown**, Honeoye Falls, NY (US); **Megumi Okubo**, Kanagawa (JP)
- (73) Assignee: **XEROX CORPORATION**, Norwalk, CT (US)

D758,486 S *	6/2016	Nakagawa	D18/55
D769,965 S *	10/2016	Clark, III	D18/55
D782,568 S *	3/2017	Nishimura	D18/55
D800,123 S *	10/2017	Tashima	D14/421
D807,426 S *	1/2018	Brown	D18/50
D807,428 S *	1/2018	Brown	D18/55
D819,124 S *	5/2018	Brown	D18/55
D820,907 S *	6/2018	Brown	D18/53
D822,103 S *	7/2018	Mita	D18/55
2018/0101114 A1 *	4/2018	Takeuchi	G03G 21/1633

* cited by examiner

(**) Term: **15 Years**

Primary Examiner — Robin V Webster

Assistant Examiner — J. Thorn, Sr.

(21) Appl. No.: **29/594,006**

(22) Filed: **Feb. 14, 2017**

(57) **CLAIM**

(51) **LOC (11) Cl.** **14-02**

The ornamental design for a multifunction printing machine, as shown and described.

(52) **U.S. Cl.**

USPC **D18/50; D18/55**

DESCRIPTION

(58) **Field of Classification Search**

USPC D18/50, 55, 36-37; D14/421; 347/3

CPC B41J 11/58; B41J 15/12; B41J 15/042;

G06K 15/12; G06K 15/14

See application file for complete search history.

FIG. 1 is a perspective view of a multifunction printing machine in accordance with the present invention;

FIG. 2 is a front view thereof;

FIG. 3 is a right side view thereof;

FIG. 4 is a rear view thereof;

FIG. 5 is a left side view thereof;

FIG. 6 is a top plan view thereof; and,

FIG. 7 is a bottom plan view thereof.

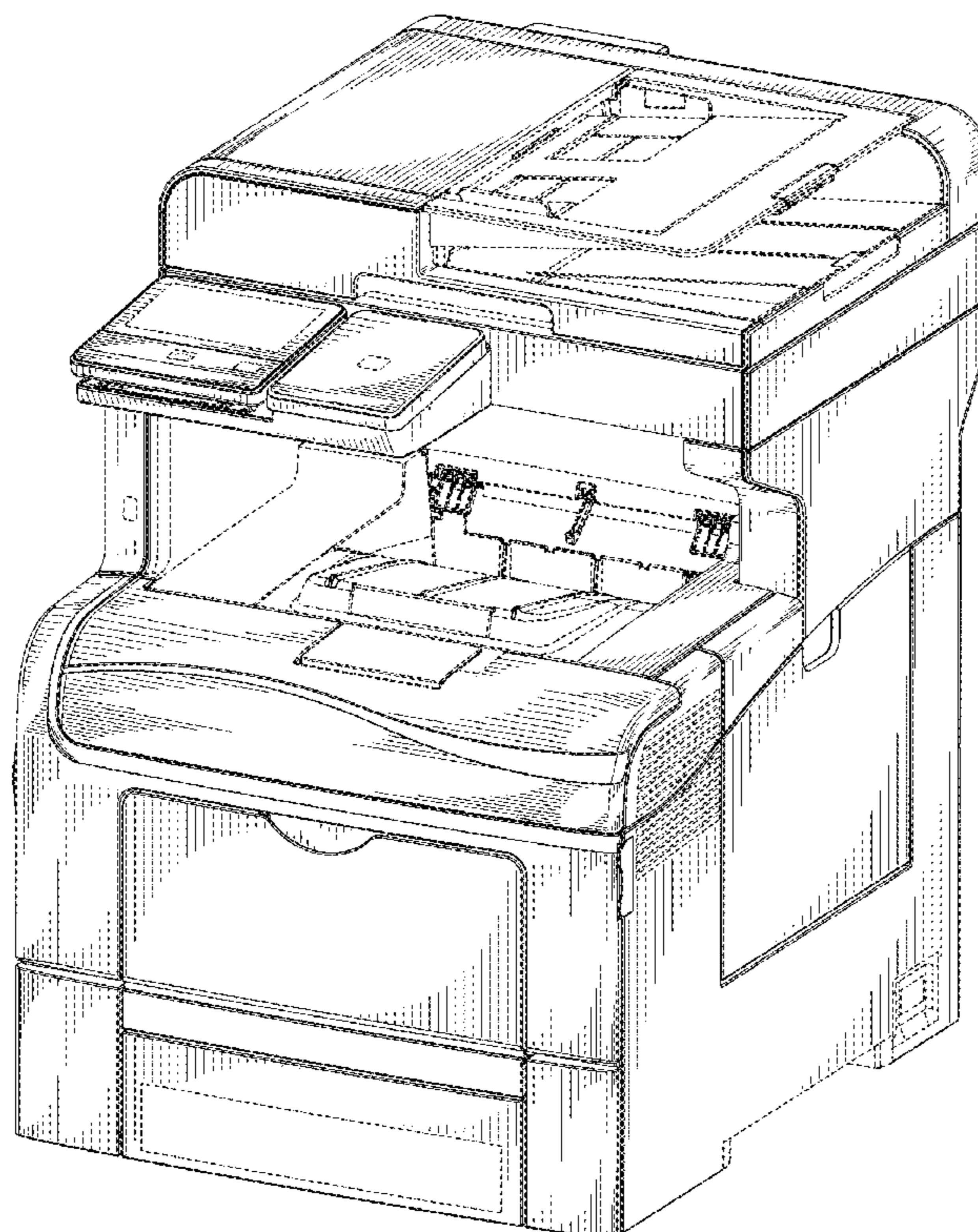
The broken lines in the drawings depict environmental subject matter, are for illustrative purposes only and form no part of the claimed design.

(56) **References Cited**

U.S. PATENT DOCUMENTS

8,391,746 B2 *	3/2013	Nishida	G03G 15/00 312/223.2
D697,967 S *	1/2014	Fukasawa	D18/55
D718,383 S *	11/2014	Lo	D18/55
D726,250 S *	4/2015	Kim	D18/55

1 Claim, 7 Drawing Sheets



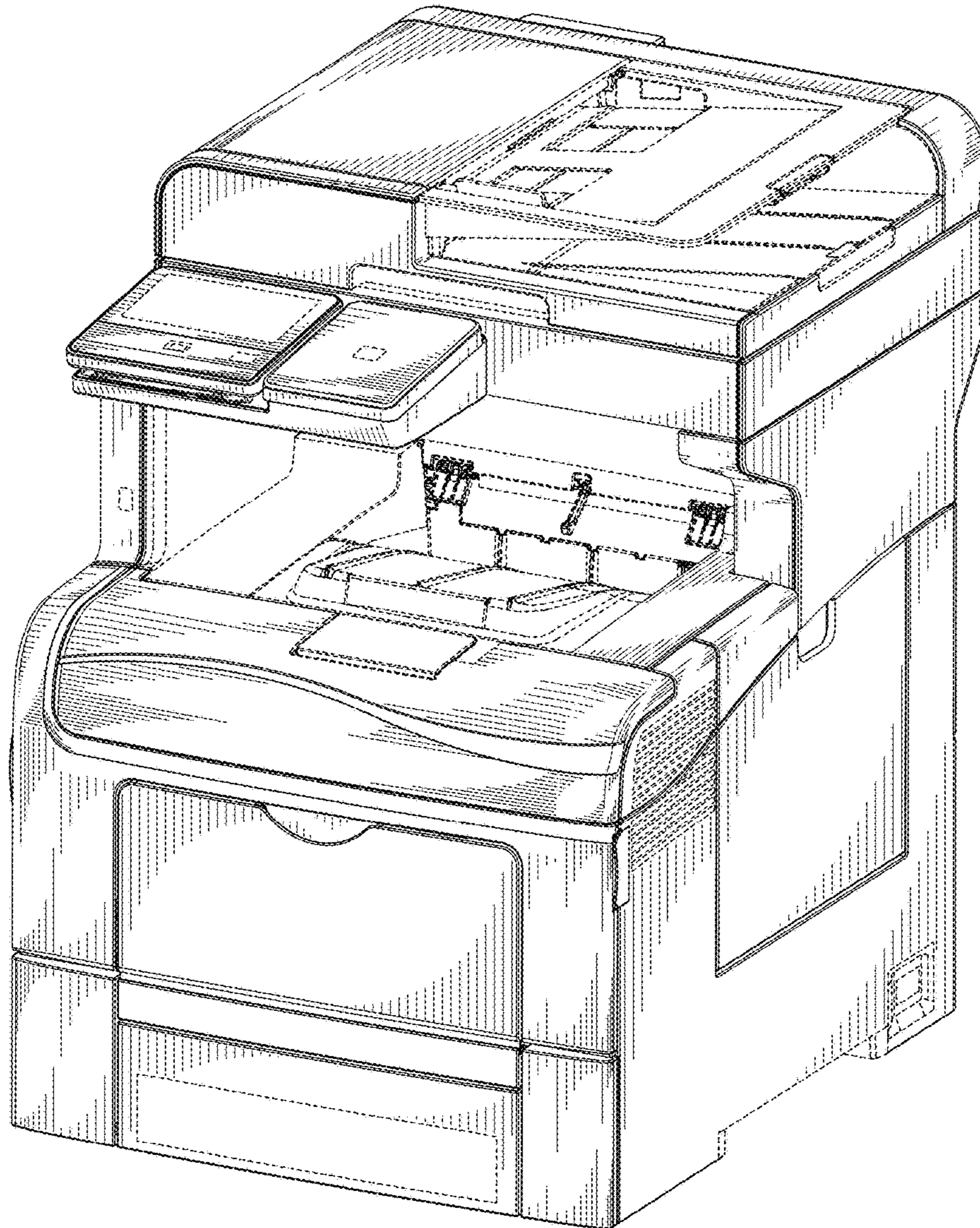


FIG. 1

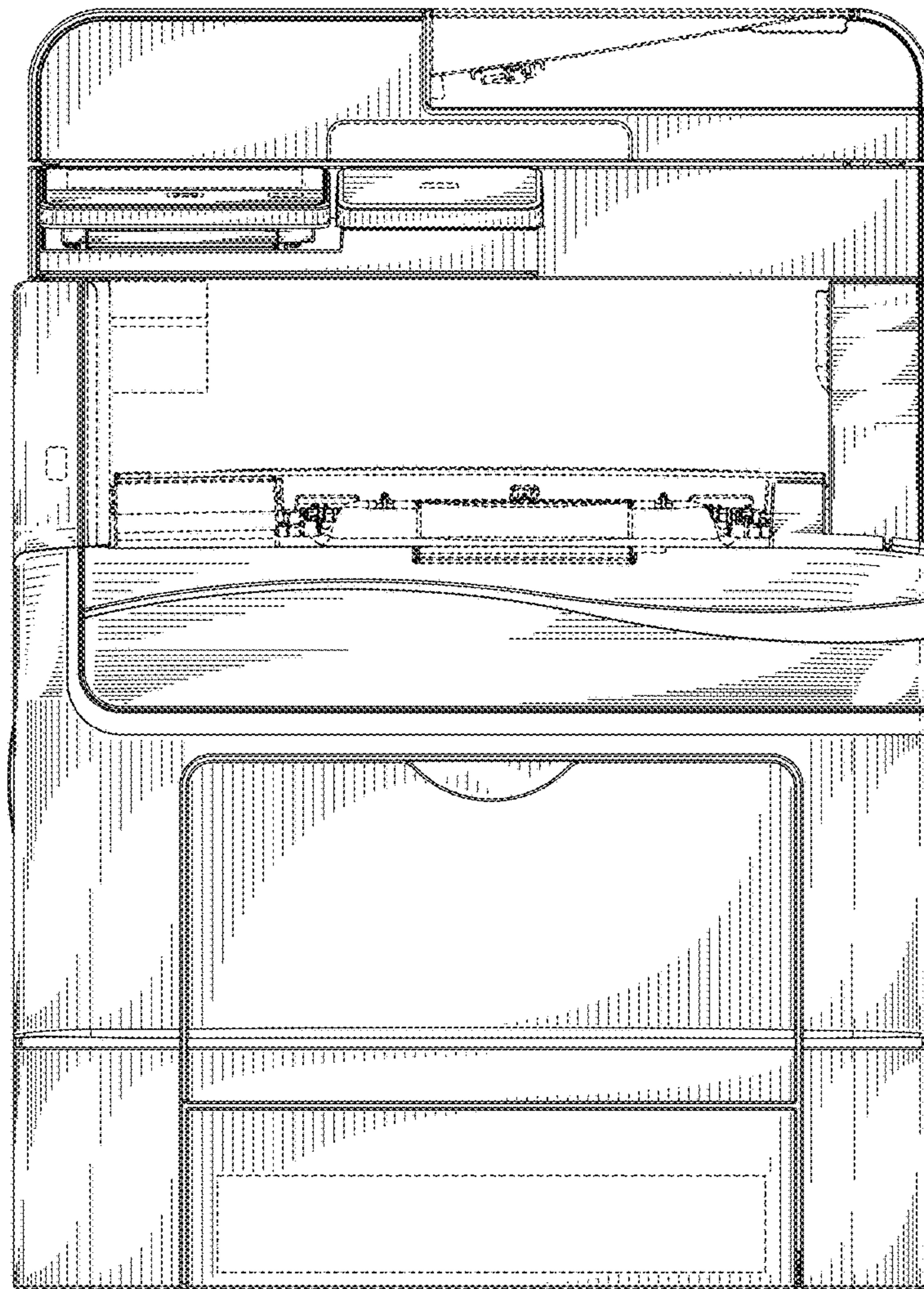


FIG. 2

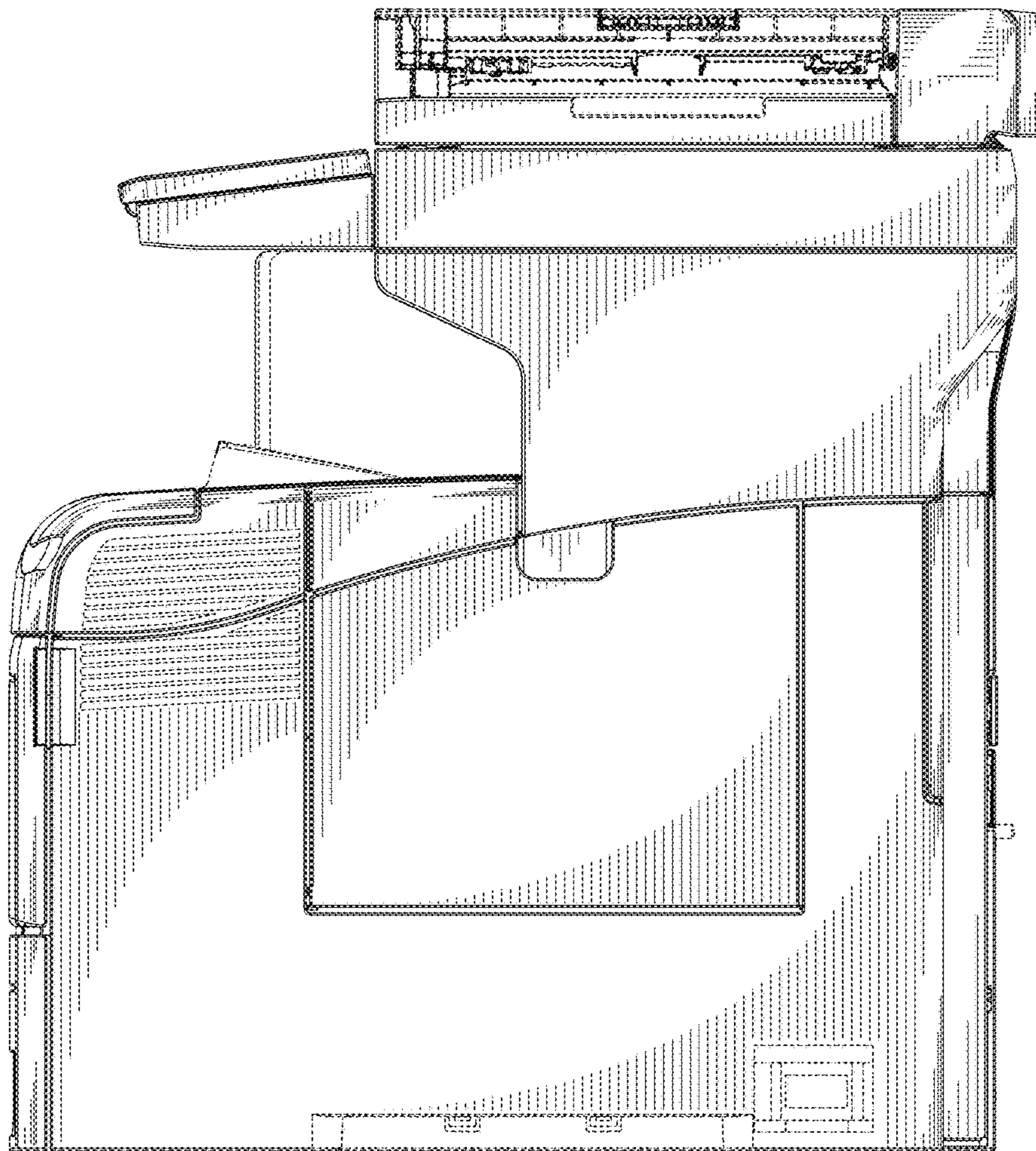


FIG. 3

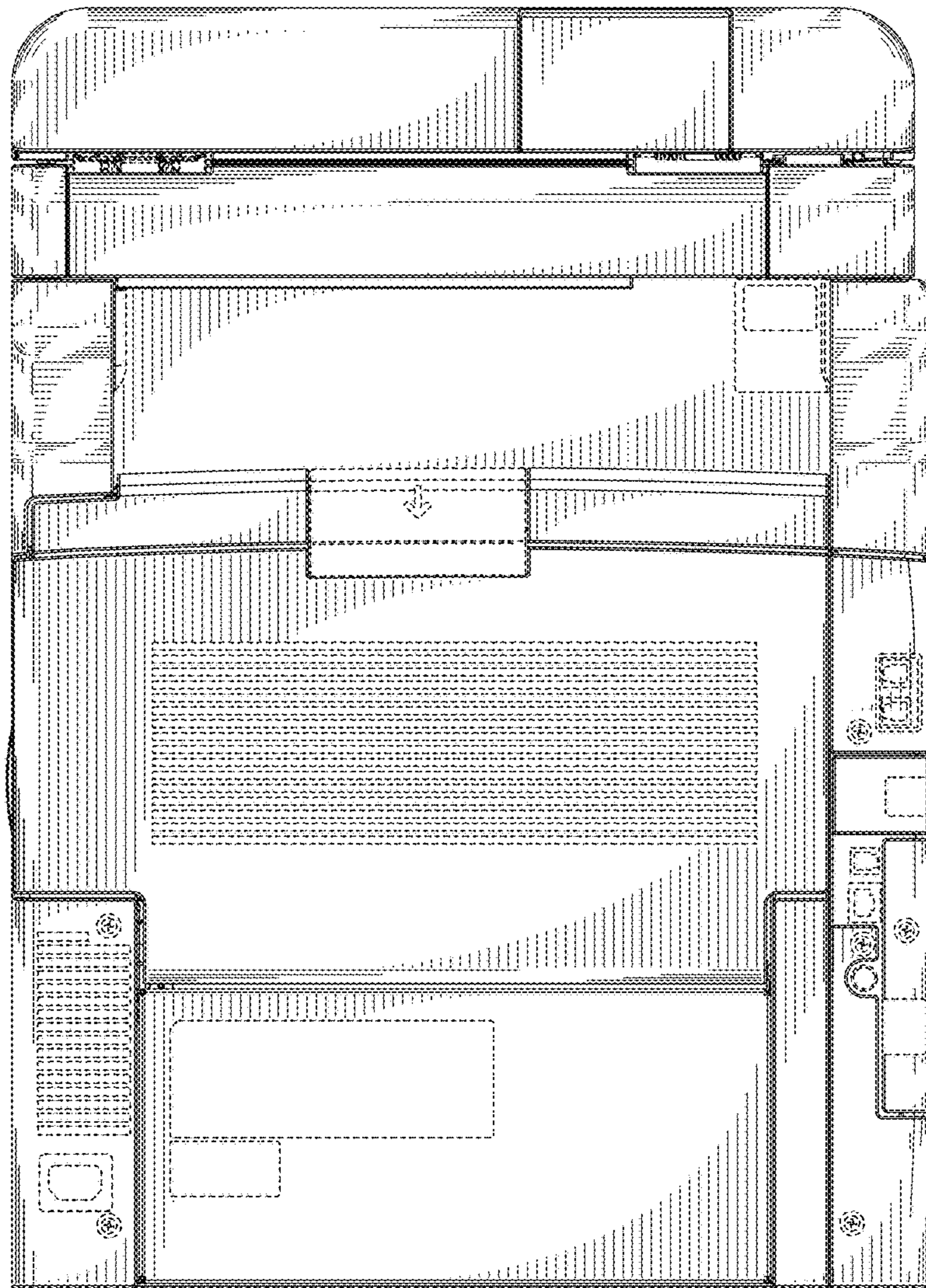


FIG. 4

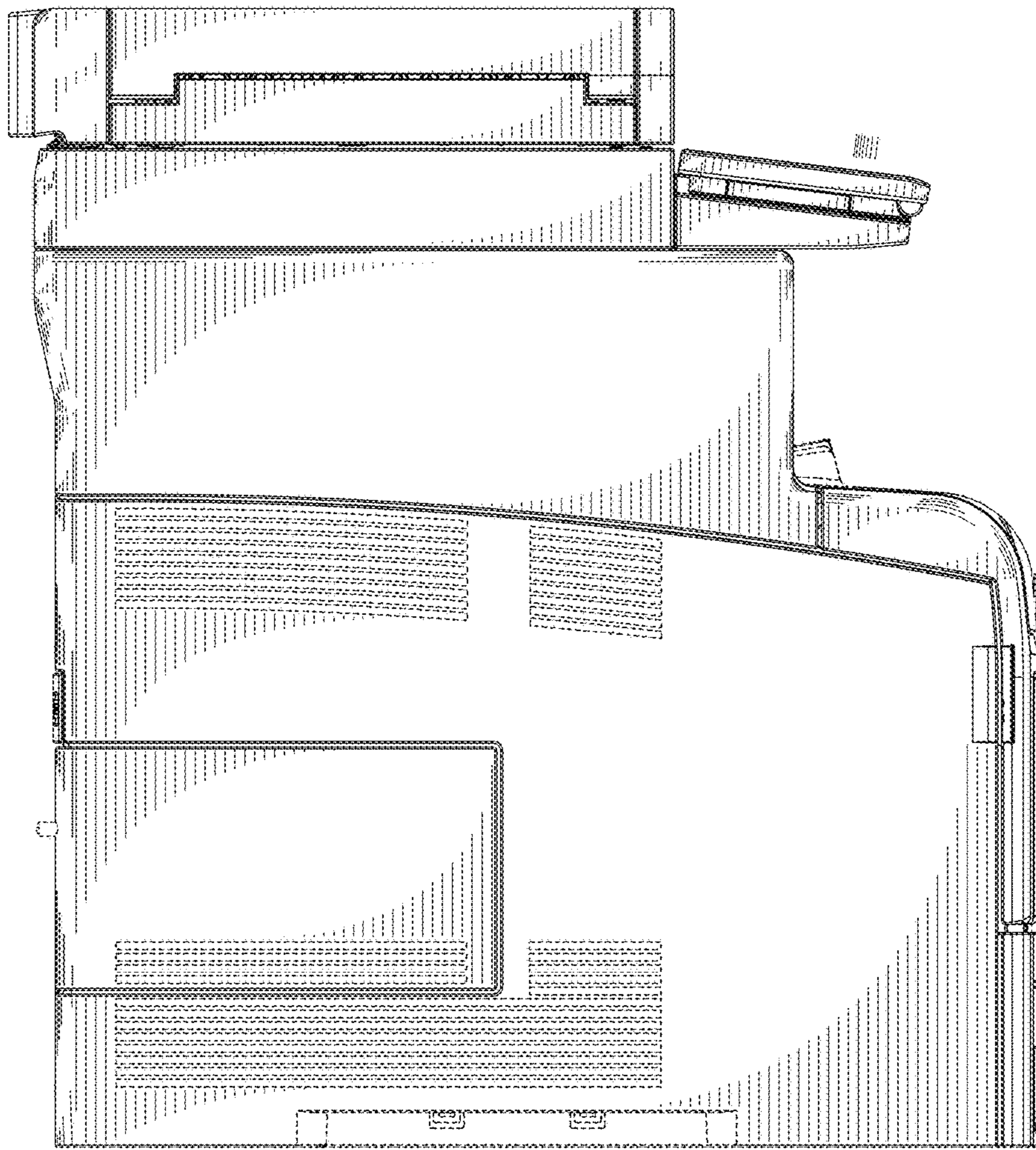


FIG. 5

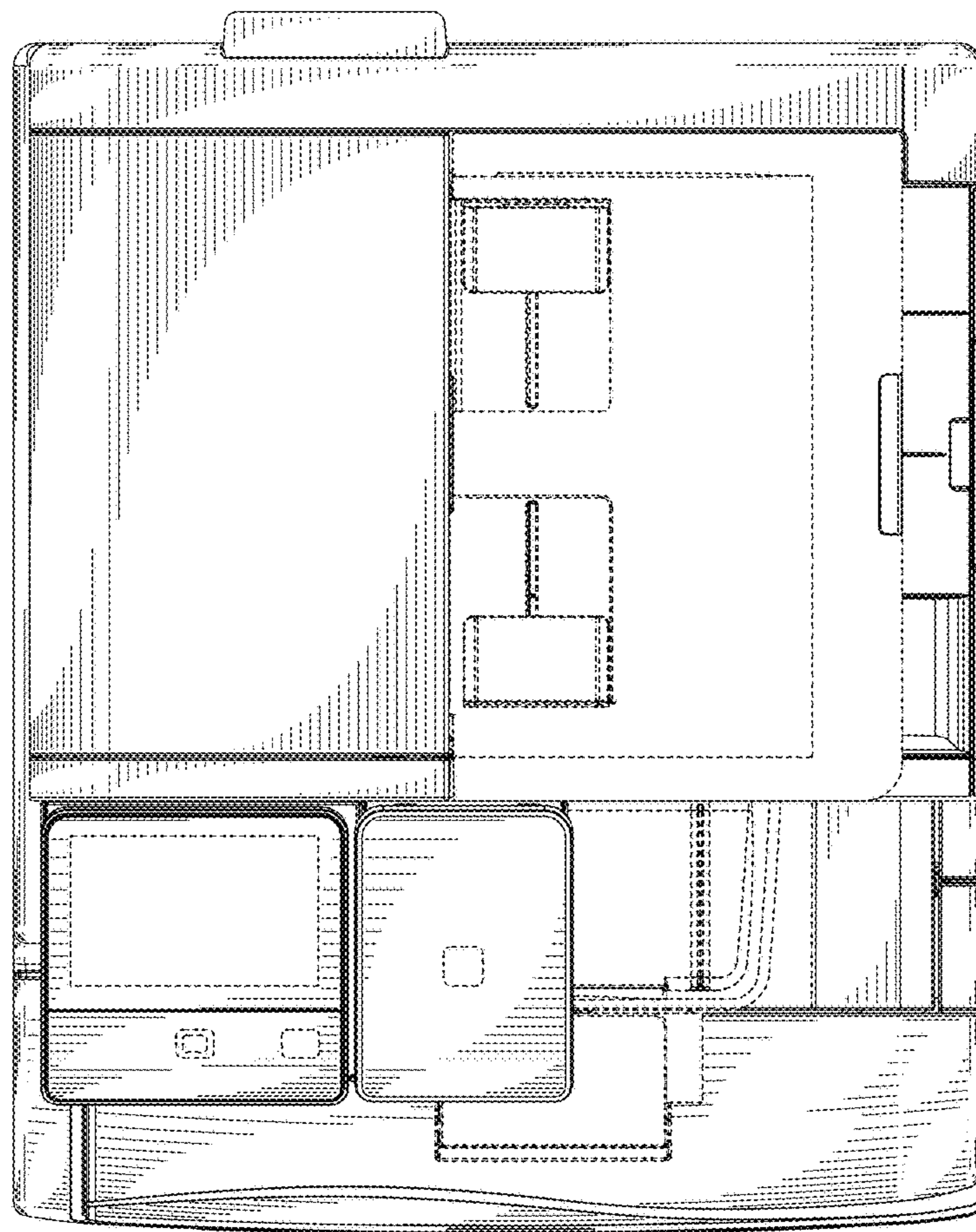


FIG. 6

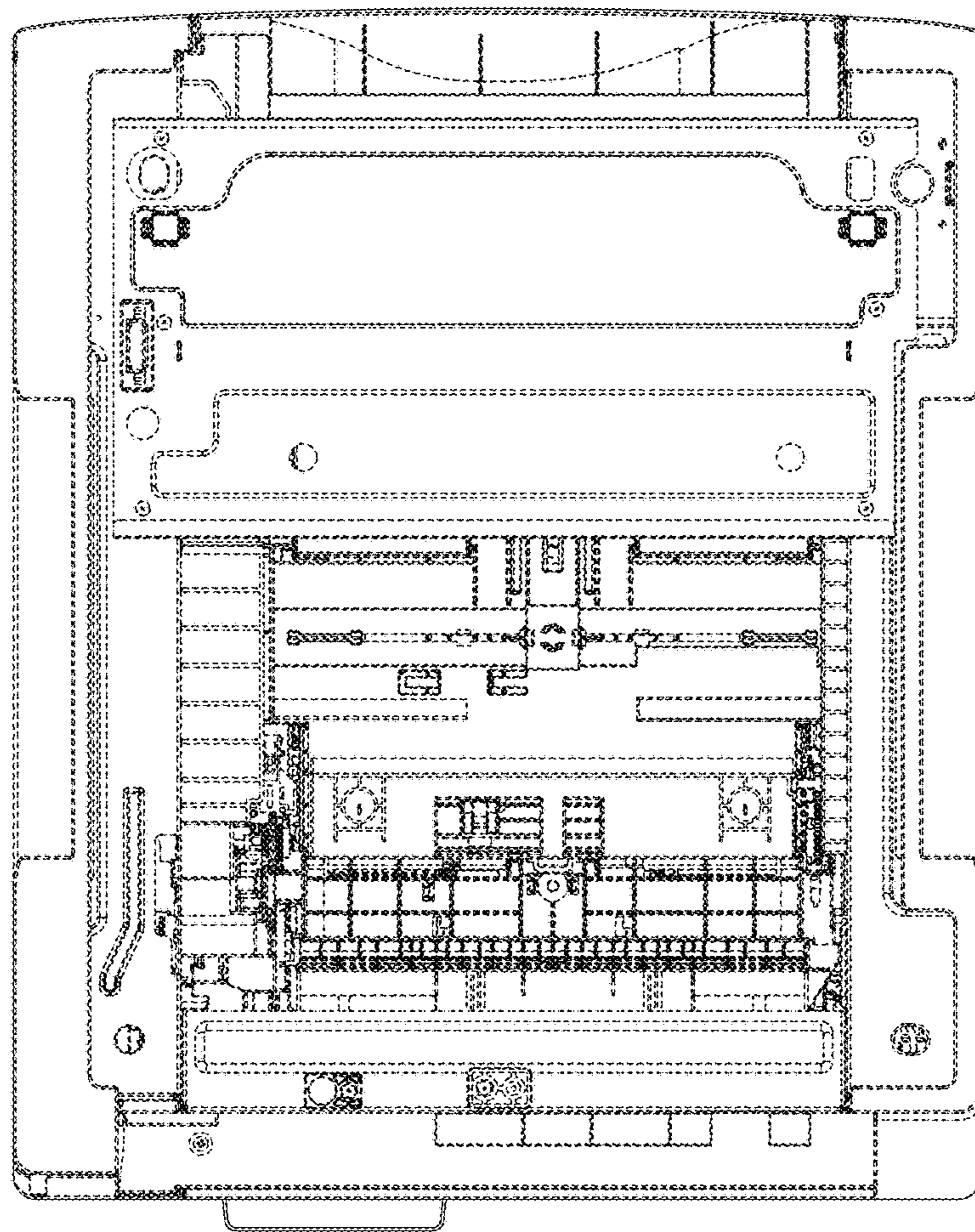


FIG. 7