



US00D832339S

(12) **United States Design Patent** (10) **Patent No.:** **US D832,339 S**
Toba et al. (45) **Date of Patent:** **** Oct. 30, 2018**

(54) **PROCESS CARTRIDGE FOR IMAGE FORMING APPARATUS**

(71) Applicant: **Canon Kabushiki Kaisha**, Ohta-ku, Tokyo (JP)
(72) Inventors: **Shinjiro Toba**, Yokohama (JP); **Masanari Morioka**, Yokohama (JP); **Tetsushi Uneme**, Kawasaki (JP); **Yuichi Fukui**, Yokosuka (JP)
(73) Assignee: **Canon Kabushiki Kaisha**, Tokyo (JP)

(**) Term: **15 Years**
(21) Appl. No.: **29/586,991**
(22) Filed: **Dec. 8, 2016**

Related U.S. Application Data

(62) Division of application No. 29/546,566, filed on Nov. 24, 2015, now Pat. No. Des. 798,949.

(30) **Foreign Application Priority Data**

May 27, 2015 (JP) 2015-011634
May 27, 2015 (JP) 2015-011635
May 27, 2015 (JP) 2015-011636
May 27, 2015 (JP) 2015-011637

(51) **LOC (11) Cl.** **16-03**

(52) **U.S. Cl.**
USPC **D18/43**

(58) **Field of Classification Search**
USPC D18/12, 36, 37-39, 40-59;
D14/471-475; 16/246; 355/78, 88, 97,
355/99; 358/1.1; 399/1-7, 16, 75, 81,
399/107, 130, 151, 361, 365, 367,
399/381-383, 388
CPC G03G 15/00; G03G 15/0142; G03G
21/1814; G03G 21/08; G03G 21/1835;
G03G 21/185; G03G 21/00; G03G
21/1842;

(Continued)

(56) **References Cited**

U.S. PATENT DOCUMENTS

D462,984 S 9/2002 Hayashi et al. D18/40
D464,079 S 10/2002 Funayama et al. D18/43

(Continued)

Primary Examiner — Wan Laymon
Assistant Examiner — Clint A Samuel
(74) *Attorney, Agent, or Firm* — Fitzpatrick, Cella,
Harper & Scinto

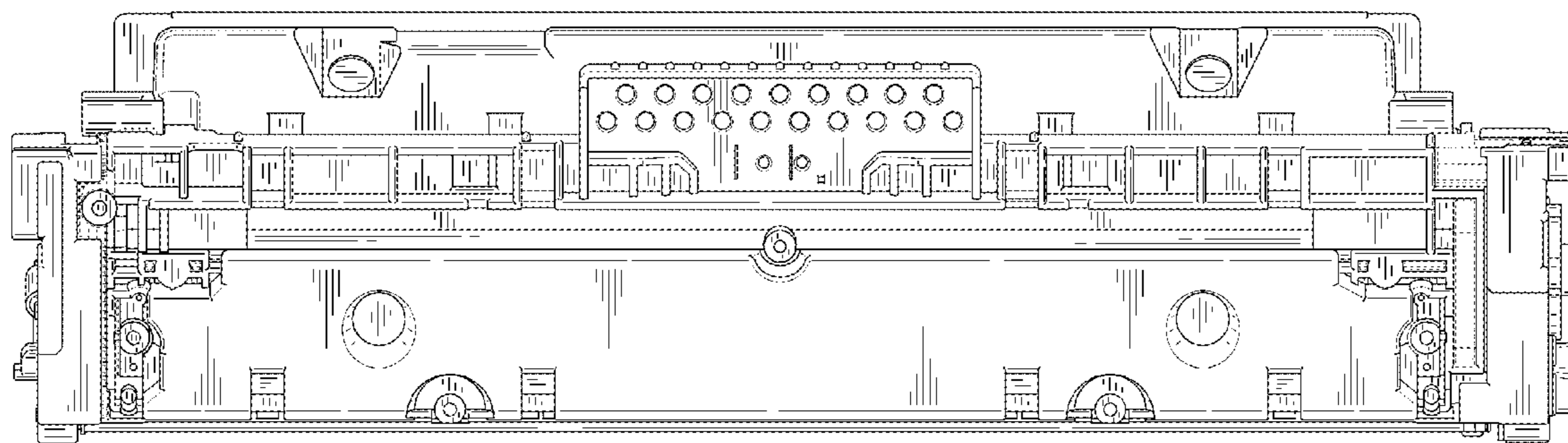
(57) **CLAIM**

The ornamental design for a process cartridge for image forming apparatus, as shown and described.

DESCRIPTION

FIG. 1 is a front view of an embodiment of a process cartridge for image forming apparatus;
FIG. 2 is a rear view thereof;
FIG. 3 is a top plan view thereof;
FIG. 4 is a bottom plan view thereof;
FIG. 5 is a left side view thereof;
FIG. 6 is a right side view thereof;
FIG. 7 is a front perspective view thereof;
FIG. 8 is a rear perspective view thereof;
FIG. 9 is a front view of another embodiment of a process cartridge for image forming apparatus;
FIG. 10 is a rear view thereof;
FIG. 11 is a top plan view thereof;
FIG. 12 is a bottom plan view thereof;
FIG. 13 is a left side view thereof;
FIG. 14 is a right side view thereof;
FIG. 15 is a front perspective view thereof; and,
FIG. 16 is a rear perspective view thereof.
The broken lines represent portions of the process cartridge for image forming apparatus that form no part of the claimed design.

1 Claim, 14 Drawing Sheets



(58) **Field of Classification Search**

CPC G03G 21/1853-21/1857; G03G
21/16-21/18; G03G 15/0815; G03G
15/08; G03G 5/00; G06K 15/14; G06K
15/12; B41J 11/00; B41J 3/28; B41J
3/00; H04N 1/00204; H04N 1/00129;
H04N 1/00135; H04N 1/00278

See application file for complete search history.

(56)

References Cited

U.S. PATENT DOCUMENTS

D477,631 S 7/2003 Mori et al. D18/40
D489,753 S 5/2004 Batori et al. D18/40
D508,074 S 8/2005 Batori et al. D18/40
D519,150 S 4/2006 Kojima et al. D18/40
D522,565 S 6/2006 Sanada et al. D18/43
D554,696 S 11/2007 Long D18/43
D587,304 S 2/2009 Murayama et al. D18/43
D588,633 S 3/2009 Oda et al. D18/43
D589,511 S 3/2009 Han D14/373
D591,338 S 4/2009 Kusudo et al. D18/43
D598,950 S 8/2009 Kusudo et al. D18/43
D614,691 S 4/2010 Abe et al. D18/43

D631,088 S 1/2011 Chadani et al. D18/43
D631,089 S 1/2011 Chadani et al. D18/43
D631,090 S 1/2011 Chadani et al. D18/43
D631,091 S 1/2011 Chadani et al. D18/43
D631,092 S 1/2011 Nittani et al. D18/43
D632,731 S 2/2011 Abe et al. D18/43
D633,137 S 2/2011 Chadani et al. D18/43
D637,225 S 5/2011 Kishi et al. D18/43
D638,056 S 5/2011 Kanno et al. D18/43
D638,057 S 5/2011 Kanno et al. D18/43
D639,335 S 6/2011 Kanno et al. D18/43
D639,846 S 6/2011 Kanno et al. D18/43
D723,614 S 3/2015 Shimizu et al. D18/43
D746,904 S 1/2016 Kitagawa et al. D18/43
D763,347 S 8/2016 Goto et al. D18/43
D772,336 S * 11/2016 Fan D18/43
D786,968 S * 5/2017 Uratani D18/56
D788,213 S * 5/2017 Maeshima D18/43
D789,446 S * 6/2017 Maeshima D18/43
D790,004 S * 6/2017 Maeshima D18/43
D791,224 S * 7/2017 Toba D18/43
D791,862 S * 7/2017 Toba D18/43
D796,573 S * 9/2017 Li D18/43
D798,948 S * 10/2017 Toba D18/43
D798,949 S * 10/2017 Toba D18/43

* cited by examiner

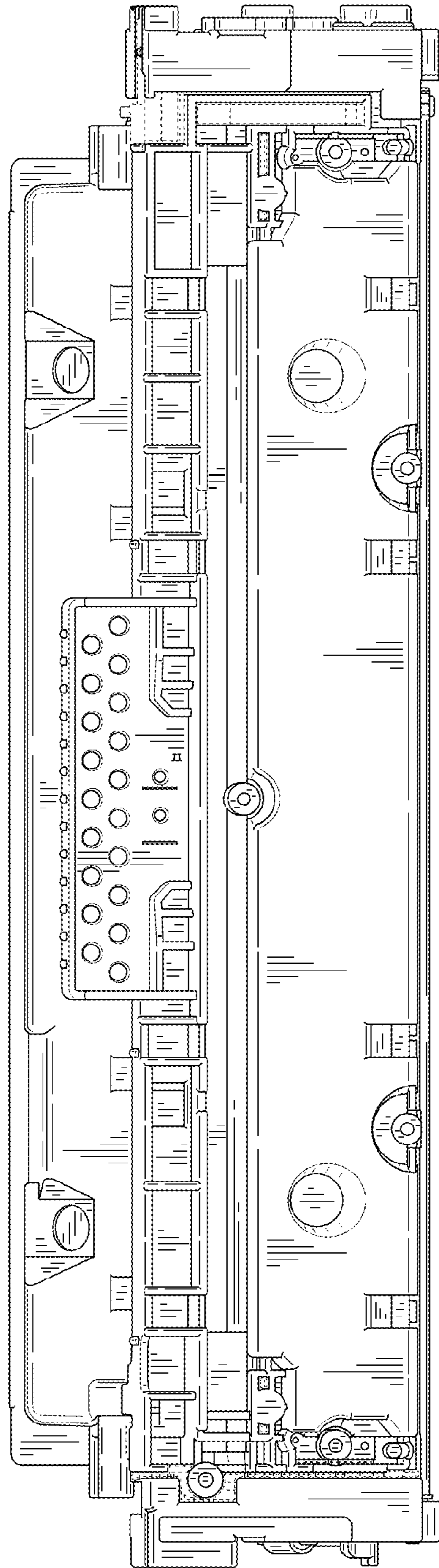


FIG. 1

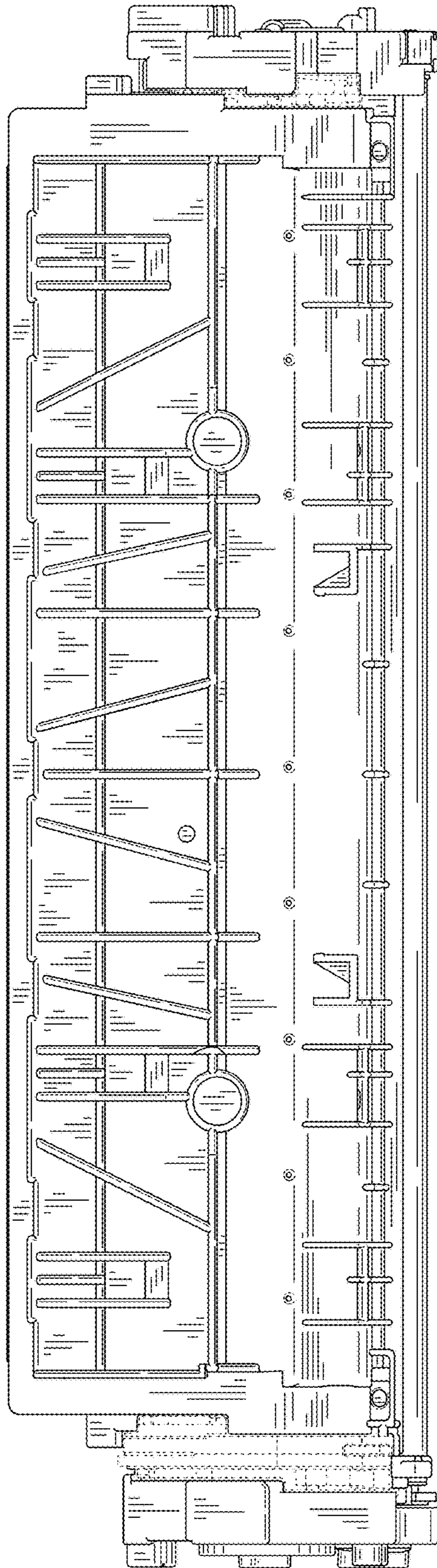


FIG. 2

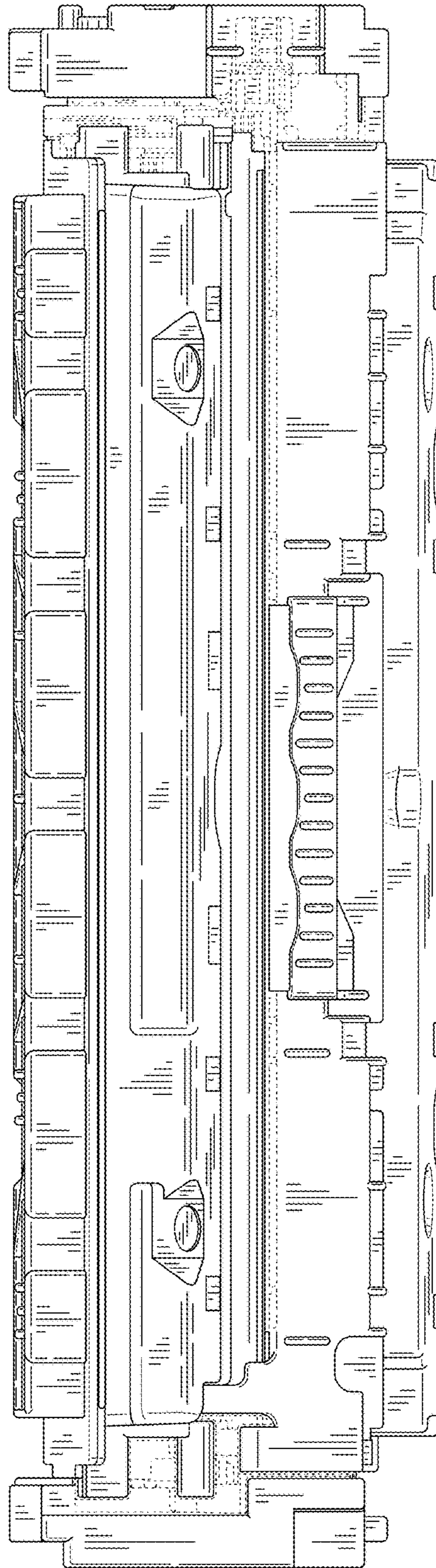


FIG. 3

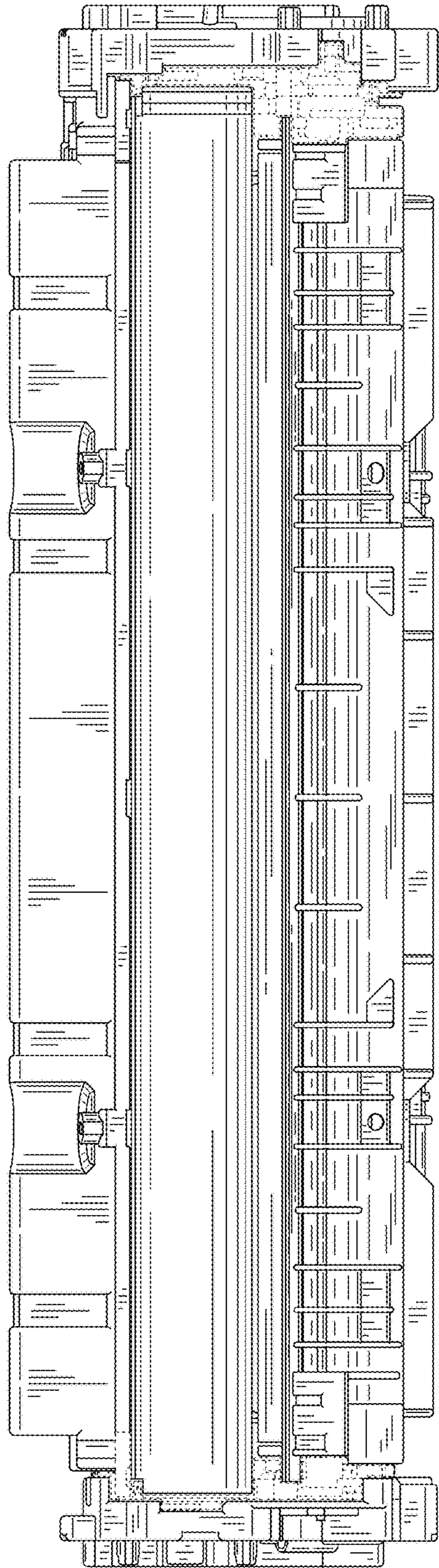


FIG. 4

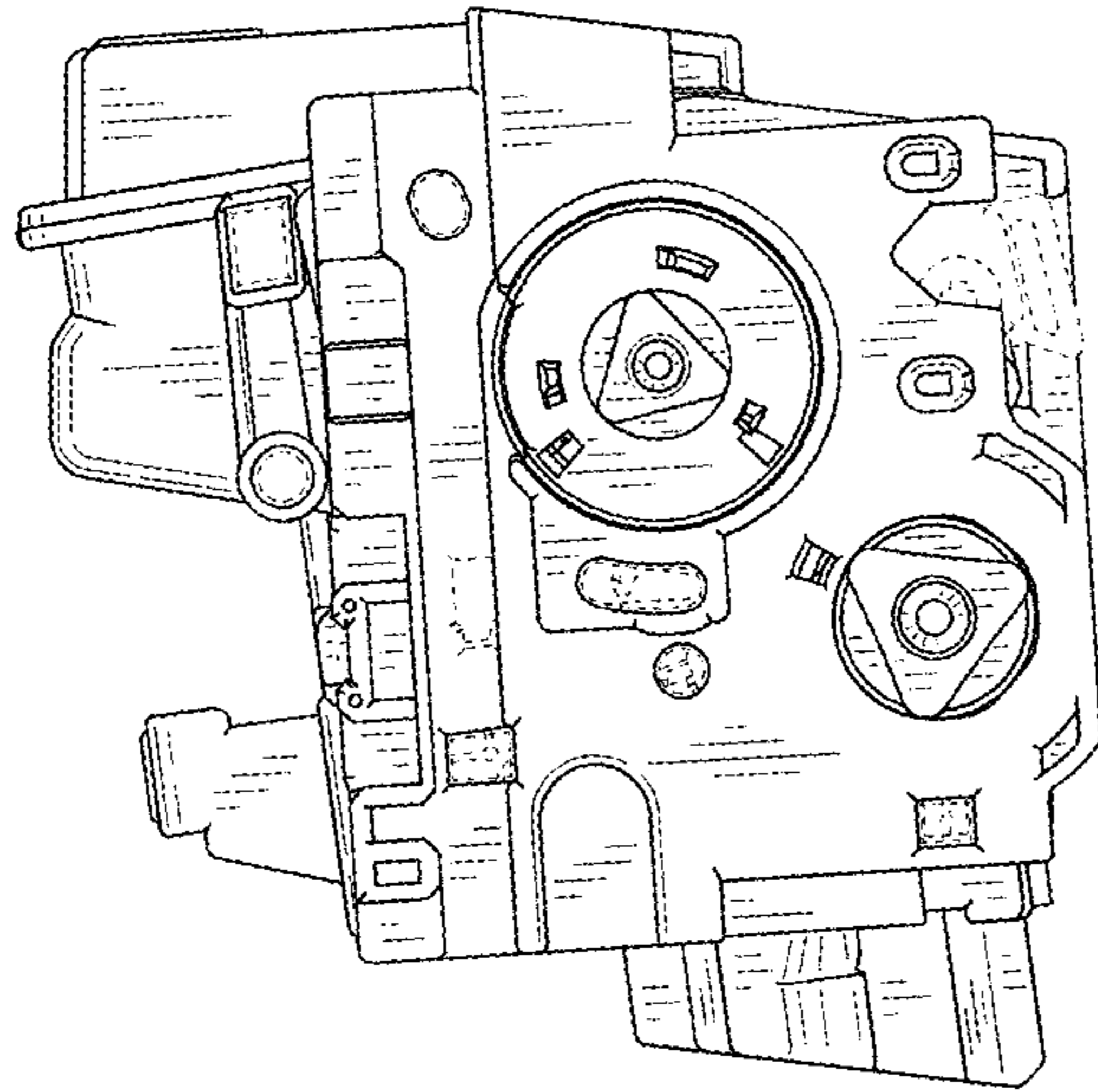


FIG. 6

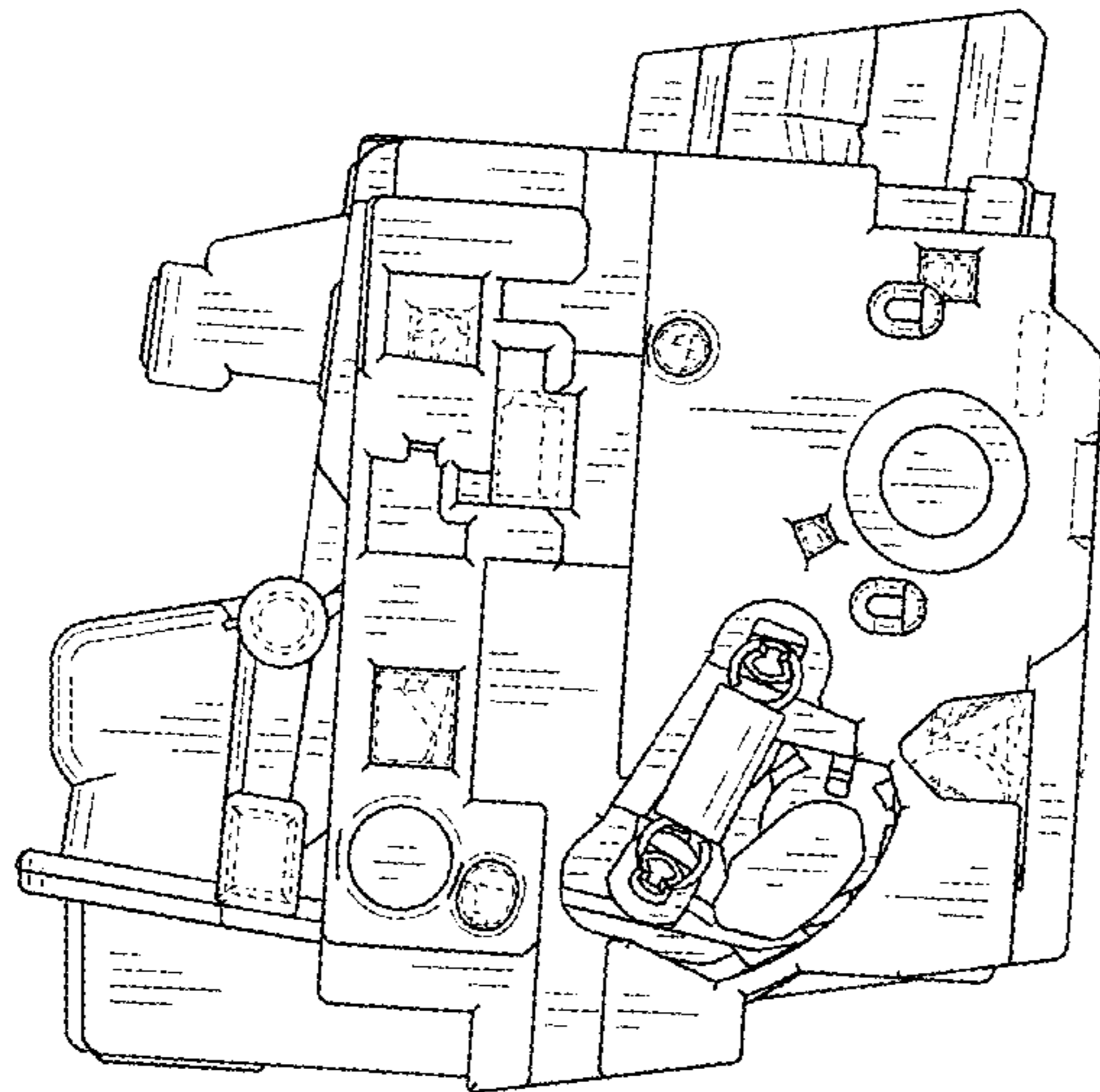


FIG. 5

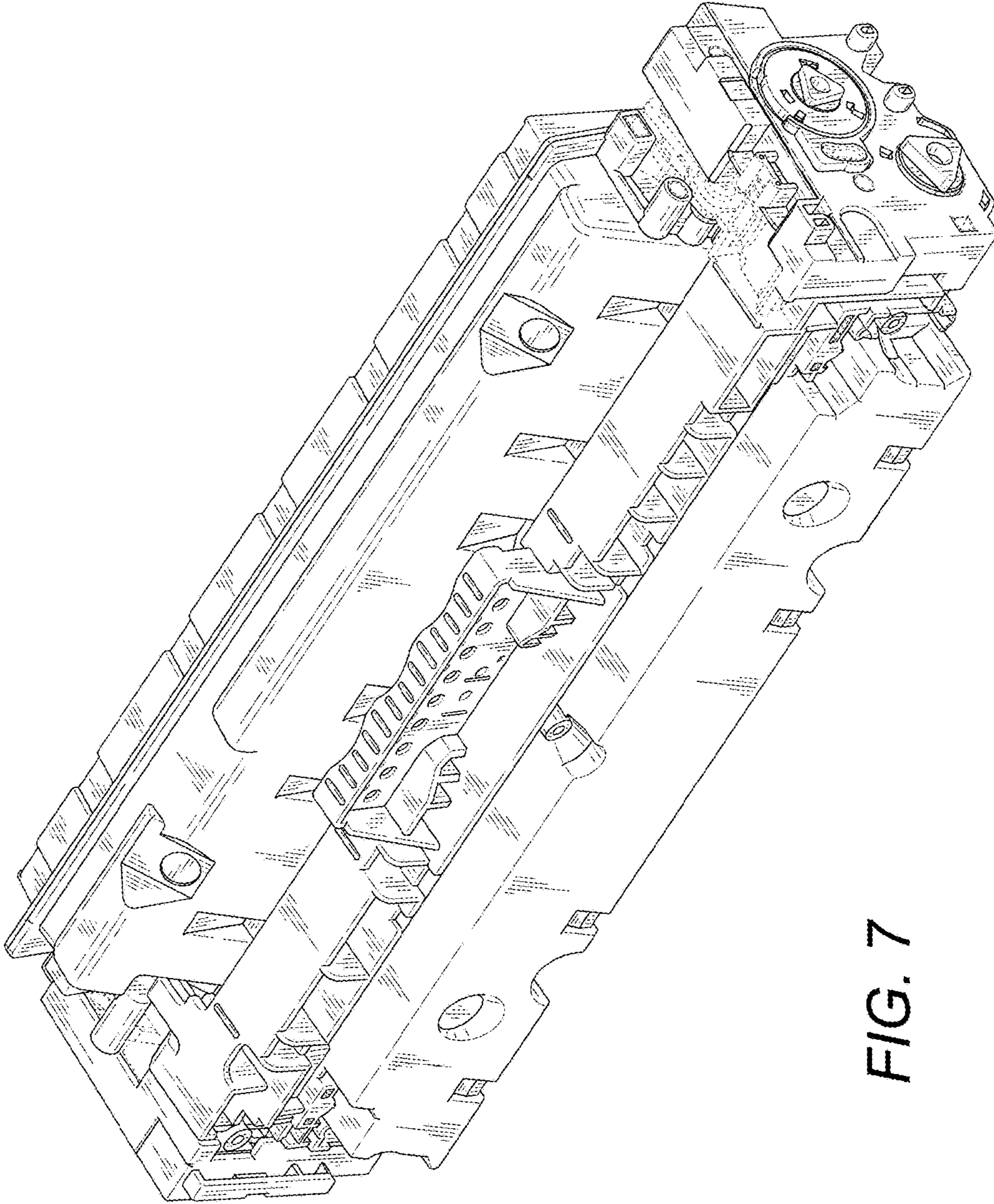


FIG. 7

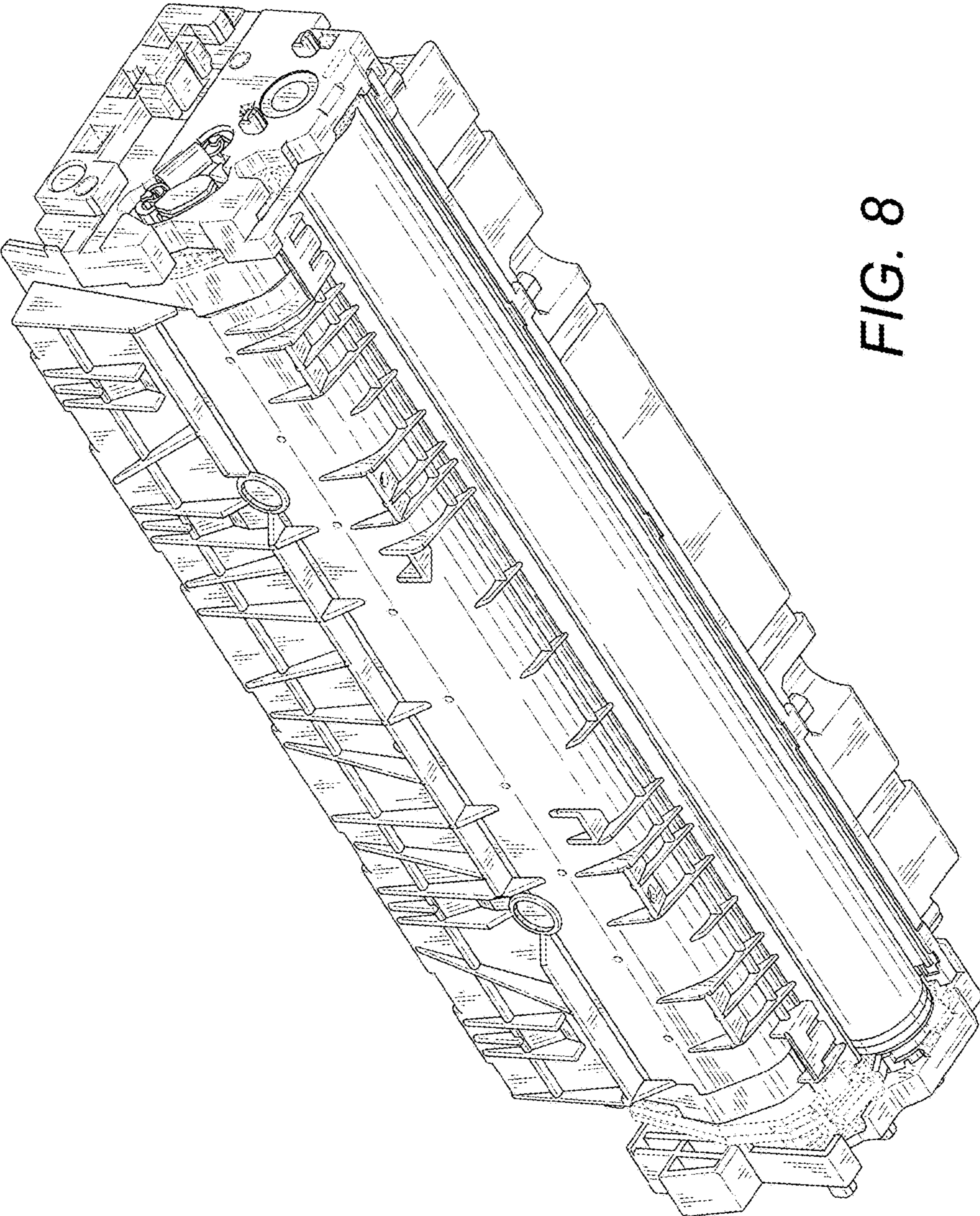


FIG. 8

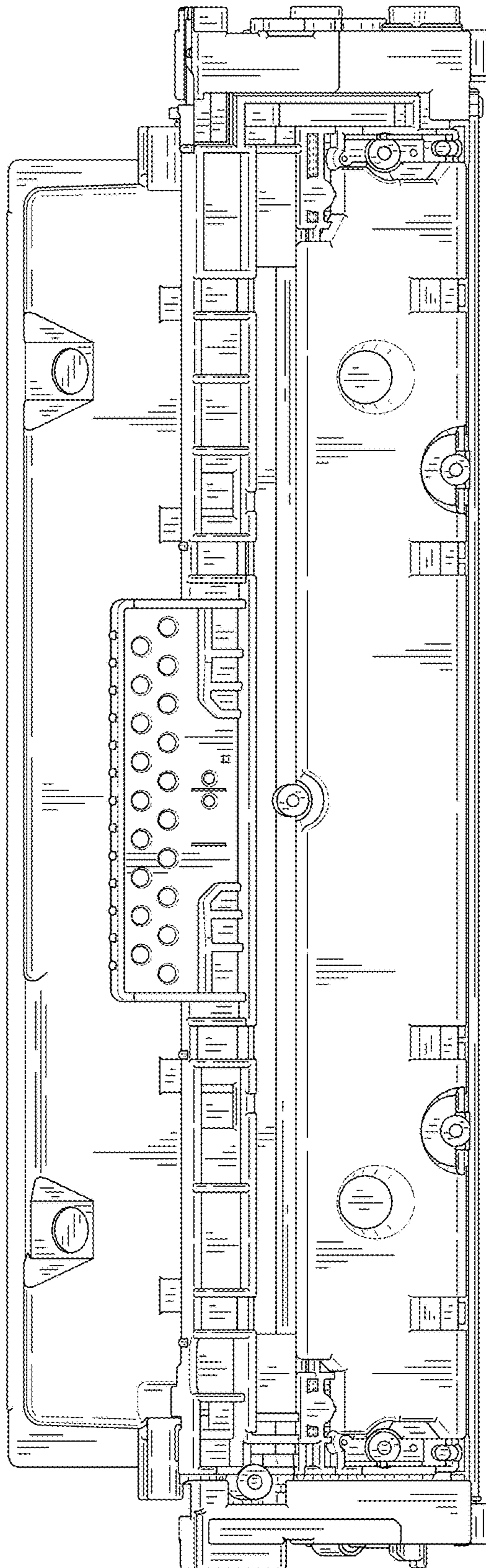


FIG. 9

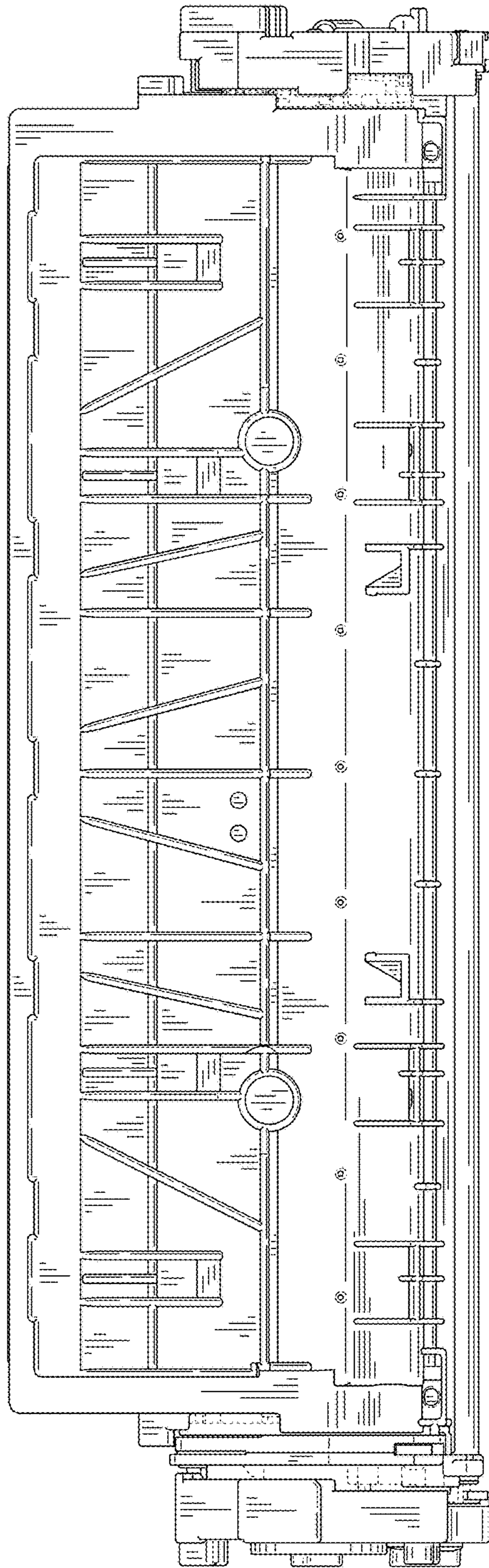


FIG. 10

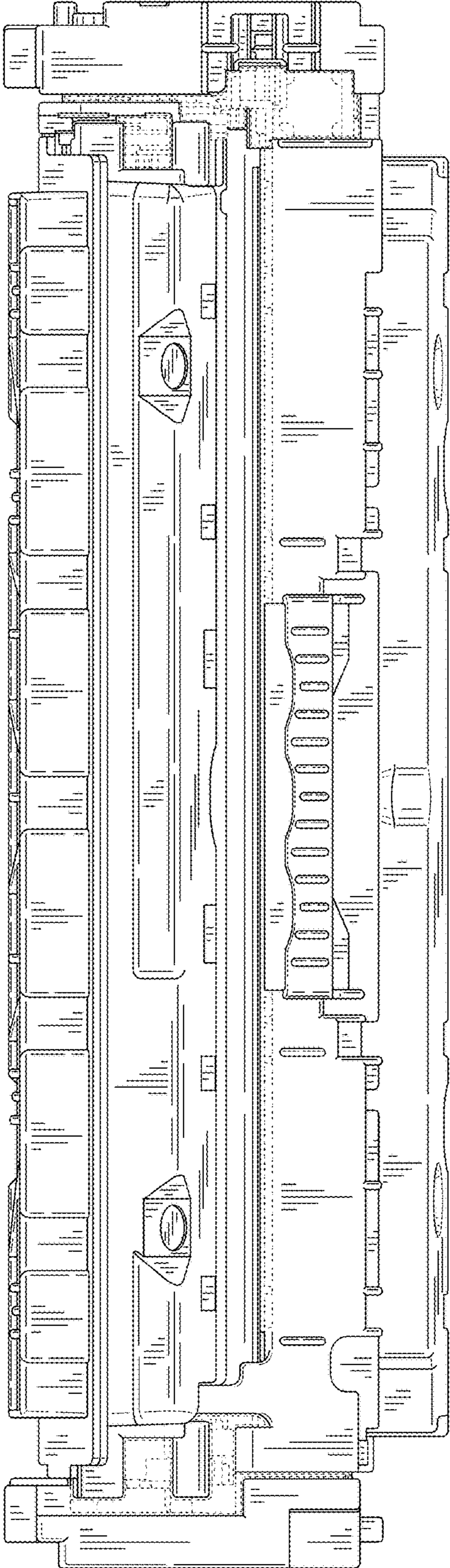


FIG. 11

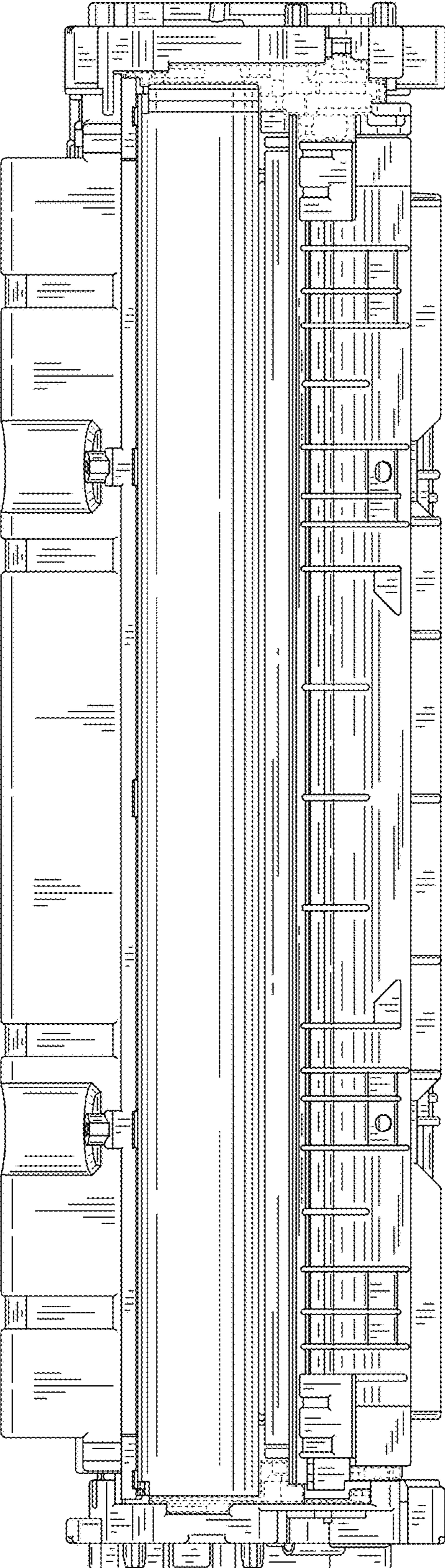


FIG. 12

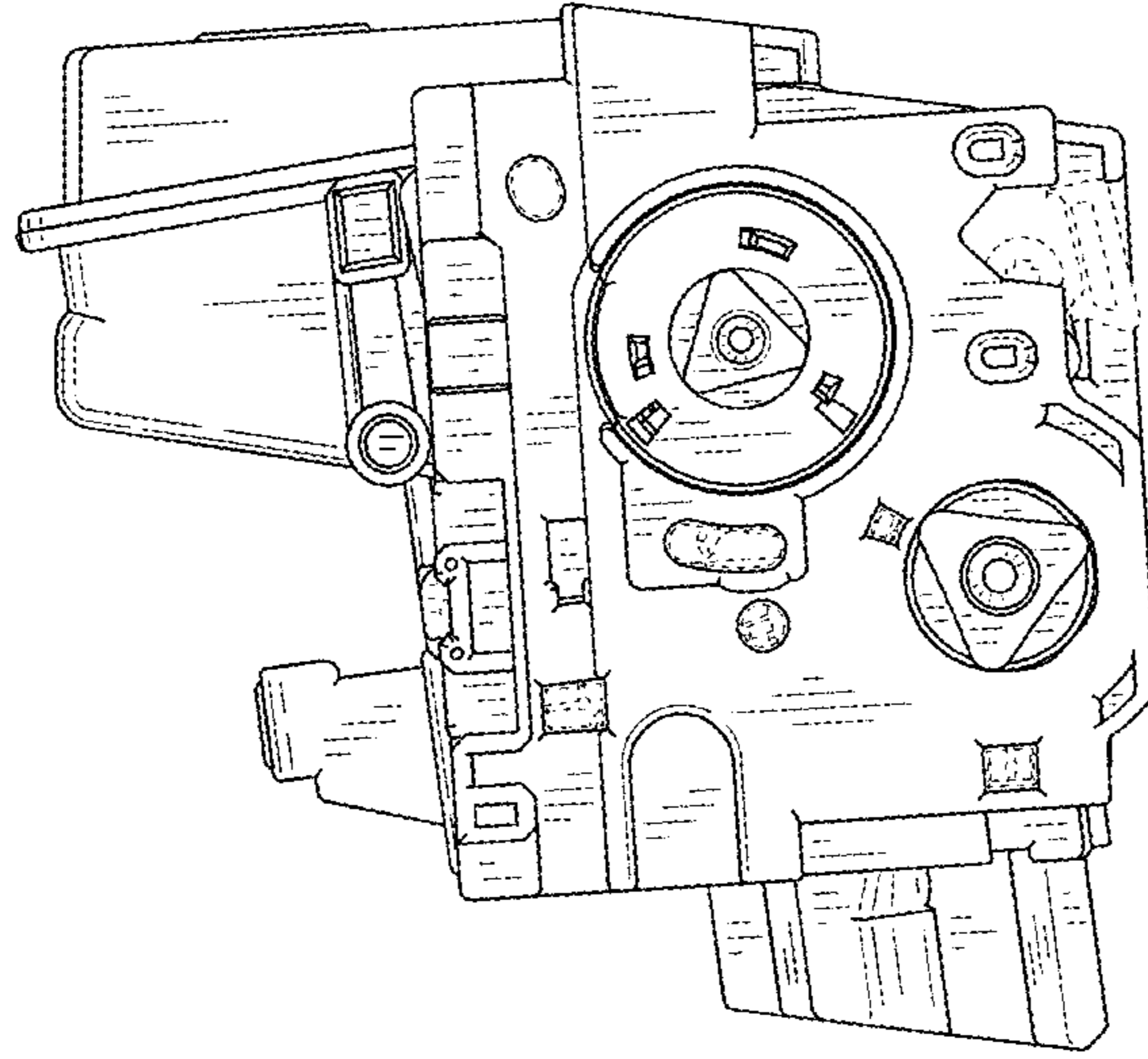


FIG. 14

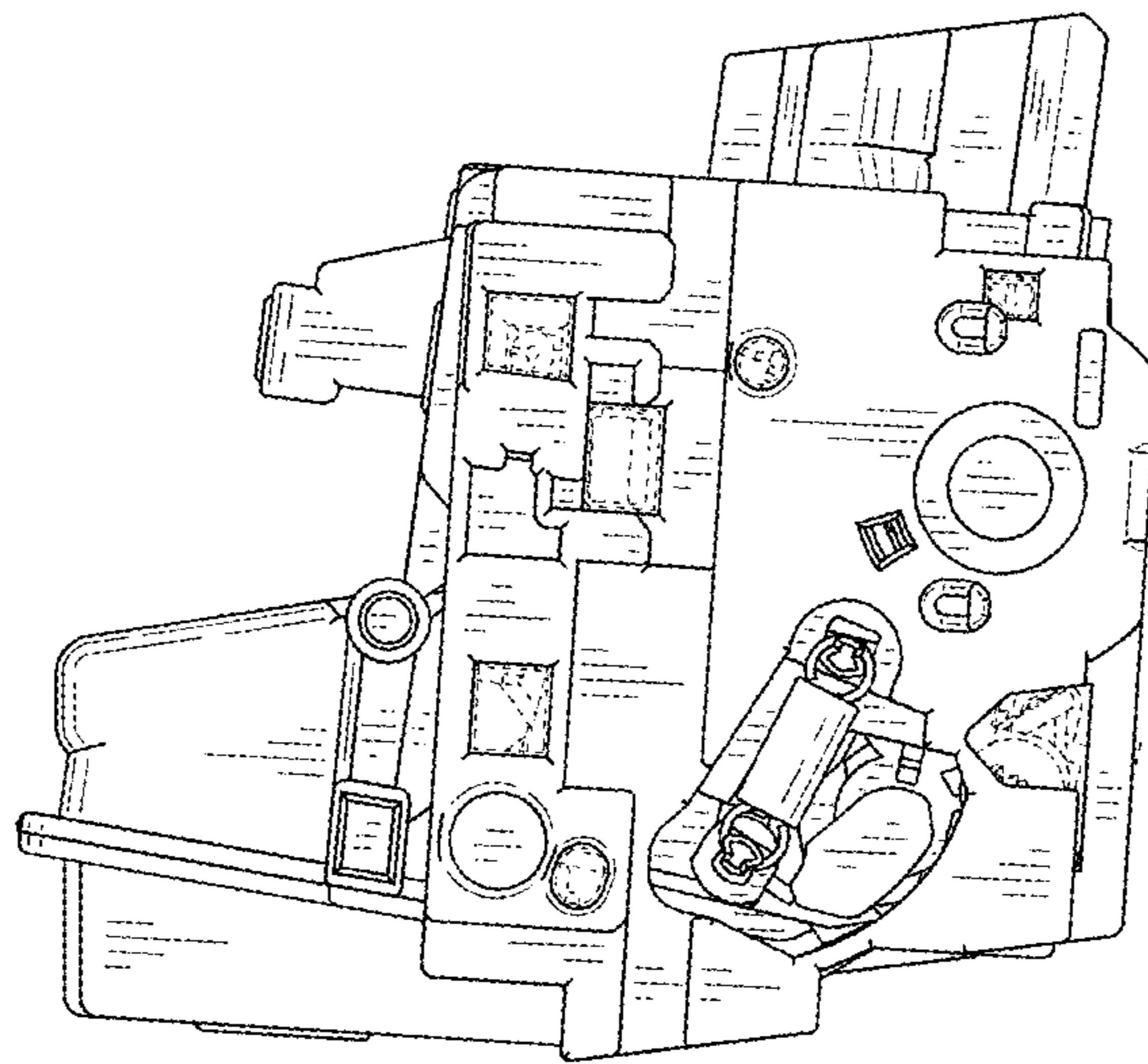


FIG. 13

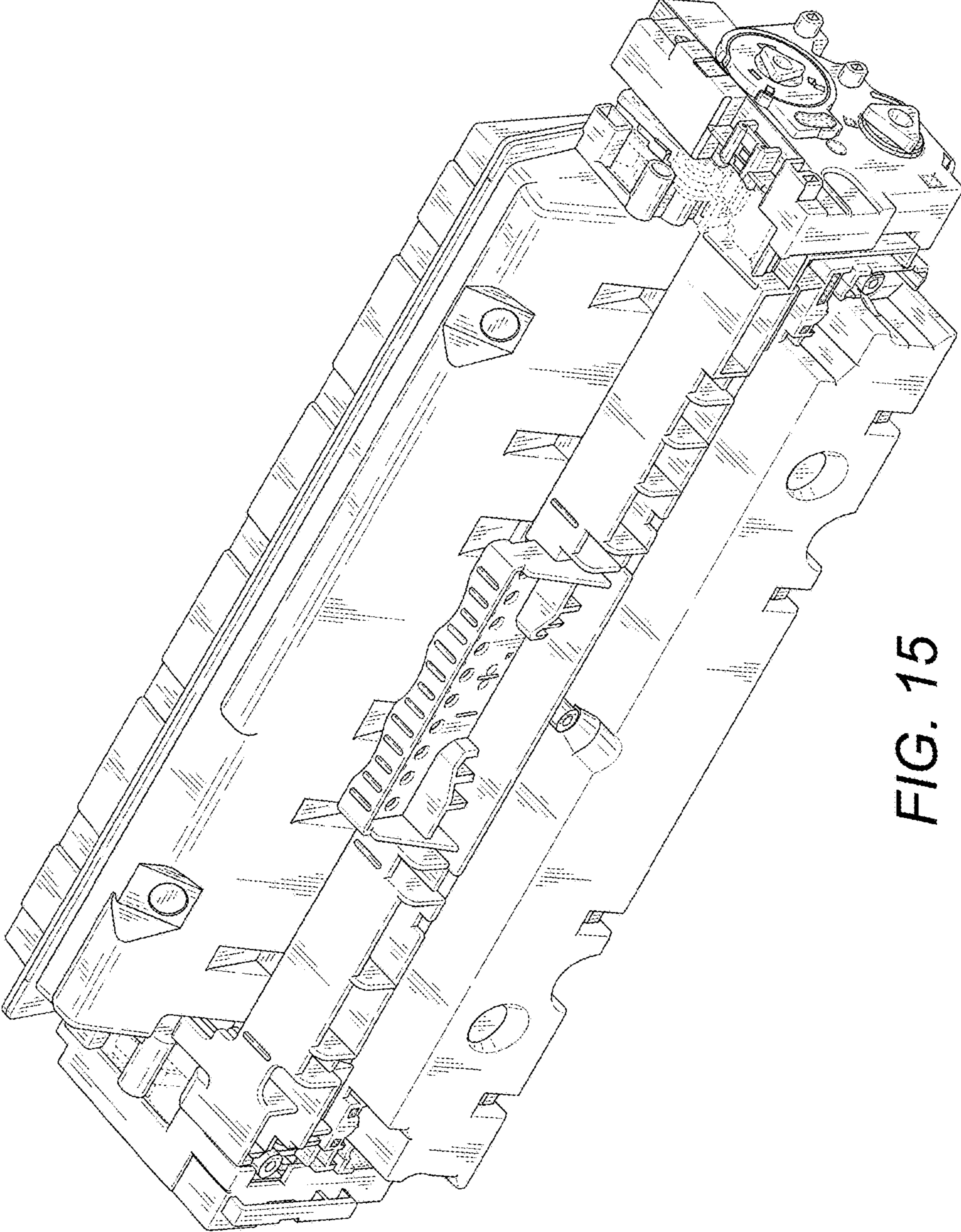


FIG. 15

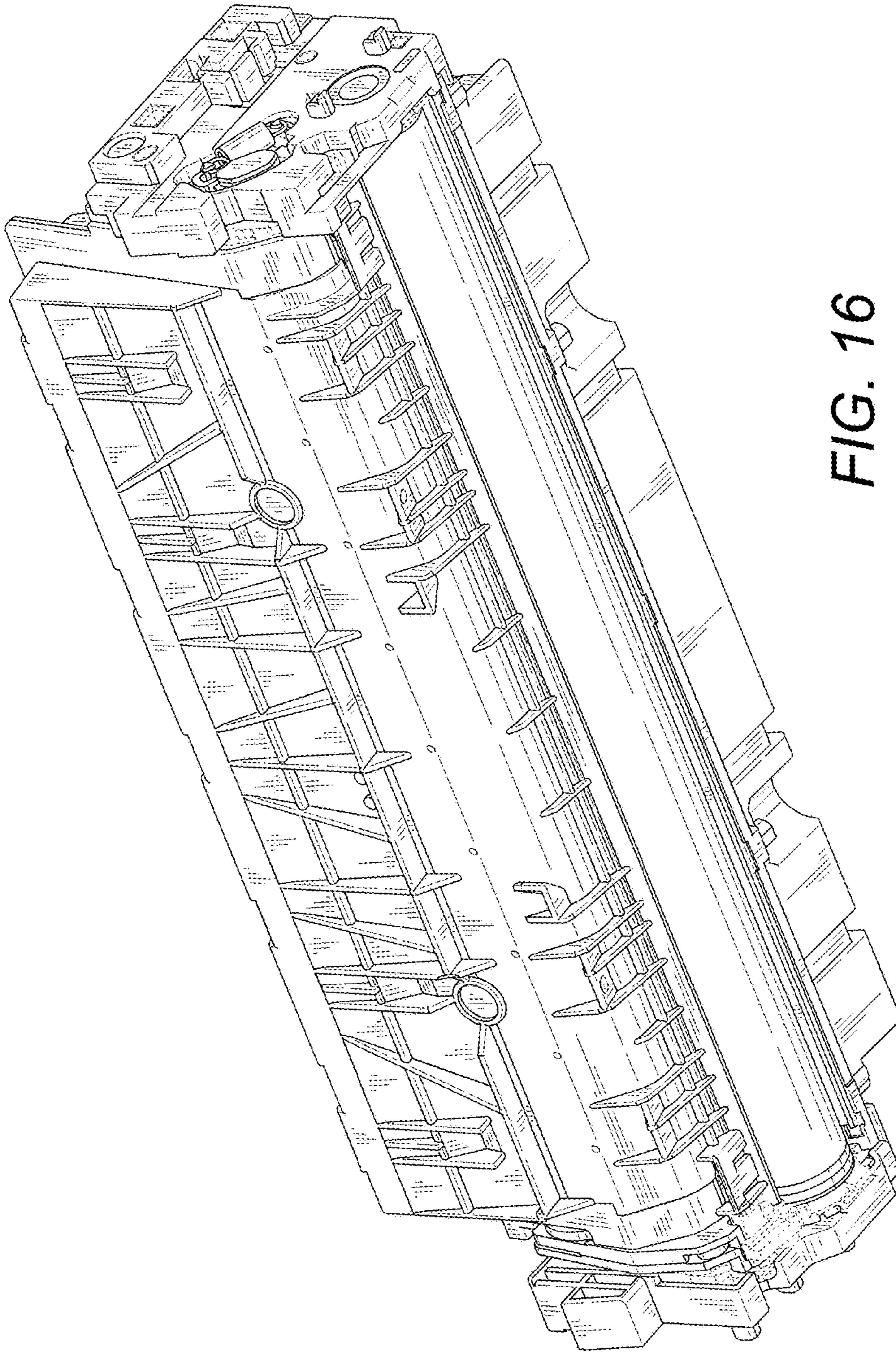


FIG. 16