



US00D832338S

(12) **United States Design Patent**  
**Lee et al.**

(10) **Patent No.:** **US D832,338 S**  
(45) **Date of Patent:** **\*\* Oct. 30, 2018**

- (54) **TONER CARTRIDGE**
- (71) Applicant: **S-Printing Solution Co., Ltd.**,  
Suwon-si, Gyeonggi-do (KR)
- (72) Inventors: **Jaerae Lee**, Goyang-si (KR); **Kiju Park**, Seongnam-si (KR); **Jin-Hong Kim**, Gwangmyeong-si (KR); **Hoyoung Lee**, Yongin-si (KR)
- (73) Assignee: **S-PRINTING SOLUTION CO., LTD.**,  
Gyeonggi-Do, Suwon-si (KR)
- (\*\*) Term: **15 Years**
- (21) Appl. No.: **29/547,408**
- (22) Filed: **Dec. 3, 2015**
- (30) **Foreign Application Priority Data**  
Sep. 15, 2015 (KR) ..... 30-2015-0046953
- (51) **LOC (11) Cl.** ..... **16-03**
- (52) **U.S. Cl.**  
USPC ..... **D18/43**
- (58) **Field of Classification Search**  
USPC ..... D18/43, 36-37, 40, 50, 55  
CPC ..... G03G 21/12; G03G 15/0834; G03G  
15/0837; G03G 15/0872; G03G  
2215/0668; H04N 2201/0094  
See application file for complete search history.

(56) **References Cited**

**U.S. PATENT DOCUMENTS**

D394,083 S *	5/1998	Jyoroku	.....	D18/43
D574,882 S *	8/2008	Saito	.....	D18/43
D630,244 S *	1/2011	Takiguchi	.....	D18/43
D636,016 S *	4/2011	Naito	.....	D18/43
D653,702 S *	2/2012	Amberg	.....	D18/43
D689,128 S *	9/2013	Amberg	.....	D18/43
D692,944 S *	11/2013	Noh	.....	D18/43

D736,851 S *	8/2015	Kang	.....	D18/43
D746,906 S *	1/2016	Kitagawa	.....	D18/43
D774,130 S *	12/2016	Yoshii	.....	D18/43
D785,082 S *	4/2017	Murase	.....	D18/43
D785,083 S *	4/2017	Ahn	.....	D18/43
D791,225 S *	7/2017	Yoshii	.....	D18/43
D791,865 S *	7/2017	Yoshii	.....	D18/43
D794,116 S *	8/2017	Suzuki	.....	D18/43
D798,380 S *	9/2017	Murata	.....	D18/43
D806,788 S *	1/2018	Murase	.....	D18/43
D807,954 S *	1/2018	Murase	.....	D18/43

(Continued)

*Primary Examiner* — Robin V Webster

*Assistant Examiner* — James C Thorn, Sr.

(74) *Attorney, Agent, or Firm* — Cantor Colburn LLP

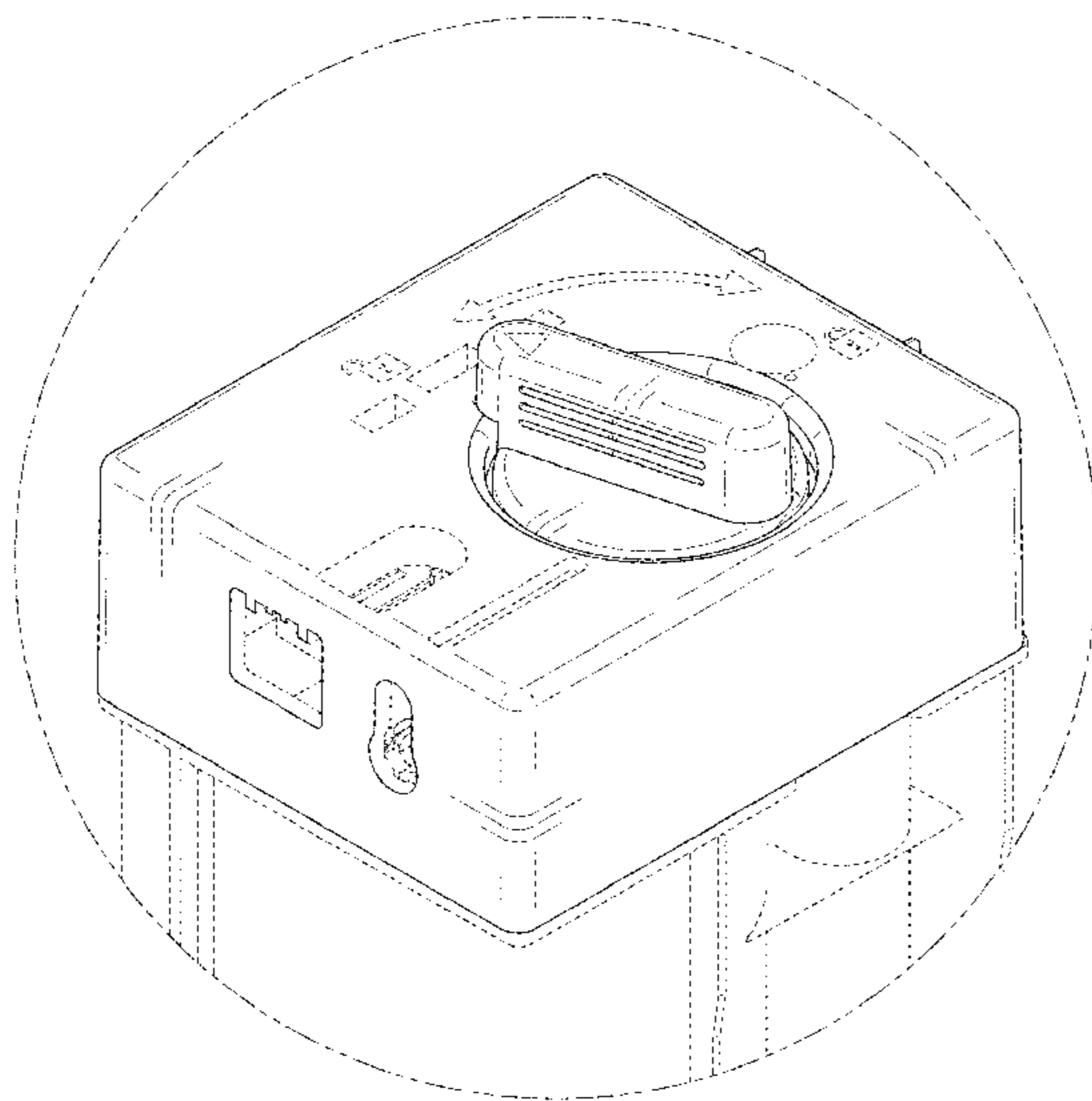
(57) **CLAIM**

The ornamental design for a toner cartridge, as shown and described.

**DESCRIPTION**

FIG. 1 is a top perspective view of a toner cartridge showing our new design;  
 FIG. 2 is a front elevation view thereof;  
 FIG. 3 is a rear elevation view thereof;  
 FIG. 4 is a left side elevation view thereof;  
 FIG. 5 is a right side elevation view thereof;  
 FIG. 6 is a top plan view thereof;  
 FIG. 7 is a bottom plan view thereof;  
 FIG. 8 is a bottom perspective view thereof;  
 FIG. 9 is an enlarged top perspective view of the encircled portion of FIG. 1; and,  
 FIG. 10 is an enlarged top perspective view of the encircled portion of FIG. 8.  
 The dashed broken lines in the figures represent portions of the toner cartridge that form no part of the claimed design. The dot-dot-dash broken lines in the figures encircling portions of the claimed design that are illustrated in an enlarged view form no part of the claimed design.

**1 Claim, 10 Drawing Sheets**



(56)

**References Cited**

U.S. PATENT DOCUMENTS

D817,387 S \* 5/2018 Han ..... D18/43  
2017/0003621 A1\* 1/2017 Wang ..... G03G 15/0865  
2017/0329256 A1\* 11/2017 Li ..... G03G 15/0841  
2018/0081298 A1\* 3/2018 Erickson ..... G03G 15/0872

\* cited by examiner

FIG. 1

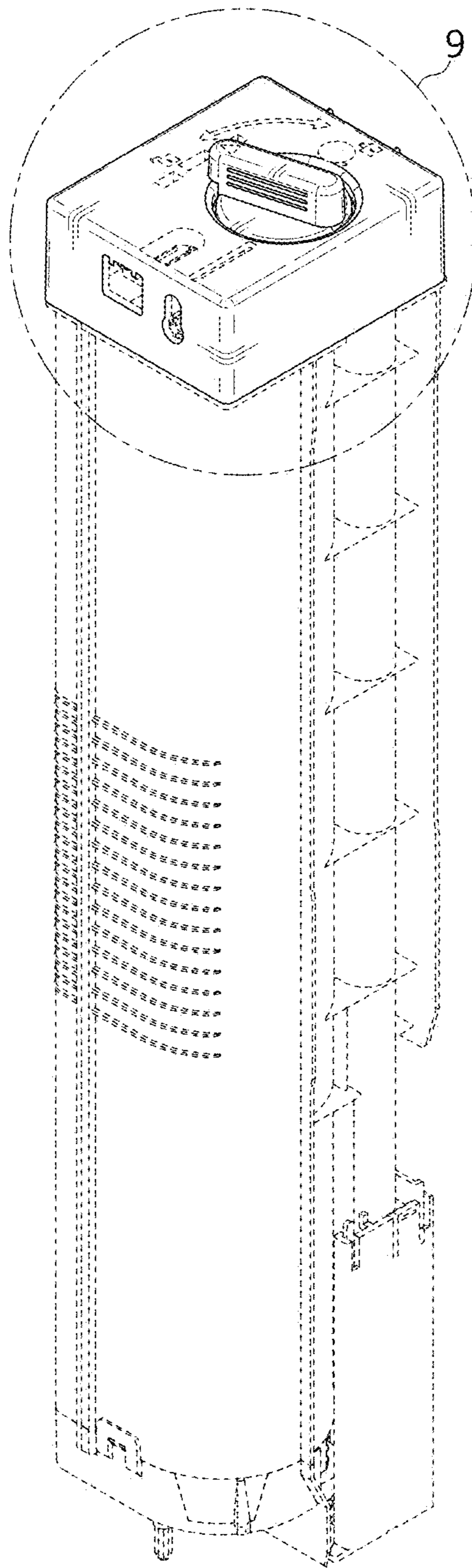


FIG. 2

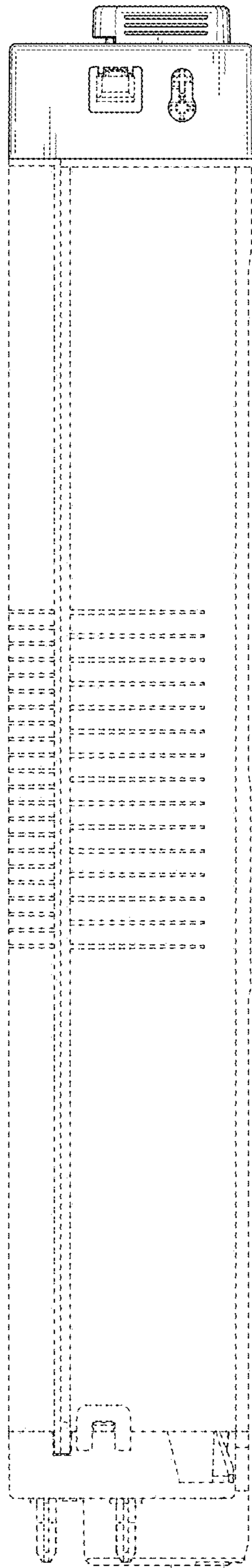


FIG. 3

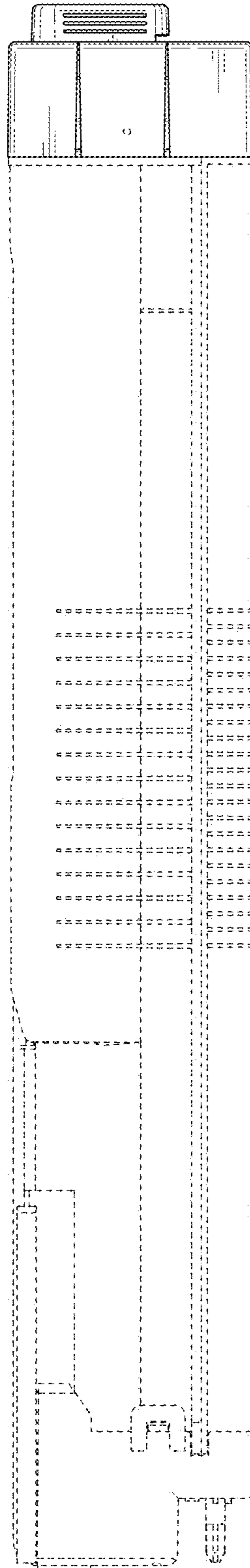


FIG. 4

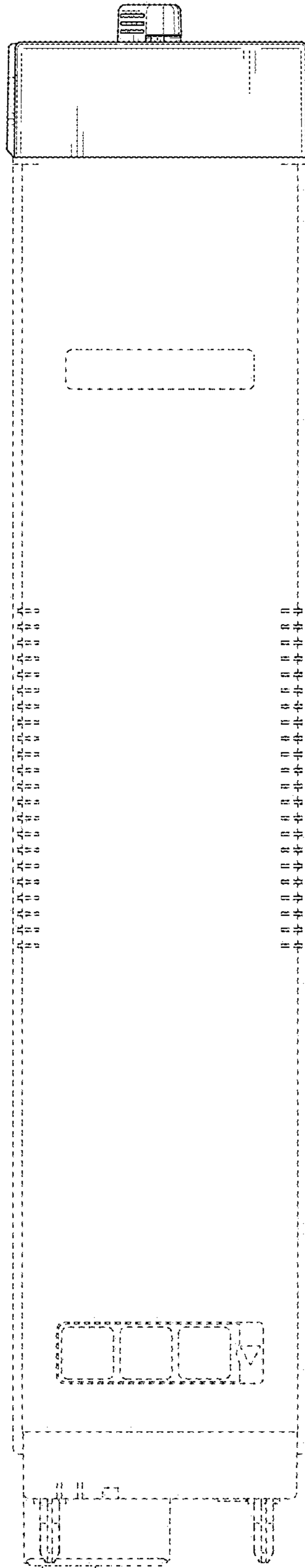


FIG. 5

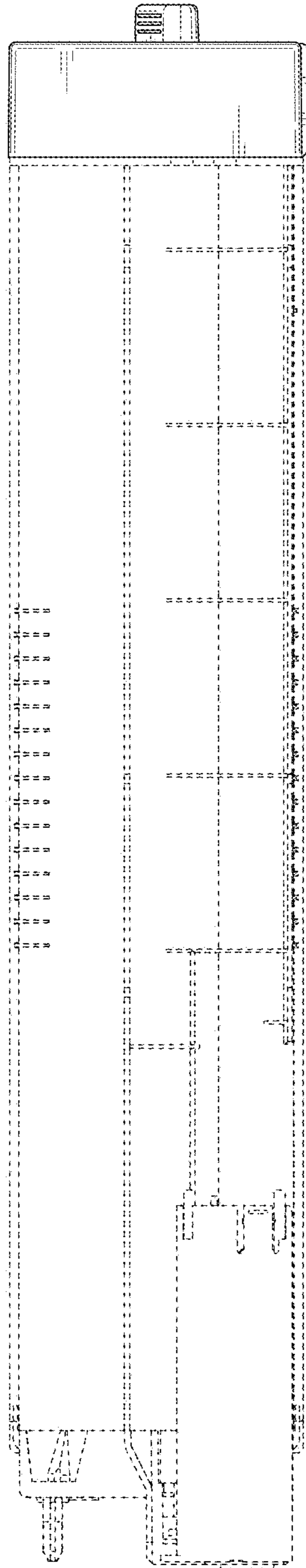


FIG. 6

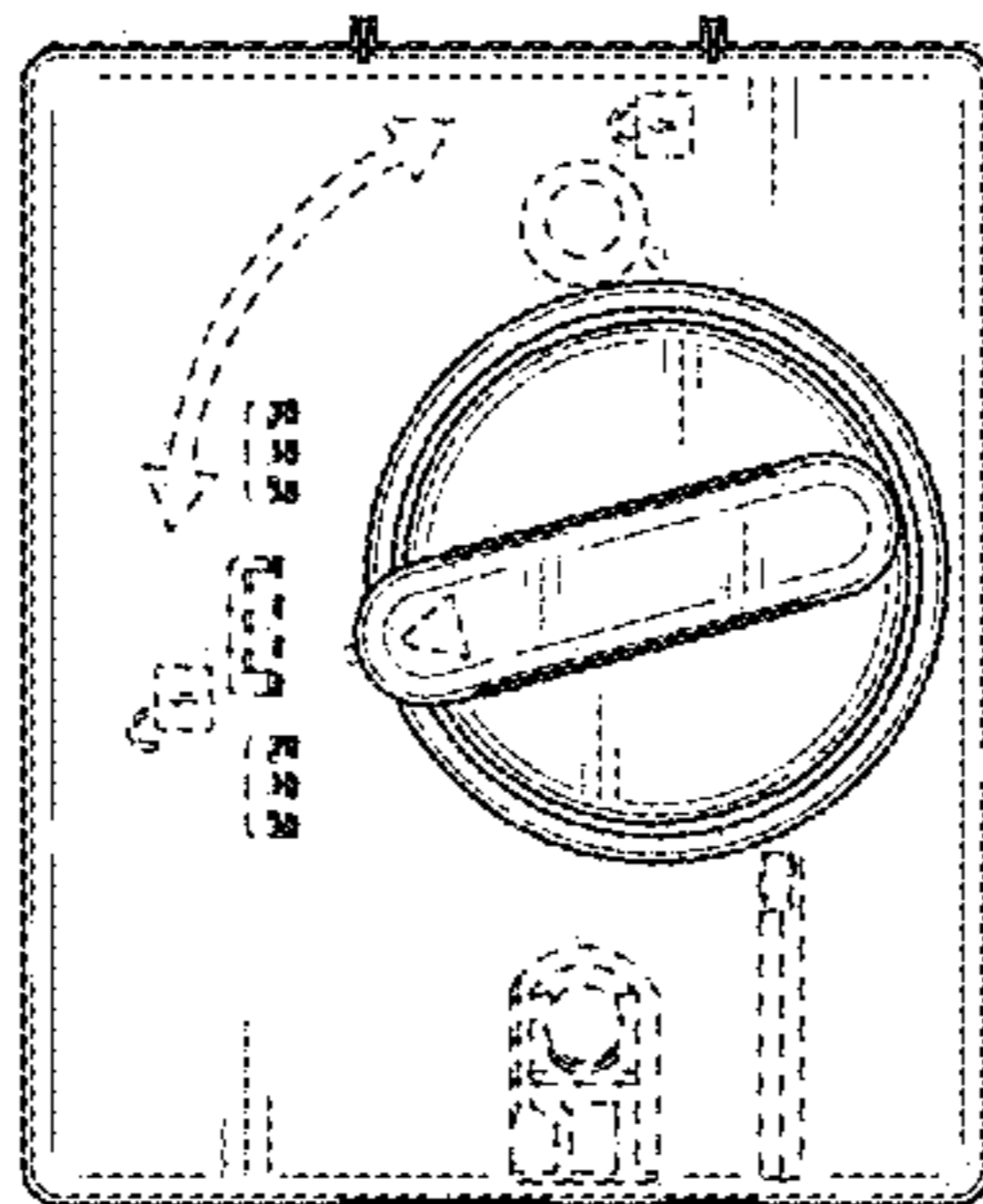




FIG. 7

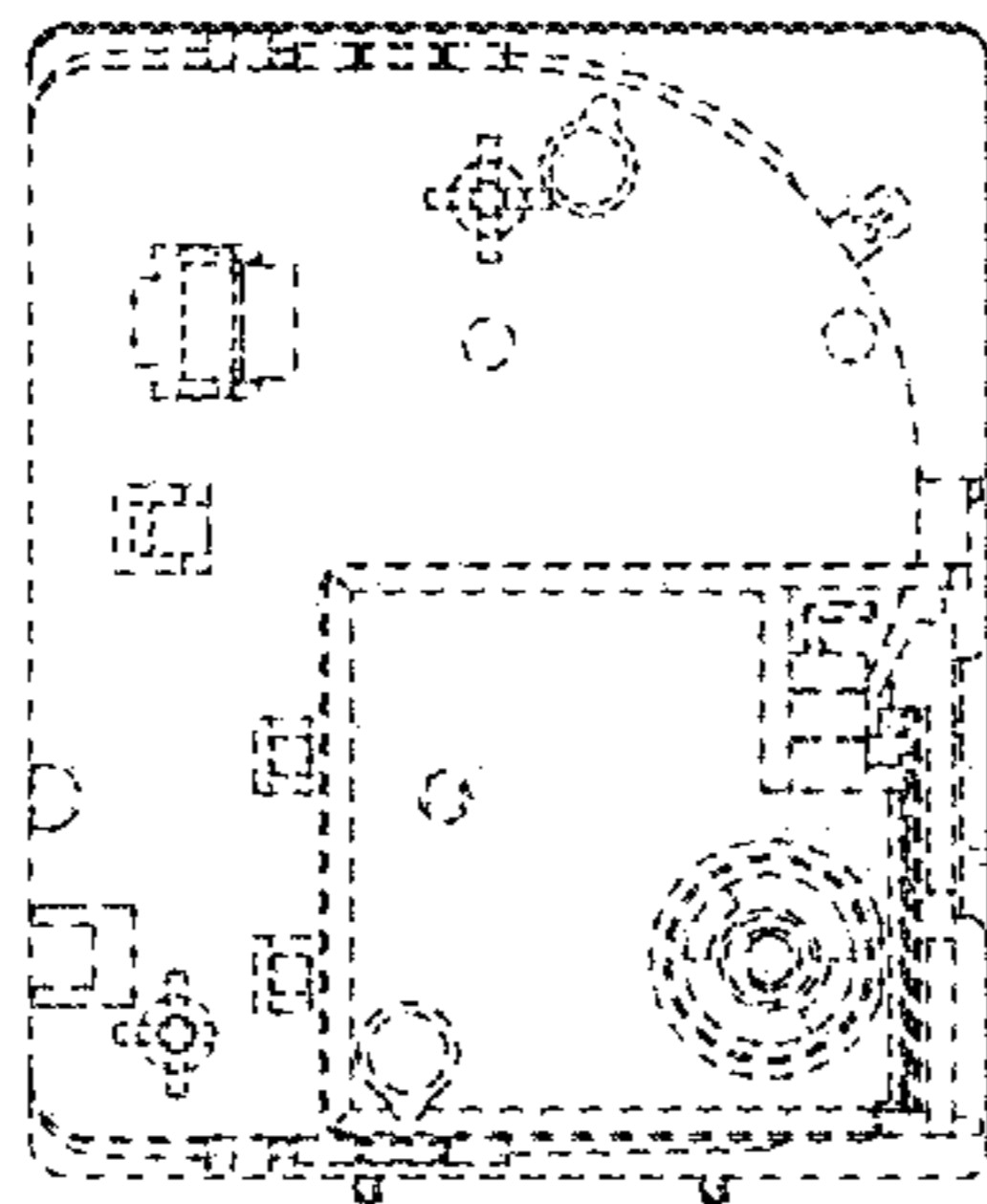


FIG. 8

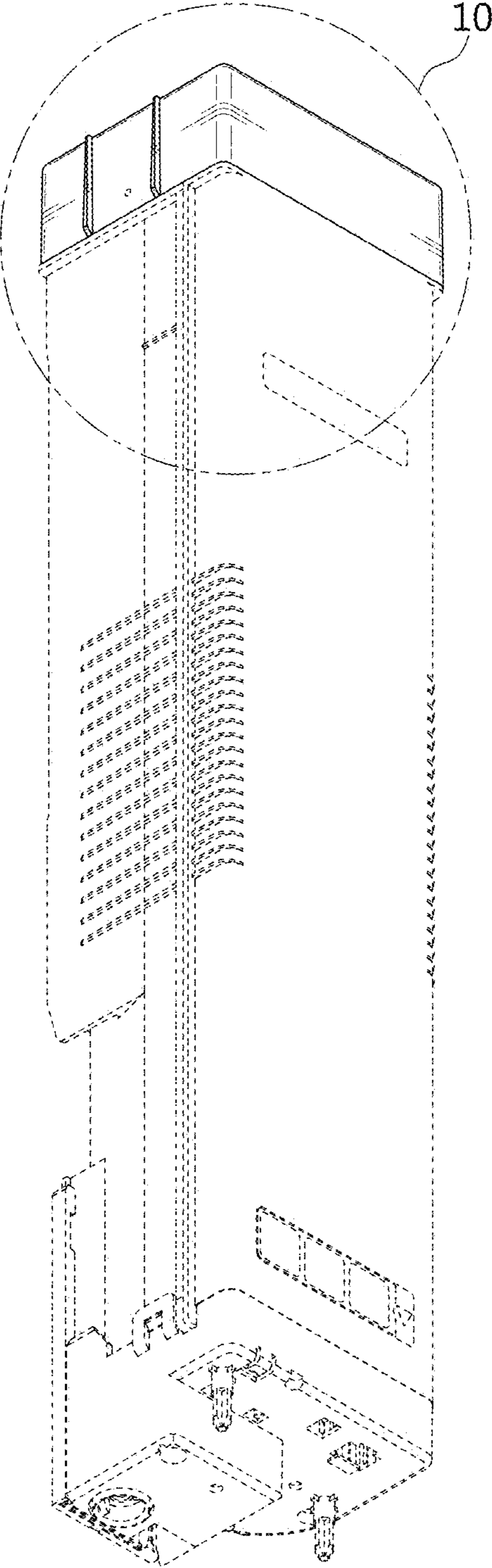


FIG. 9

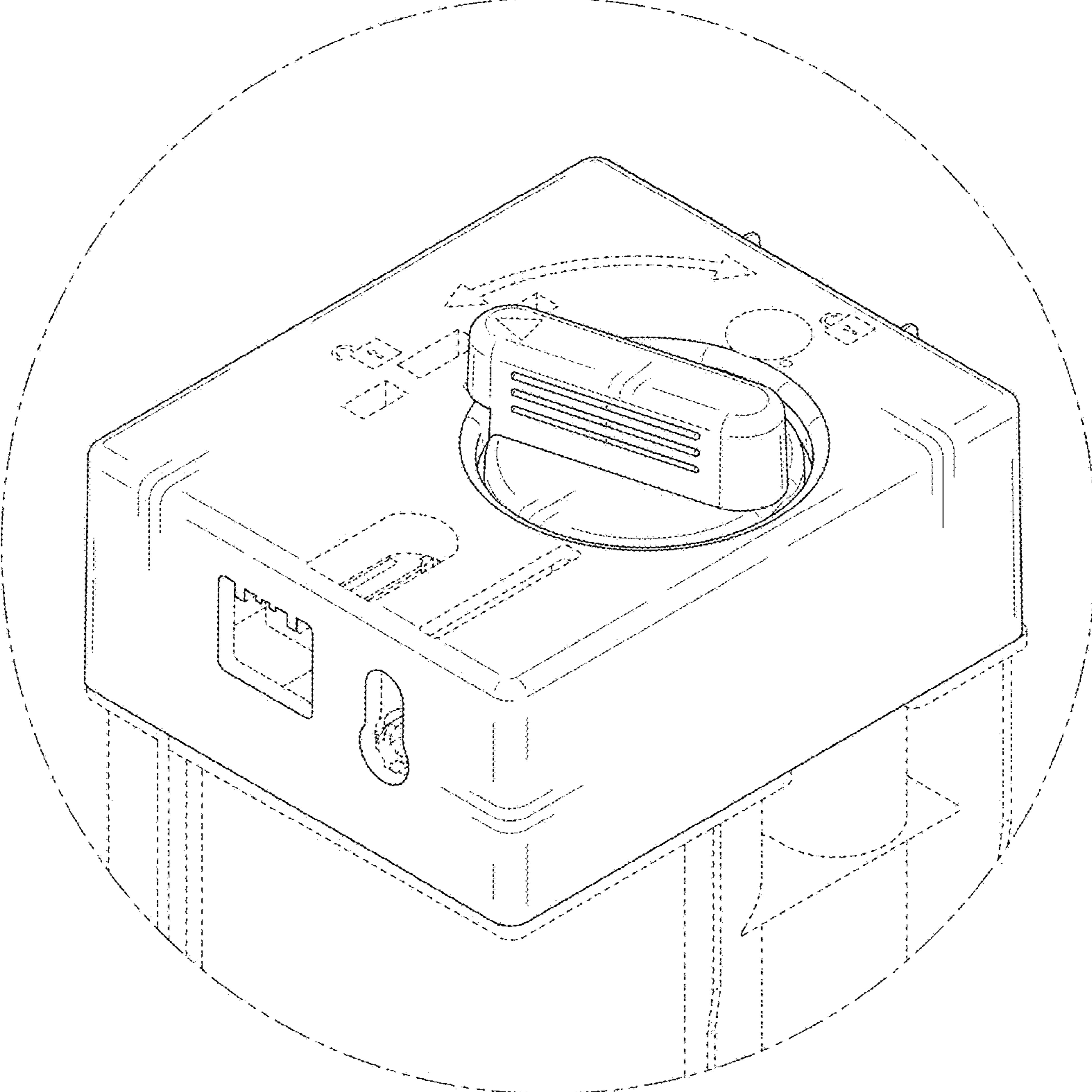


FIG. 10

