



US00D832337S

(12) **United States Design Patent** (10) **Patent No.:** **US D832,337 S**
Nanno et al. (45) **Date of Patent:** **** Oct. 30, 2018**

(54) **ELECTRONIC CUTTER**

(71) Applicant: **BROTHER INDUSTRIES, LTD.**,
Nagoya-shi, Aichi-ken (JP)
(72) Inventors: **Ai Nanno**, Tokyo (JP); **Hiromitsu Tanaka**, Nagoya (JP)
(73) Assignee: **BROTHER INDUSTRIES, LTD.**,
Nagoya (JP)

(**) Term: **15 Years**
(21) Appl. No.: **29/639,873**
(22) Filed: **Mar. 9, 2018**

(30) **Foreign Application Priority Data**

Dec. 1, 2017 (JP) 2017-26868

(51) **LOC (11) Cl.** **18-04**

(52) **U.S. Cl.**
USPC **D18/34.3**

(58) **Field of Classification Search**
USPC D18/34.1, 34.2, 34.3, 34.4, 34.5, 34.6,
D18/34.7, 34.8, 34.9; D15/127
CPC B26D 2007/005; B26D 2007/0087; B26D
2001/0053; B26D 1/025; B26D 1/035;
B26D 1/045; B26D 1/065; B26D 1/08;
B26D 1/085; B26D 1/10; B26D 1/105;
(Continued)

(56) **References Cited**

U.S. PATENT DOCUMENTS

7,029,113 B2 * 4/2006 Hwang B41J 29/13
347/108
D533,897 S * 12/2006 Workman D18/34.3
(Continued)

FOREIGN PATENT DOCUMENTS

EP 1557246 A2 * 7/2005 B26D 7/015
JP 2005205539 A * 8/2005
(Continued)

OTHER PUBLICATIONS

Amazon. <URL: http://a.co/d2VhHrP> Jul. 7, 2017. Brother DC200 DesignNCut Home Cutting Machine.*

Primary Examiner — Bridget L Eland

Assistant Examiner — Lauren McVey

(74) *Attorney, Agent, or Firm* — Oliff PLC

(57) **CLAIM**

The ornamental design for an electronic cutter, as shown and described.

DESCRIPTION

FIG. 1 is a front, top, right-side perspective view of an electronic cutter, showing our new design;

FIG. 2 is a front view thereof;

FIG. 3 is a top view thereof;

FIG. 4 is a left-side view thereof;

FIG. 5 is a right-side view thereof;

FIG. 6 is a rear view thereof;

FIG. 7 is a bottom view thereof;

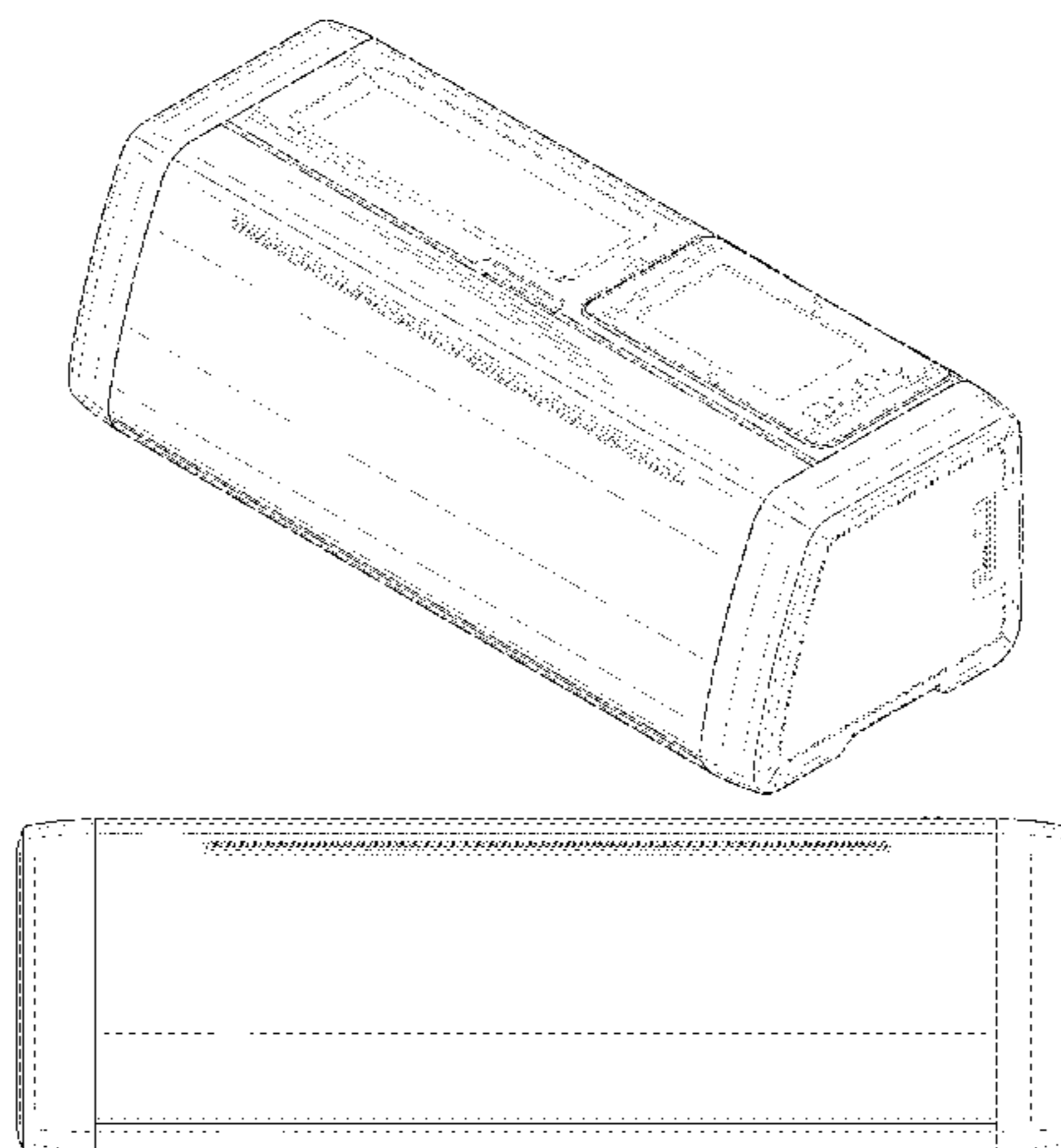
FIG. 8 is a front, top, right-side perspective view of the electronic cutter of FIG. 1, shown in an open position in order to show aspects of the design not otherwise apparent;

FIG. 9 is a rear, top, left-side perspective view of the electronic cutter of FIG. 1; and,

FIG. 10 is a rear, top, left-side perspective view of the electronic cutter of FIG. 1 in an open position in order to show aspects of the design not otherwise apparent.

The broken lines immediately adjacent to the shaded areas represent the bounds of the claimed design, while all other broken lines are directed to environment. In addition, the unshaded surface that directly adjoins the solid line edge in FIGS. 8, 9, and 10 forms no part of the claimed design. The broken lines form no part of the claimed design.

1 Claim, 9 Drawing Sheets



(58) **Field of Classification Search**

CPC B26D 1/125; B26D 1/147; B26D 1/1475;
B26D 1/15; B26D 1/151; B26D 1/153;
B26D 1/1535; B26D 1/185; B26D 1/305;
B26D 1/34; B26D 1/345; B26D 1/36;
B26D 1/365; B26D 1/38; B26D 1/385;
B26D 1/56; B26D 1/565; B26D 1/58;
B26D 1/585; B26D 5/083; B26D 7/015;
B26D 7/025; B26D 7/22; B26D 1/0006;
B26D 5/16; B26D 7/2614; B23D 35/008;
Y10T 83/7763; Y10T 83/8822; Y10T
83/885; Y10T 83/8851; Y10T 83/7507;
Y10T 83/8874; Y10T 83/8814; Y10T
83/9493; Y10T 83/7533; Y10T 83/8821;
Y10T 83/828; Y10T 83/872; Y10T
83/8841; Y10S 83/955

See application file for complete search history.

(56)

References Cited

U.S. PATENT DOCUMENTS

D534,204	S	*	12/2006	Workman	D18/34.3
D543,583	S	*	5/2007	Workman	D18/34.3
D680,157	S	*	4/2013	Umezawa	D18/34.3
D696,339	S	*	12/2013	Hasui	D18/34.3
D780,181	S	*	2/2017	Peng	D14/422
D795,338	S	*	8/2017	Umezawa	D18/34.3
2014/0150618	A1	*	6/2014	Fujihara	B26D 7/26 83/401

FOREIGN PATENT DOCUMENTS

JP	2005212077	A	*	8/2005
JP	2005212078	A	*	8/2005

* cited by examiner

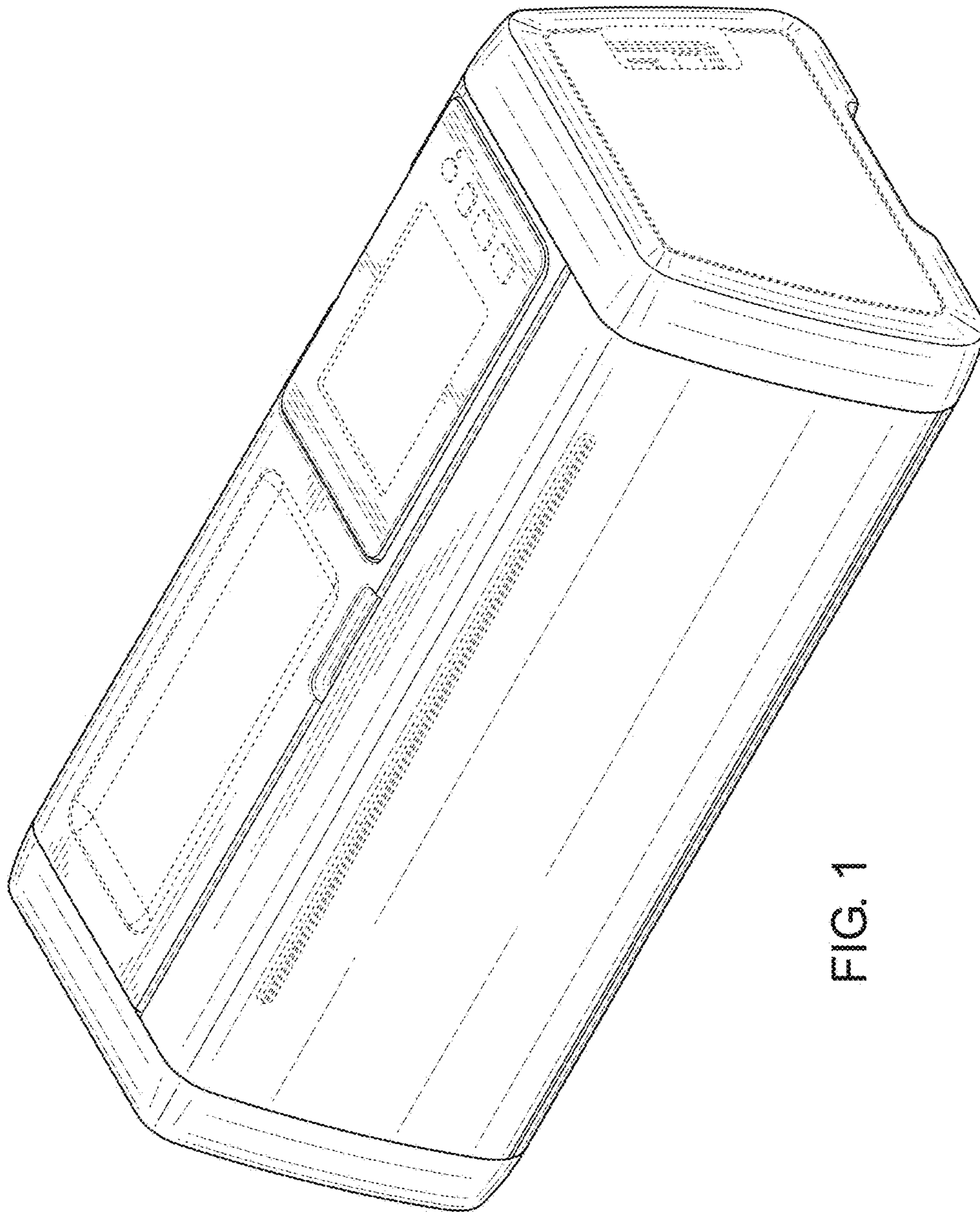


FIG. 1

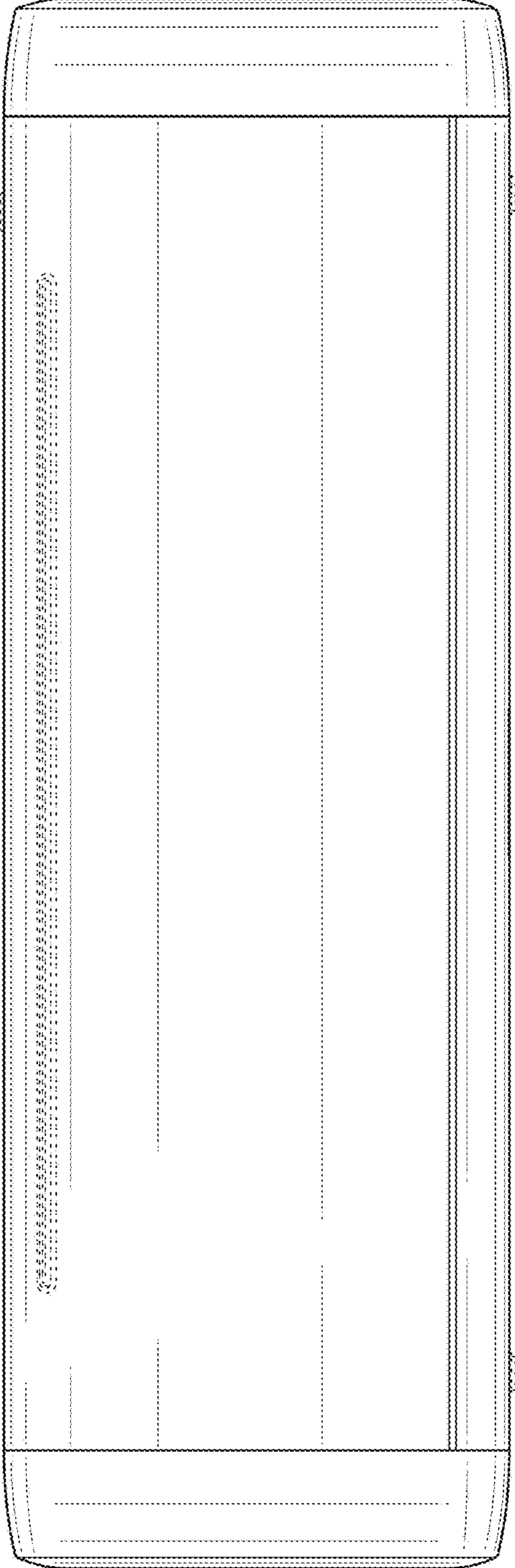


FIG. 2

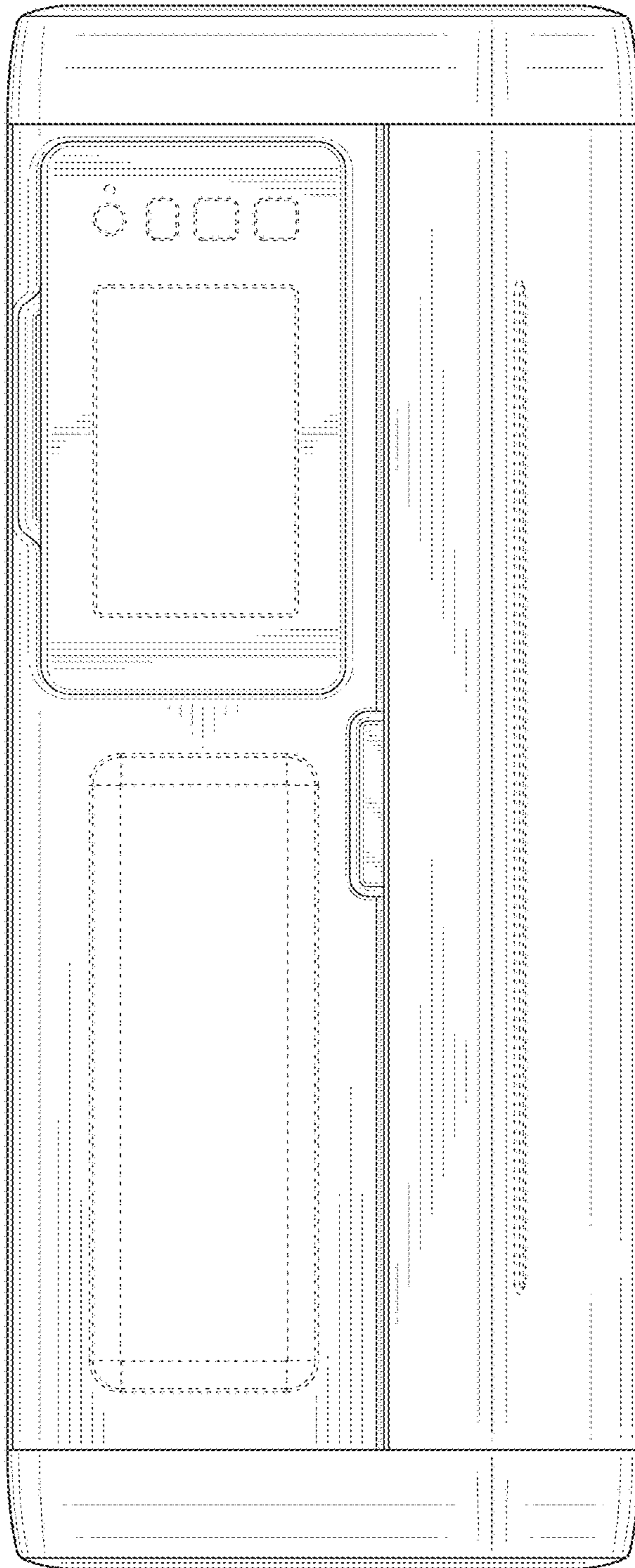


FIG. 3



FIG. 5

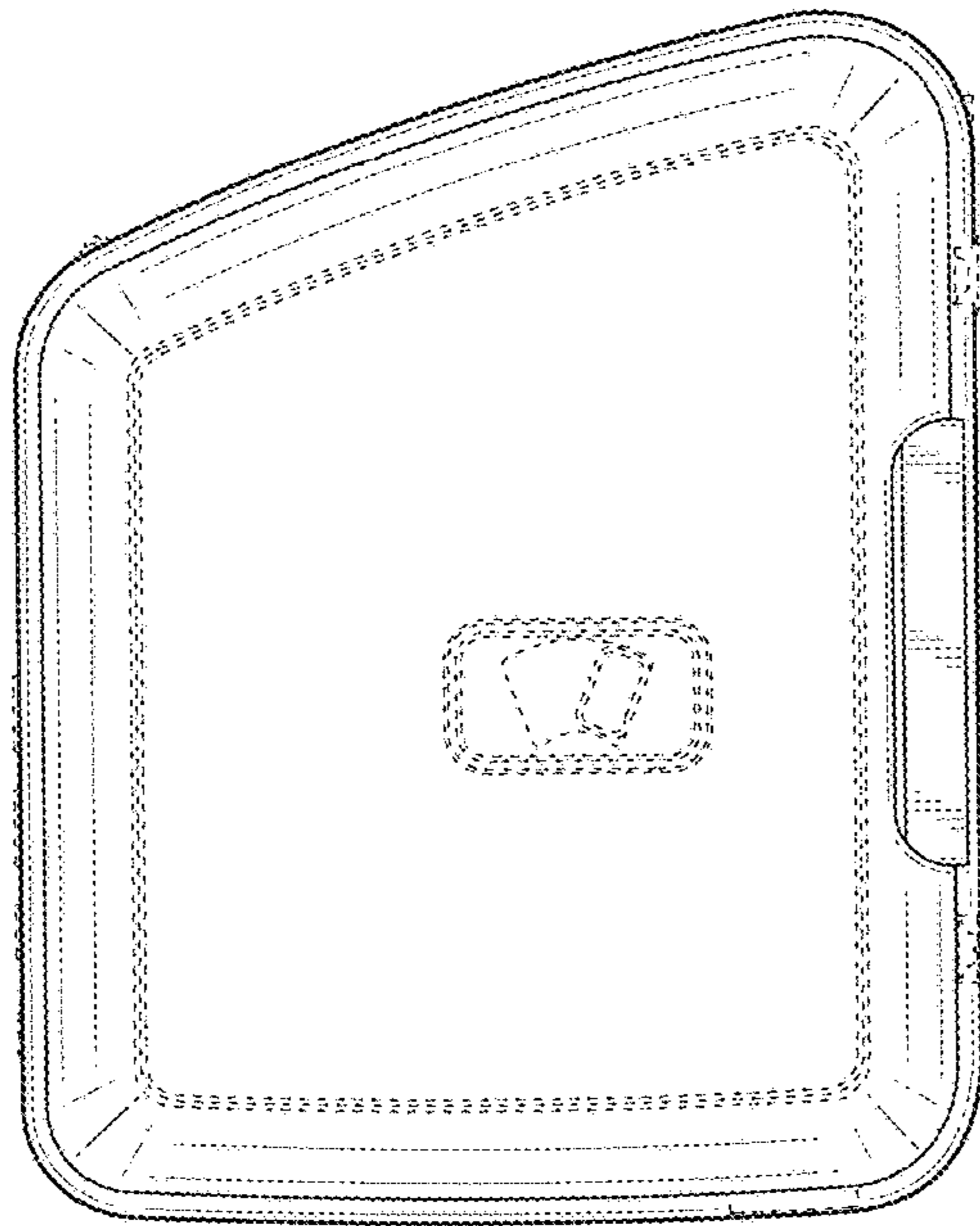


FIG. 4

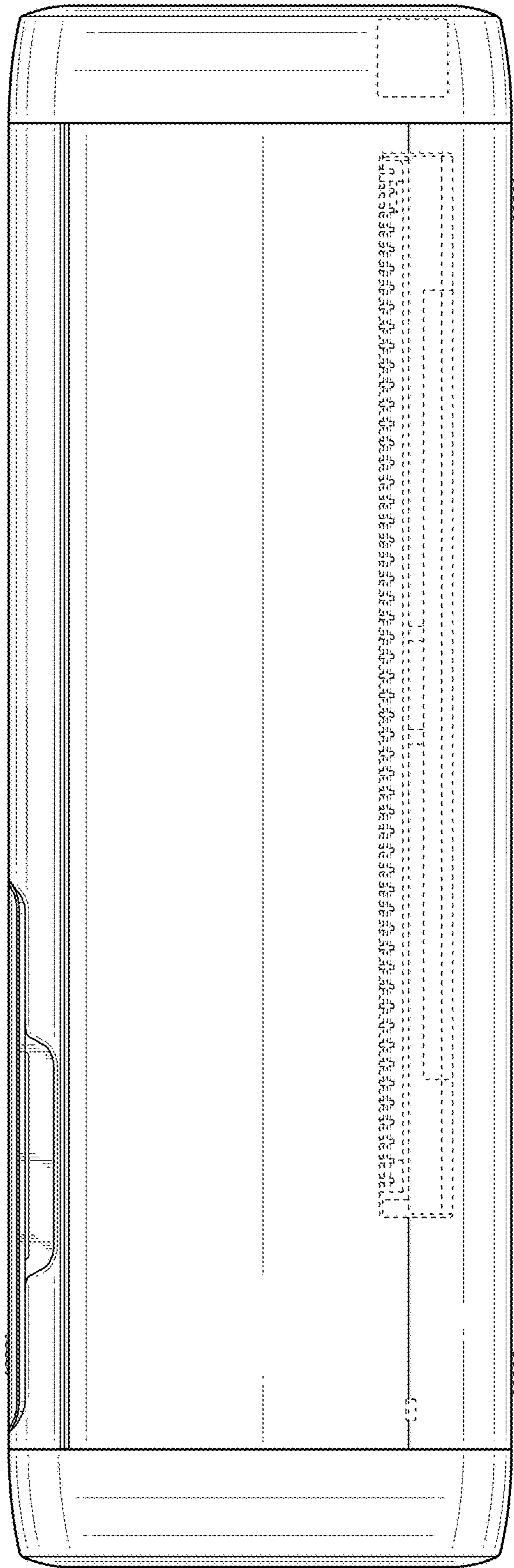


FIG. 6

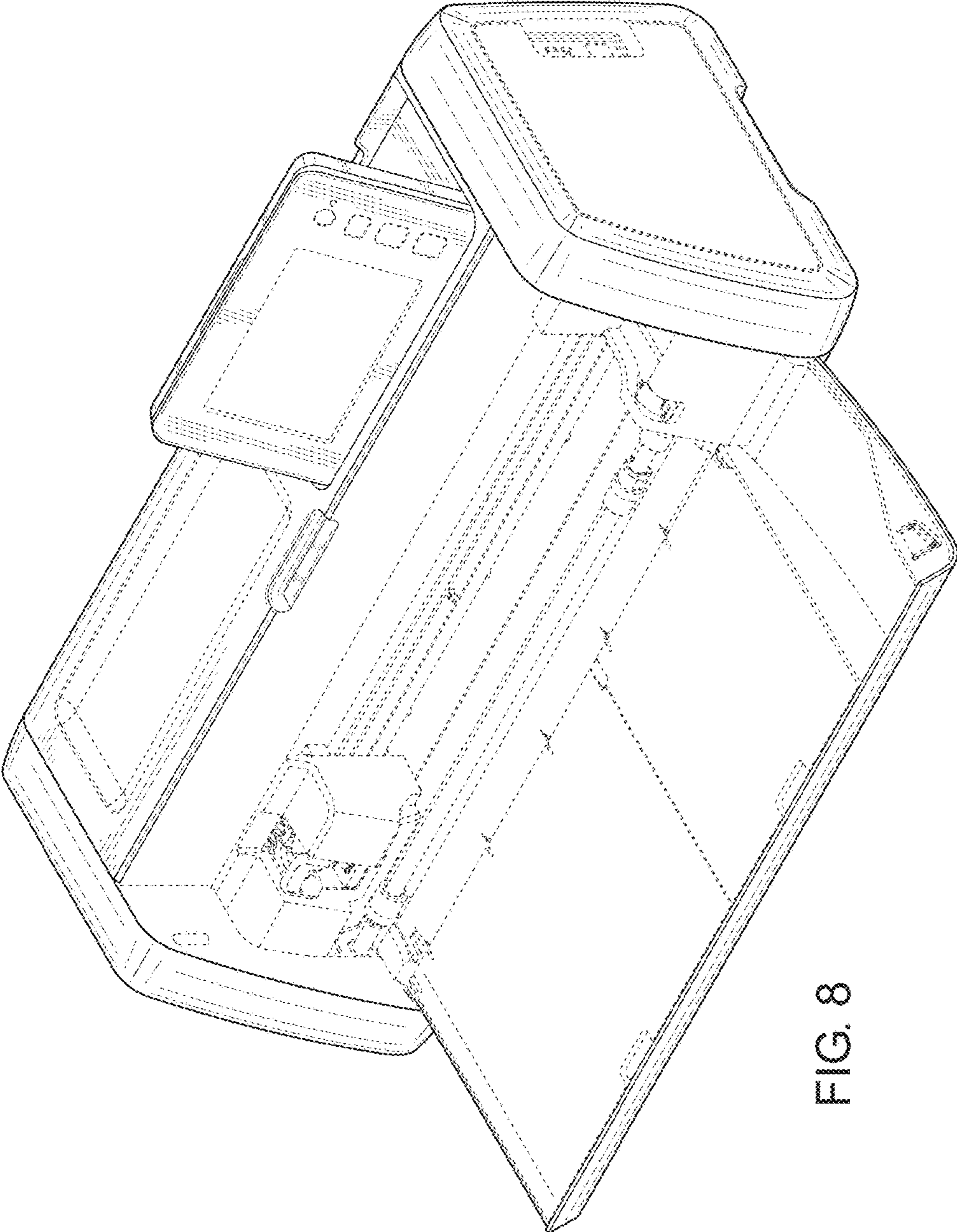


FIG. 8

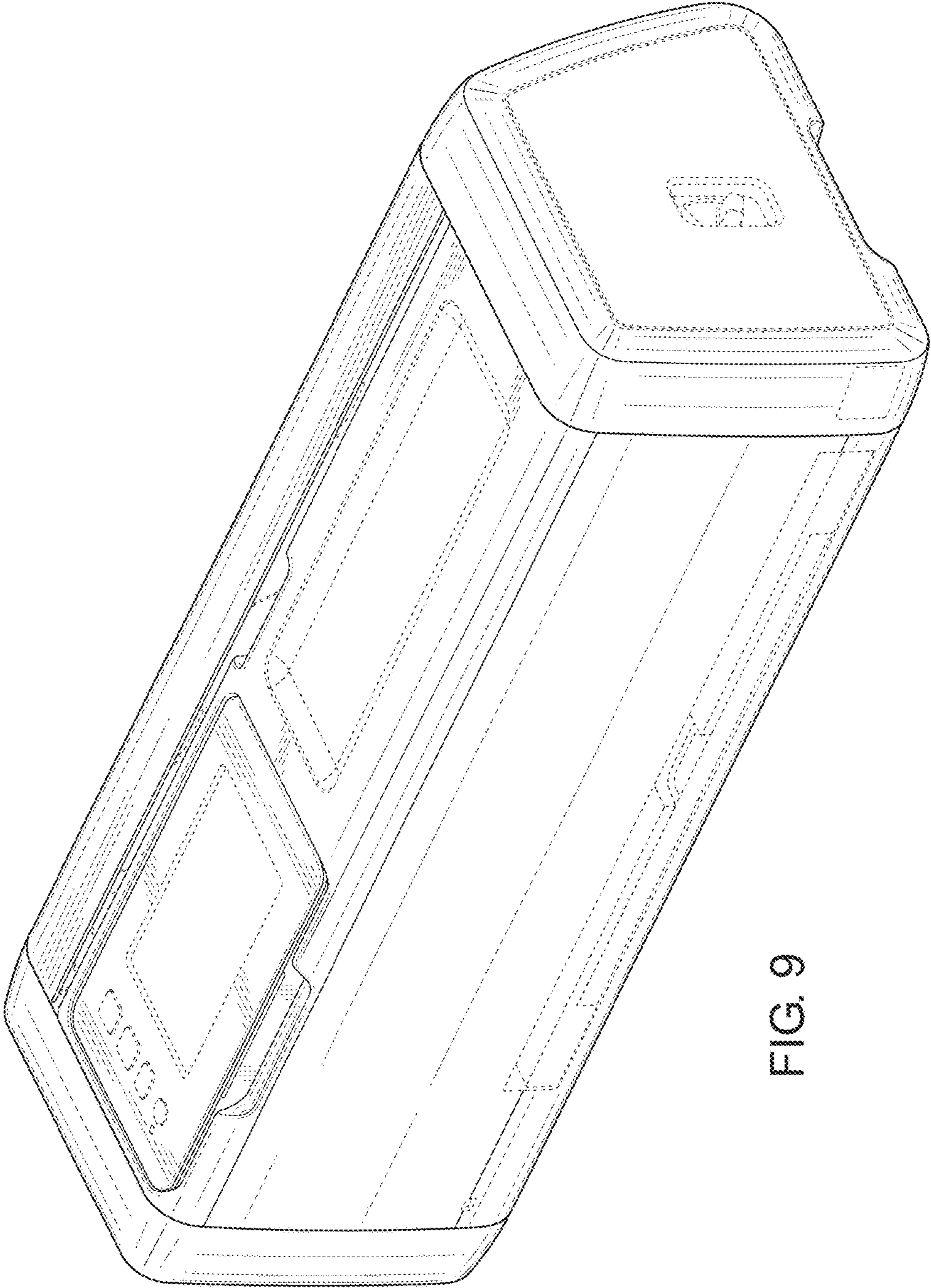


FIG. 9

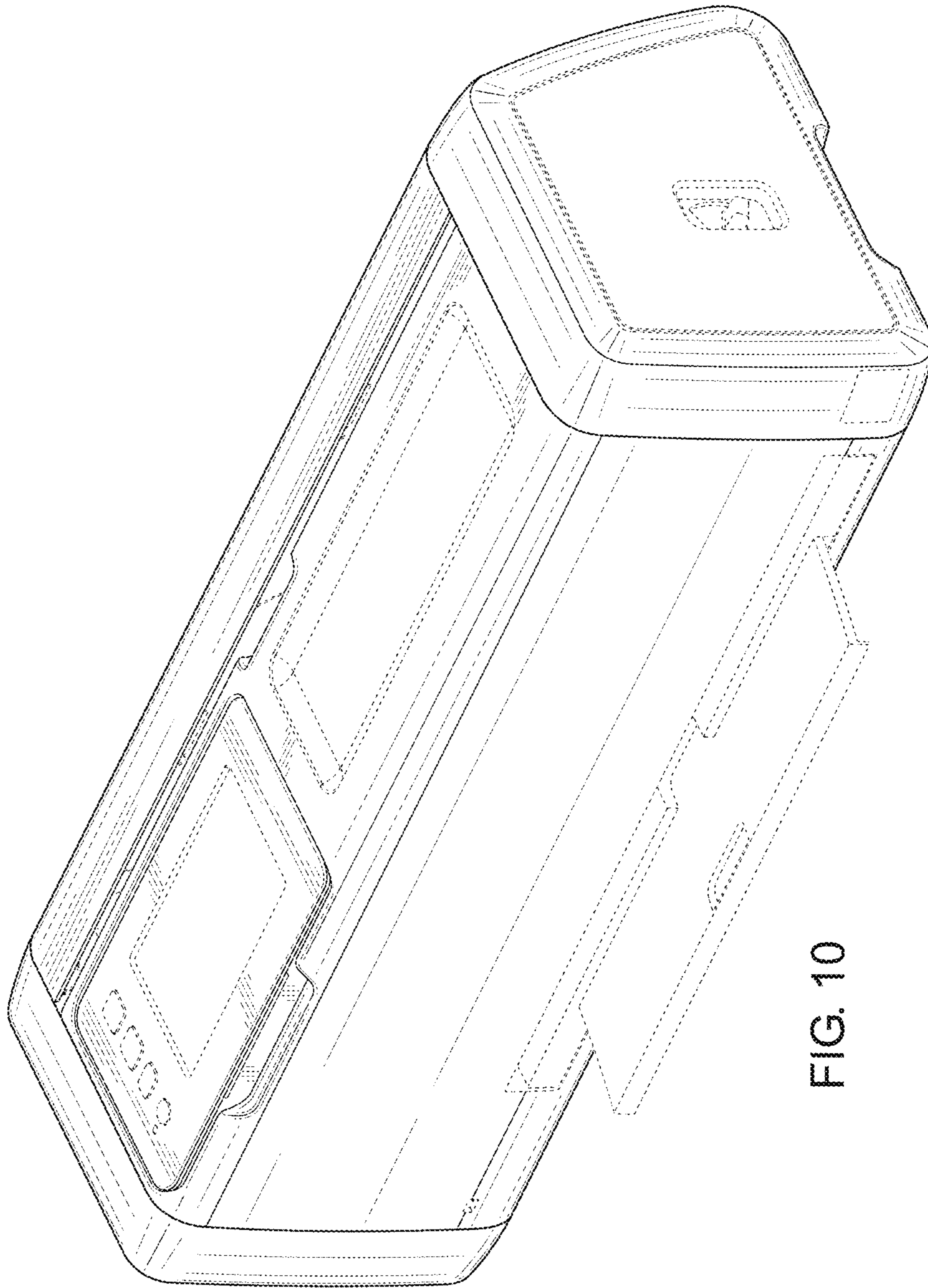


FIG. 10