



US00D832335S

(12) **United States Design Patent** (10) **Patent No.:** **US D832,335 S**  
**Suzuki** (45) **Date of Patent:** **\*\* Oct. 30, 2018**

(54) **PICKUP FOR DRUM**

D581,971 S \* 12/2008 Nakao ..... D17/22  
D618,994 S \* 7/2010 Suzuki ..... D7/387  
D787,585 S \* 5/2017 Allen ..... D17/22

(71) Applicant: **YAMAHA CORPORATION**,  
Hamamatsu-shi (JP)

(72) Inventor: **Toshihide Suzuki**, Hamamatsu (JP)

(73) Assignee: **YAMAHA CORPORATION**,  
Hamamatsu-shi, Shizuoka (JP)

(\*\*) Term: **15 Years**

(21) Appl. No.: **29/587,537**

(22) Filed: **Dec. 14, 2016**

(30) **Foreign Application Priority Data**

Jun. 16, 2016 (JP) ..... 2016-012846

(51) **LOC (11) Cl.** ..... **17-04**

(52) **U.S. Cl.**  
USPC ..... **D17/22**

(58) **Field of Classification Search**

USPC ..... D17/20, 22, 23, 24, 99; D23/200, 201,  
D23/213, 223, 224, 229, 238, 499, 226,  
D23/341, 241; D9/435, 447, 448;  
D21/405

CPC .... G10D 13/003; G10D 13/023; G10D 13/00;  
G10D 3/04; G10D 3/043; G10D 3/06

See application file for complete search history.

(56) **References Cited**

**U.S. PATENT DOCUMENTS**

D166,536 S \* 4/1952 Harris ..... D9/448  
D166,537 S \* 4/1952 Harris ..... D9/448  
D353,612 S \* 12/1994 Yanagisawa ..... D17/22  
D492,342 S \* 6/2004 Kamijima ..... D17/20  
D497,935 S \* 11/2004 Kamijima ..... D17/22

**OTHER PUBLICATIONS**

Sticks, Yamaha introduces new drum triggers; posted Sep. 9, 2016, [online], [site visited Nov. 6, 2017]. Available from Internet, <URL: <https://www.sticks.de/equipment/yamaha-stellt-neue-drum-trigger-vor-dt50k-und-dt50s/>> (Year: 2016).\*

DDrum, DDrum 2016 catalog, created 2016, [online], [site visited Mar. 20, 2018]. Available from Internet, <URL: [http://www.ddrum.com/catalog2016/ddrumcatalog\\_2016\\_mobile.pdf](http://www.ddrum.com/catalog2016/ddrumcatalog_2016_mobile.pdf)> (Year: 2016).\*

\* cited by examiner

*Primary Examiner* — Sheryl Lane

*Assistant Examiner* — Samantha N Wood

(74) *Attorney, Agent, or Firm* — Sughrue Mion, PLLC

(57) **CLAIM**

The ornamental design for a pickup for drum, as shown and described.

**DESCRIPTION**

FIG. 1 is a perspective view of the front, top and left side of a pickup for drum showing my new design;

FIG. 2 is a perspective view of the rear, top and right side thereof;

FIG. 3 is a right side elevation view thereof;

FIG. 4 is a left side elevation view thereof;

FIG. 5 is a rear elevation view thereof;

FIG. 6 is a front elevation view thereof;

FIG. 7 is a top plan view thereof;

FIG. 8 is a bottom plan view thereof; and,

FIG. 9 is a perspective view in an exemplary environment.

The portion shown in broken lines form no part of the claimed design.

**1 Claim, 8 Drawing Sheets**

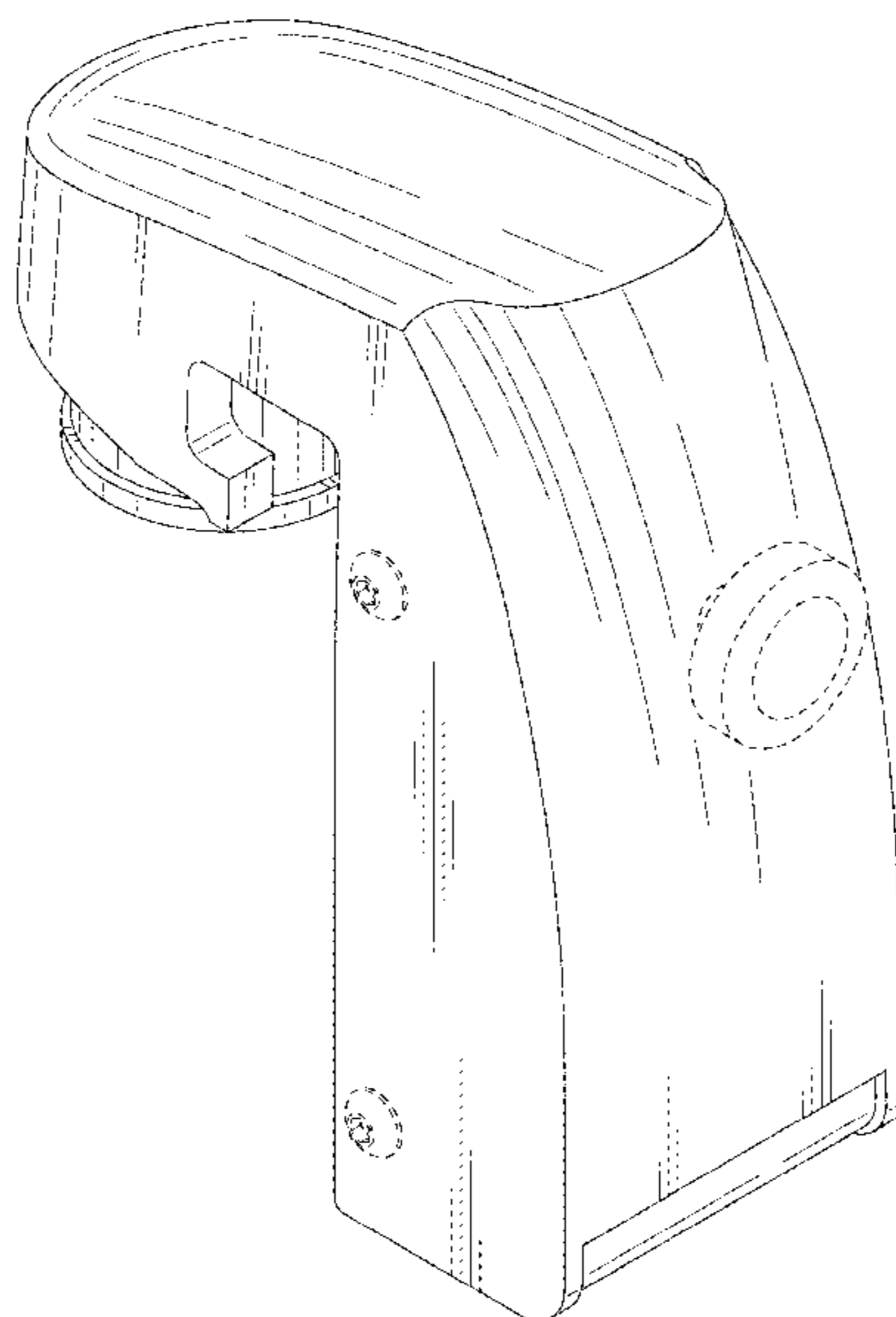


Fig. 1

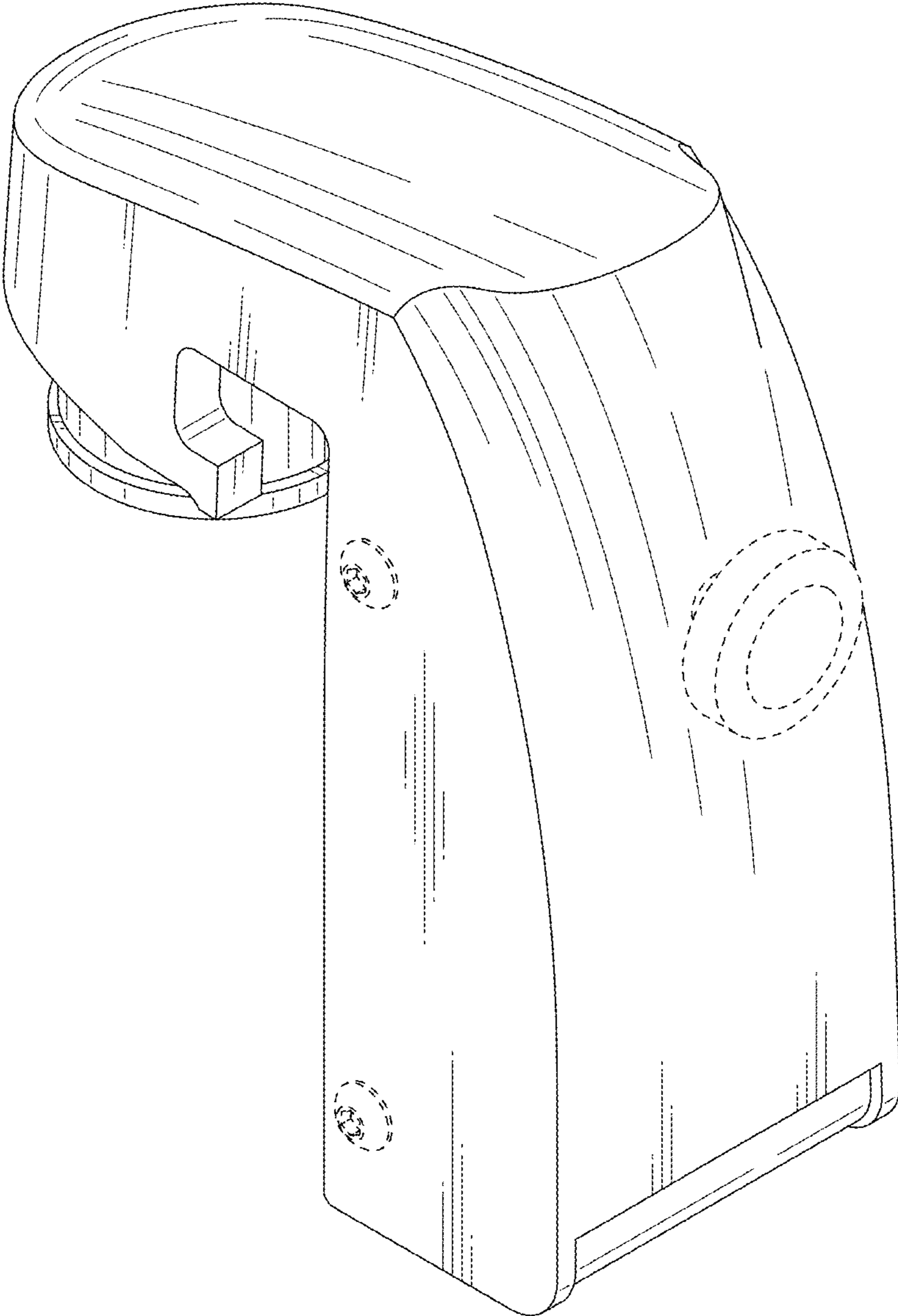


Fig. 2

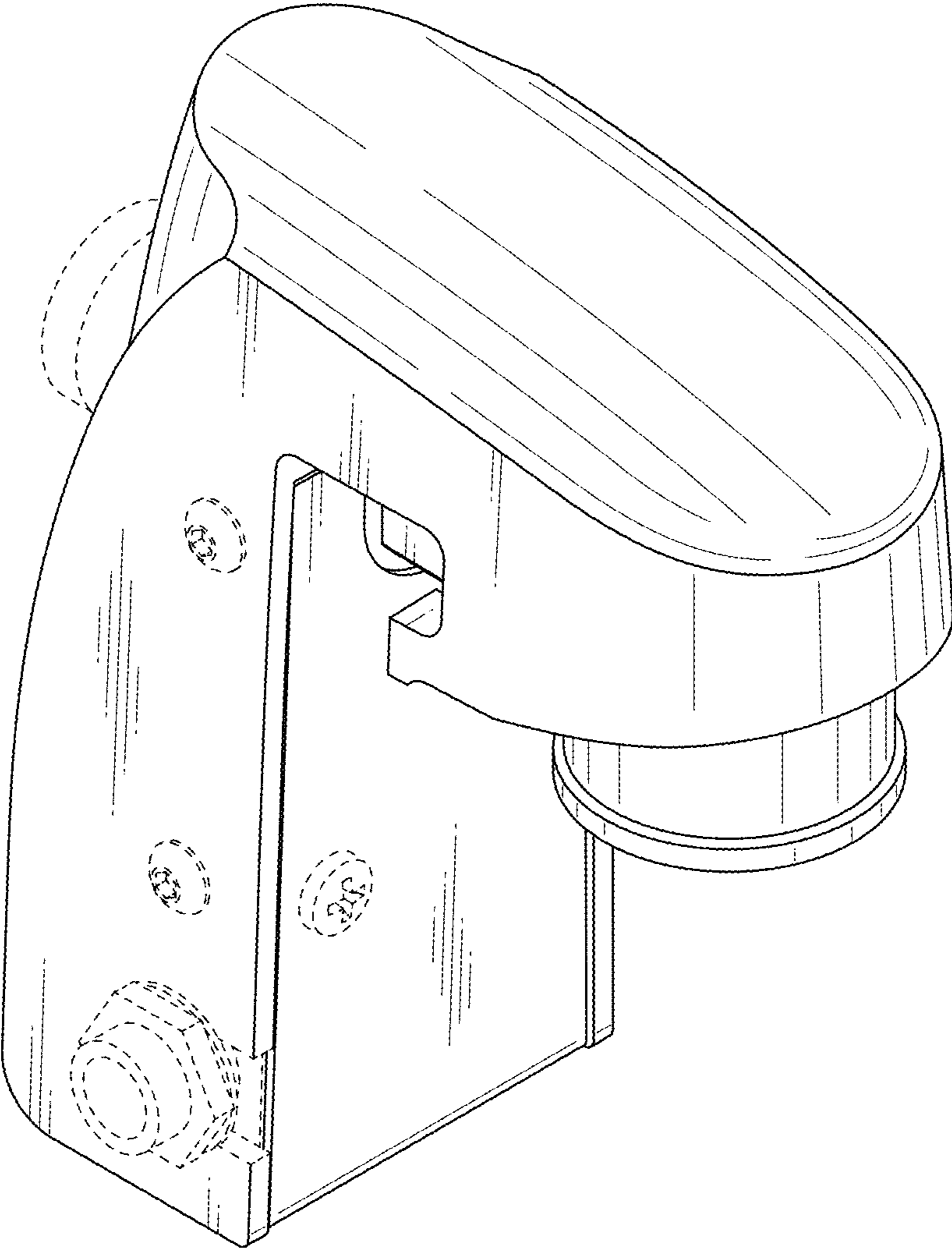


Fig. 3

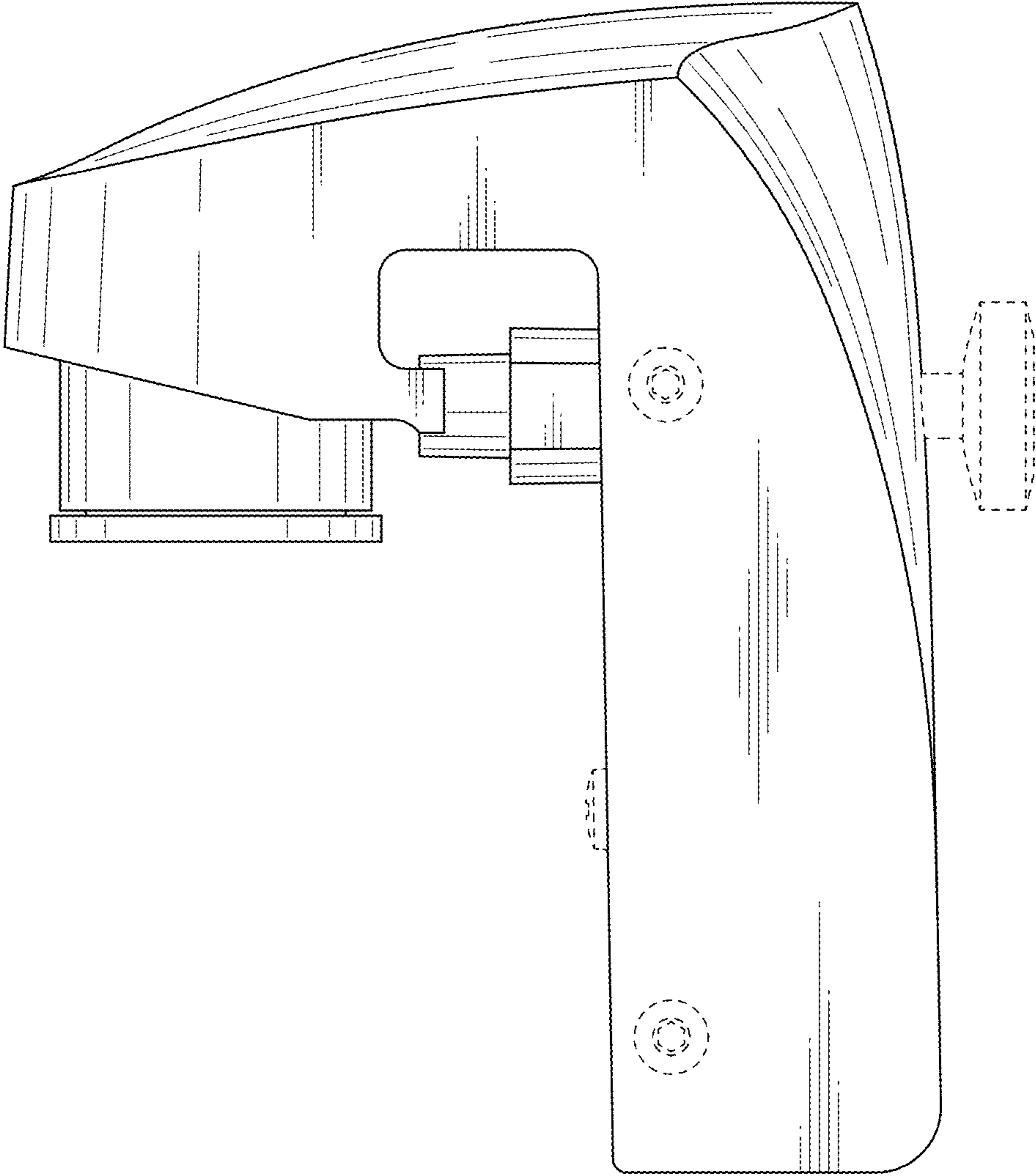


Fig. 4

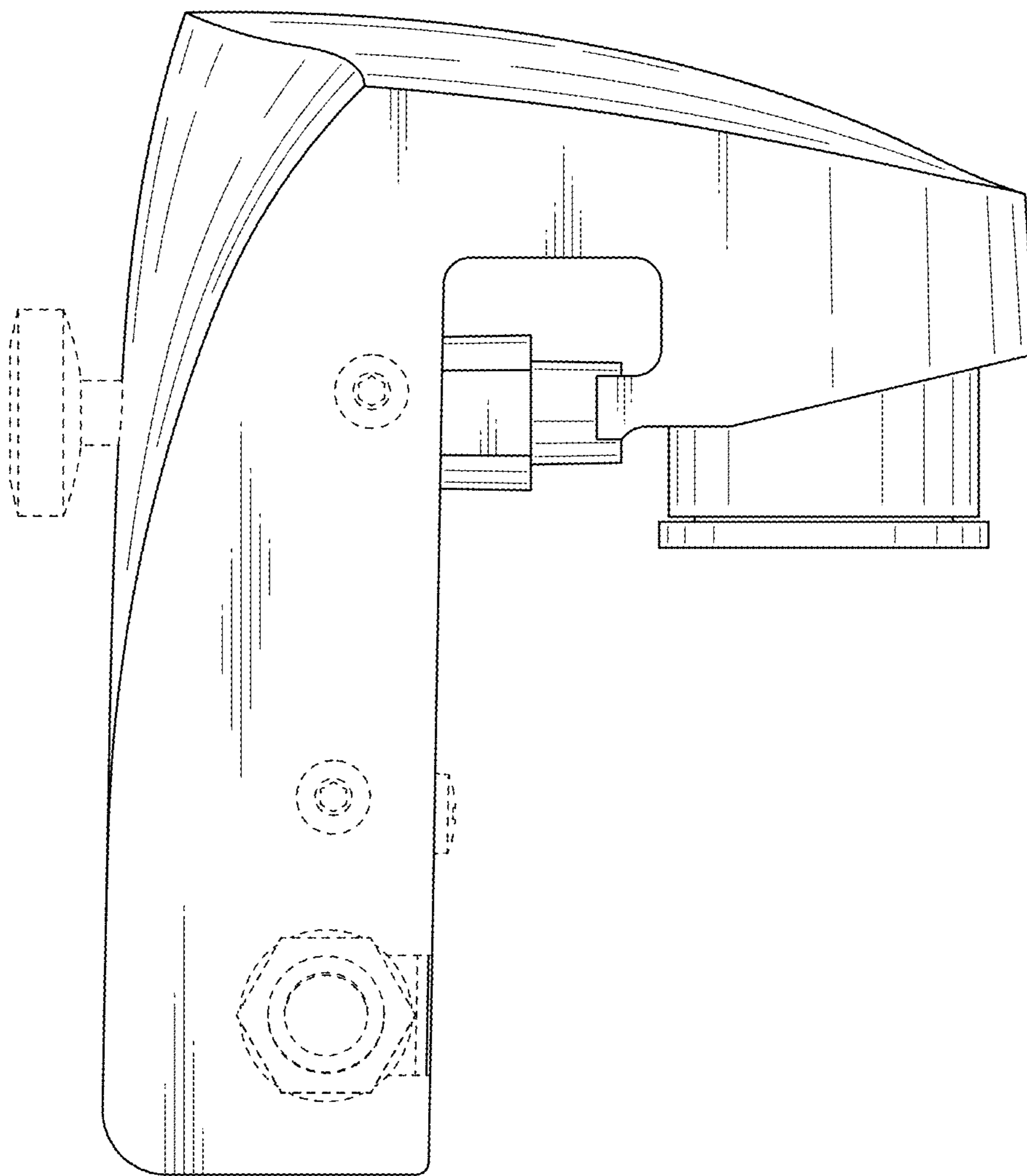


Fig. 5

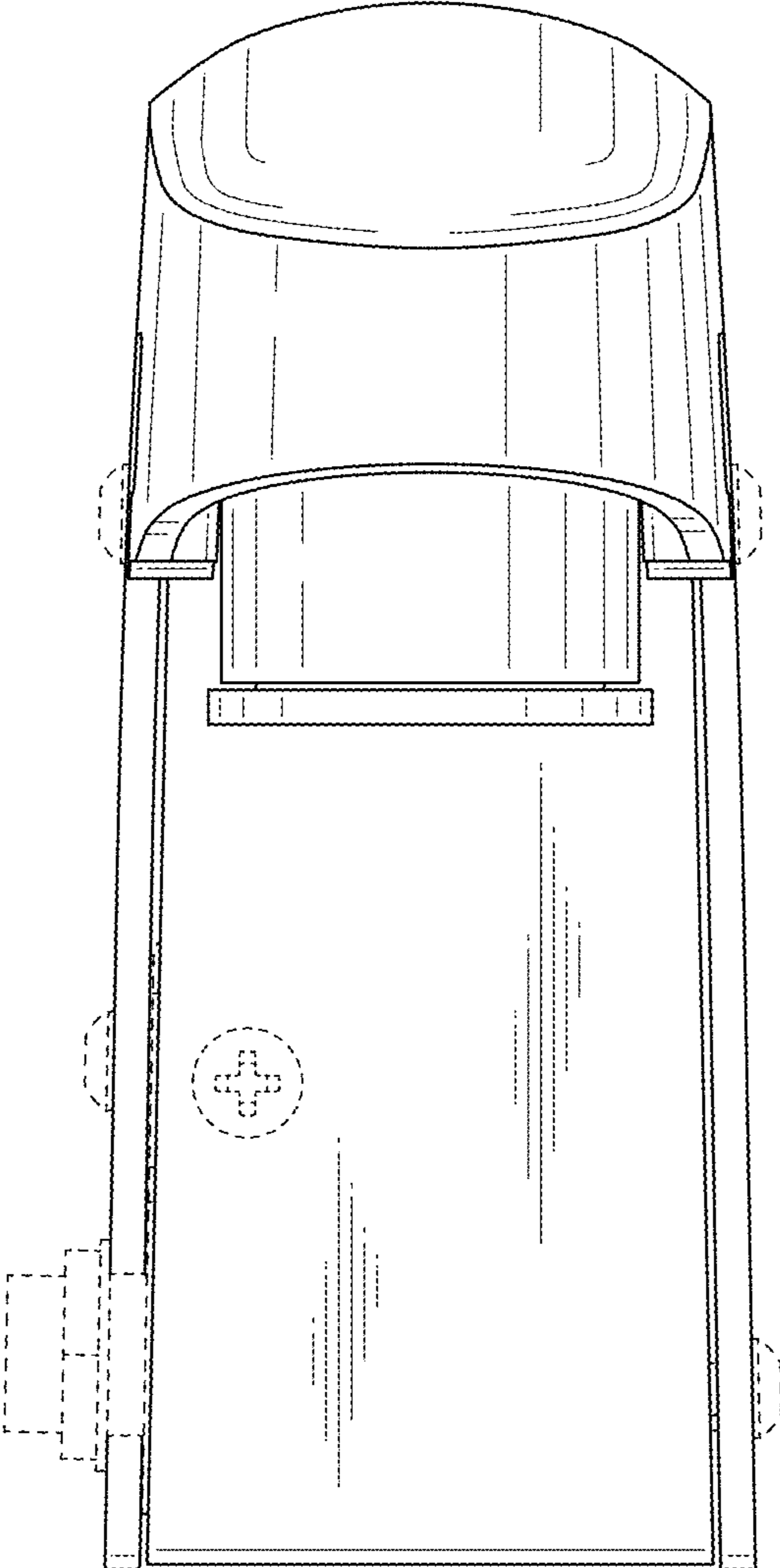




Fig. 6

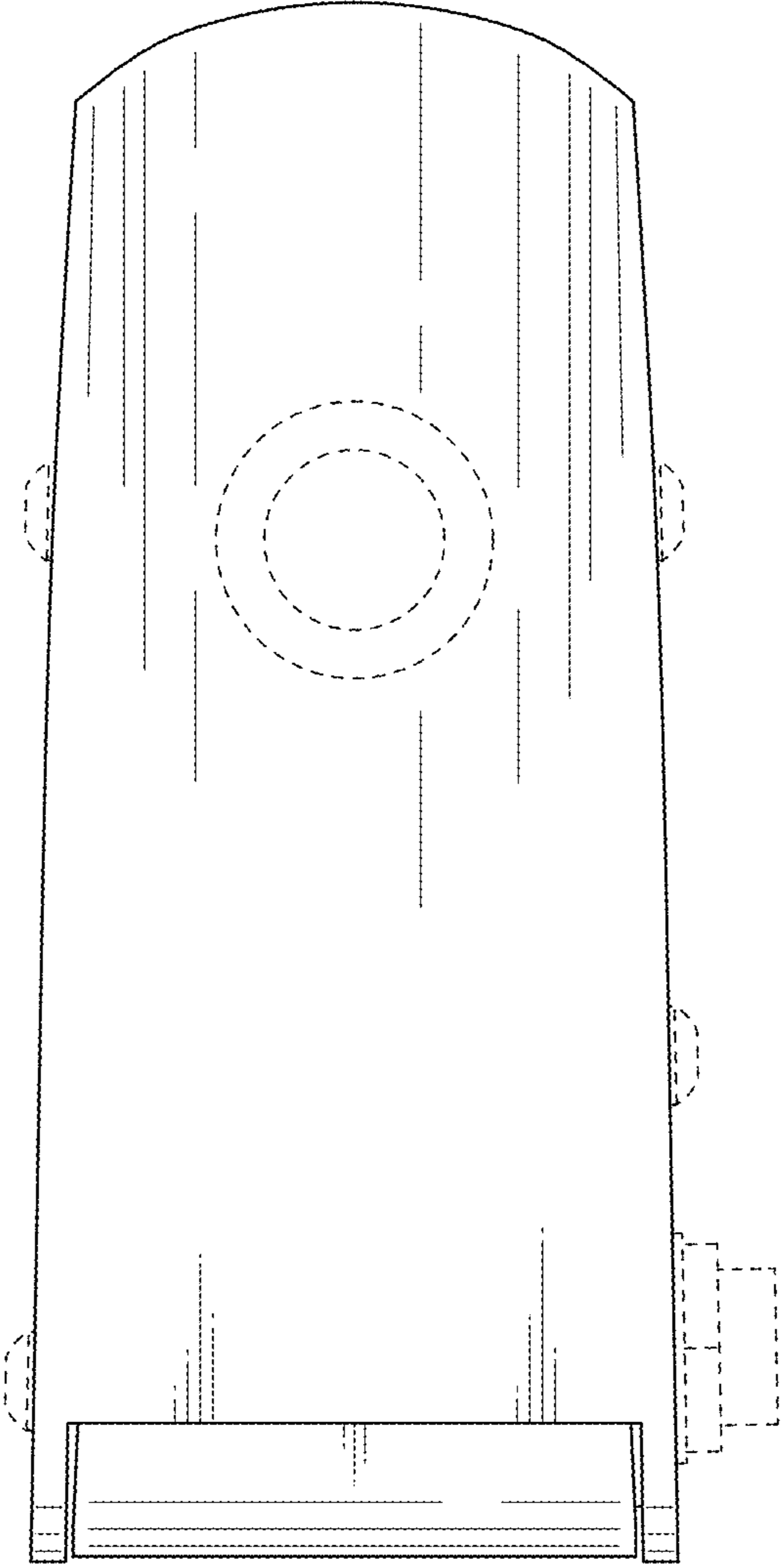


Fig. 7

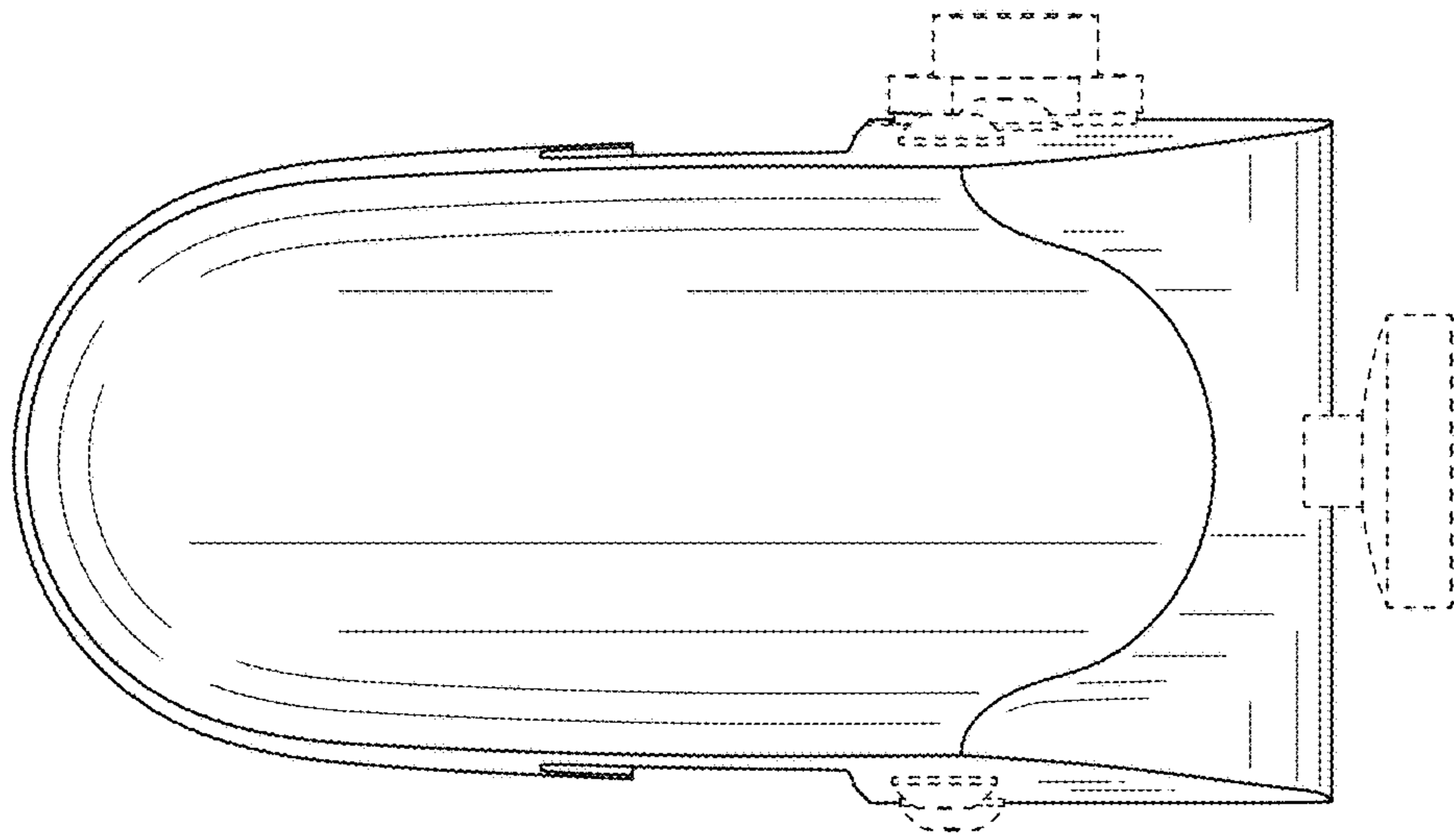


Fig. 8

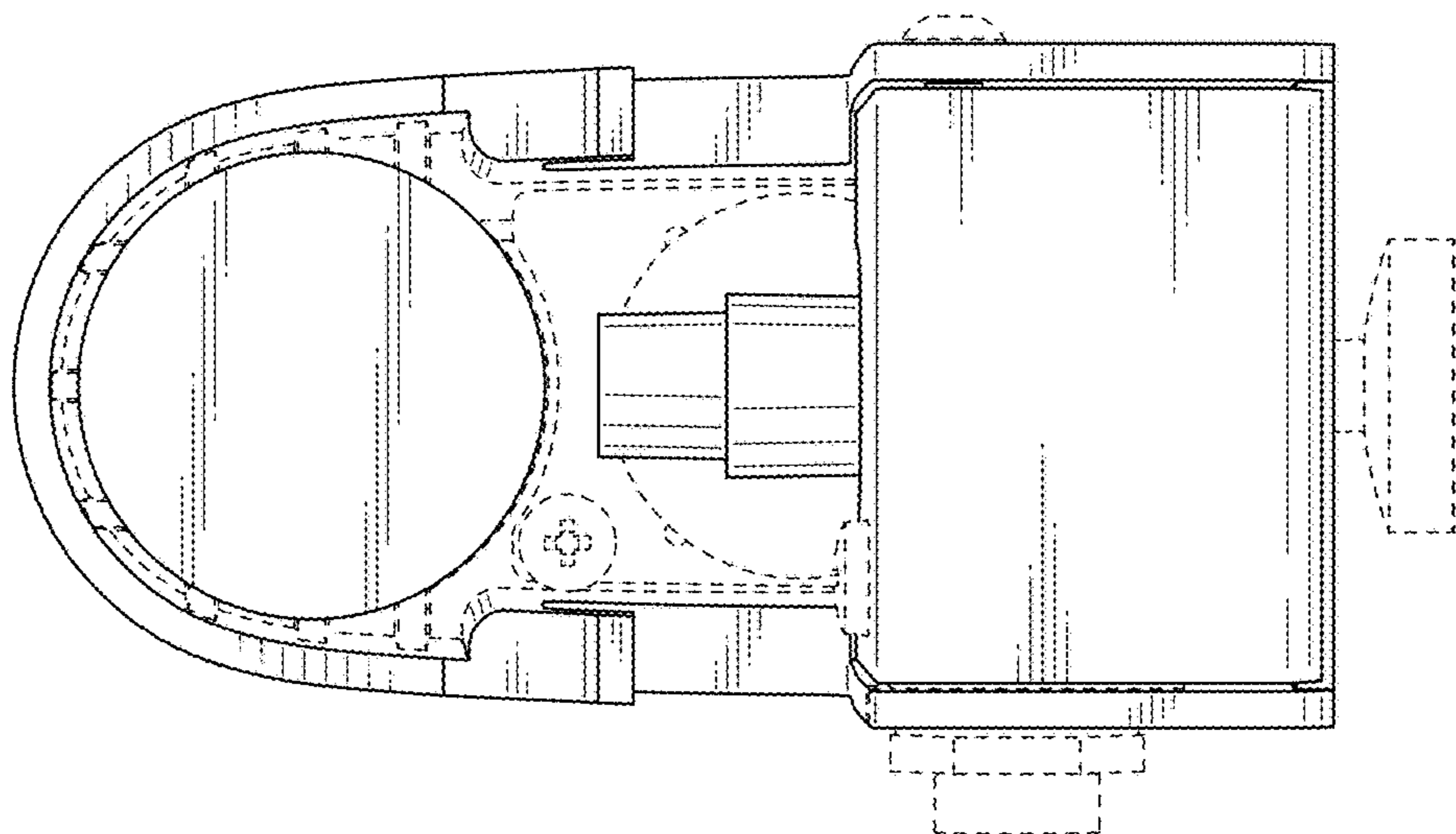




Fig. 9

