



US00D832333S

(12) **United States Design Patent** (10) **Patent No.:** **US D832,333 S**
Kushner et al. (45) **Date of Patent:** **** Oct. 30, 2018**

(54) **PEDAL BOARD**
(71) Applicant: **BandLab Technologies**, Grand Cayman (KY)
(72) Inventors: **Daniel Kushner**, San Rafael, CA (US); **Meng Ru Kuok**, Singapore (SG); **Peter Adam Boeckel**, Tiong Bahru (SG)
(73) Assignee: **BANDLAB TECHNOLOGIES**, Grand Cayman (KY)
(**) Term: **15 Years**
(21) Appl. No.: **29/591,244**
(22) Filed: **Jan. 18, 2017**
(51) **LOC (11) Cl.** **17-03**
(52) **U.S. Cl.**
USPC **D17/20**
(58) **Field of Classification Search**
USPC D17/1, 2, 4, 5, 7-9, 13, 14, 20, 21, 24, D17/99; D19/99-101, 150, 192; D6/329, D6/512-514, 641, 650, 707, 702; D7/550.1, 554.2, 554.3, 698; D10/103; D14/299, 328, 432, 447; D23/393; D21/405, 406, 408, 409, 586; D32/56; D8/354; D25/119
CPC G10H 2220/071; G10H 2220/076; G10H 2220/165; G10H 2220/221; G10H 2220/30; G10H 2220/485; G10H 3/186; G10H 2210/231; G10D 13/023; G10D 13/027; G10D 13/006; G10D 3/006
See application file for complete search history.

Amazon, Voodoo Lab Dingbat Pedalboard, first available Jan. 14, 2017, [online], [site visited on Jan. 16, 2018]. Available from Internet, <URL: <https://www.amazon.com/Voodoo-Lab-Dingbat-Medium-Pedalboard/dp/B01N5PE646>> (Year: 2017).*
Vision Guitar, Temple Audio Design Solo 18, webarchive on Jul. 27, 2015, [online], [site visited on Jan. 10, 2018]. Available from Internet, <URL: <https://web.archive.org/web/20150727052421/http://visionguitar.com/shop/temple-audio-design-solo-18-18-x-8-5-pedalboard-wsoft-case-temple-red/>> (Year: 2015).*

* cited by examiner

Primary Examiner — Sheryl Lane
Assistant Examiner — Samantha N Wood
(74) *Attorney, Agent, or Firm* — Occhiuti & Rohlicek LLP

(57) **CLAIM**

The ornamental design for a pedal board, as shown and described.

DESCRIPTION

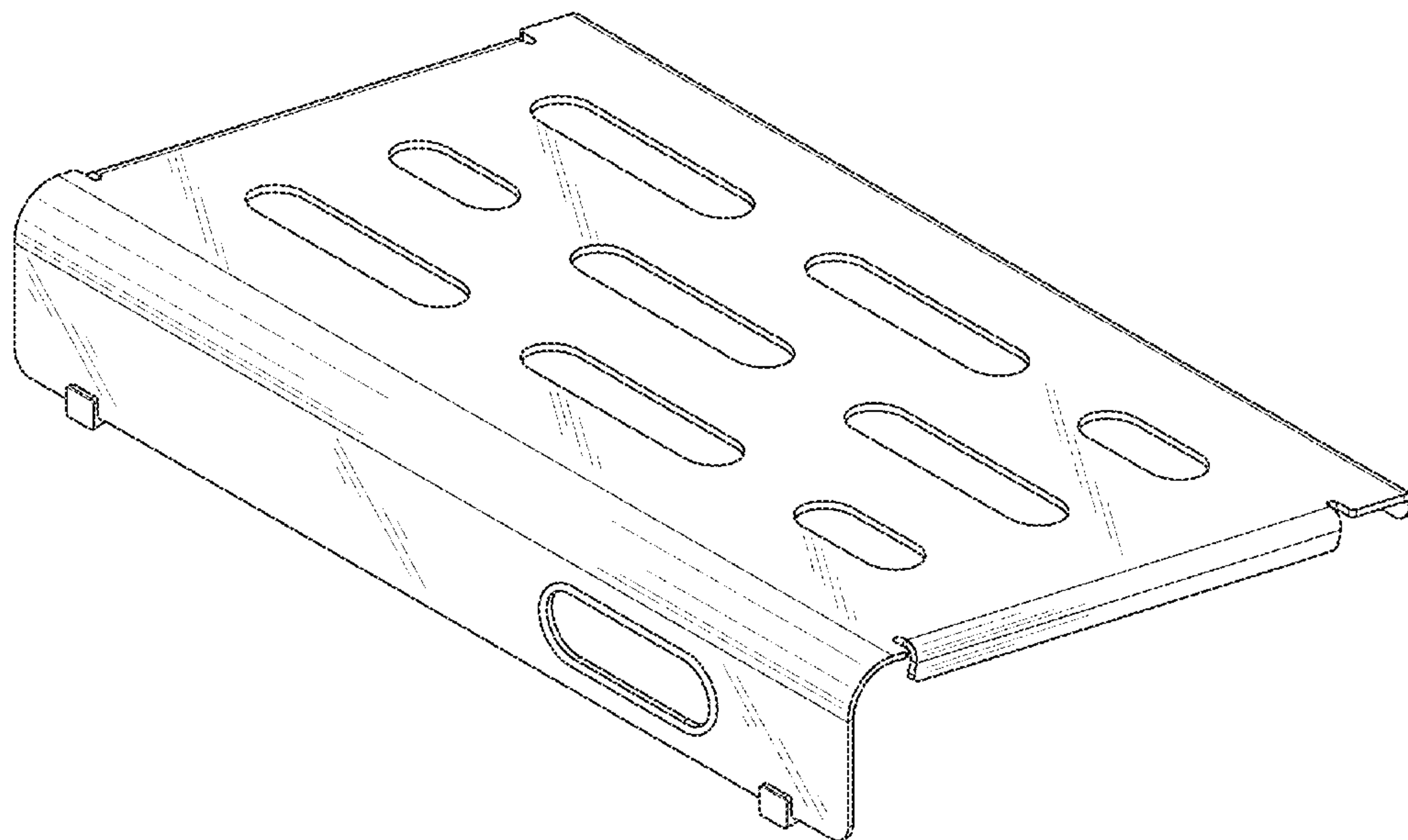
FIG. 1 is a front perspective view of a pedal board according to our new design;
FIG. 2 is a front view of the pedal board of FIG. 1;
FIG. 3 is a right side view of the pedal board of FIG. 1, the left side view of the pedal board is a mirror image of the right side view;
FIG. 4 is a rear view of the pedal board of FIG. 1; and,
FIG. 5 is a top view of the pedal board of FIG. 1.
Any features of the new design shown in broken lines are shown for illustrative purposes only and form no part of the claimed design.

1 Claim, 5 Drawing Sheets

(56) **References Cited**

PUBLICATIONS

Premier Guitar, DIY Pedalboard build, posted on Sep. 13, 2013, [online], [site visited on Jan. 10, 2018]. Available from Internet, <URL: <https://www.premierguitar.com/articles/19635-diy-pedalboard-build?page=4>> (Year: 2013).*



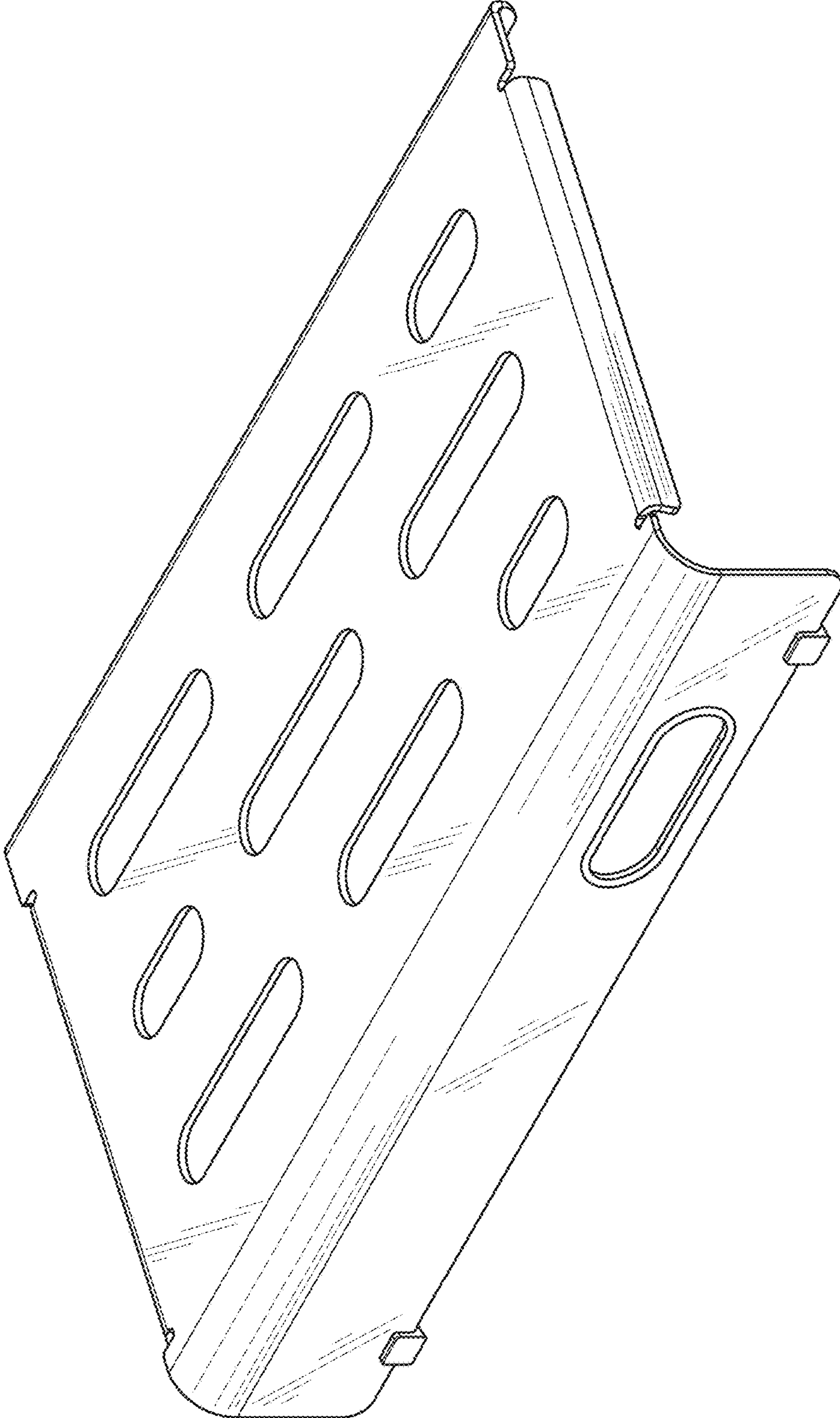


FIG. 1

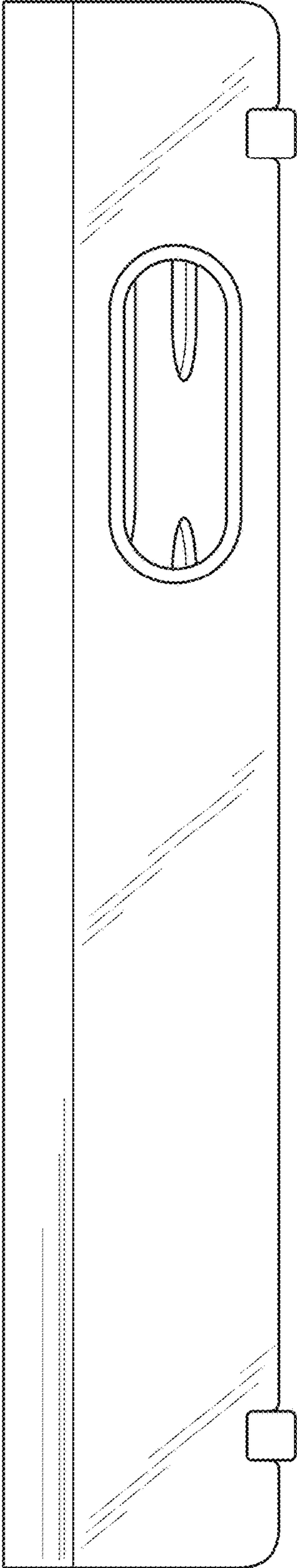


FIG. 2

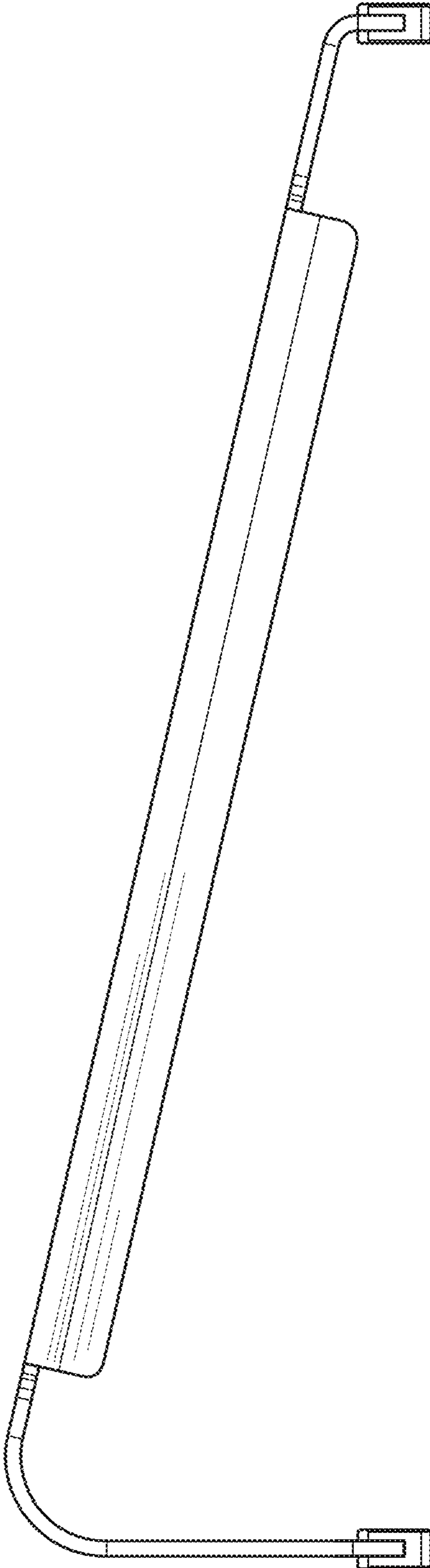


FIG. 3

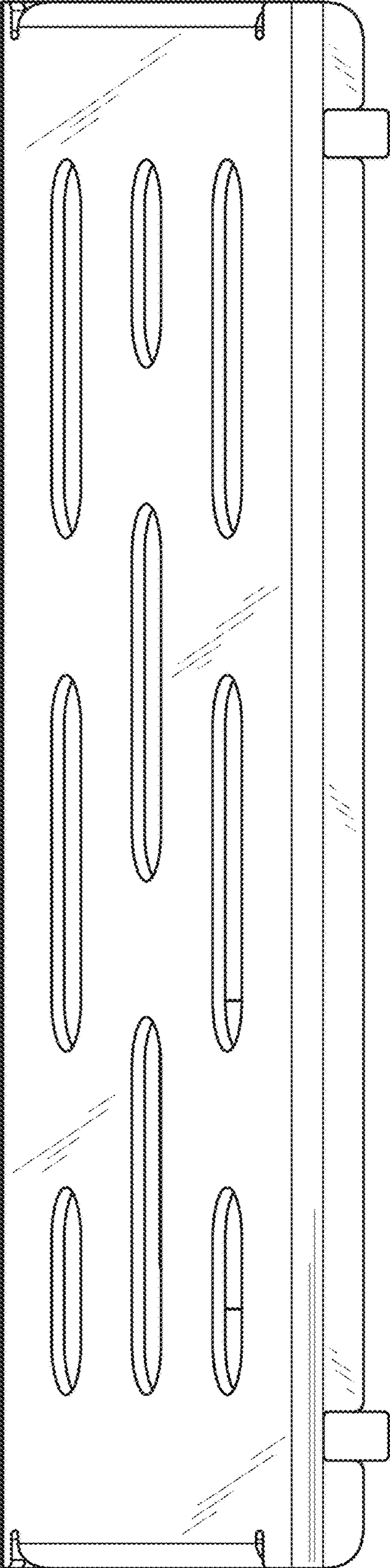


FIG. 4

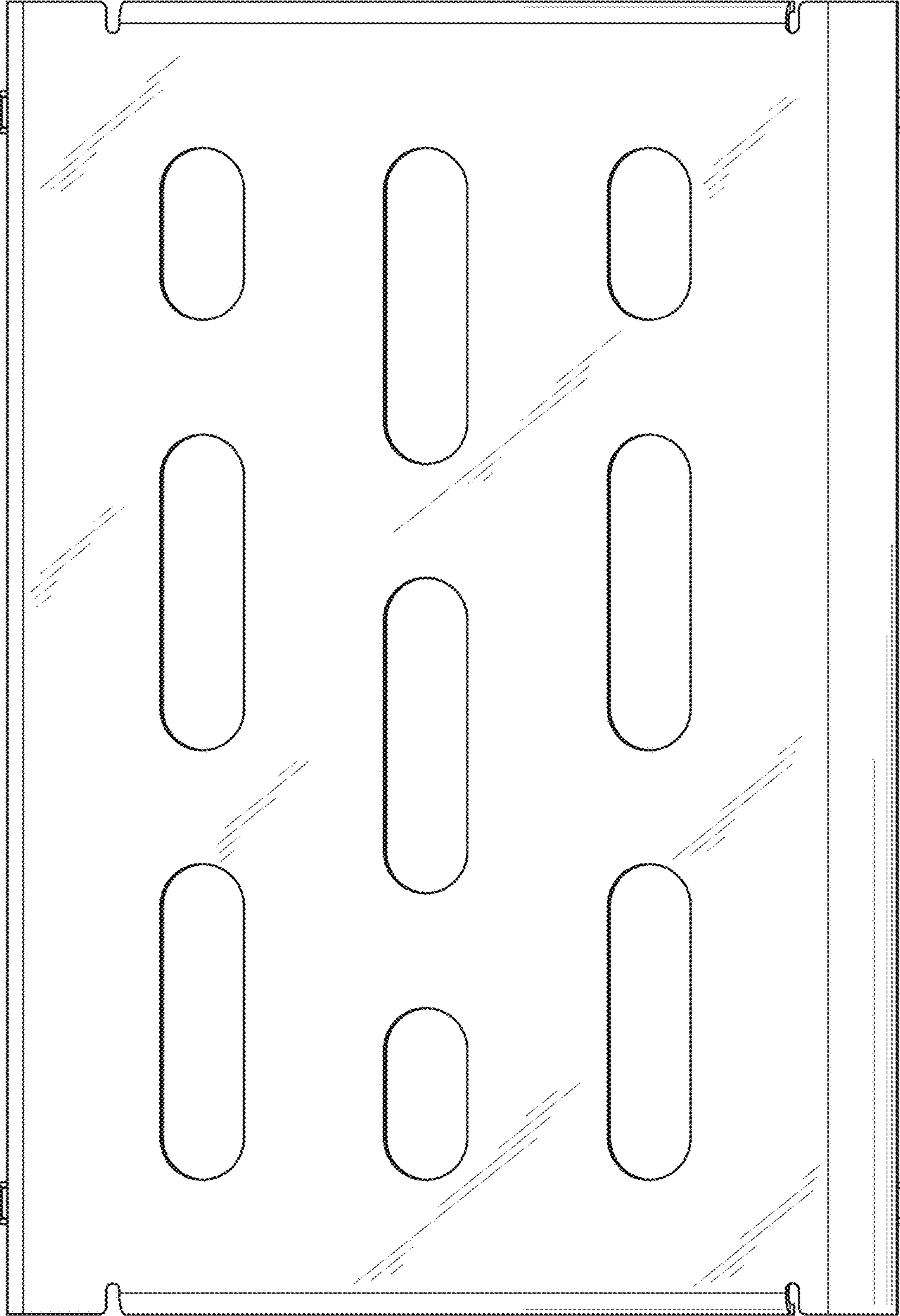


FIG. 5