

US00D832330S

(12) **United States Design Patent** (10) **Patent No.:** **US D832,330 S**  
**Ahman et al.** (45) **Date of Patent:** **\*\* Oct. 30, 2018**

(54) **MONITORING CAMERA HOUSING**

(71) Applicant: **AXIS AB**, Lund (SE)

(72) Inventors: **Daniel Ahman**, Lomma (SE); **Morten Bergstrom**, Lund (SE); **Mathias Walter**, Arlov (SE); **Malte Lennerstedt**, Lund (SE)

(73) Assignee: **AXIS AB**, Lund (SE)

(\*\*) Term: **15 Years**

(21) Appl. No.: **29/626,771**

(22) Filed: **Nov. 20, 2017**

**Related U.S. Application Data**

(62) Division of application No. 29/589,110, filed on Dec. 28, 2016.

(30) **Foreign Application Priority Data**

Jun. 30, 2016 (EM) ..... 003255710

(51) **LOC (11) Cl.** ..... **16-01**

(52) **U.S. Cl.**  
USPC ..... **D16/203**

(58) **Field of Classification Search**

USPC ..... D16/200, 202–208, 218, 219, 242;  
348/143, 148, 151, 373–376; 396/419,  
396/427, 535, 539–541; 248/176.1, 187.1  
CPC ..... G03B 17/02; G03B 19/04; G03B 17/56;  
G03B 17/04; G03B 15/03; H04N 5/2251;  
H04N 5/2252; H04N 5/2253; H04N  
5/2254; H04N 7/181; H04N 7/183; H04N  
7/18

See application file for complete search history.

(56) **References Cited**

**U.S. PATENT DOCUMENTS**

D409,641 S 5/1999 Uehara  
D540,360 S 4/2007 Yamakawa

D606,572 S 12/2009 Samson et al.  
D612,408 S 3/2010 Yamakawa  
D613,784 S 4/2010 Wang et al.  
D614,222 S 4/2010 Yamakawa  
D633,543 S 3/2011 Park  
D642,607 S 8/2011 Bergstrom et al.  
D643,454 S 8/2011 Zaliauskas et al.  
D666,660 S 9/2012 Amit et al.  
D684,619 S 6/2013 Chapple et al.  
D691,187 S \* 10/2013 Seo ..... D16/203  
D705,843 S 5/2014 Kawai  
D732,100 S \* 6/2015 Jeong ..... D16/203  
D732,597 S \* 6/2015 Celler ..... D16/203  
D739,888 S 9/2015 Liang

(Continued)

**FOREIGN PATENT DOCUMENTS**

TW D111901 2/1994  
TW D130662 9/2009

*Primary Examiner* — Philip S Hyder

*Assistant Examiner* — Ramzi S Almatrahi

(74) *Attorney, Agent, or Firm* — Volpe and Koenig, P.C.

(57) **CLAIM**

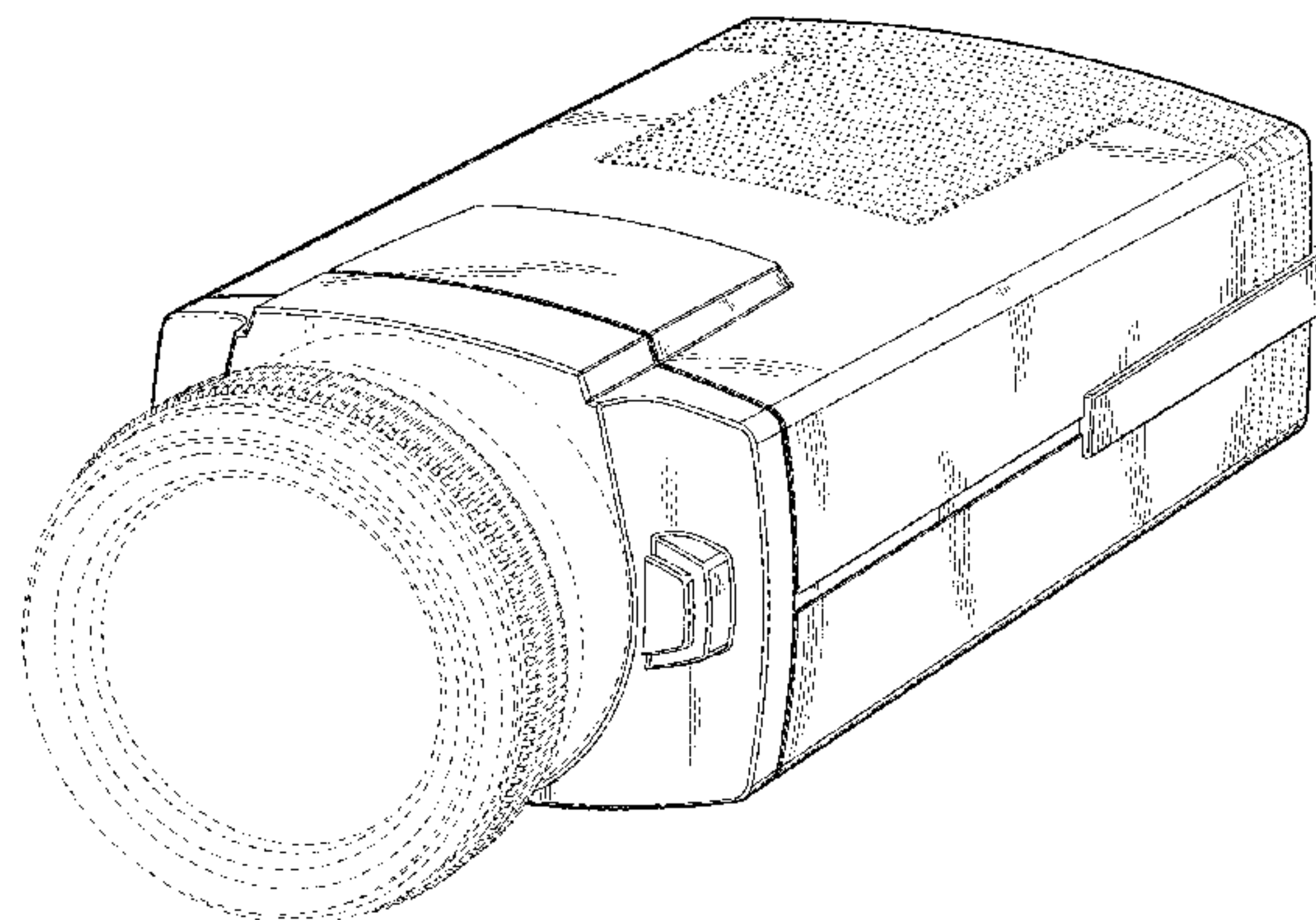
The ornamental design for a monitoring camera housing, as shown and described.

**DESCRIPTION**

FIG. 1 is a perspective view of a monitoring camera housing showing our new design;  
FIG. 2 is a front elevational view thereof;  
FIG. 3 is a top plan view thereof;  
FIG. 4 is a right side elevational view thereof;  
FIG. 5 is a left side elevational view thereof;  
FIG. 6 is a rear elevational view thereof; and,  
FIG. 7 is a bottom plan view thereof.

The broken lines depict portions of the monitoring camera housing in which the design is embodied that form no part of the claimed design.

**1 Claim, 4 Drawing Sheets**



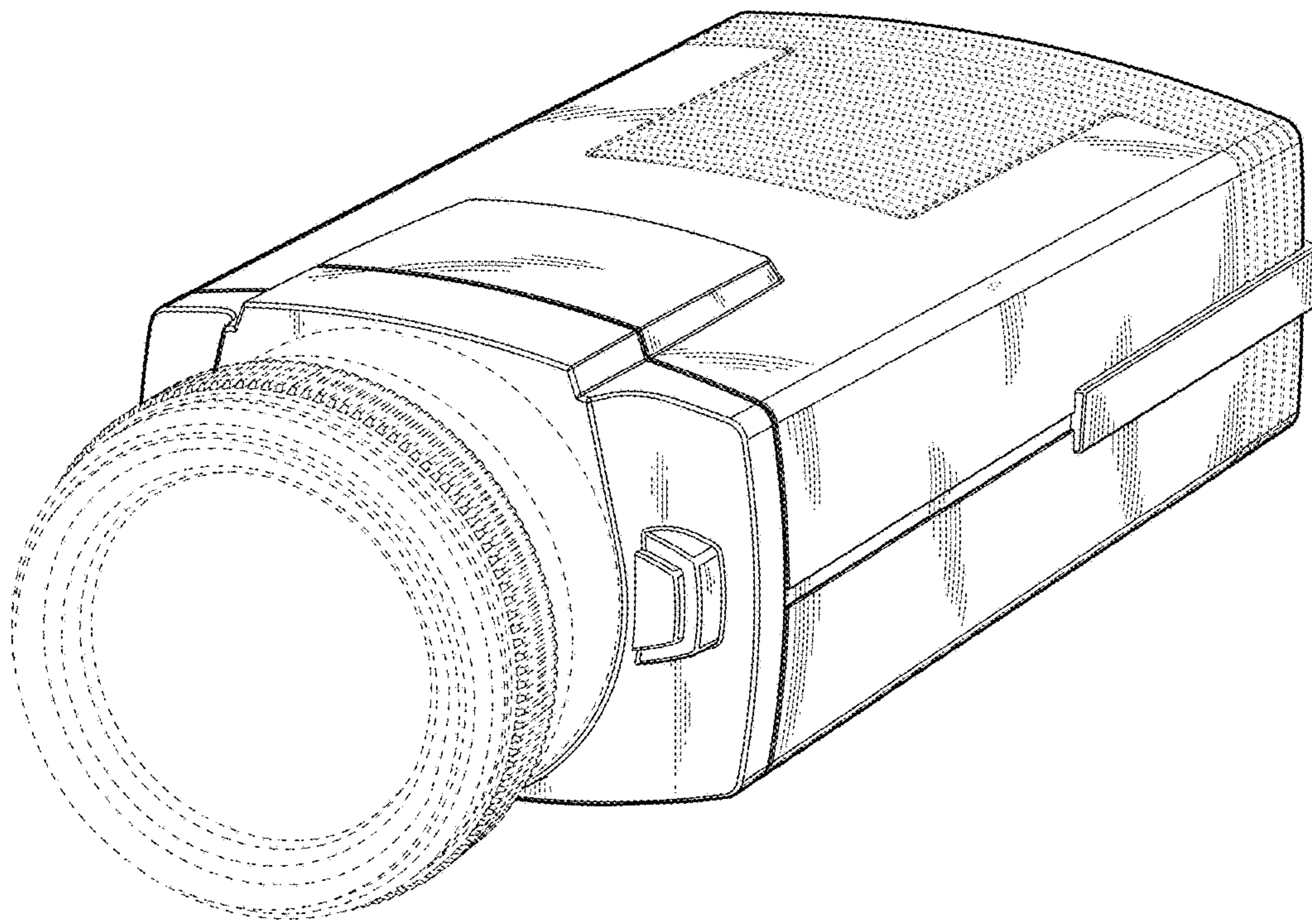
(56)

**References Cited**

U.S. PATENT DOCUMENTS

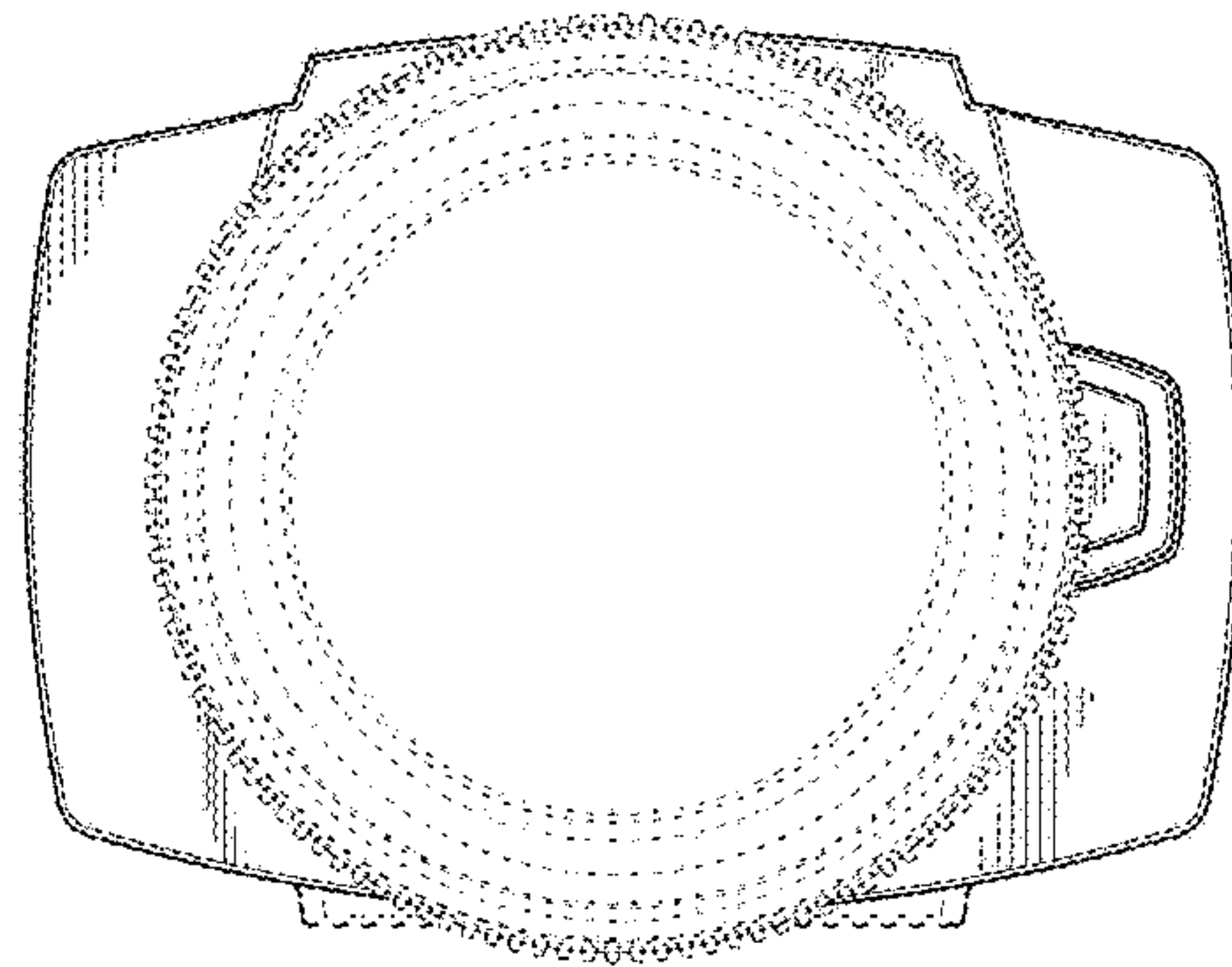
D741,933	S	*	10/2015	Bergstrom	.....	D16/203
D744,022	S		11/2015	Petty et al.		
D748,710	S	*	2/2016	Bergstrom	.....	D16/203
D768,749	S	*	10/2016	Koppetz	.....	D16/202
D792,919	S	*	7/2017	Ryu	.....	D16/218
D809,046	S	*	1/2018	Hatcher	.....	D16/202
D812,670	S	*	3/2018	Andersson	.....	D16/203
2011/0052179	A1		3/2011	Jung et al.		
2011/0298925	A1		12/2011	Inoue et al.		

\* cited by examiner

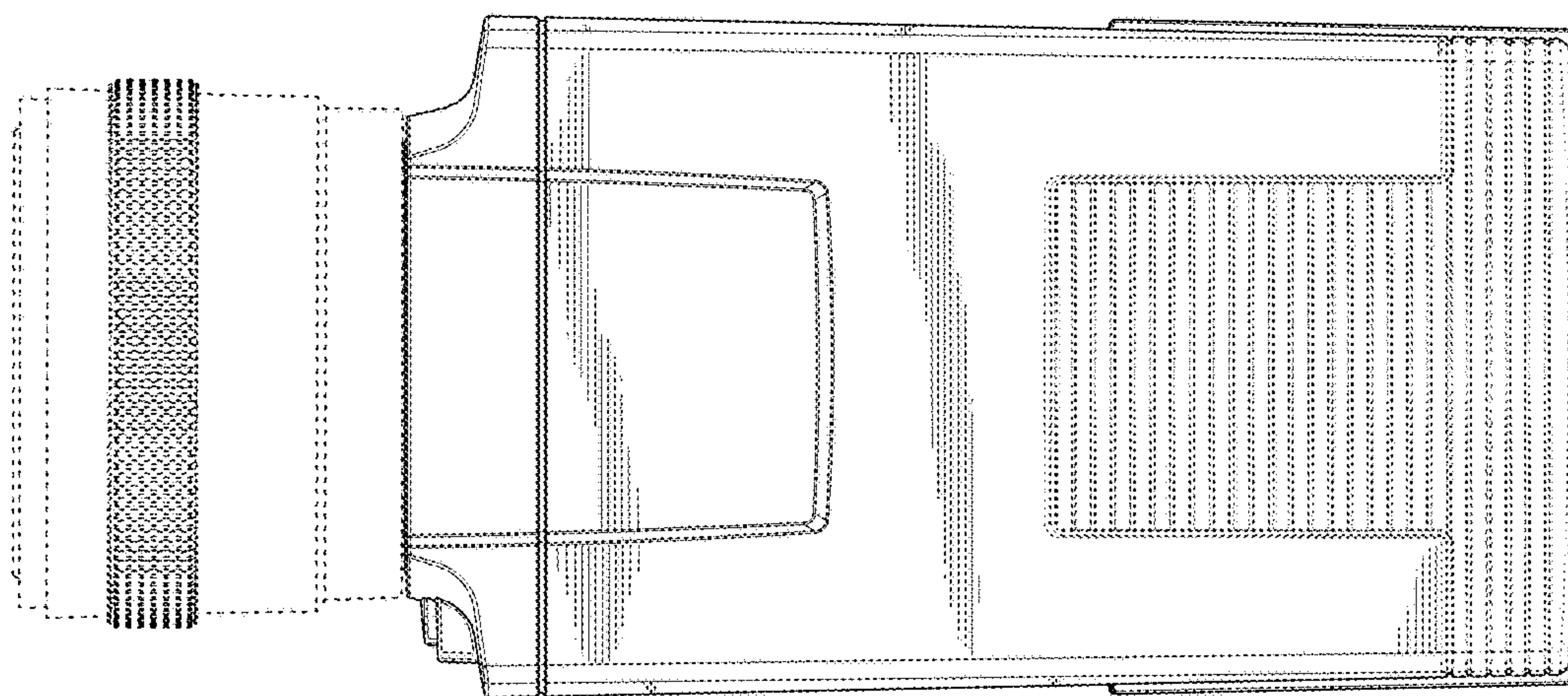


*Fig. 1*

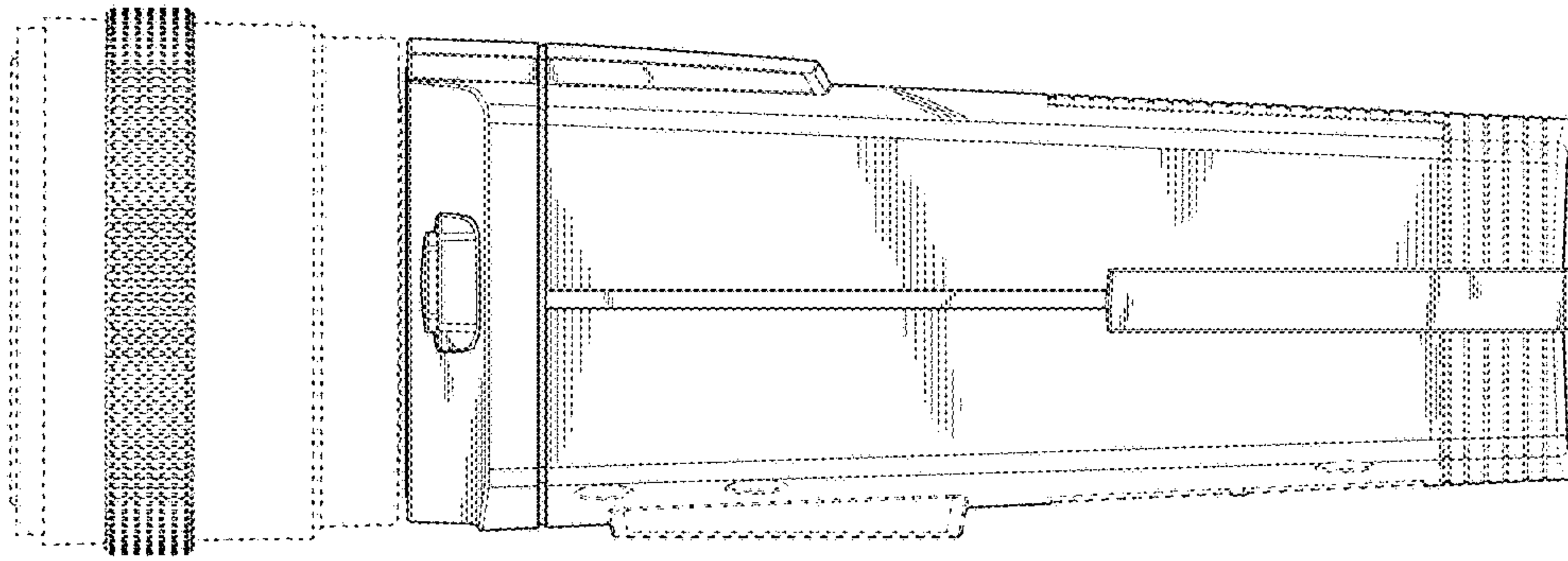




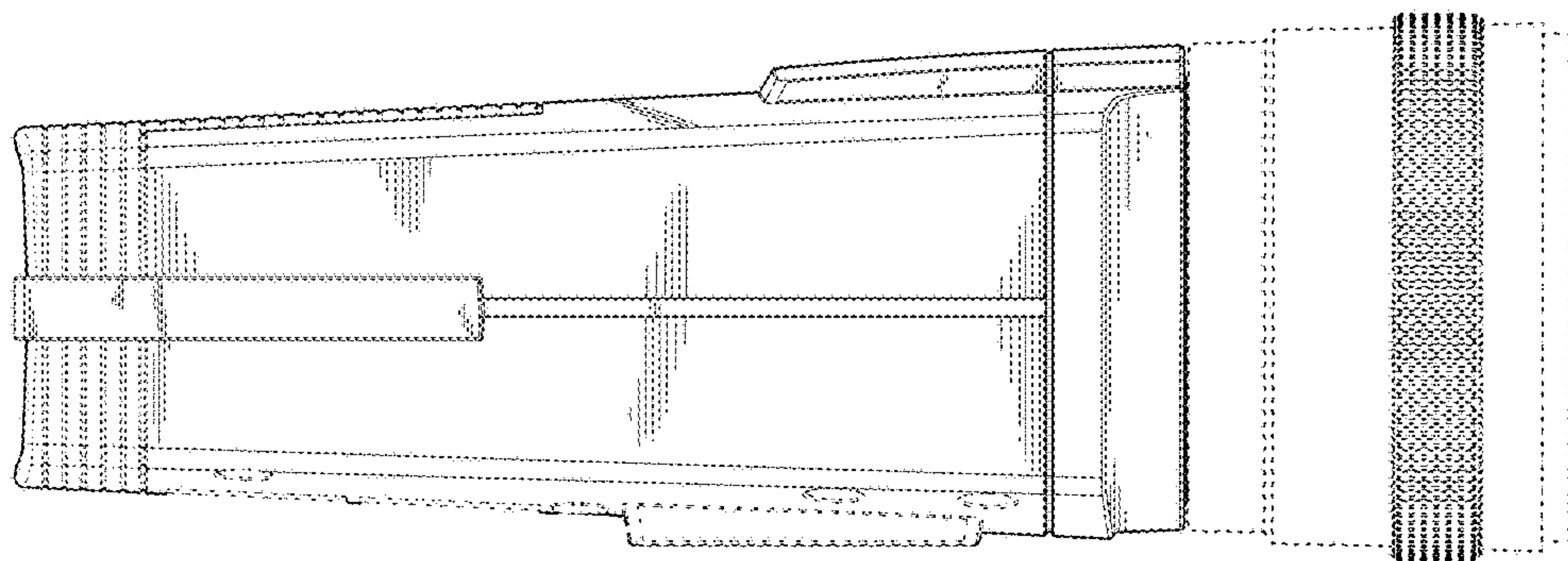
*Fig. 2*



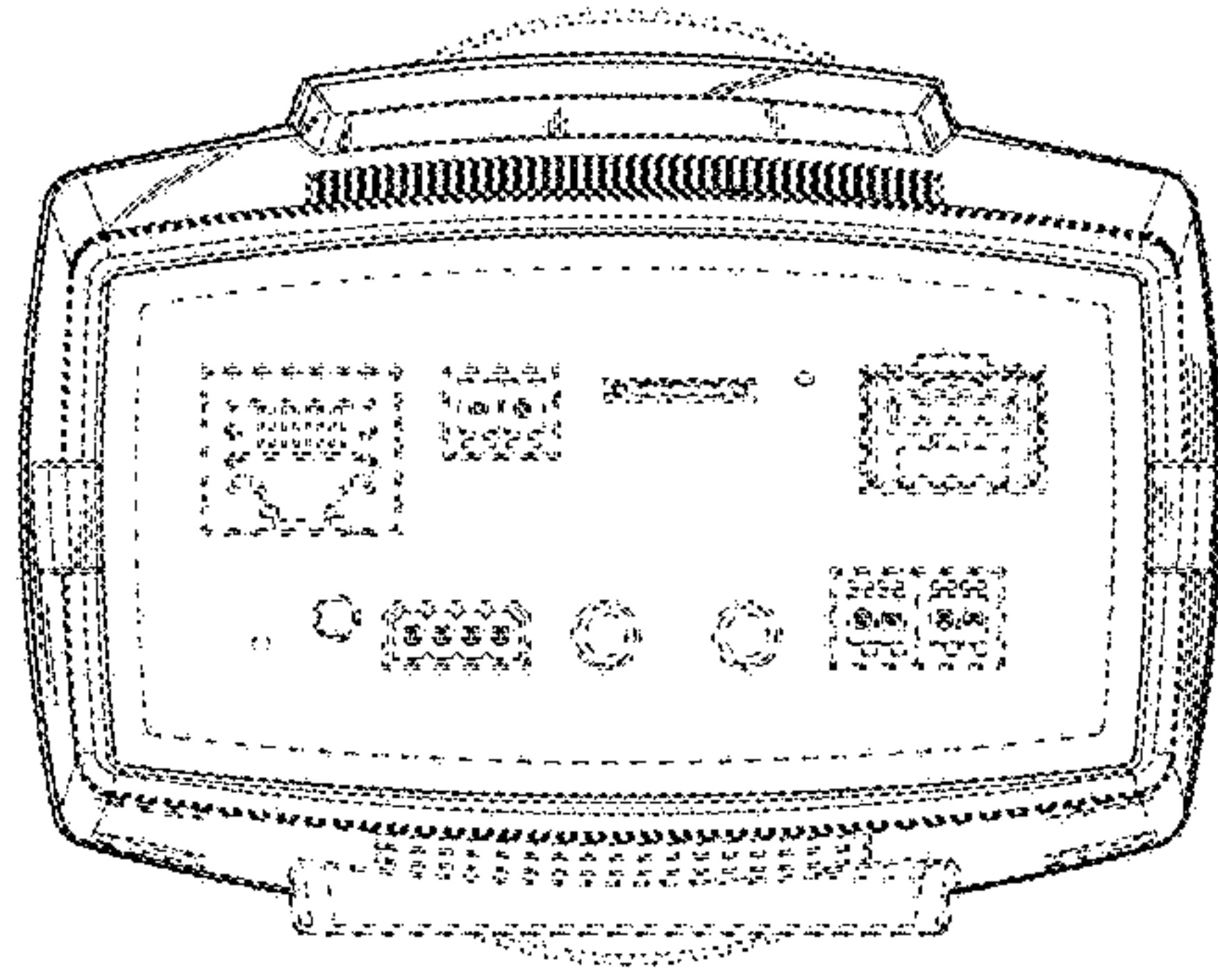
*Fig. 3*



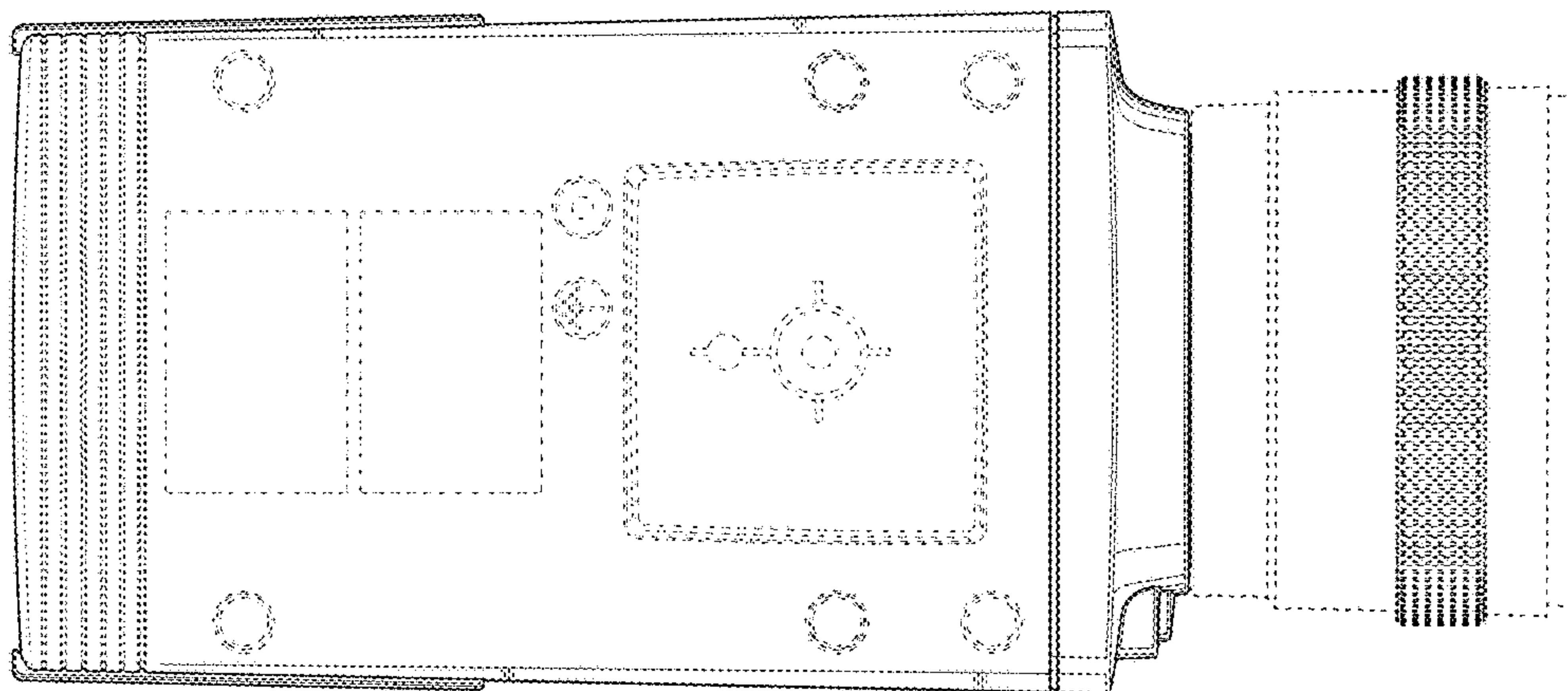
*Fig. 4*



*Fig. 5*



*Fig. 6*



*Fig. 7*