



US00D832329S

(12) **United States Design Patent** (10) **Patent No.:** **US D832,329 S**
Li (45) **Date of Patent:** **** Oct. 30, 2018**

(54) **NETWORK CAMERA**
(71) Applicant: **SECUTEK DERICAM USA HOLDINGS LLC**, Houston, TX (US)
(72) Inventor: **Zhiqiang Li**, Shenzhen (CN)
(73) Assignee: **Secutek Dericam USA Holdings LLC**, Houston, TX (US)
(**) Term: **15 Years**

D558,250 S * 12/2007 Hsia D16/203
D634,345 S * 3/2011 Kim D16/203
D634,347 S * 3/2011 Park D16/203
D635,172 S * 3/2011 Ko D16/203
D637,640 S * 5/2011 Park D16/203
D643,453 S * 8/2011 Ham D16/203
D691,187 S * 10/2013 Seo D16/203
D702,274 S * 4/2014 Qian D16/203
D721,756 S * 1/2015 Hallstrom D16/203
D731,574 S * 6/2015 Hallstrom D16/203
2008/0170121 A1 * 7/2008 Su G08B 13/19619
348/143

(21) Appl. No.: **29/601,314**
(22) Filed: **Apr. 21, 2017**
(30) **Foreign Application Priority Data**

* cited by examiner
Primary Examiner — Philip S Hyder
Assistant Examiner — Ramzi S Almatrahi
(74) *Attorney, Agent, or Firm* — The Juhasz Law Firm

Mar. 23, 2017 (CN) 2017 3 0088787
(51) **LOC (11) Cl.** **16-01**
(52) **U.S. Cl.**
USPC **D16/203**

(57) **CLAIM**
The ornamental design for a network camera, as shown and described.

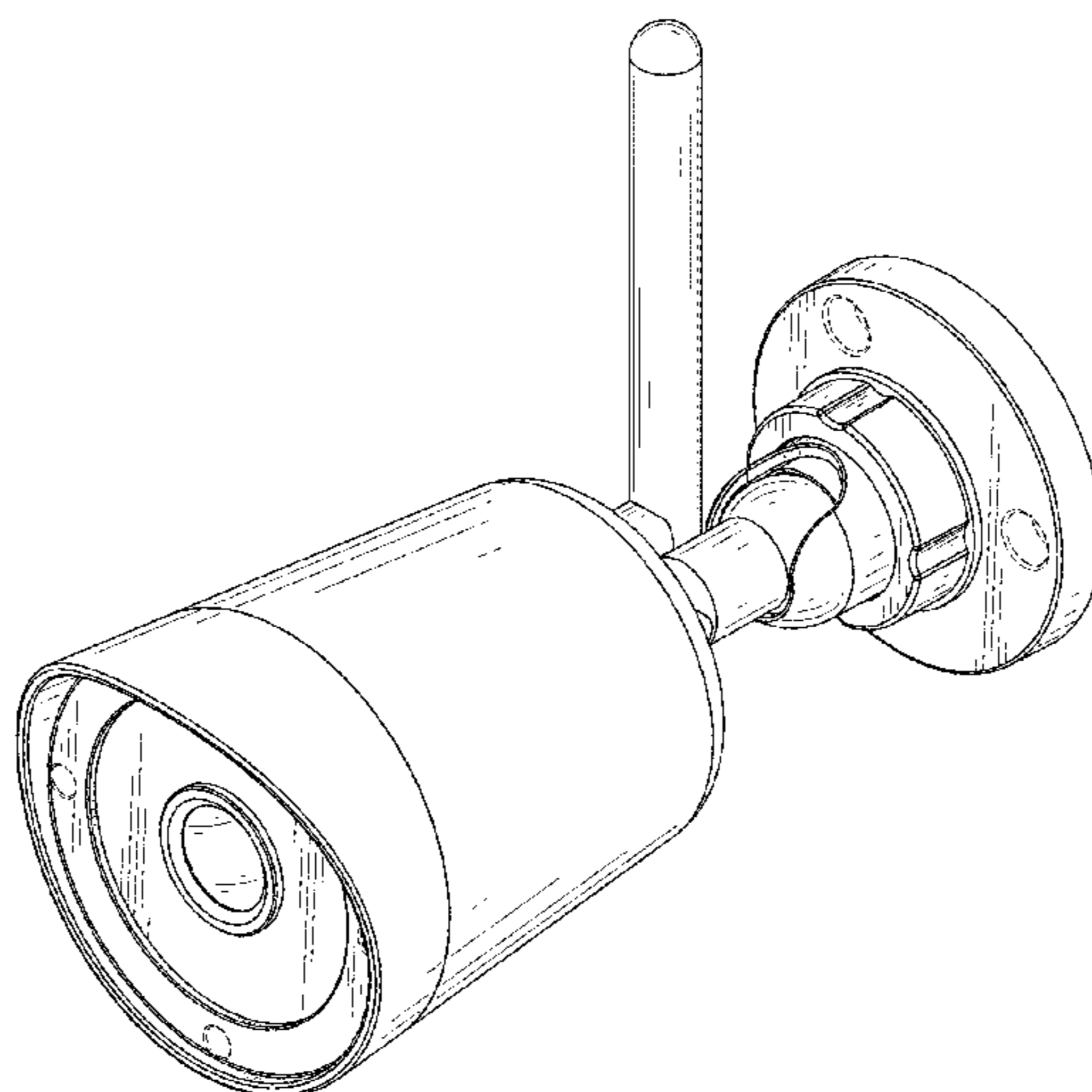
(58) **Field of Classification Search**
USPC D16/200, 202–206, 218, 219, 242;
348/143, 148, 151, 373–376; 396/419,
396/427, 535, 539–541
CPC G03B 17/02; G03B 19/04; G03B 17/56;
G03B 17/04; G03B 15/03; H04N 5/2251;
H04N 5/2252; H04N 5/2253; H04N
5/2254; H04N 7/181; H04N 7/183; H04N
7/18; G08B 13/1963; G08B 13/19619;
G08B 13/19632; F16M 11/04; F16M
13/00
See application file for complete search history.

DESCRIPTION

FIG. 1 is a perspective view of a network camera showing my new ornamental design;
FIG. 2 is a front elevational view thereof;
FIG. 3 is a rear elevational view thereof;
FIG. 4 is a left side elevational view thereof;
FIG. 5 is a right side elevational view thereof;
FIG. 6 is a top plan view thereof; and,
FIG. 7 is a bottom plan view thereof.
The broken lines depict portions of the network camera in which the design is embodied that form no part of the claimed design.

(56) **References Cited**
U.S. PATENT DOCUMENTS
D481,407 S * 10/2003 Alessio D16/203
D497,928 S * 11/2004 Cheng-Yuan D16/203

1 Claim, 7 Drawing Sheets



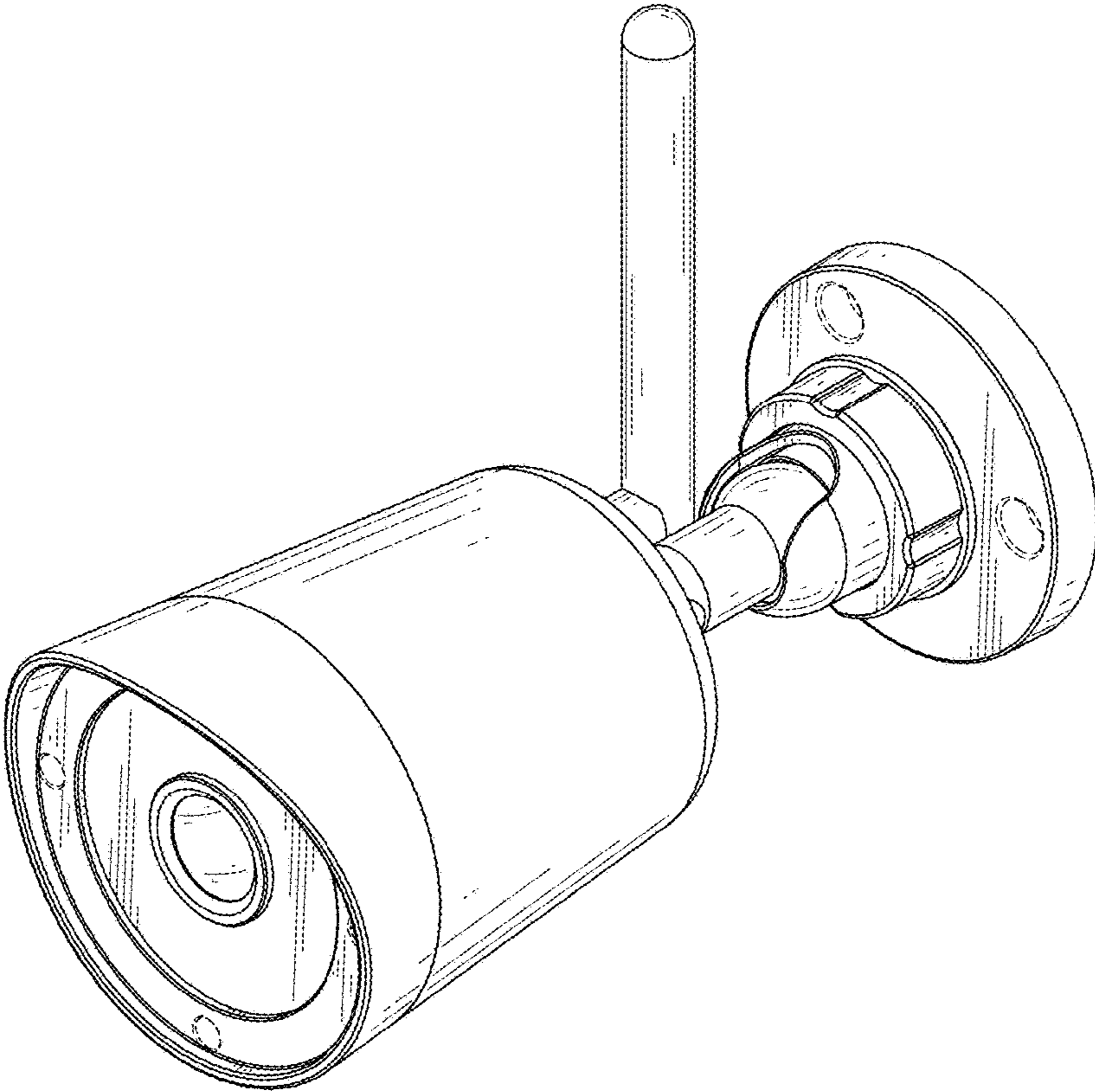


FIG. 1

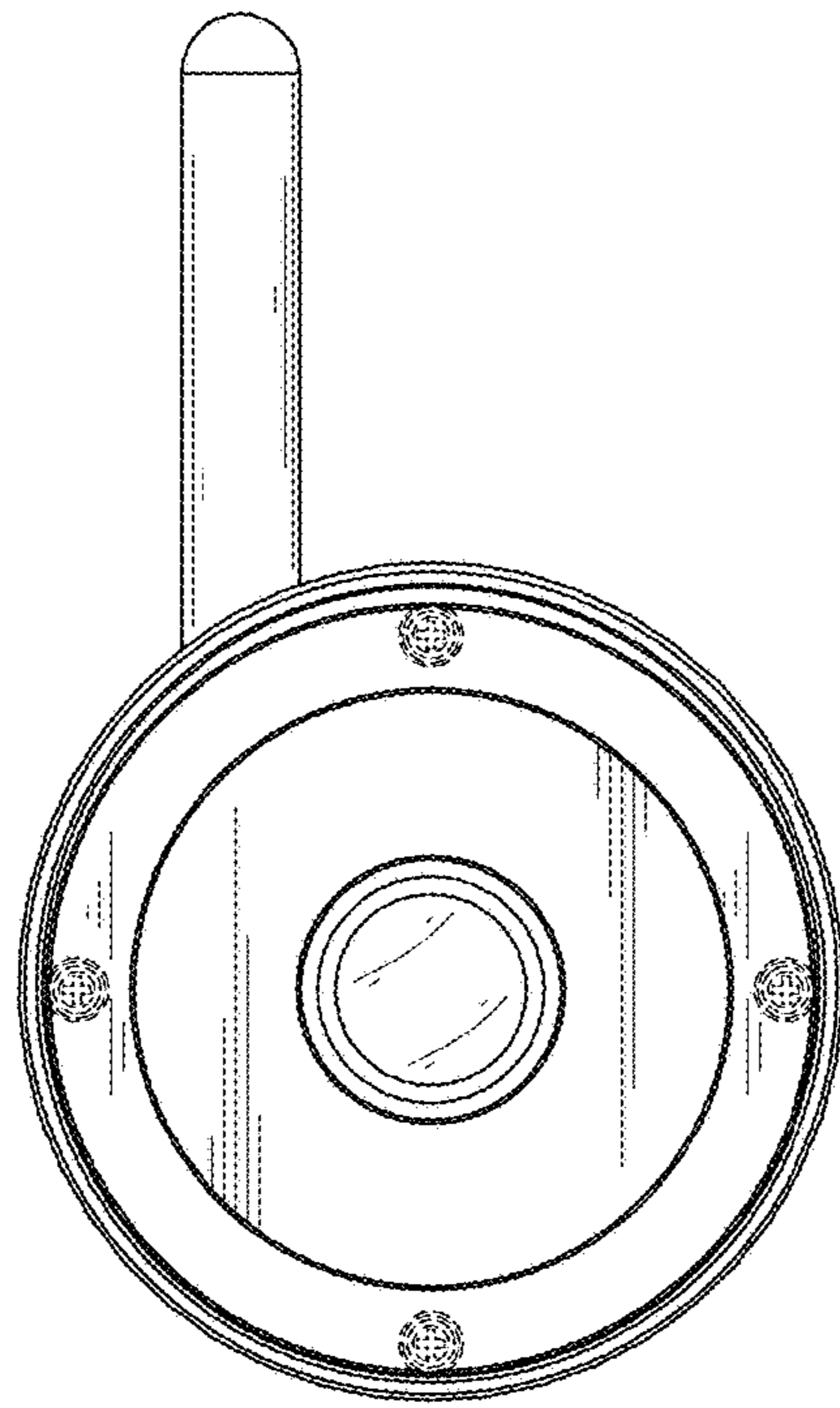


FIG. 2

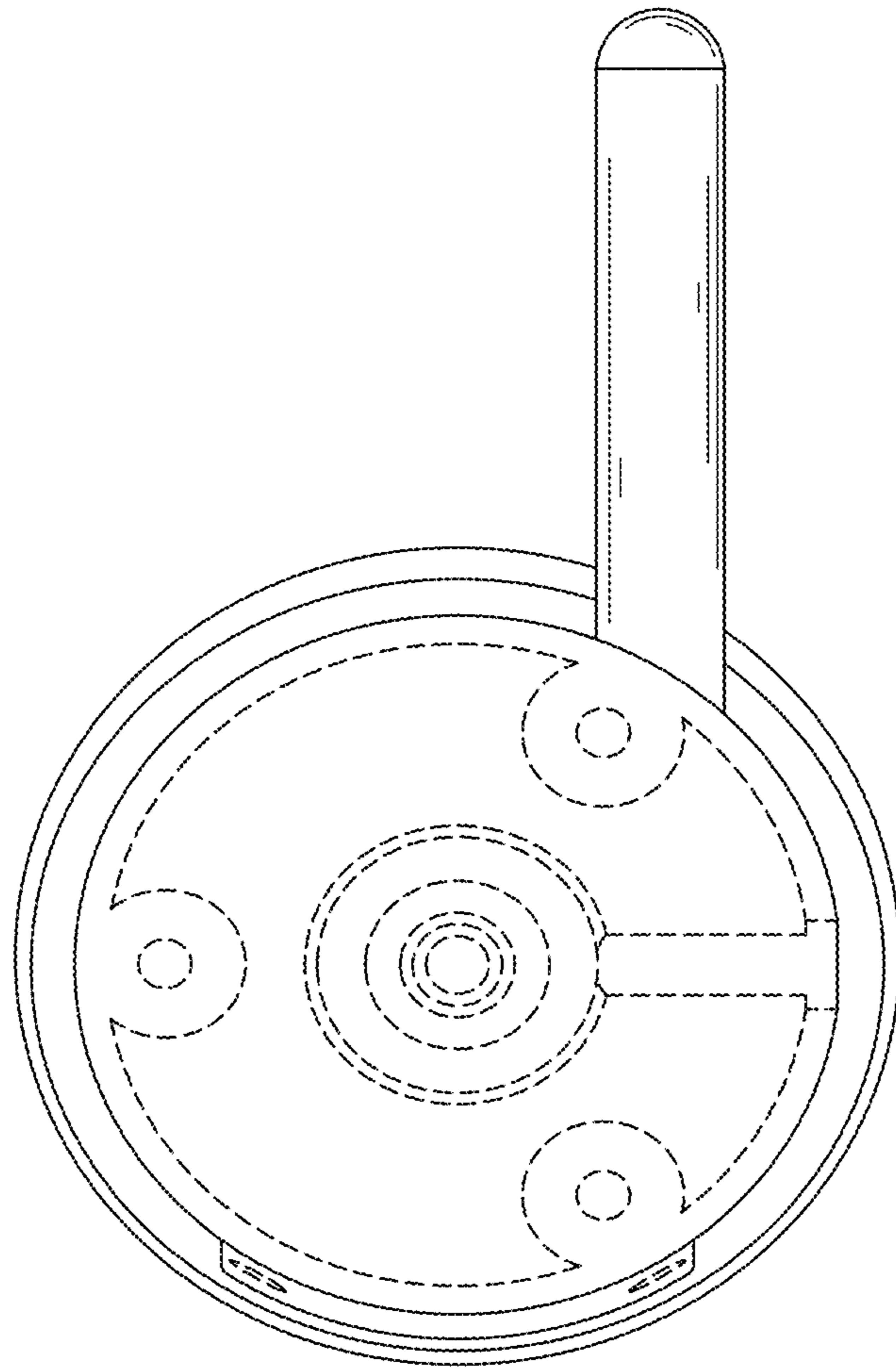


FIG. 3

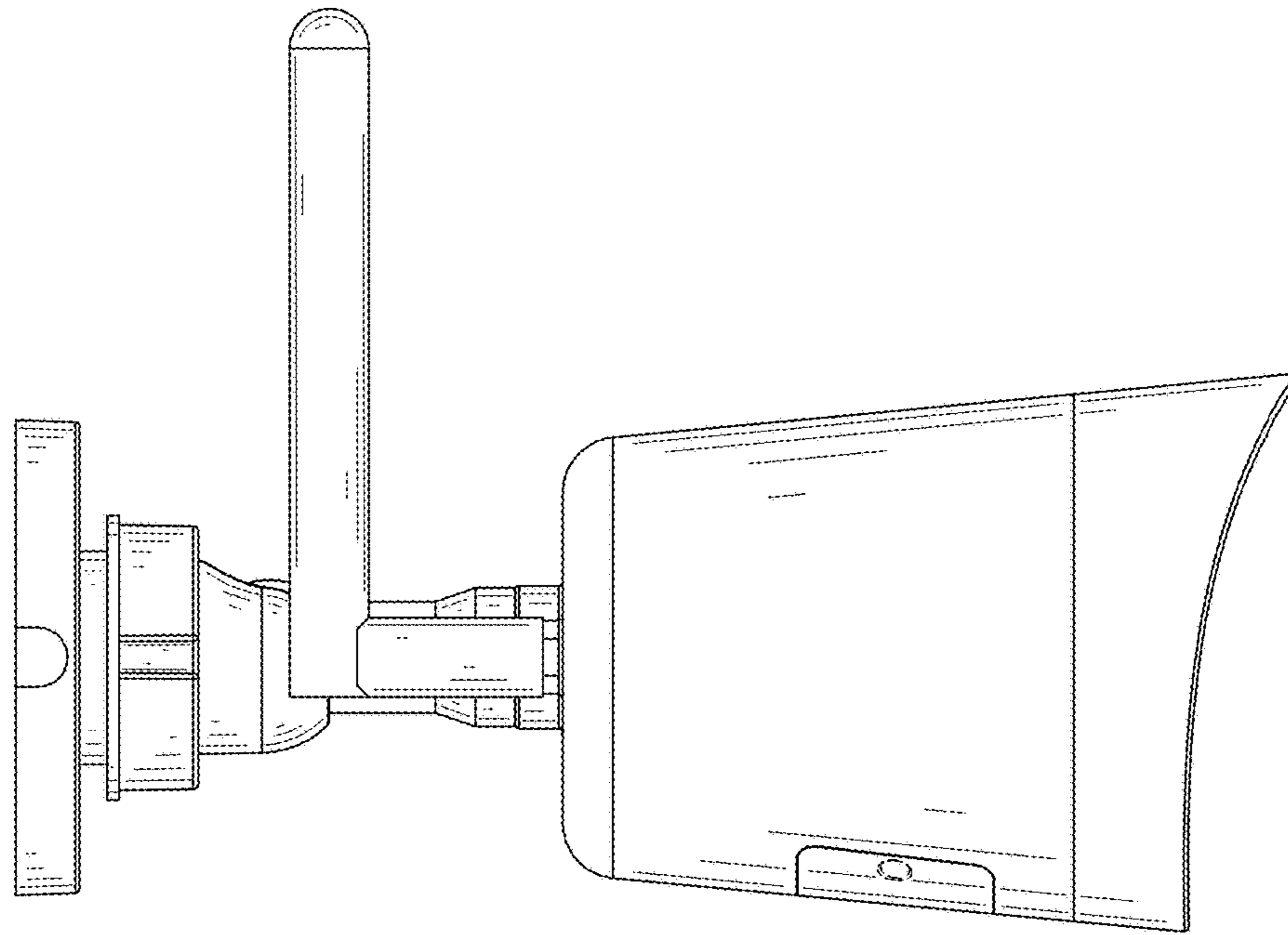


FIG. 4

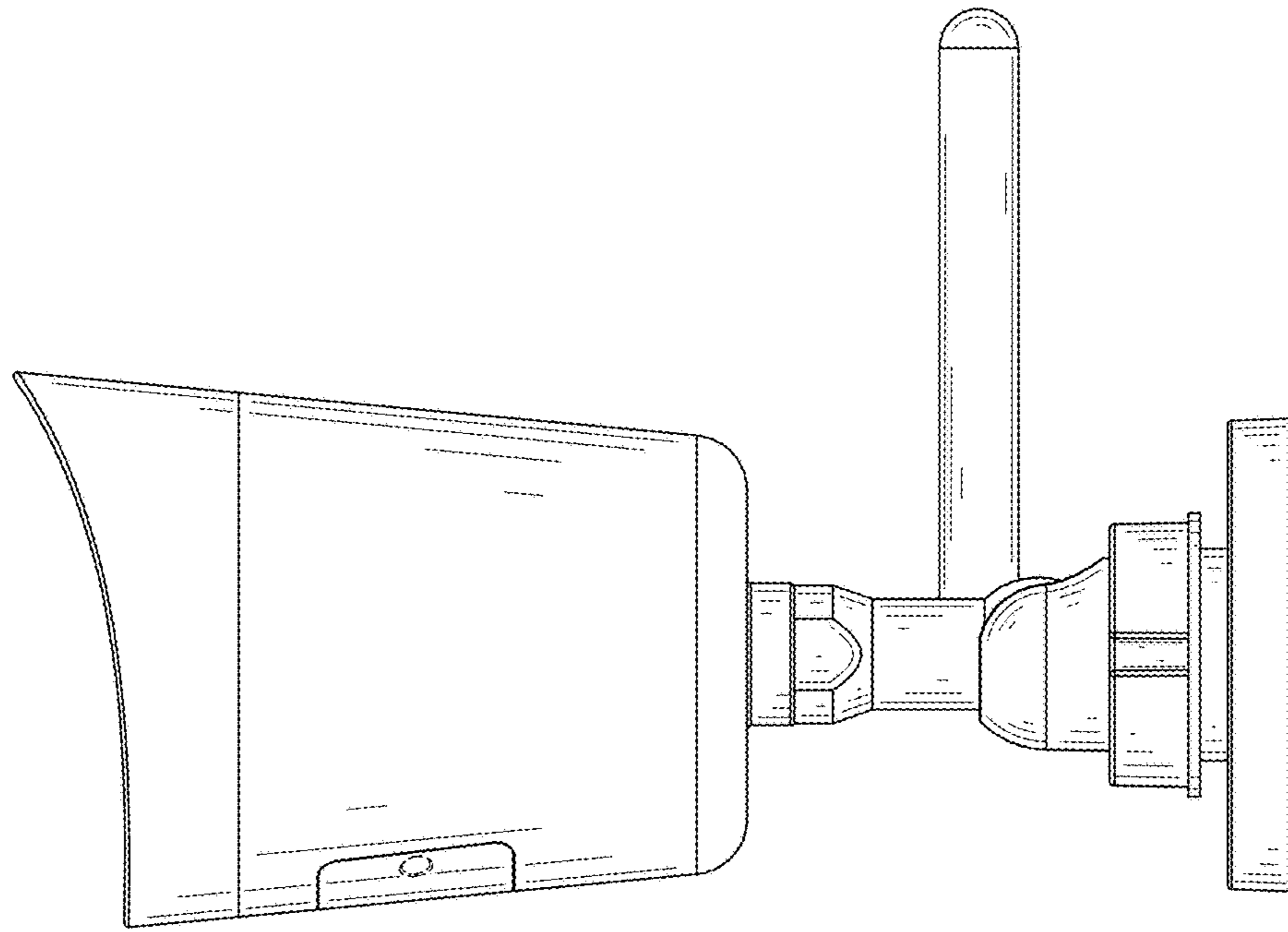


FIG. 5

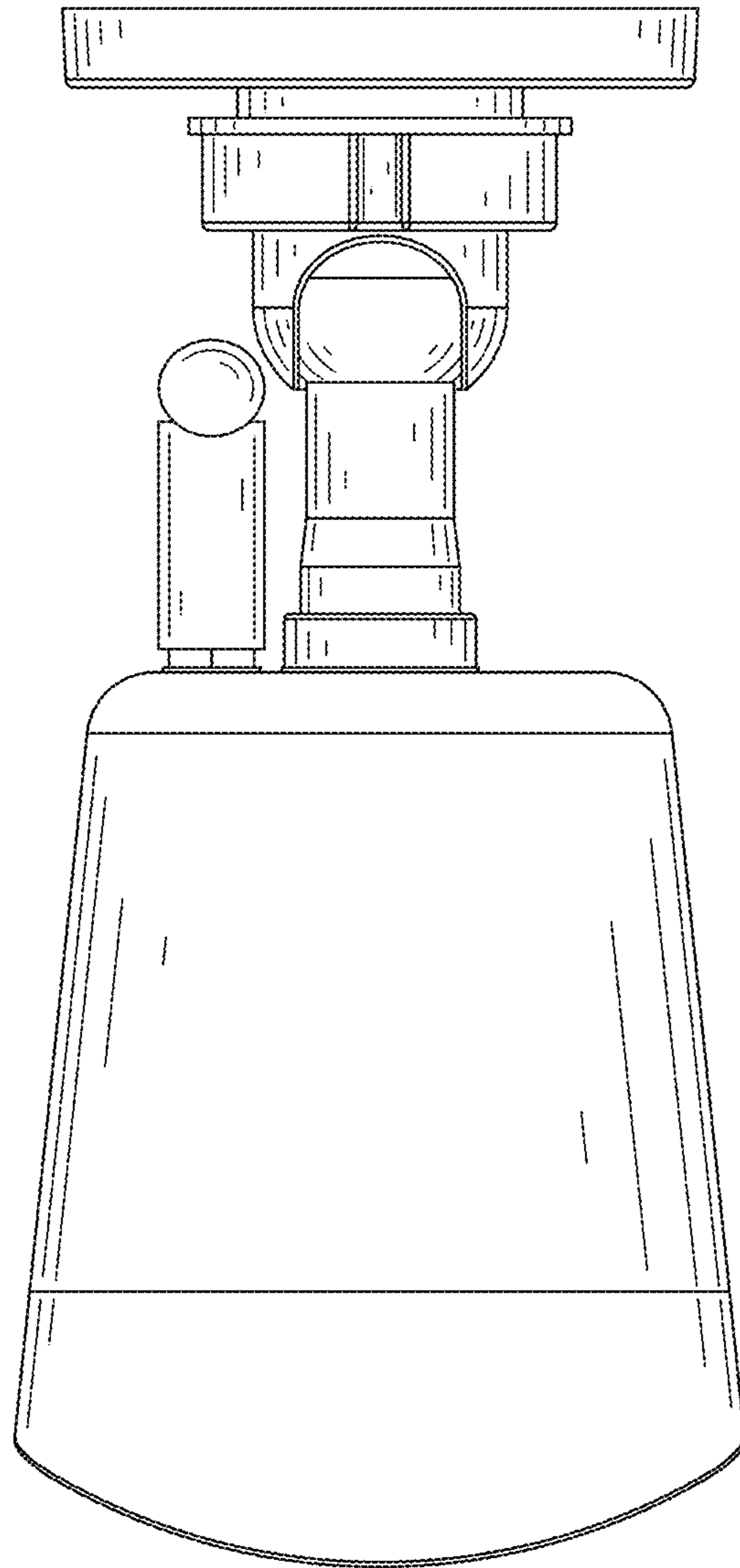


FIG. 6

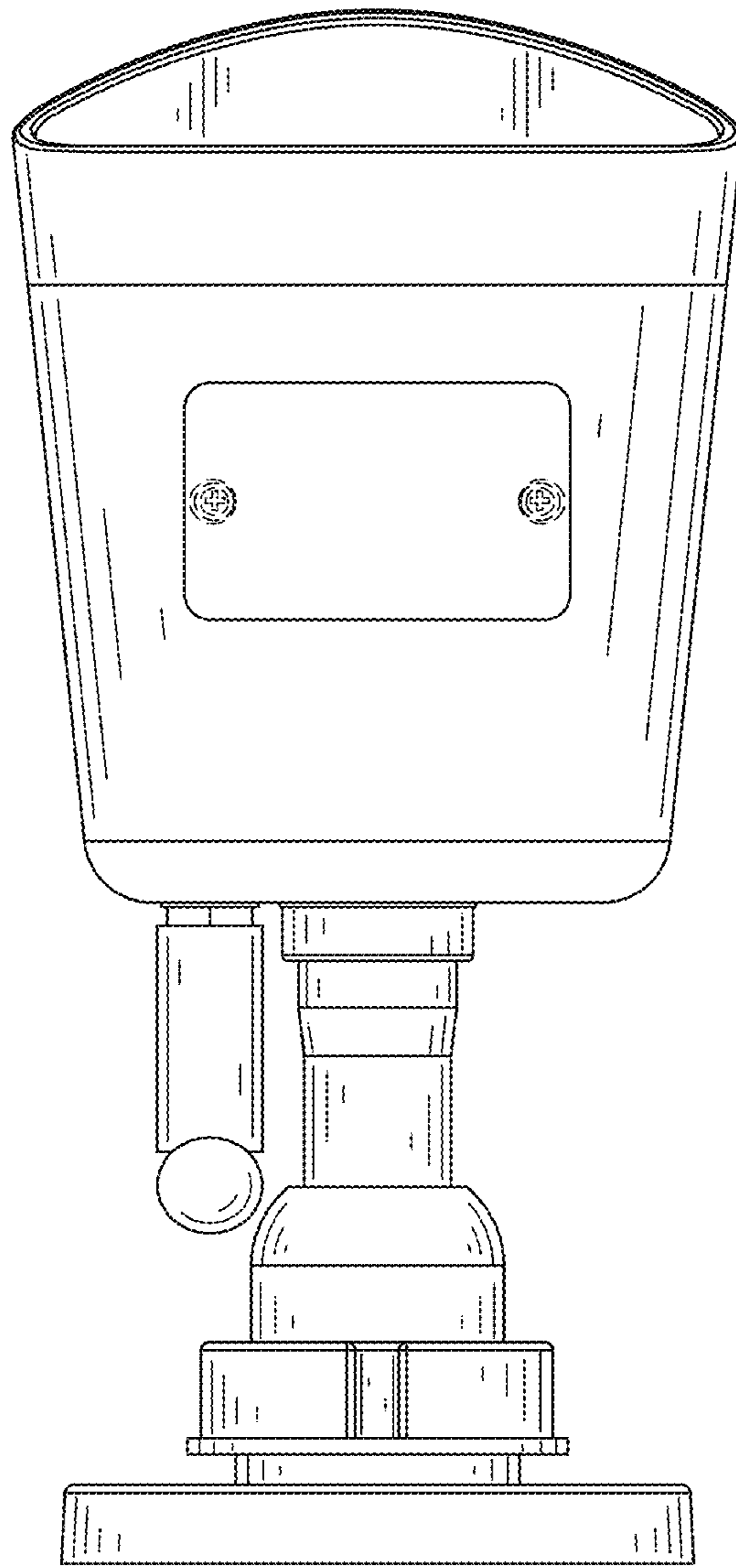


FIG. 7