



US00D832328S

(12) **United States Design Patent**  
**Baek et al.**

(10) **Patent No.:** **US D832,328 S**

(45) **Date of Patent:** **\*\* Oct. 30, 2018**

(54) **ROBOTIC DEVICE**

(71) Applicants: **Samsung Electronics Co., Ltd.**,  
Suwon-si (KR); **Cornell University**,  
Ithaca, NY (US)

(72) Inventors: **Joonhye Baek**, Seoul (KR); **Gulji Chung**, Seoul (KR); **Heejae Choi**, Seoul (KR); **Guy Hoffman**, Ithaca, NY (US)

(73) Assignees: **Samsung Electronics Co., Ltd.**,  
Suwon-si (KR); **Cornell University**,  
Ithaca, NY (US)

(\*\*) Term: **15 Years**

(21) Appl. No.: **29/607,644**

(22) Filed: **Jun. 15, 2017**

(30) **Foreign Application Priority Data**

Dec. 16, 2016 (KR) ..... 30-2016-0061486

(51) **LOC (11) Cl.** ..... **15-99**

(52) **U.S. Cl.**  
USPC ..... **D15/199**

(58) **Field of Classification Search**  
USPC ..... D32/21-24, 31, 34, 17-18; 700/259;  
D15/199; D21/578-579

(Continued)

(56) **References Cited**

**U.S. PATENT DOCUMENTS**

6,856,113 B1 \* 2/2005 Cunningham ..... A47L 5/38  
15/314

7,228,203 B2 \* 6/2007 Koselka ..... B25J 5/007  
318/568.12

(Continued)

**FOREIGN PATENT DOCUMENTS**

CN 2015303083730 1/2016  
EM 002582064-0002 3/2015  
EM 002926881-0001 1/2016

*Primary Examiner* — Ruth McInroy

(74) *Attorney, Agent, or Firm* — NSIP Law

(57) **CLAIM**

We claim the ornamental design for a robotic device, as shown and described.

**DESCRIPTION**

FIG. 1 is front view of a robotic device showing our new design;

FIG. 2 is a front elevational view thereof;

FIG. 3 is a rear elevational view thereof;

FIG. 4 is a left-side elevational view thereof;

FIG. 5 is a right-side elevational view thereof;

FIG. 6 is a top plan view thereof;

FIG. 7 is a bottom plan view thereof;

FIG. 8 is a front perspective view of a robotic device shown in a second position;

FIG. 9 is a front elevational view of FIG. 8;

FIG. 10 is a rear elevational view of FIG. 8;

FIG. 11 is a left-side elevational view of FIG. 8;

FIG. 12 is a right-side elevational view of FIG. 8;

FIG. 13 is a top plan view of FIG. 8;

FIG. 14 is a bottom plan view of FIG. 8;

FIG. 15 is a front perspective view of a robotic device shown in a third position;

FIG. 16 is a front elevational view of FIG. 15;

FIG. 17 is a rear elevational view of FIG. 15;

FIG. 18 is a left-side elevational view of FIG. 15;

FIG. 19 is a right-side elevational view of FIG. 15;

FIG. 20 is a top plan view of FIG. 15;

FIG. 21 is a bottom plan view of FIG. 15;

FIG. 22 is a front perspective view of a robotic device shown in a fourth position;

FIG. 23 is a front elevational view of FIG. 22;

FIG. 24 is a rear elevational view of FIG. 22;

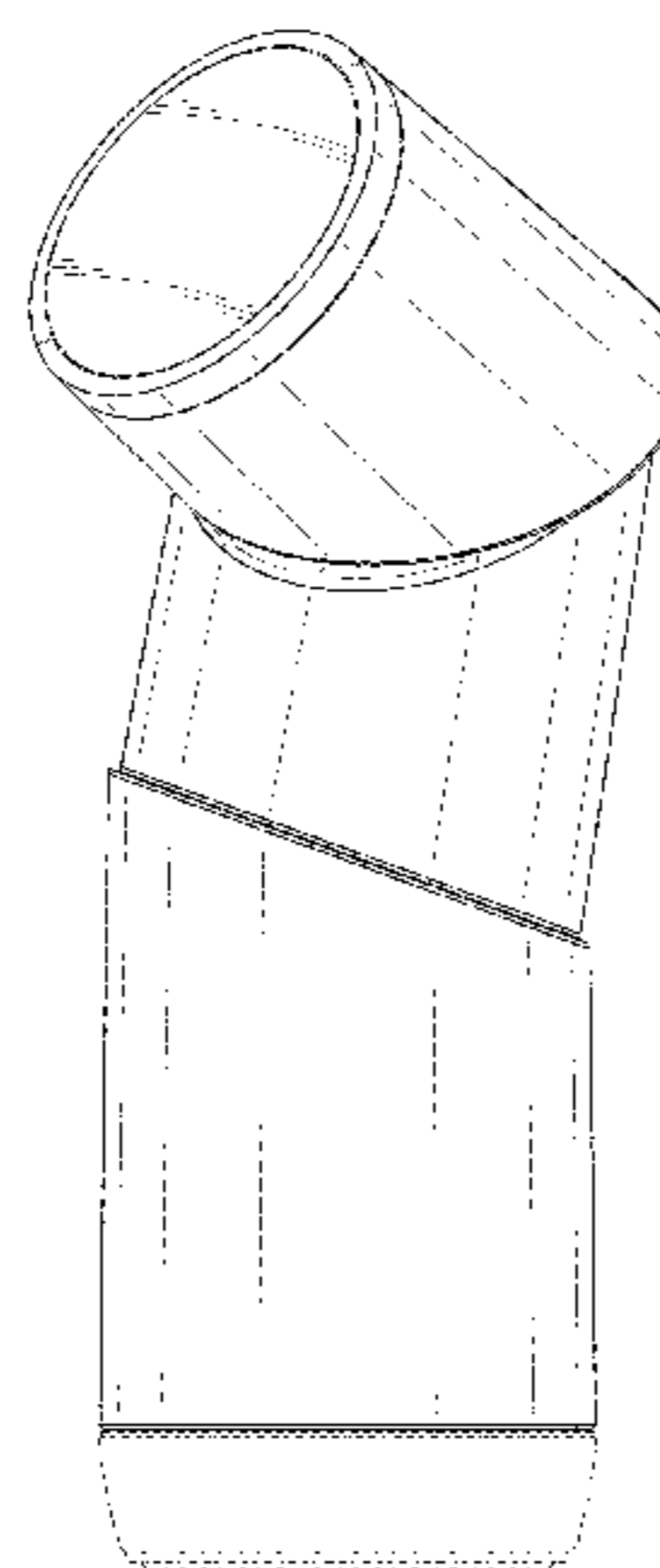
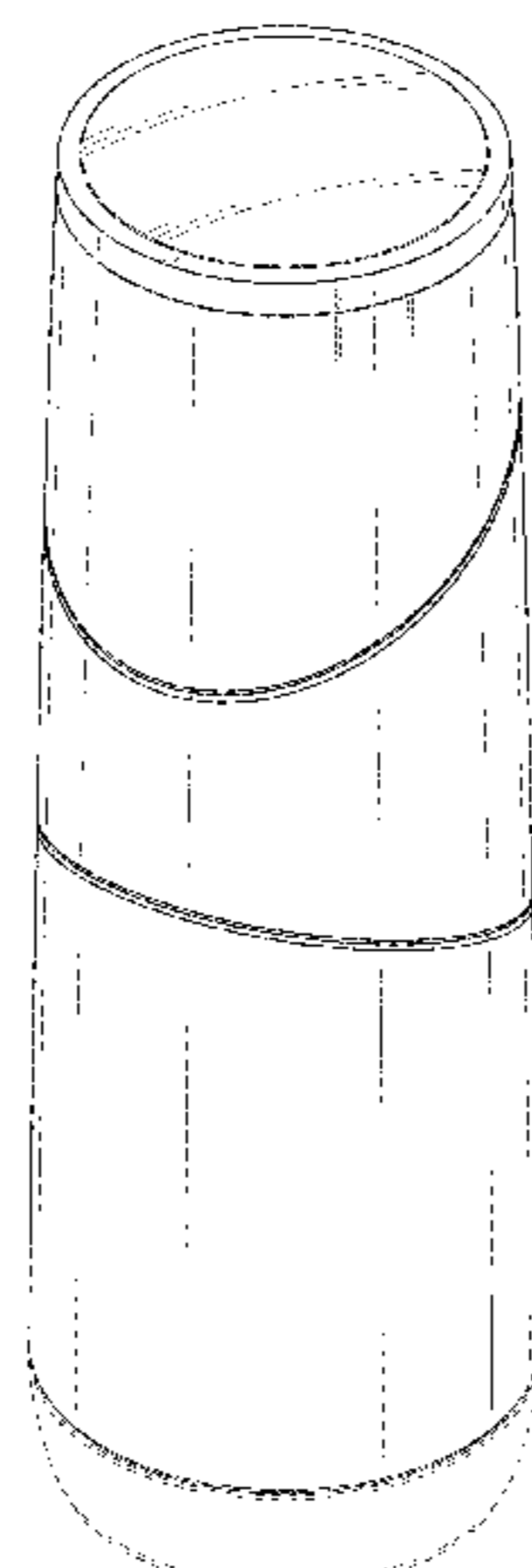
FIG. 25 is a left-side elevational view of FIG. 22;

FIG. 26 is a right-side elevational view of FIG. 22;

FIG. 27 is a top plan view of FIG. 22; and,

FIG. 28 is a bottom plan view of FIG. 22.

(Continued)



The details shown in broken lines form no part of the claimed design.

**1 Claim, 28 Drawing Sheets**

**(58) Field of Classification Search**

CPC ..... A47L 5/24; A47L 5/22; A47L 5/28; A47L 5/225; A47L 5/362; A47L 5/365; A47L 9/2842; A47L 9/24; A47L 9/248; B25J 11/0005; B25J 9/0003

See application file for complete search history.

**(56) References Cited**

U.S. PATENT DOCUMENTS

D586,959 S \* 2/2009 Geringer ..... D32/21  
D678,378 S \* 3/2013 Selic ..... D15/199  
D686,789 S \* 7/2013 Bisson ..... D32/21

D692,041 S \* 10/2013 Selic ..... D15/199  
D738,053 S \* 9/2015 Kim ..... D32/21  
D746,886 S \* 1/2016 Breazeal ..... D15/199  
D748,088 S \* 1/2016 Kidd ..... D14/307  
D761,895 S \* 7/2016 Breazeal ..... D15/199  
D762,029 S \* 7/2016 Marsden ..... D32/31  
9,596,970 B2 \* 3/2017 McCutchen ..... A47L 9/20  
9,636,826 B2 \* 5/2017 Liao ..... B25J 11/0005  
D799,575 S \* 10/2017 Tang ..... D15/199  
D802,040 S \* 11/2017 Canoso ..... D15/199  
D811,458 S \* 2/2018 Wang ..... D15/199  
D813,281 S \* 3/2018 Kittmann ..... D15/199  
D813,284 S \* 3/2018 Wei ..... D15/199  
D813,285 S \* 3/2018 Wei ..... D15/199  
D814,542 S \* 4/2018 Iijima ..... D15/199  
D817,374 S \* 5/2018 Liu ..... D15/199  
D817,375 S \* 5/2018 Deyle ..... D15/199  
D820,334 S \* 6/2018 Lee ..... D15/199  
2014/0277735 A1 \* 9/2014 Breazeal ..... B25J 11/0005  
700/259

\* cited by examiner

FIG. 1

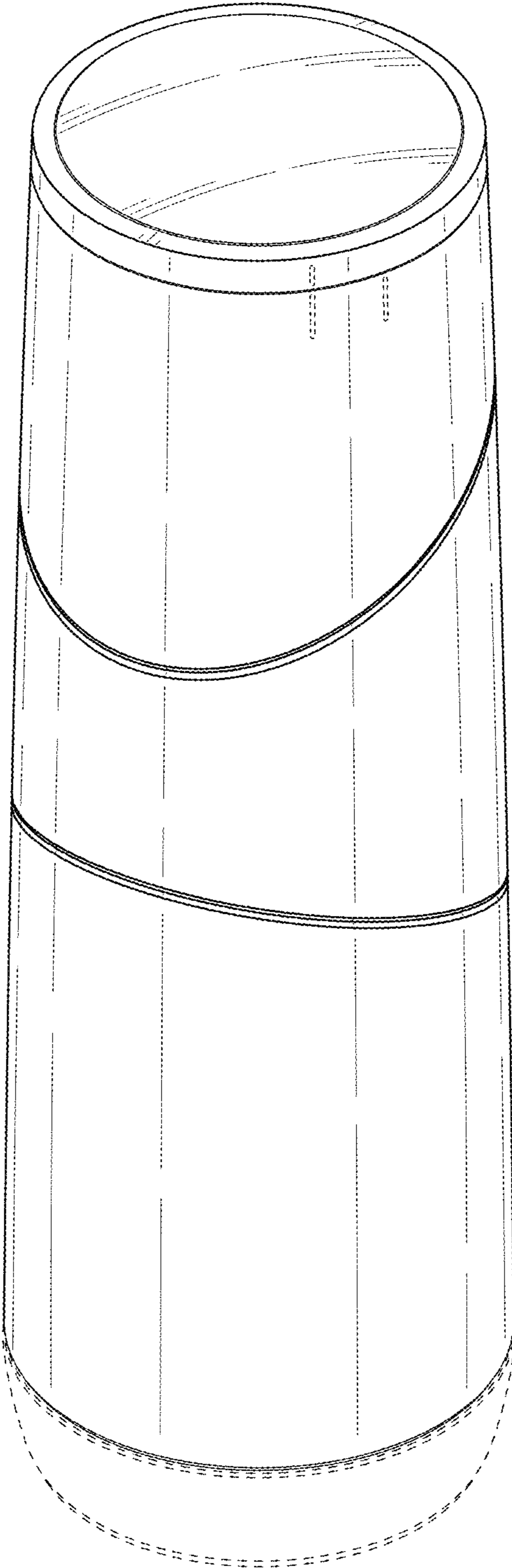


FIG. 2

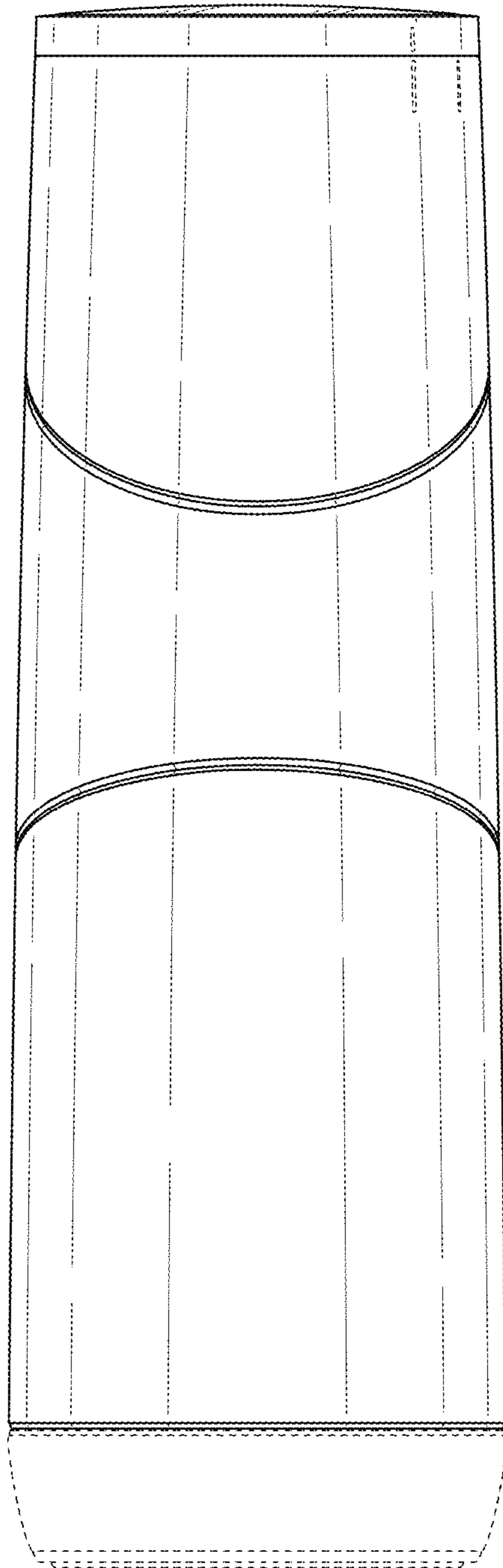


FIG. 3

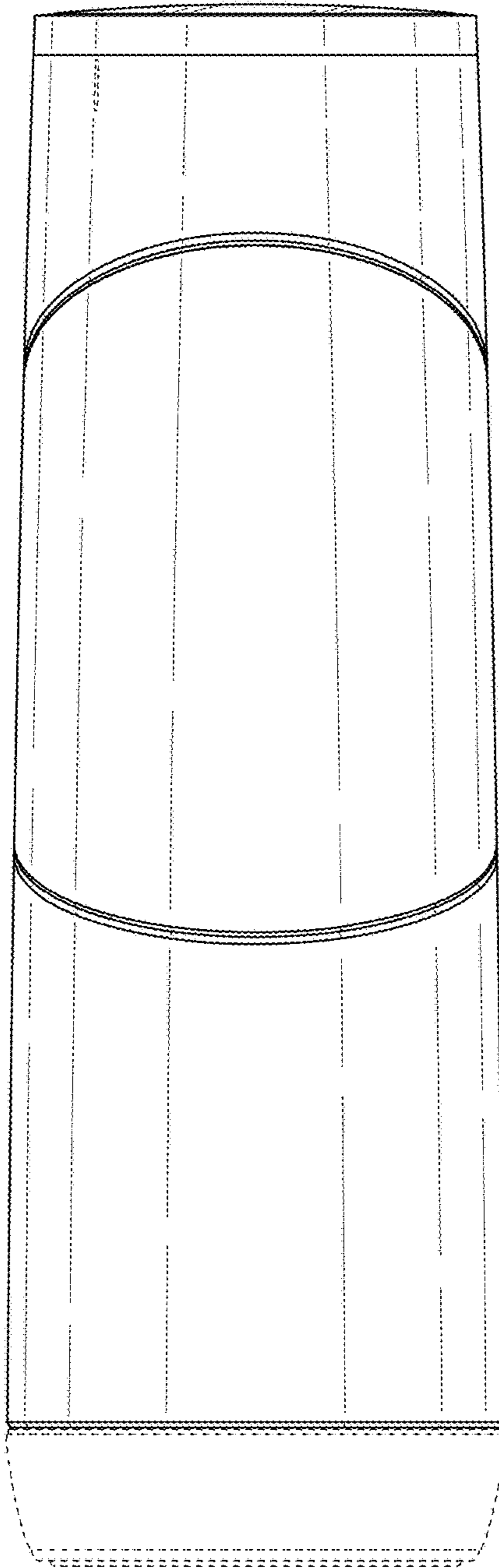


FIG. 4

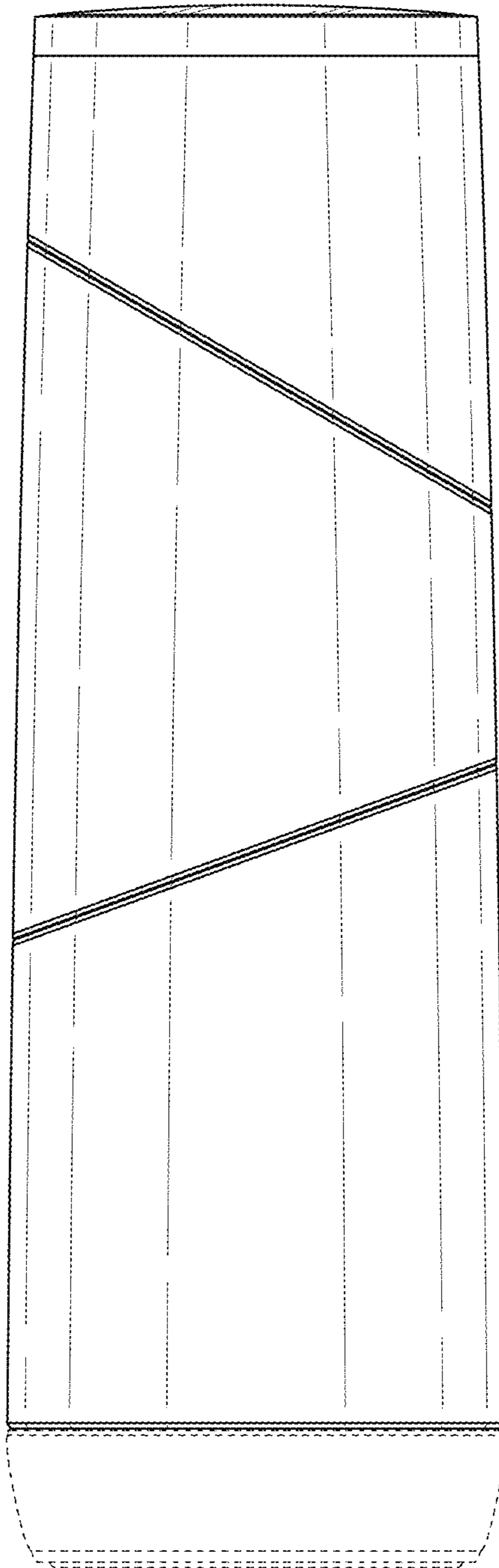


FIG. 5

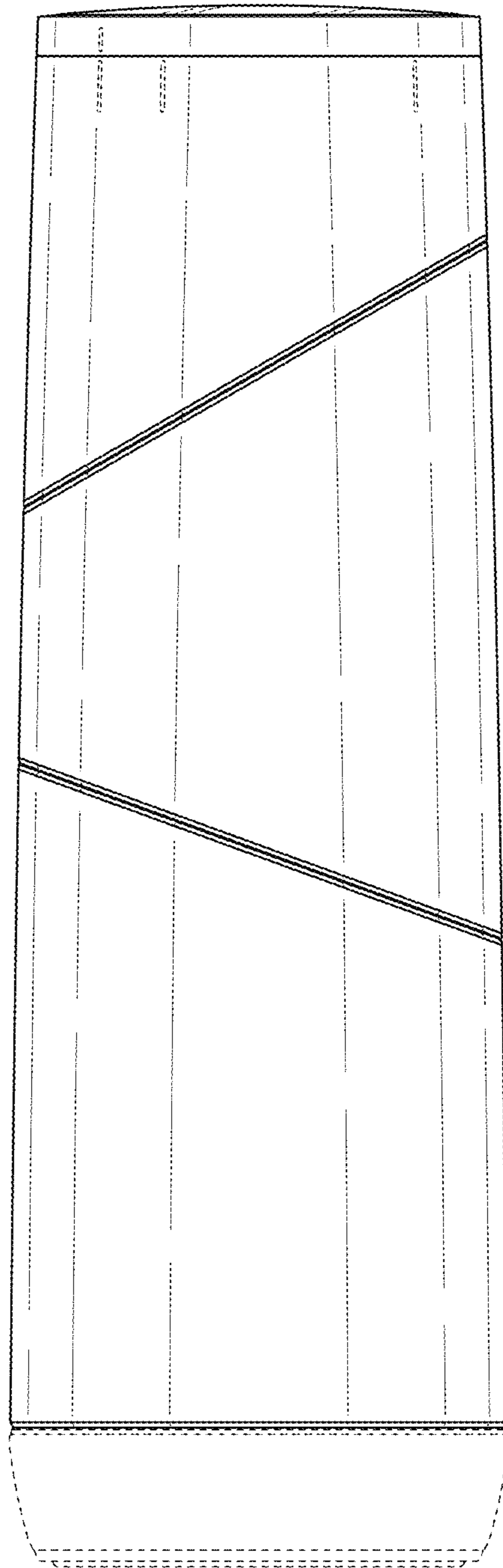


FIG. 6

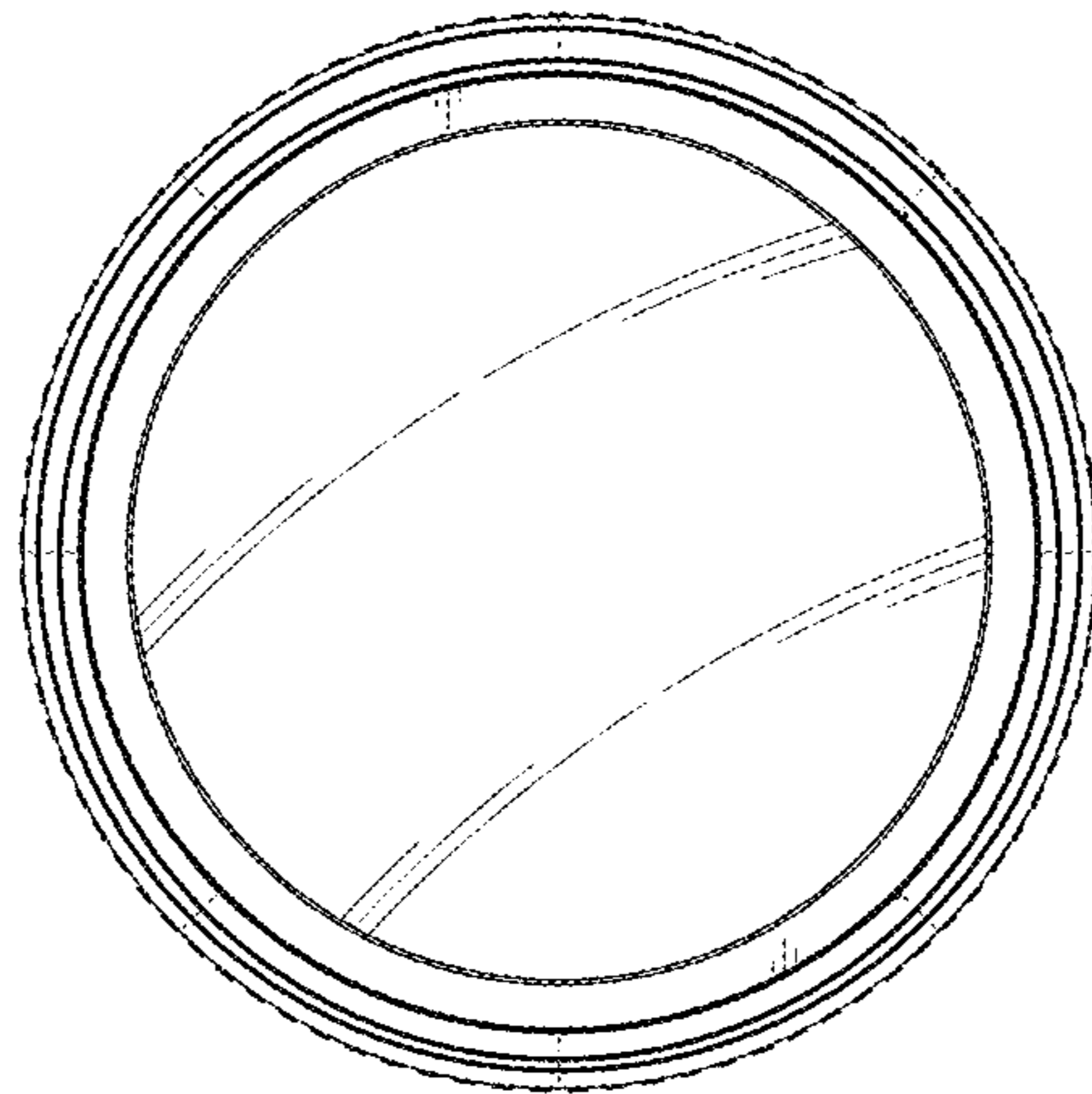




FIG. 7

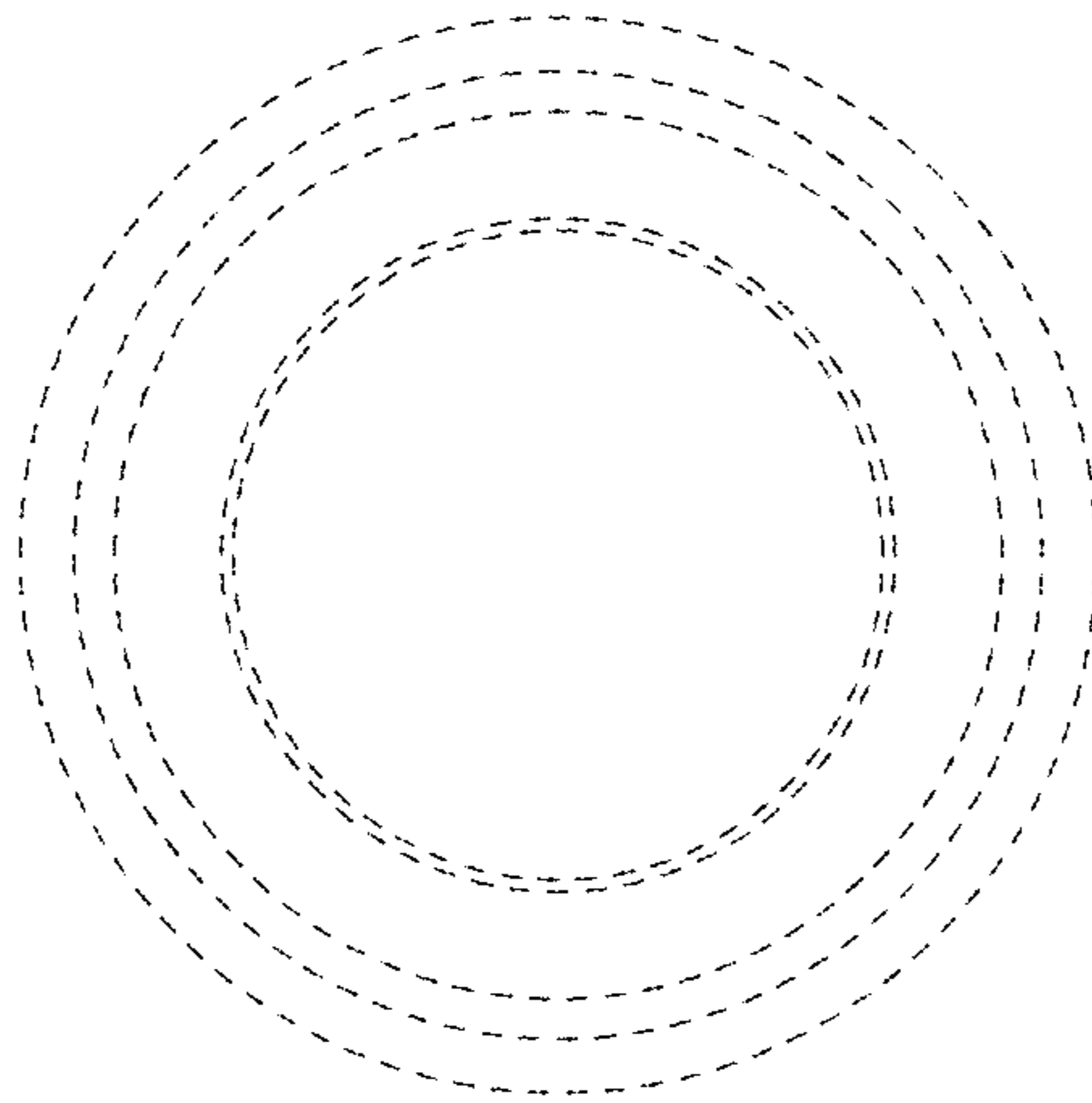


FIG. 8

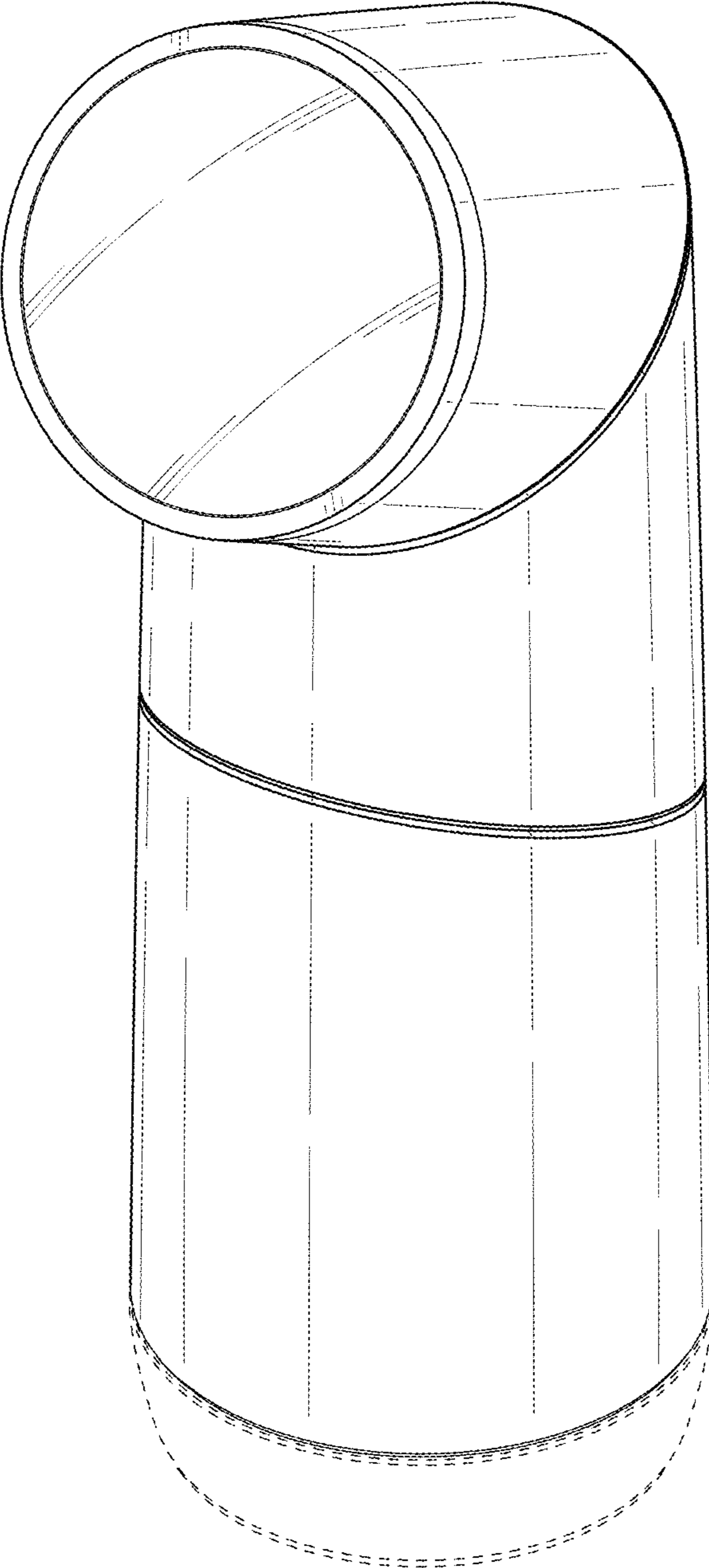


FIG. 9

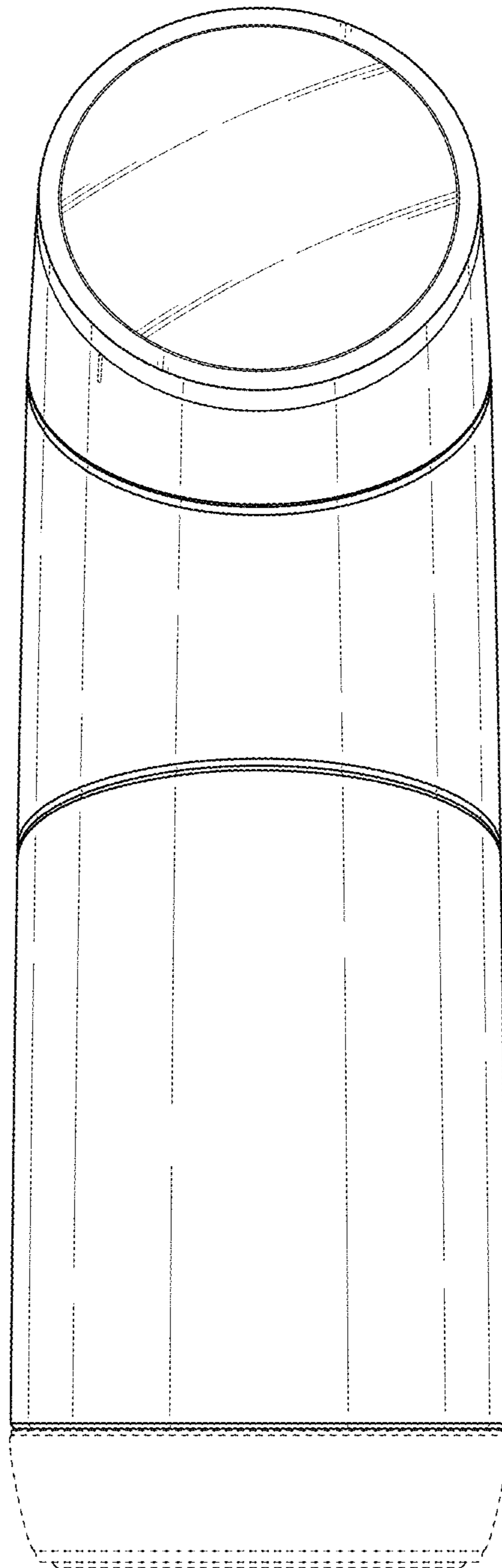


FIG. 10

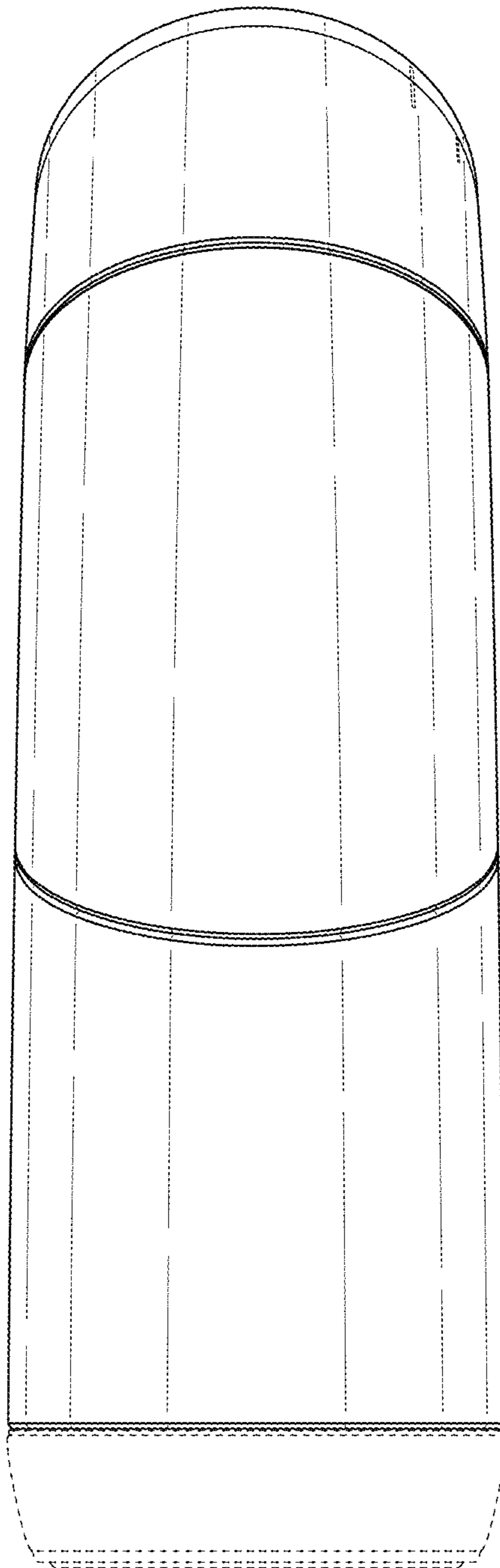


FIG. 11

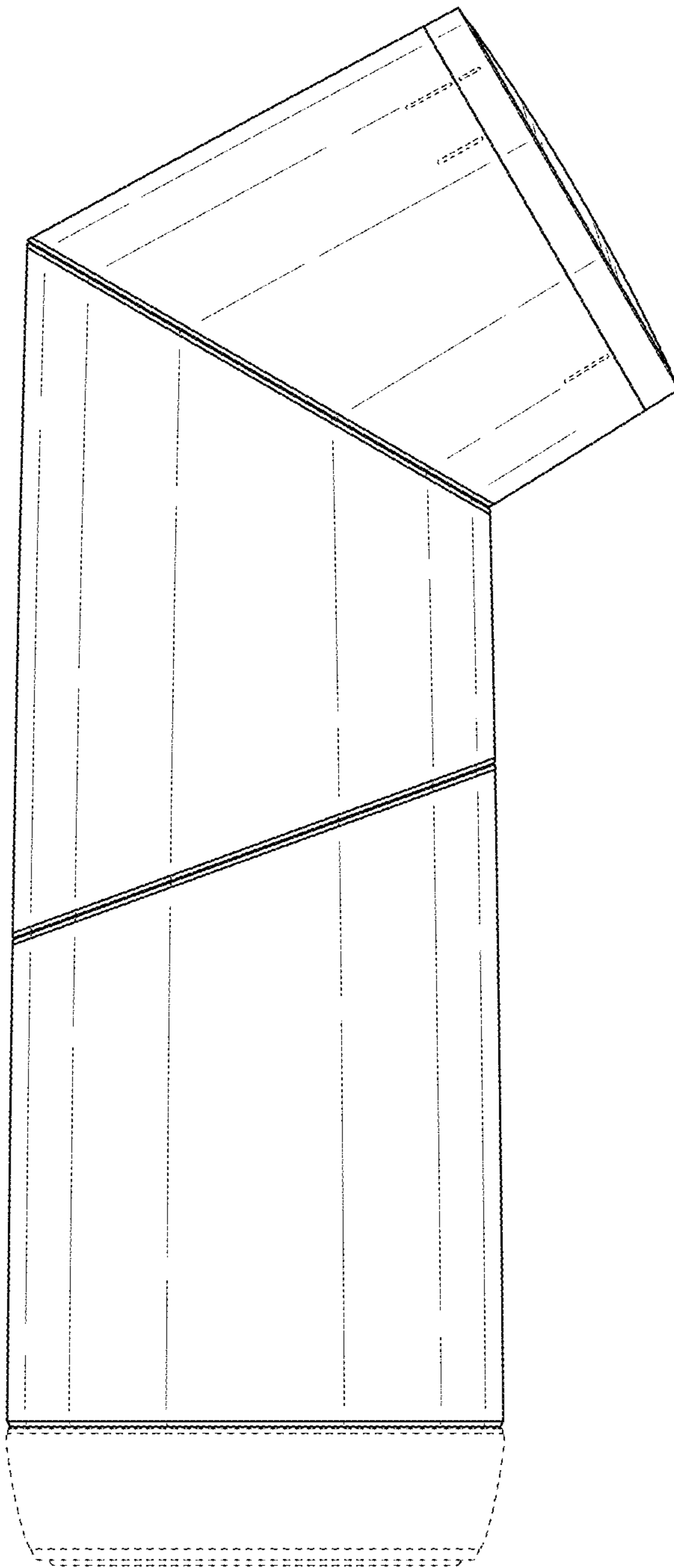


FIG. 12

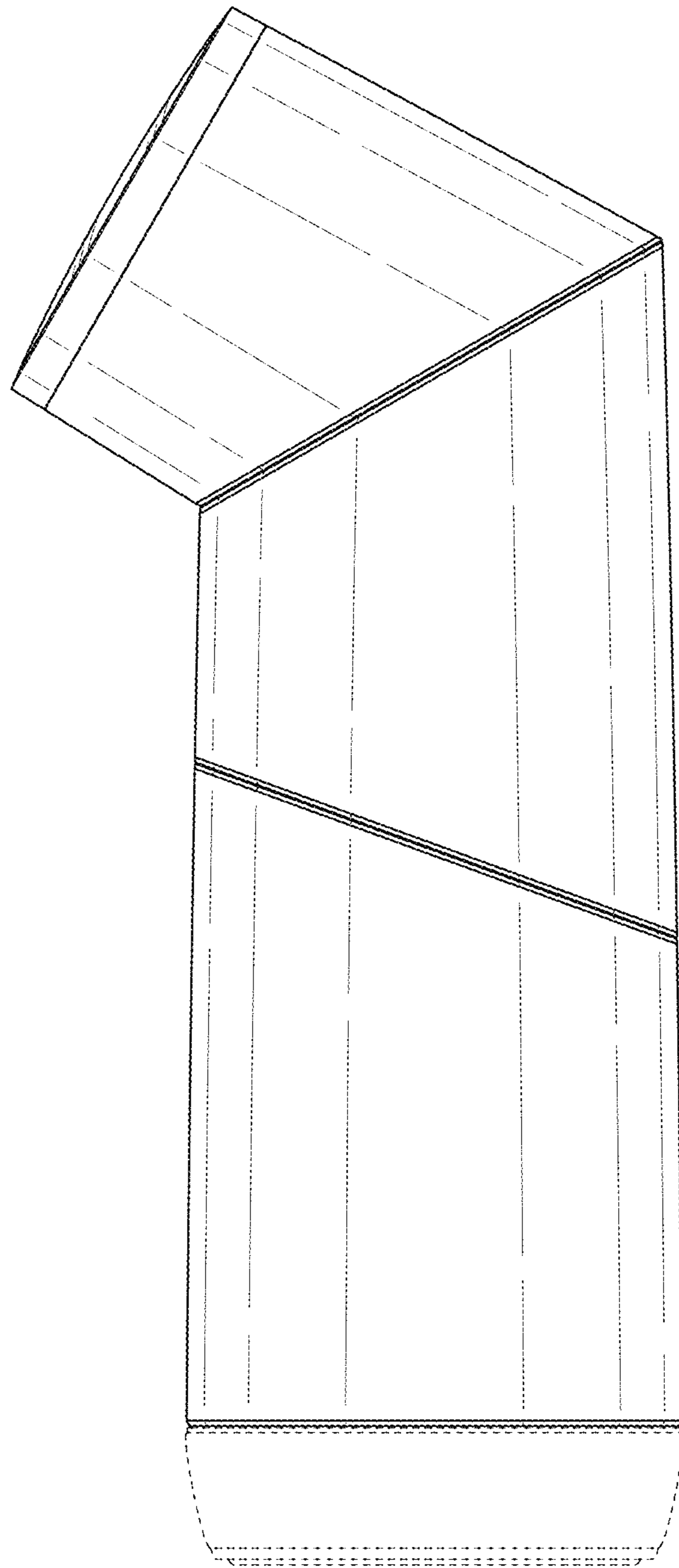


FIG. 13

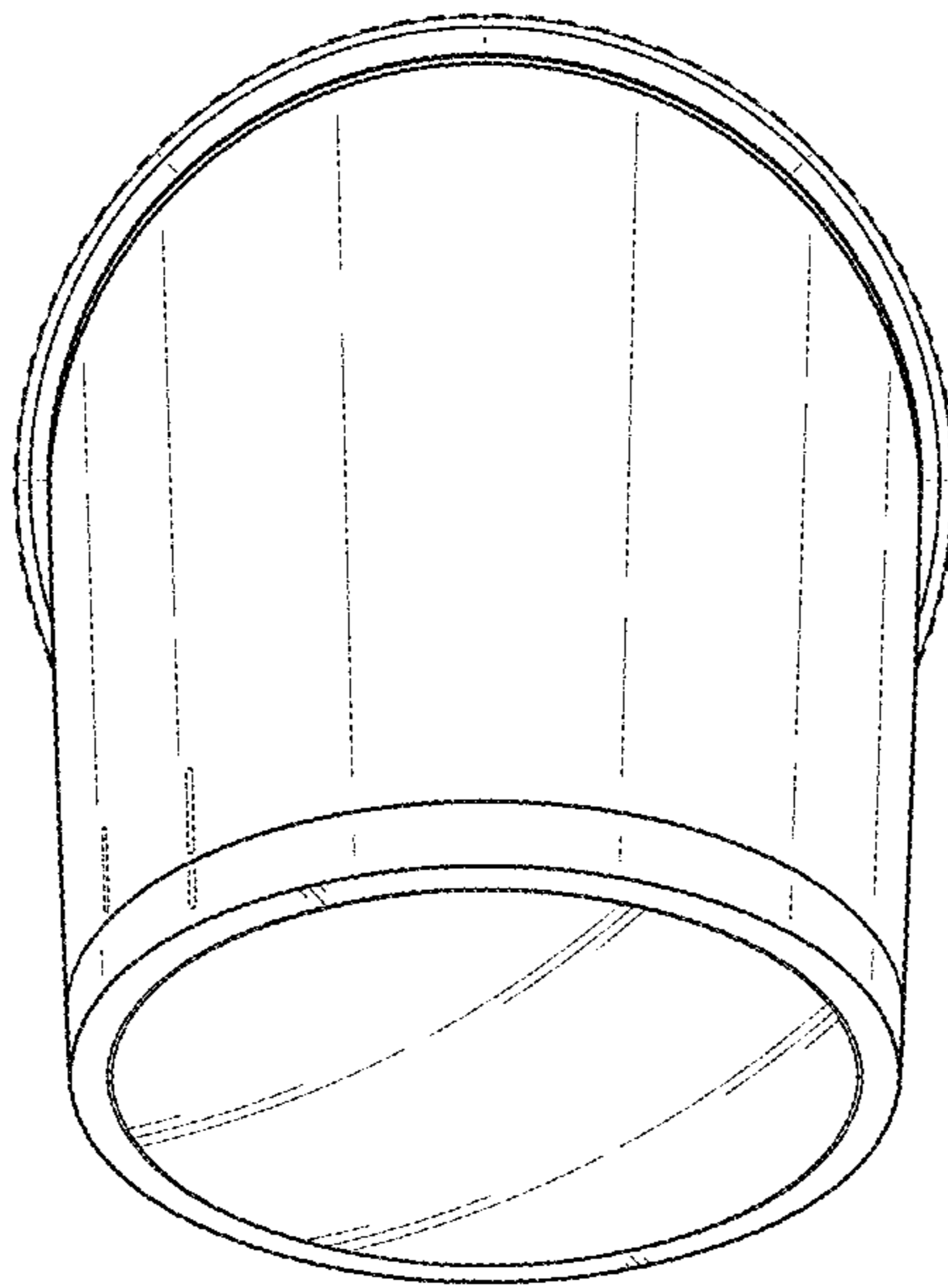


FIG. 14

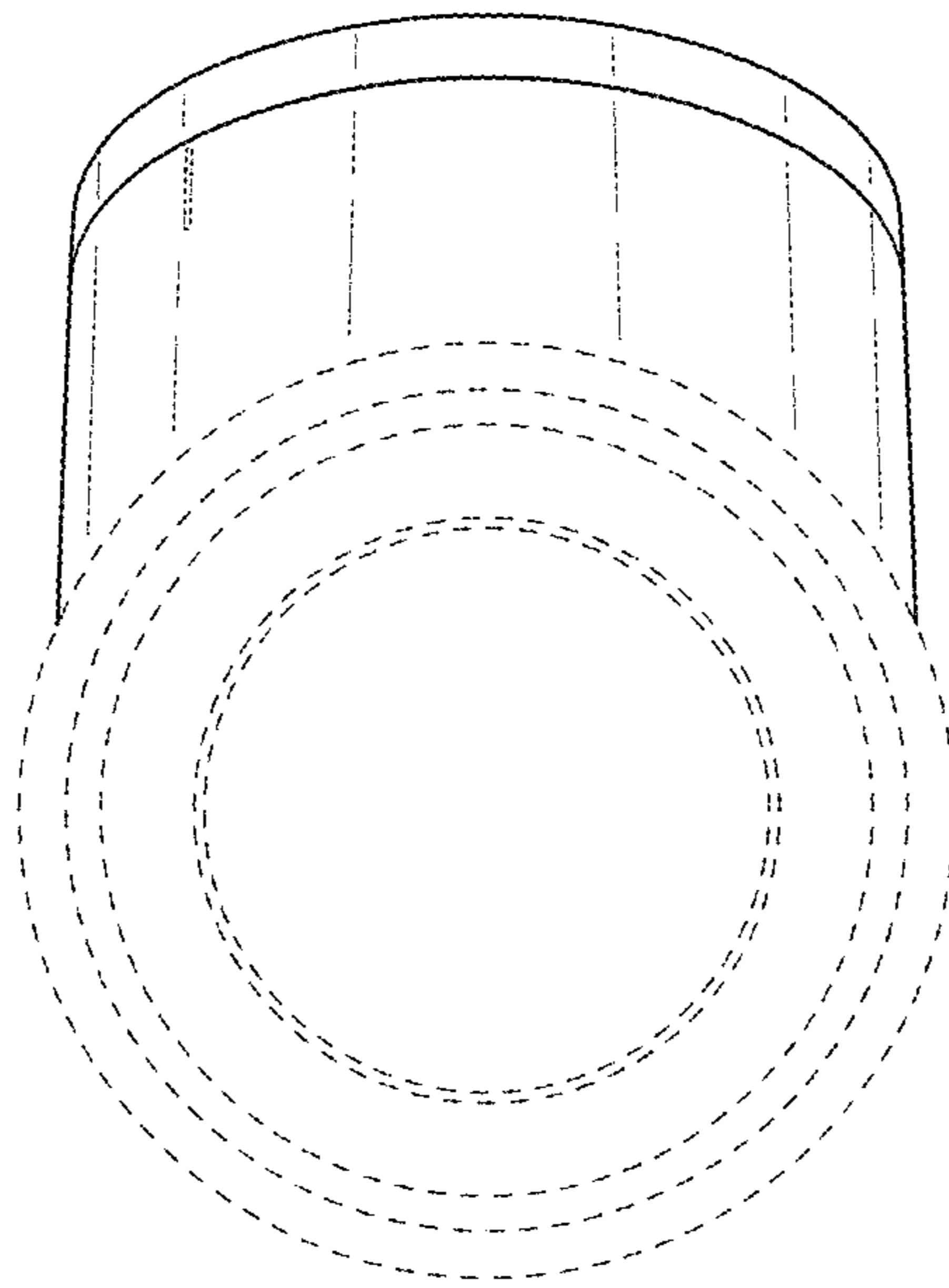




FIG. 15

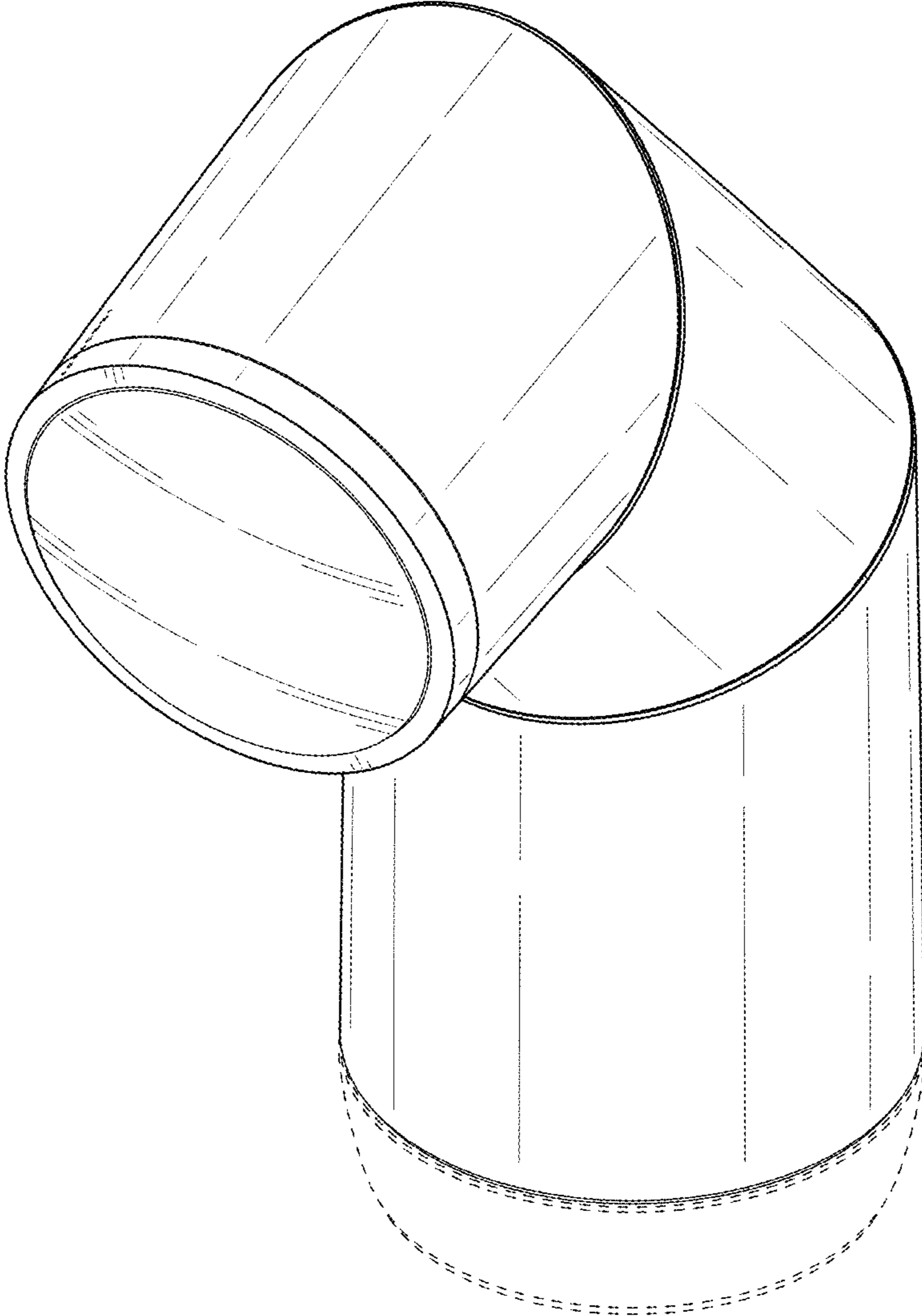


FIG. 16

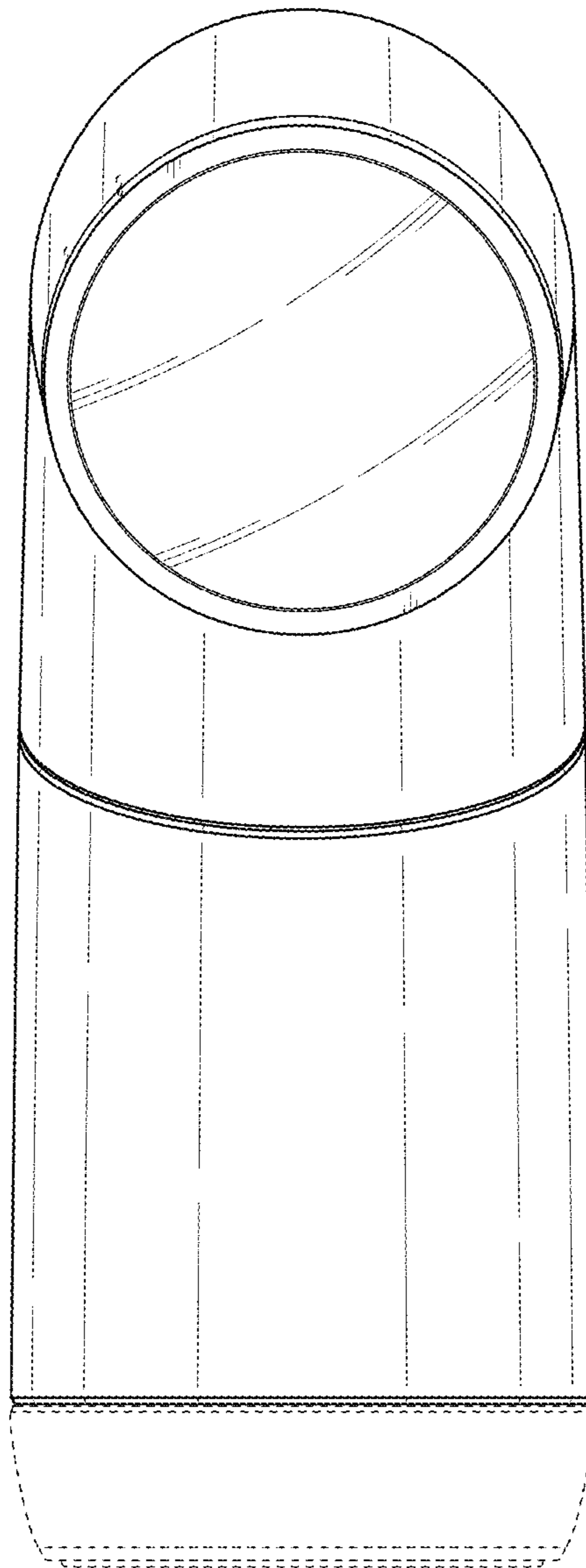


FIG. 17

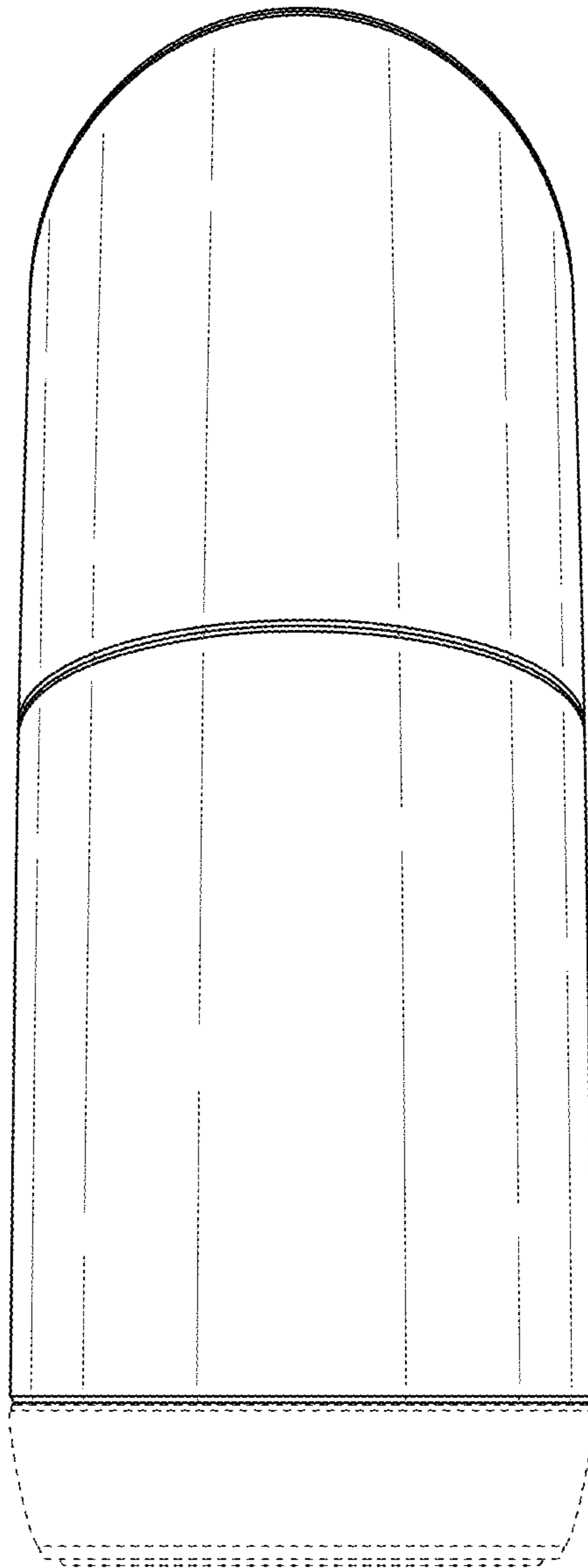


FIG. 18

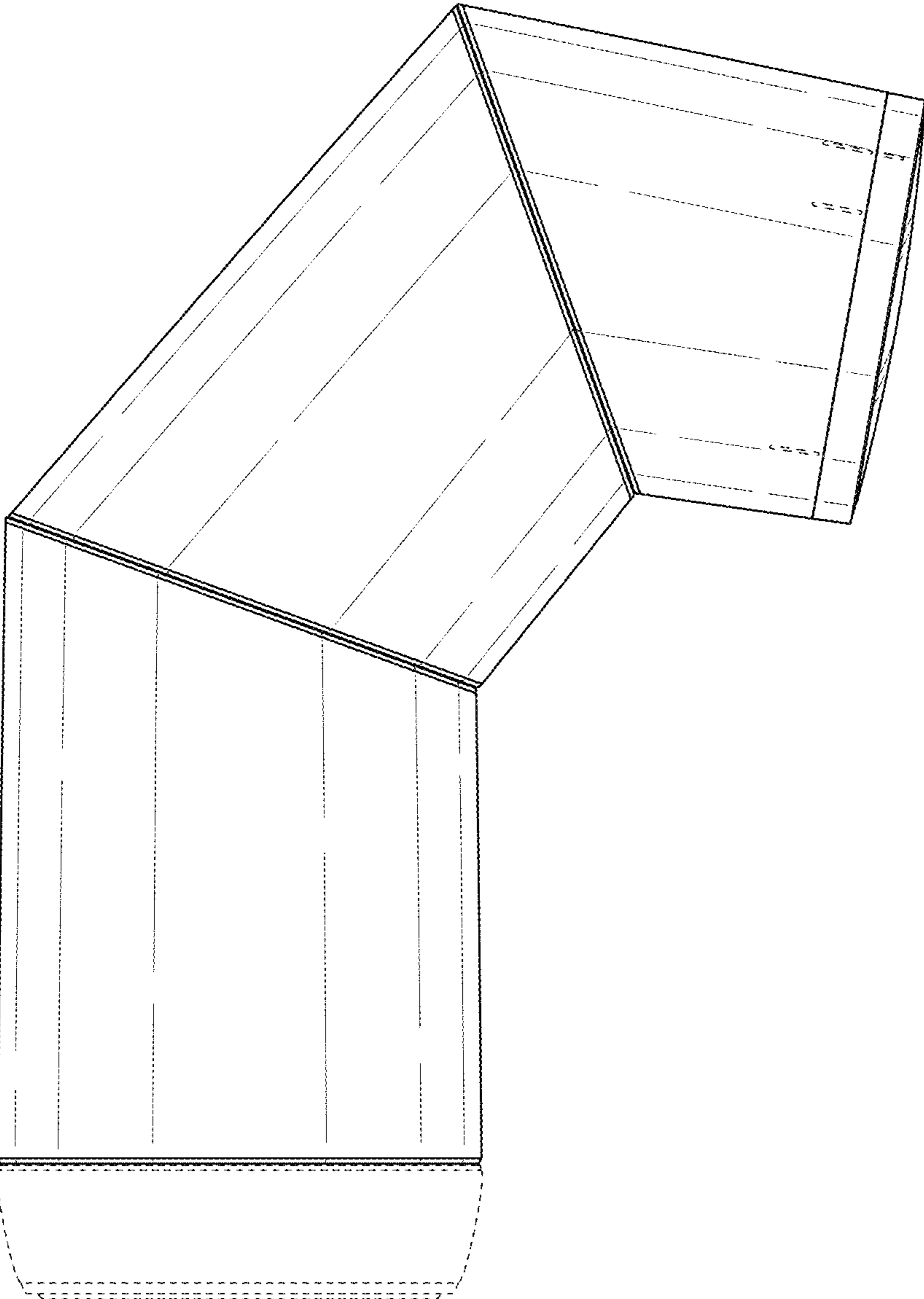


FIG. 19

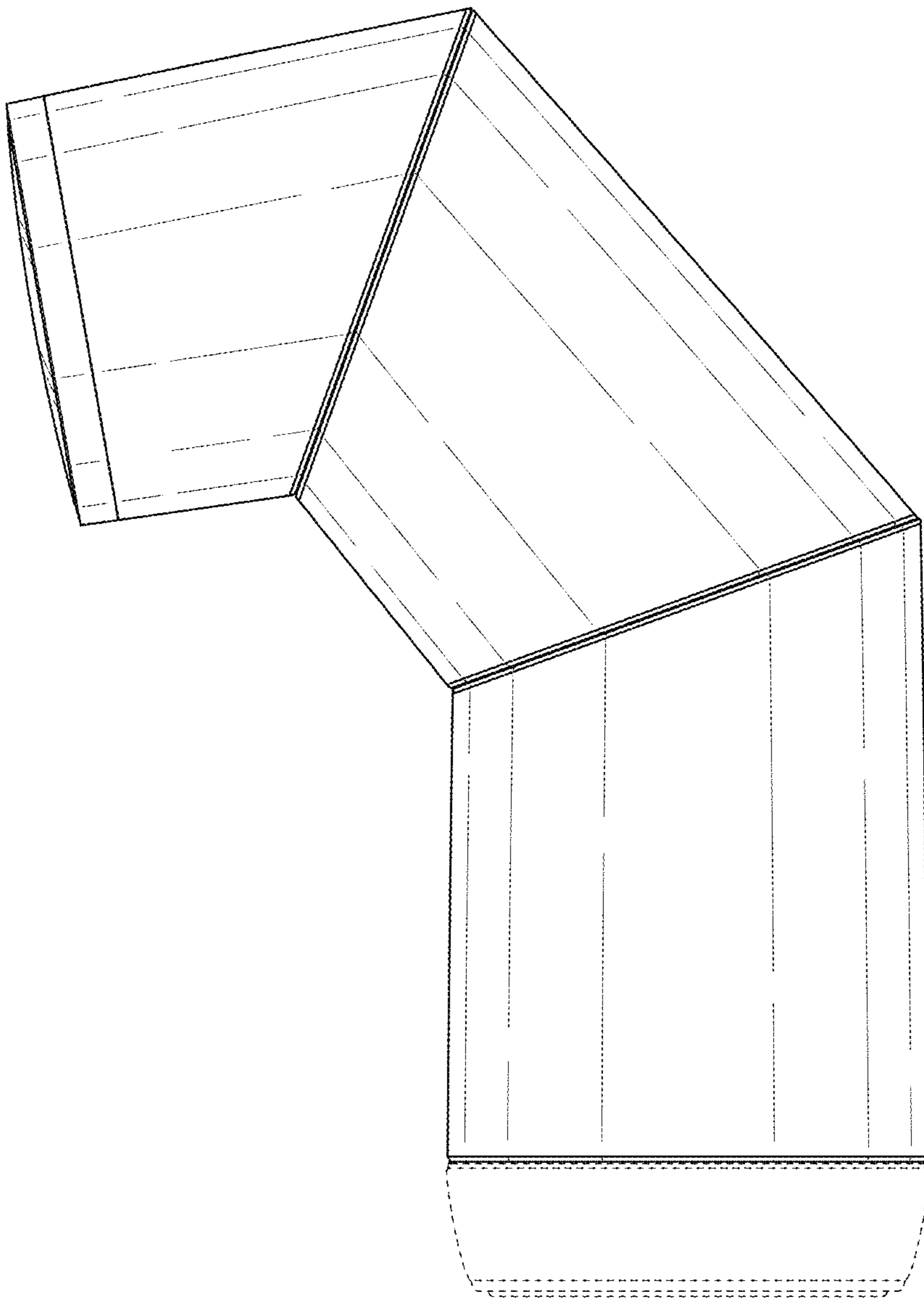


FIG. 20

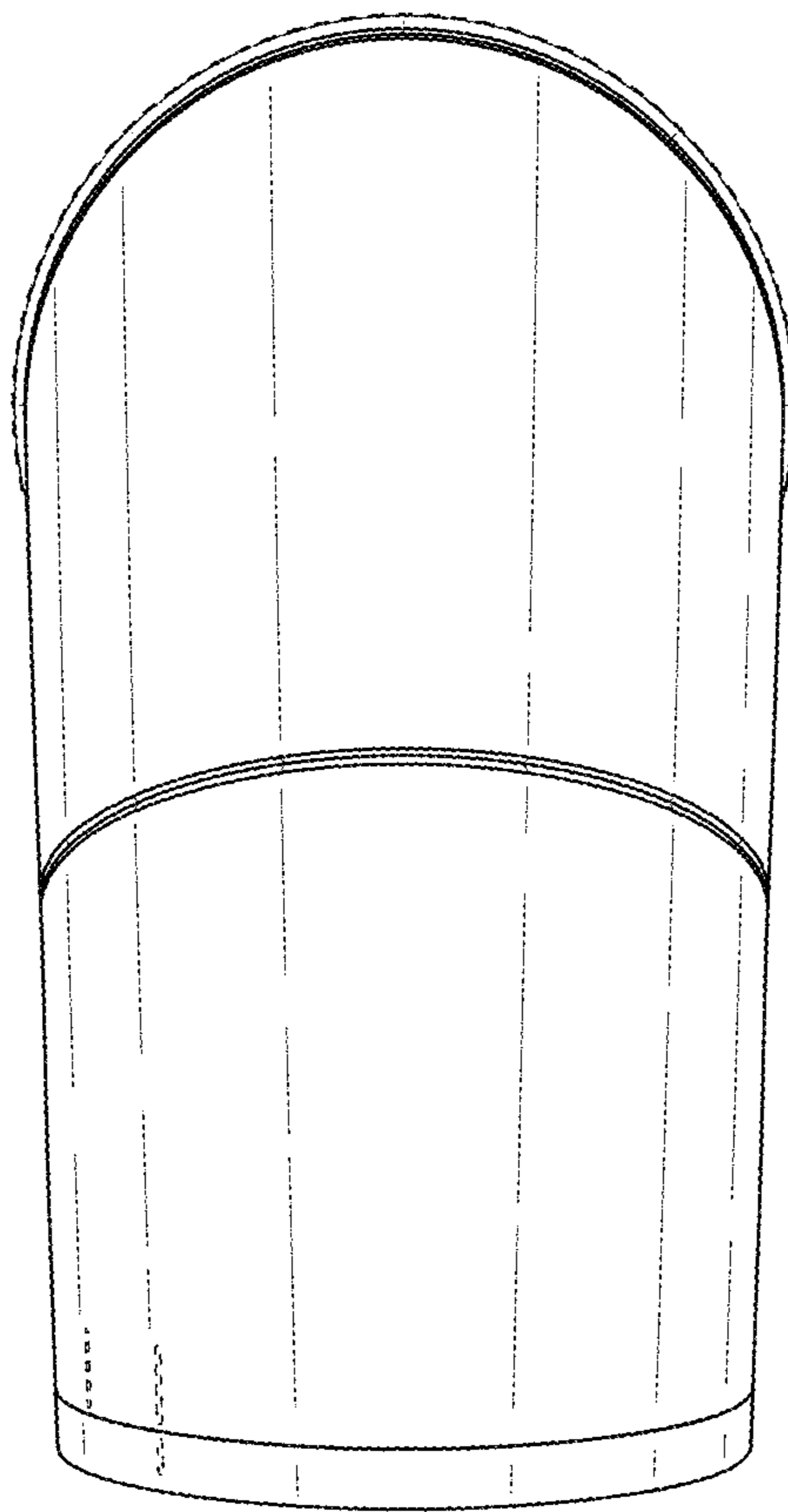


FIG. 21

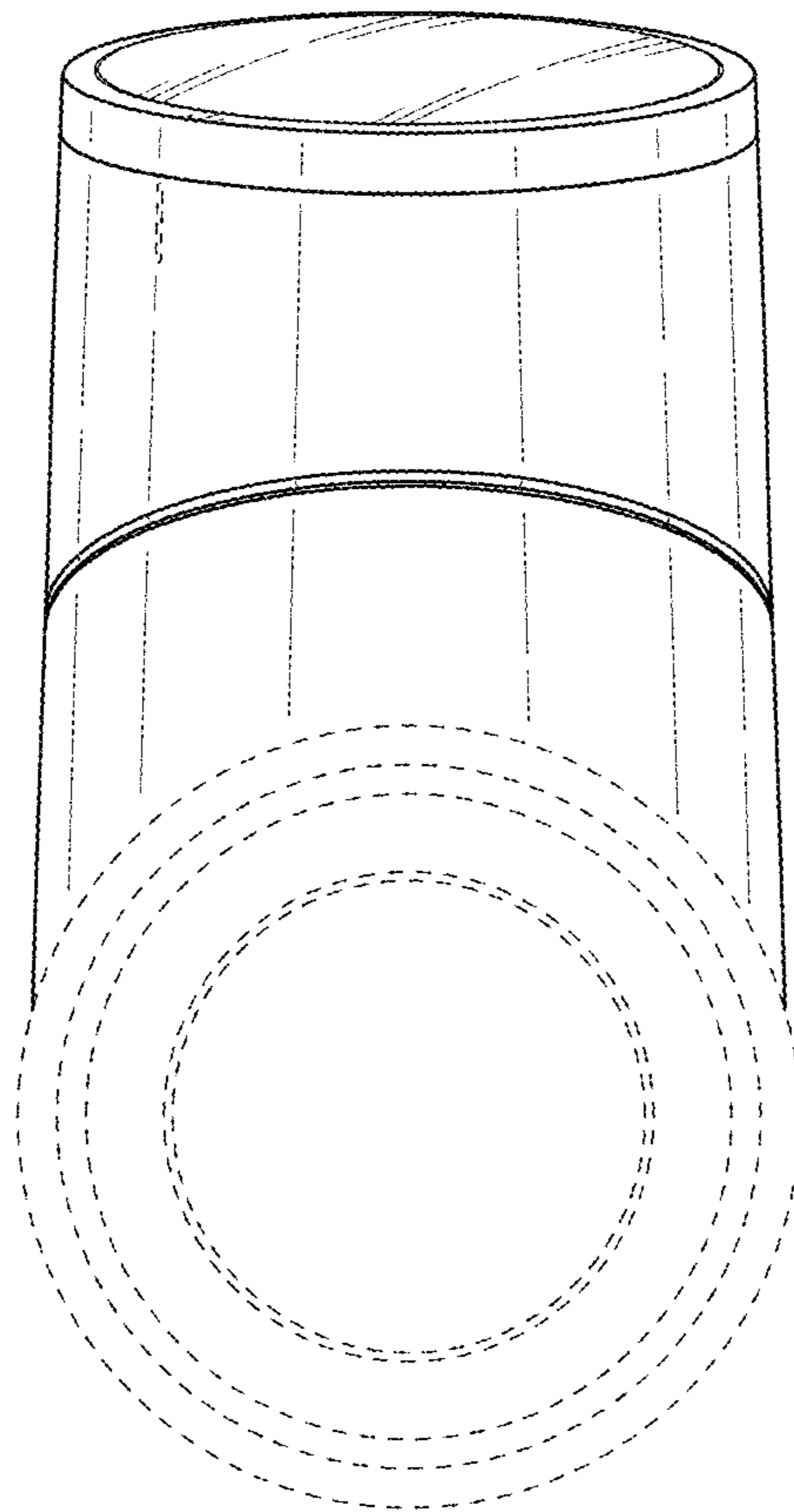


FIG. 22

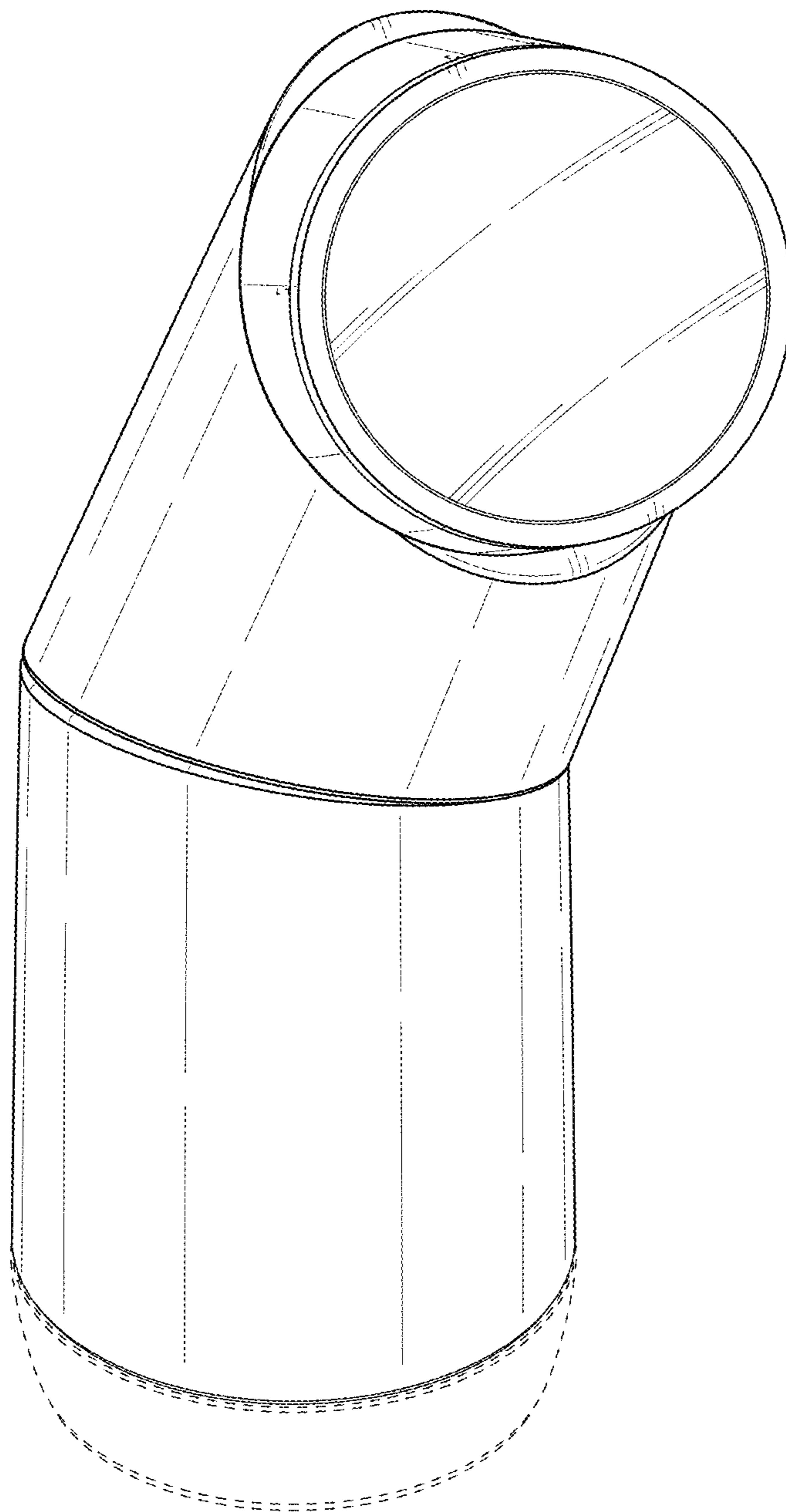




FIG. 23

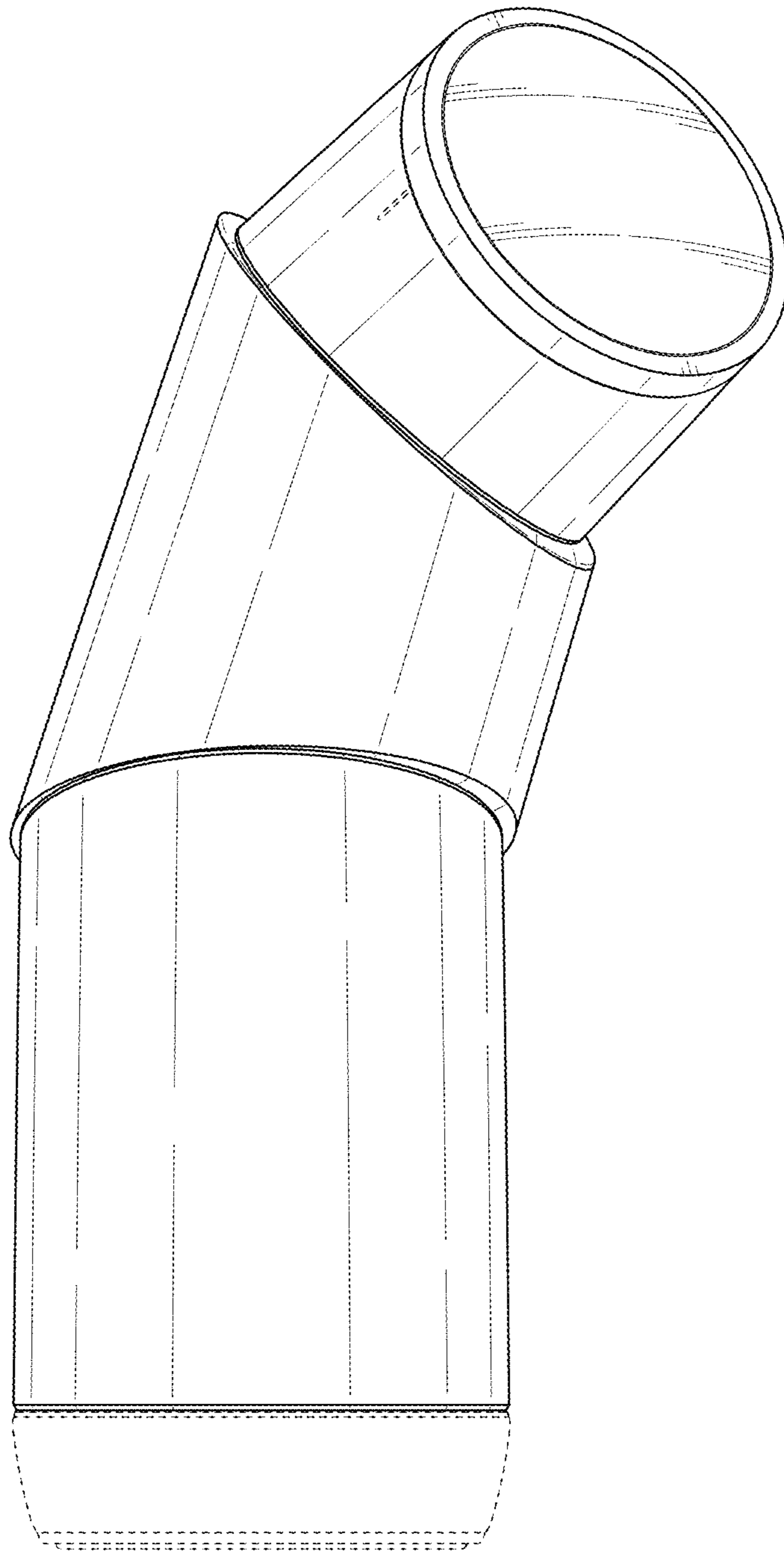


FIG. 24

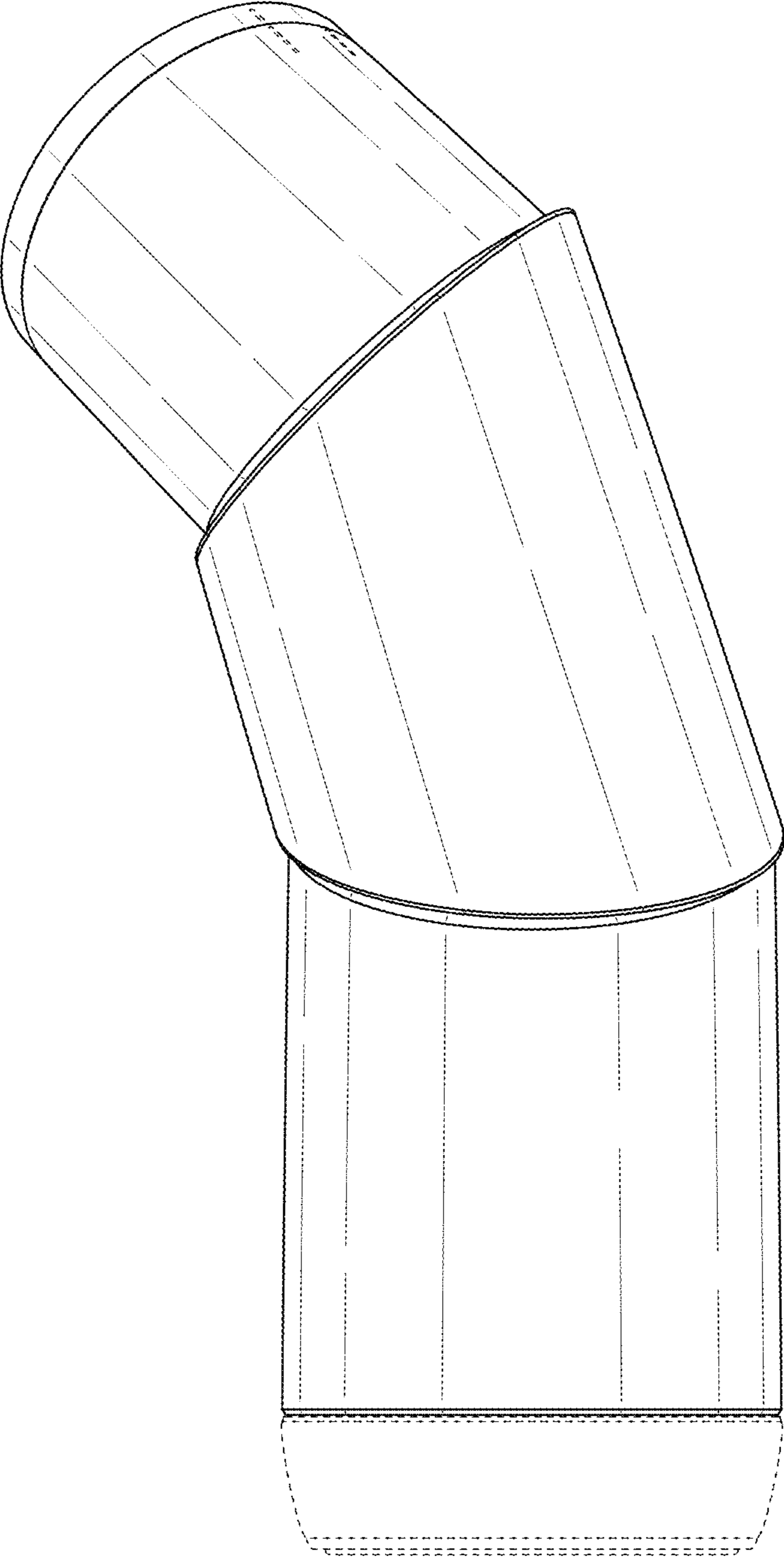


FIG. 25

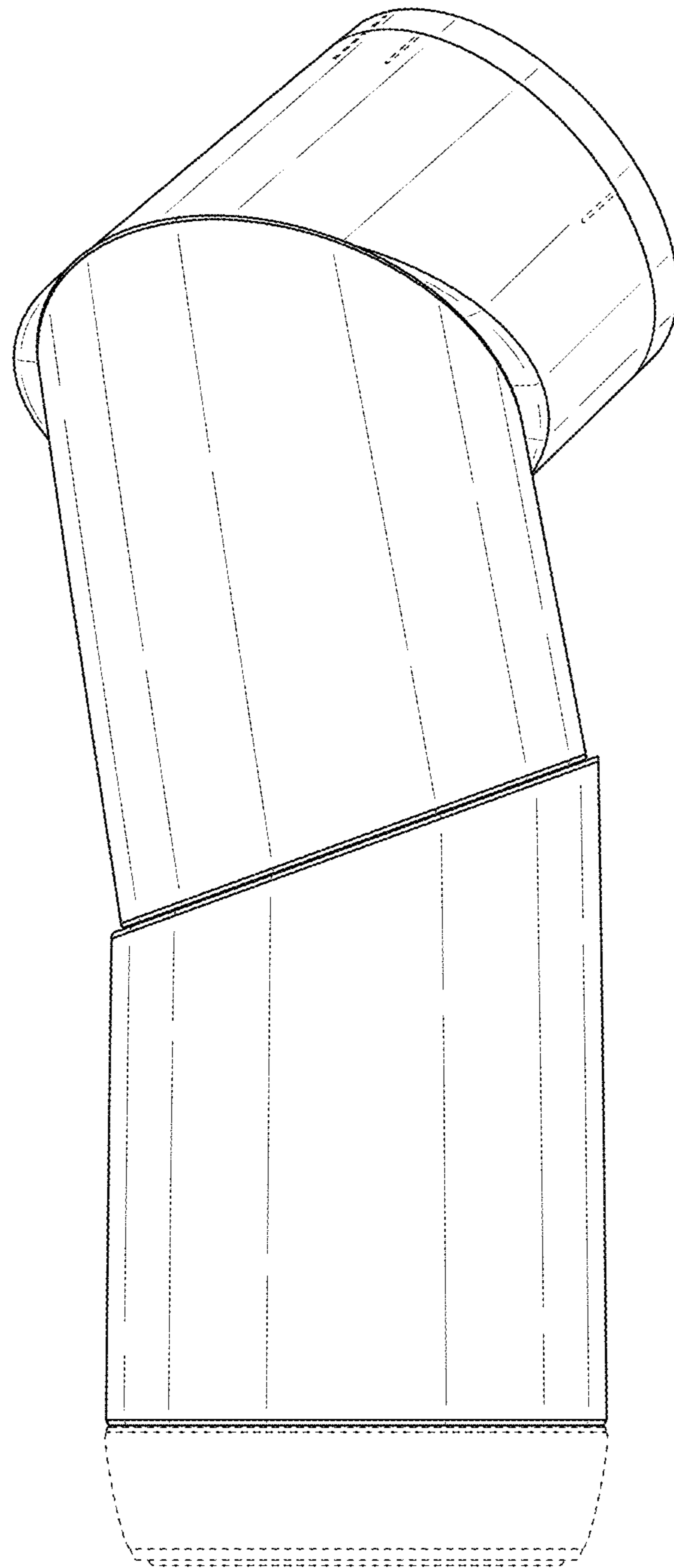


FIG. 26

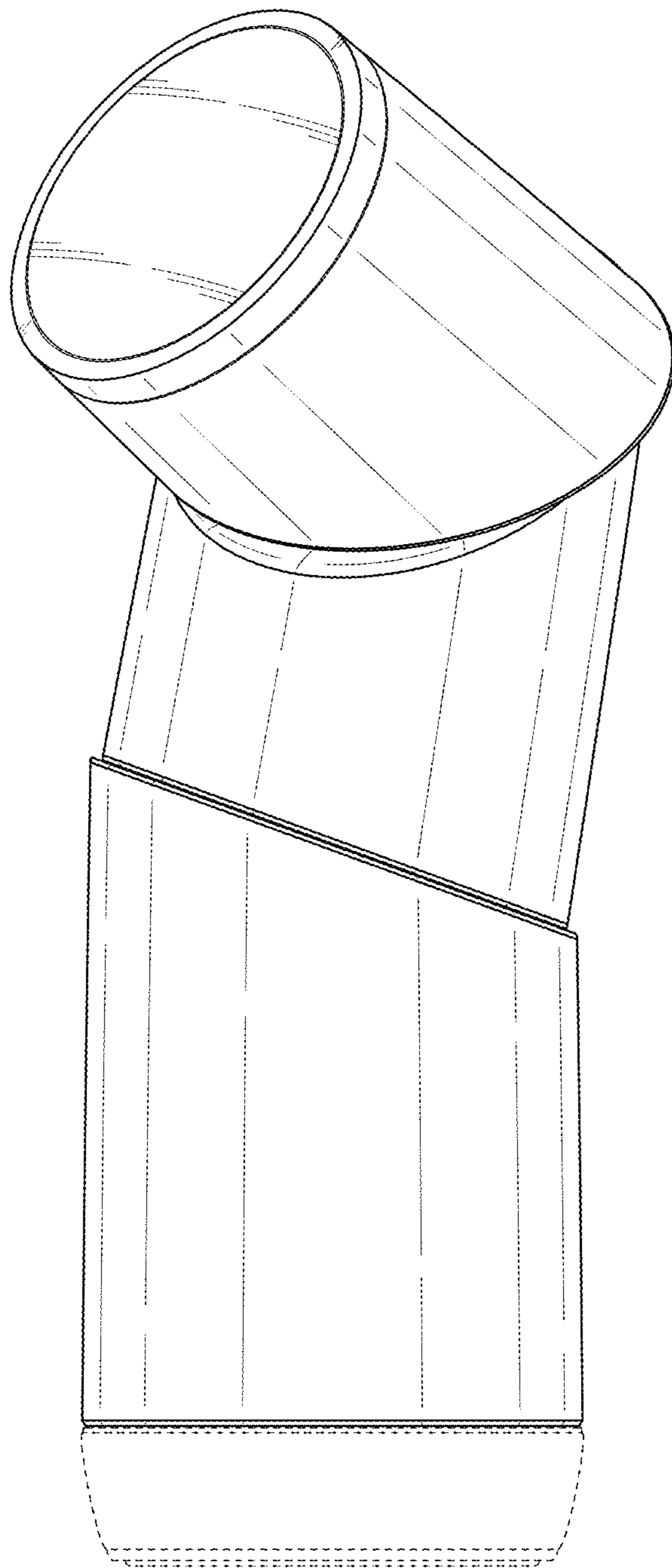


FIG. 27

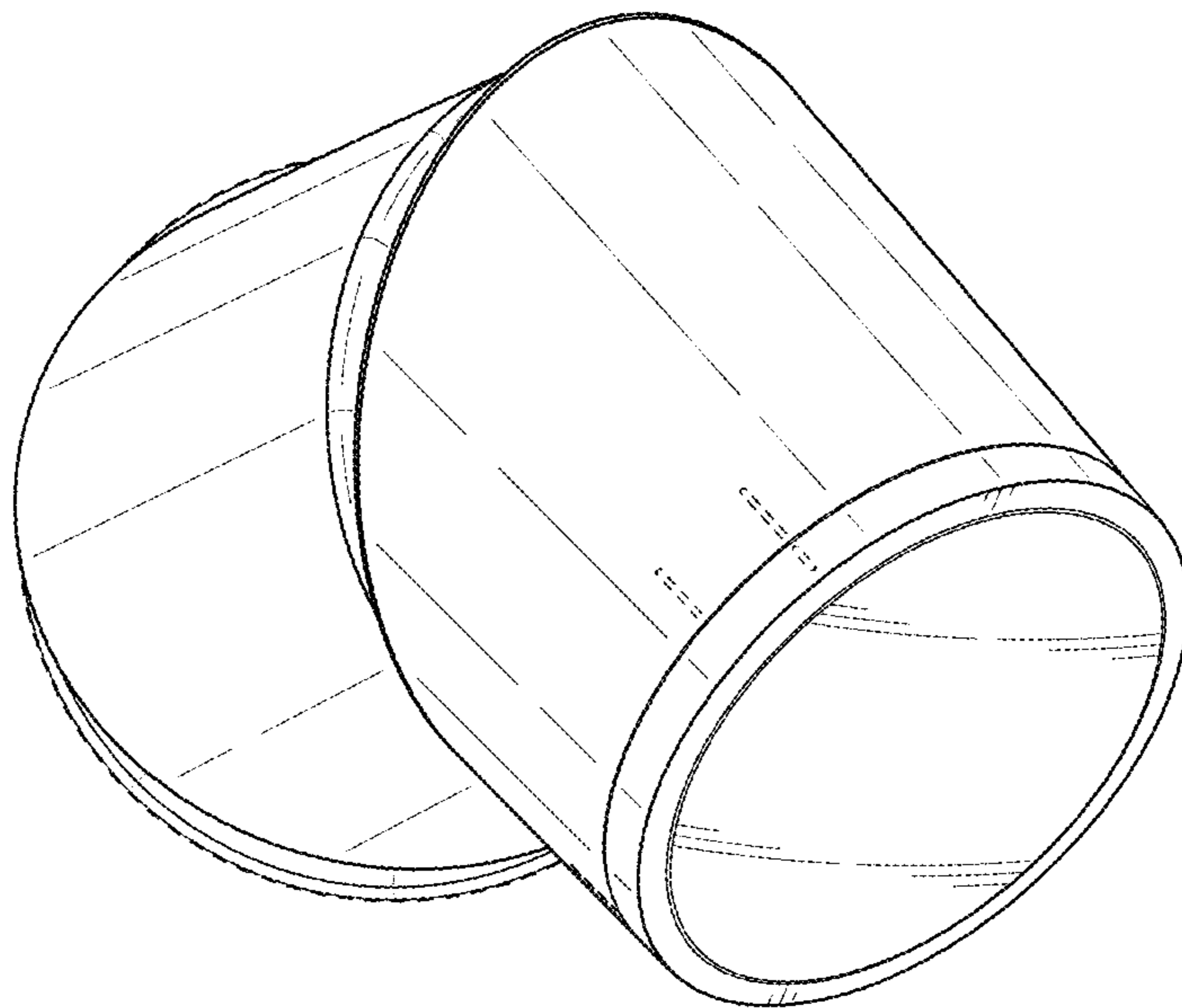


FIG. 28

