



US00D832327S

(12) **United States Design Patent**  
**Miao et al.**

(10) **Patent No.:** **US D832,327 S**  
(45) **Date of Patent:** **\*\* Oct. 30, 2018**

(54) **ROBOT**

D761,894 S \* 7/2016 Ho ..... D15/199  
D765,180 S \* 8/2016 Huang ..... D20/5  
D791,955 S \* 7/2017 Gilbert ..... D24/109

(71) Applicant: **UBTECH Robotics Corp.**, Shenzhen (CN)

FOREIGN PATENT DOCUMENTS

(72) Inventors: **Yusi Miao**, Shenzhen (CN); **Wenhua Yu**, Shenzhen (CN); **Libing Zhou**, Shenzhen (CN); **Qi Zhao**, Shenzhen (CN); **Youjun Xiong**, Shenzhen (CN)

CN 201230059599 \* 3/2012

OTHER PUBLICATIONS

(73) Assignee: **UBTECH ROBOTICS CORP.**, Shenzhen (CN)

Slash Gear, iCamPRO home security “robot is an all-seeing eye”, posted Dec. 20, 2014, [online], [site visited May 17, 2018]. Available from Internet, <URL: <https://www.slashgear.com/icampro-home-security-robot-is-an-all-seeing-eye-20360248/>> (Year: 2014).\*  
Network India, MWC 2016—LG’s Latest Ball-Like Robot is like your very own BB8, posted Feb. 23, 2016, [online], [site visited May 17, 2018]. Available from Internet, <URL: <http://www.networkedindia.com/2016/02/23/mwc-2016-lgs-latest-ball-like-robot-is-like-your-very-own-bb8/>> (Year: 2016).\*

(\*\*) Term: **15 Years**

(Continued)

(21) Appl. No.: **29/593,991**

(22) Filed: **Feb. 14, 2017**

(51) **LOC (11) Cl.** ..... **15-99**

(52) **U.S. Cl.**  
USPC ..... **D15/199**

(58) **Field of Classification Search**  
USPC ..... D15/199, 144; D21/578, 579, 576, D21/621–623, 624–627, 630; D24/185; D14/302, 307  
CPC ..... B25J 9/044; B25J 9/003; B25J 9/0078; B25J 9/102; B25J 18/00; B25J 18/002; B25J 18/04; B25J 18/007; B25J 15/00; B25J 15/0033; B25J 15/0038

See application file for complete search history.

(56) **References Cited**

U.S. PATENT DOCUMENTS

D549,756 S \* 8/2007 Park ..... D15/199  
D624,610 S \* 9/2010 Wu ..... D21/578  
D635,603 S \* 4/2011 Paz Rodriguez ..... D15/199  
D685,438 S \* 7/2013 Fan ..... D15/199  
9,092,021 B2 \* 7/2015 Wong ..... G06F 3/0362

*Primary Examiner* — Sheryl Lane  
*Assistant Examiner* — Samantha N Wood

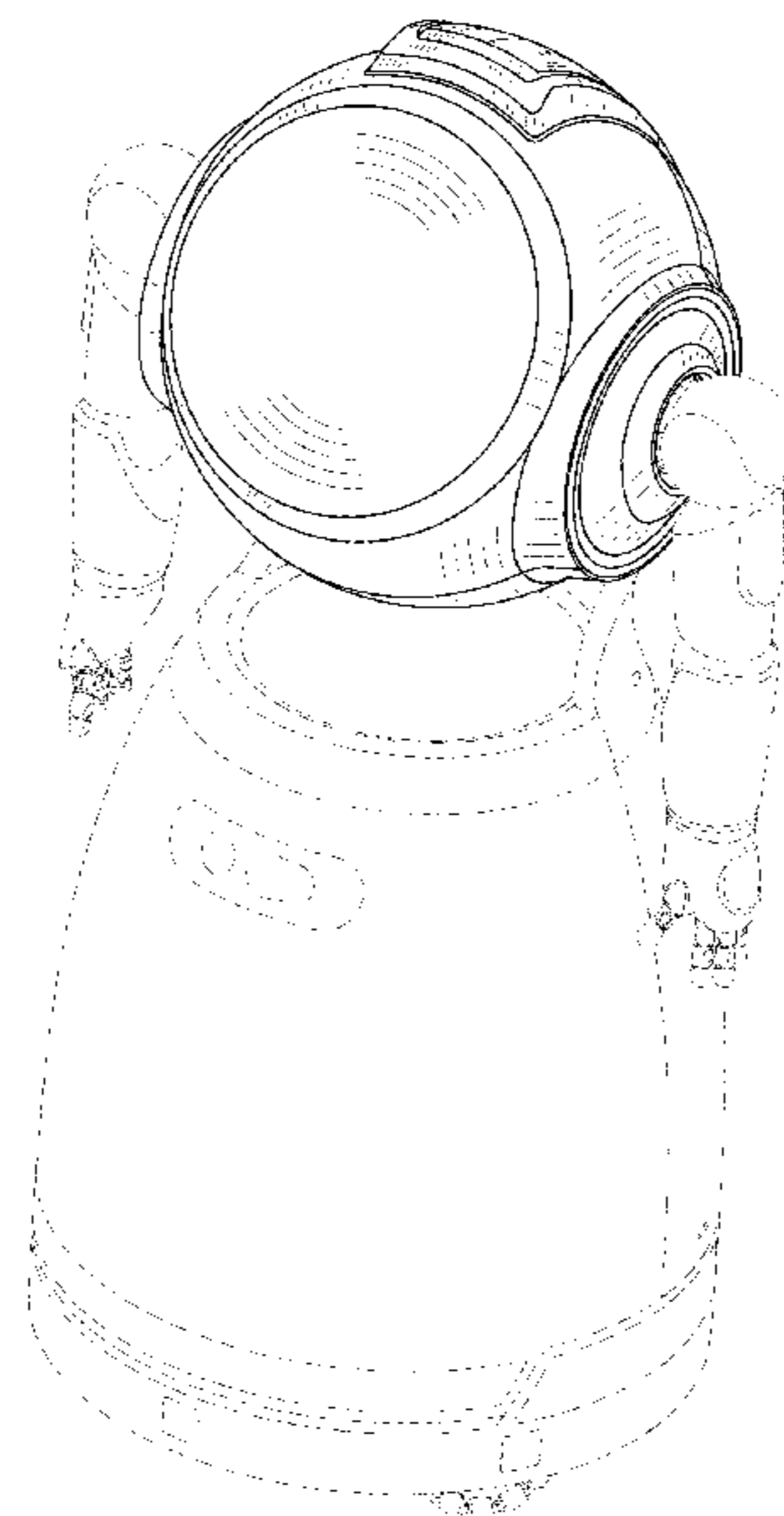
(57) **CLAIM**

The ornamental design for a robot, as shown and described.

**DESCRIPTION**

FIG. 1 is a perspective view of a robot showing our new design;  
FIG. 2 is a front elevational view thereof;  
FIG. 3 is a rear elevational view thereof;  
FIG. 4 is a left side elevational view thereof;  
FIG. 5 is a right side elevational view thereof;  
FIG. 6 is a top plan view thereof; and,  
FIG. 7 is a bottom plan view thereof.  
The broken lines are included for the purpose of illustrating the environmental structure and form no part of the claimed design.

**1 Claim, 7 Drawing Sheets**



(56)

**References Cited**

OTHER PUBLICATIONS

Electricpig, WowWee Spyball rolls out spherical snooping, posted Jan. 7, 2009, [online], [site visited May 17, 2018]. Available from Internet, <URL: <http://www.electricpig.co.uk/2009/01/07/wowwee-spyball-rolls-out-spherical-snooping/index.html>> (Year: 2009).\*

Etoy Tumblr, Snowballcam—filming Spherical Robot, posted 2011, [online], [site visited May 17, 2018]. Available from Internet, <URL: <http://etoy.tumblr.com/post/5007938430/snowballcam-filming-spherical-robot-for-a>> (Year: 2011).\*

\* cited by examiner

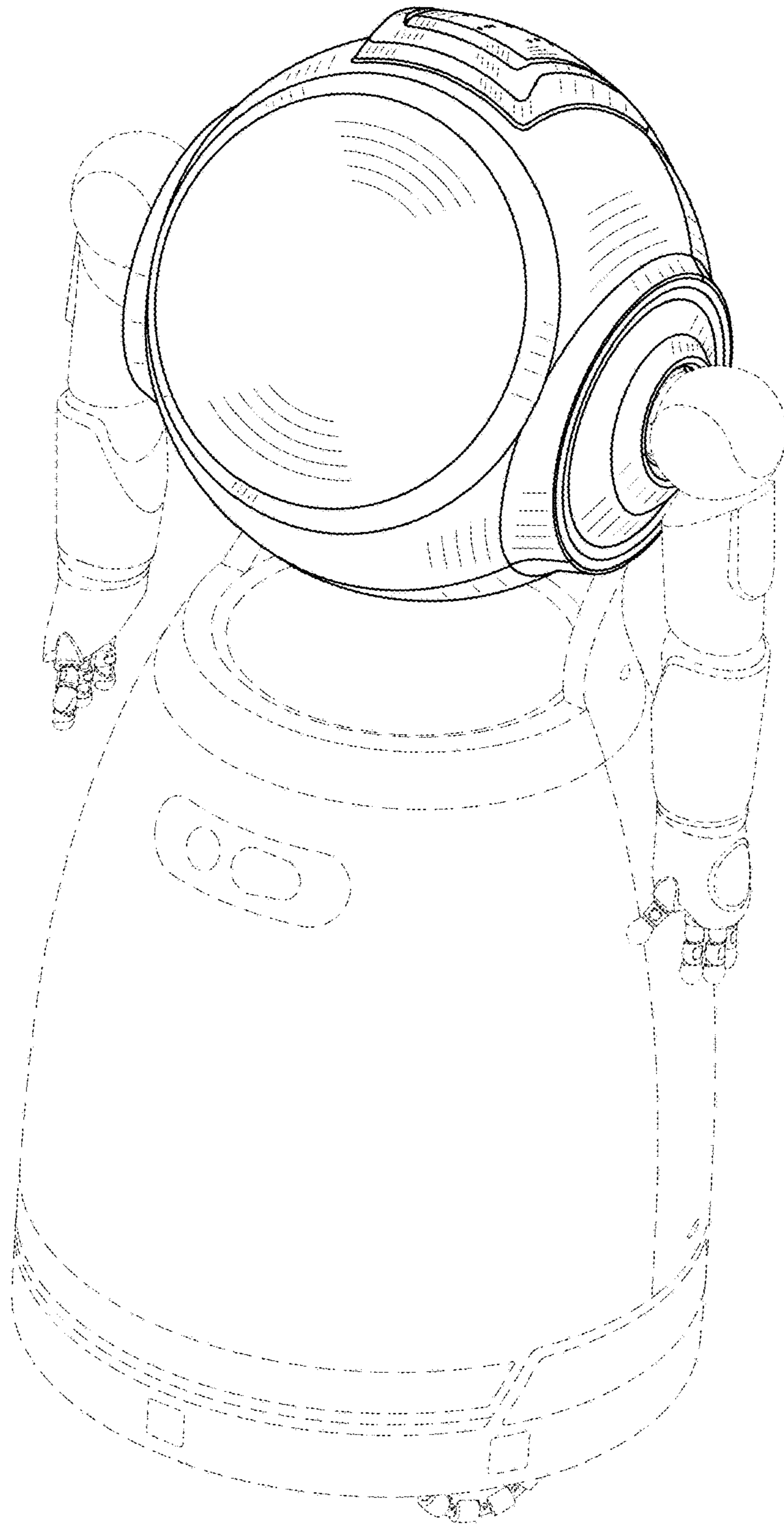


FIG. 1

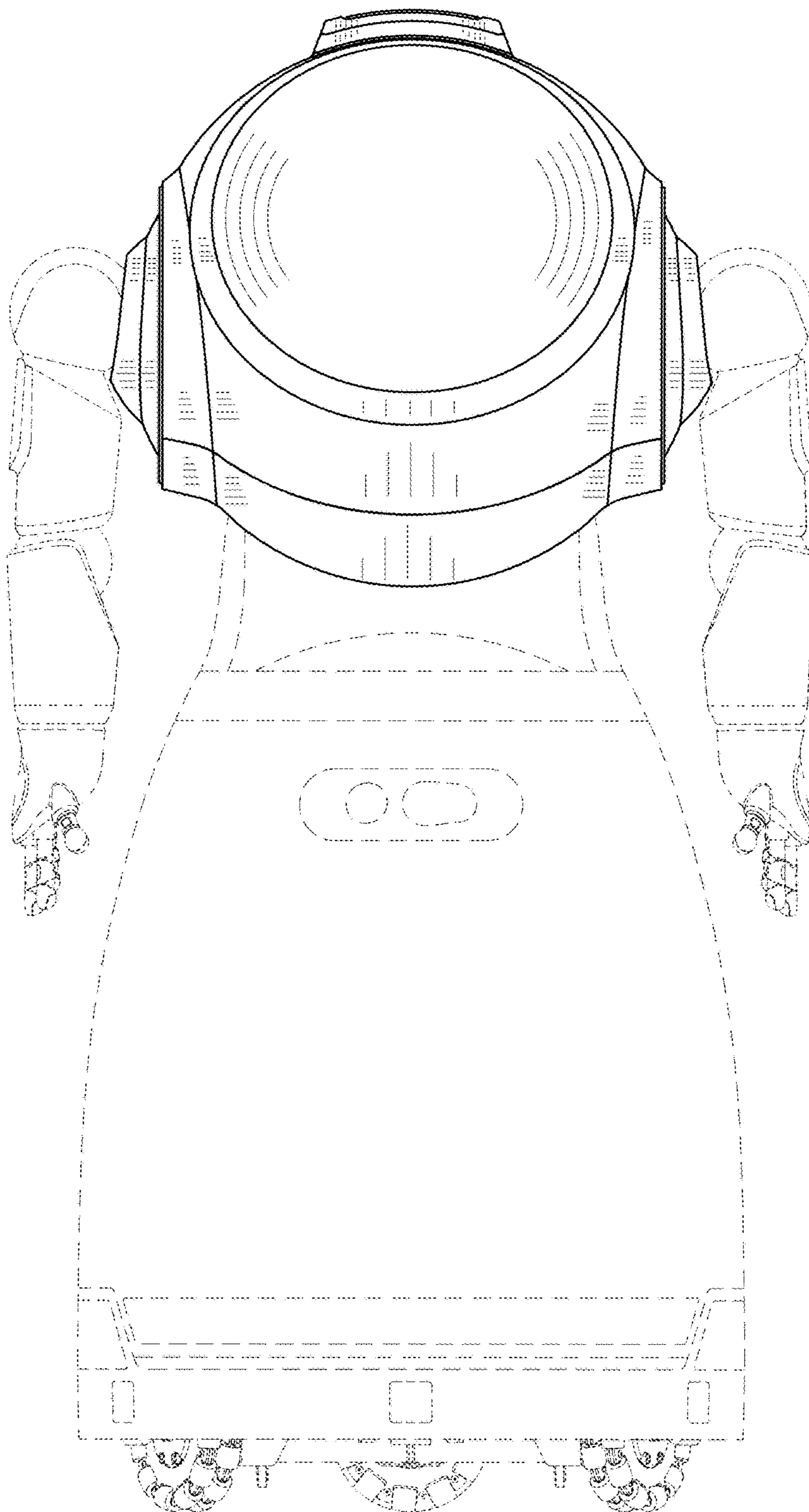


FIG. 2

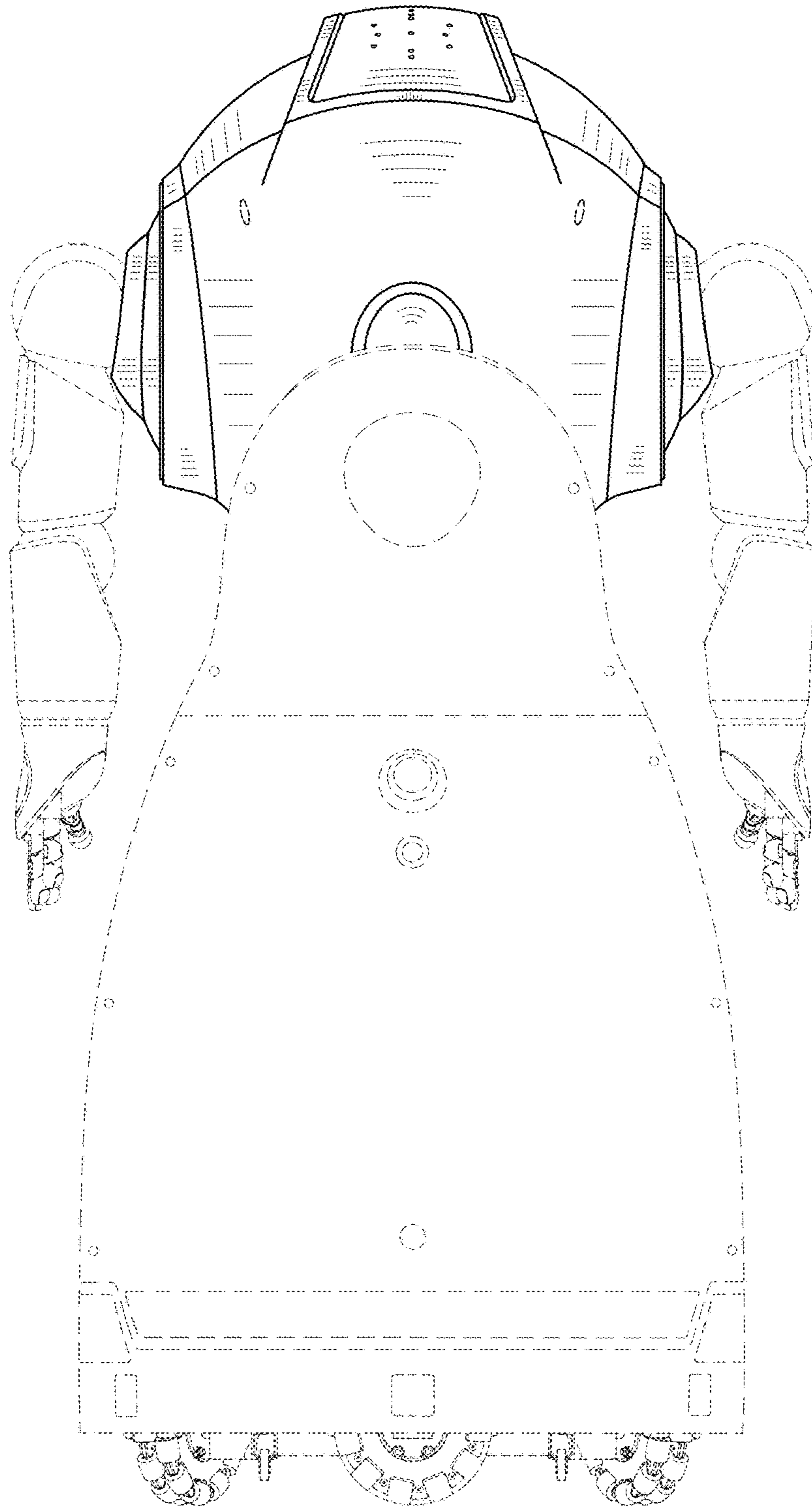


FIG. 3

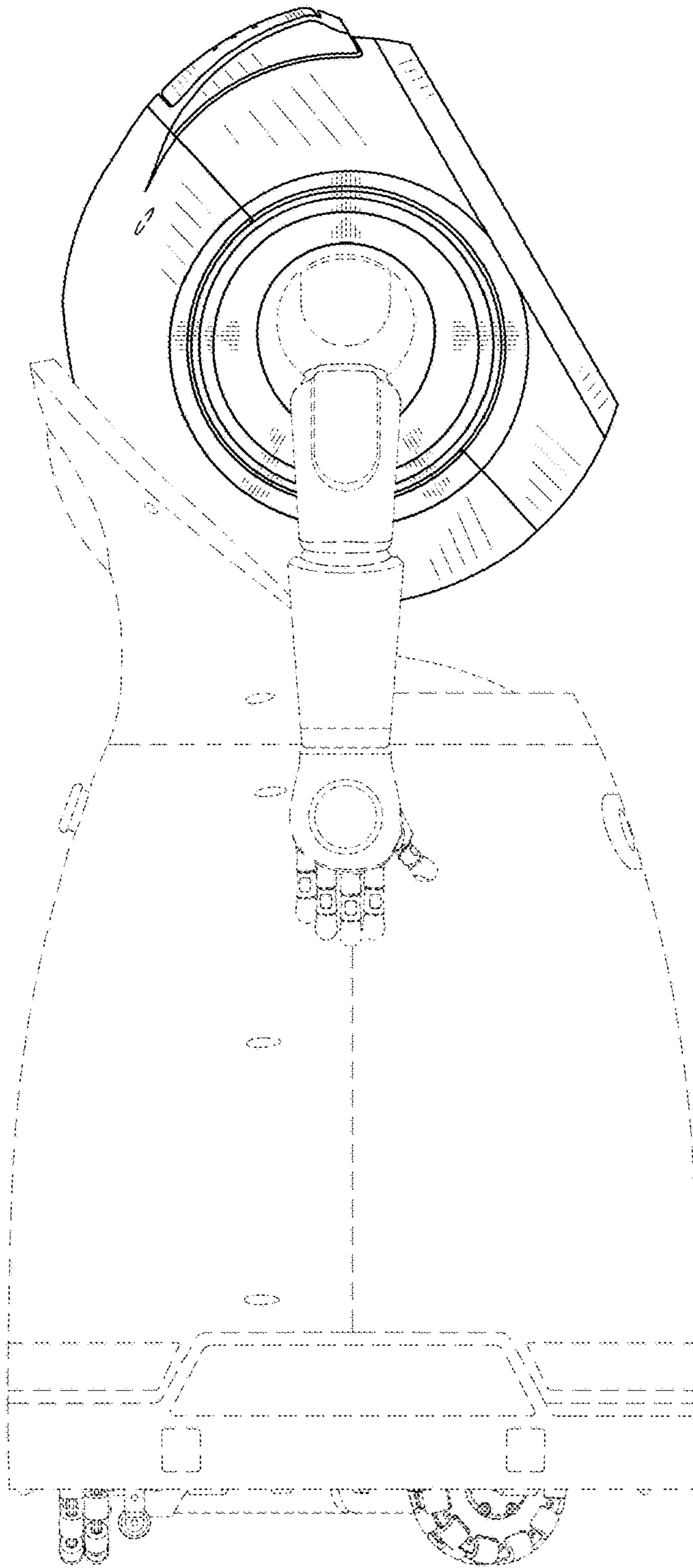


FIG. 4

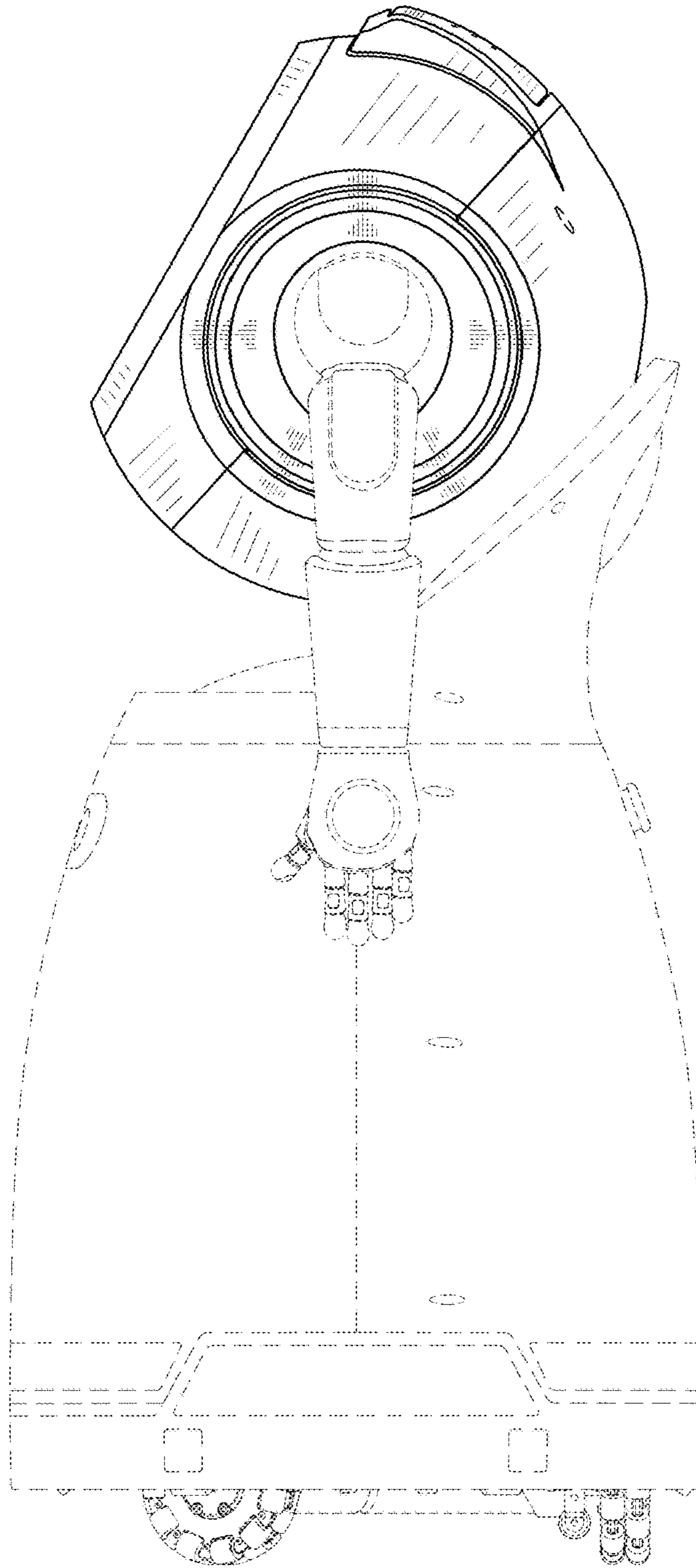


FIG. 5

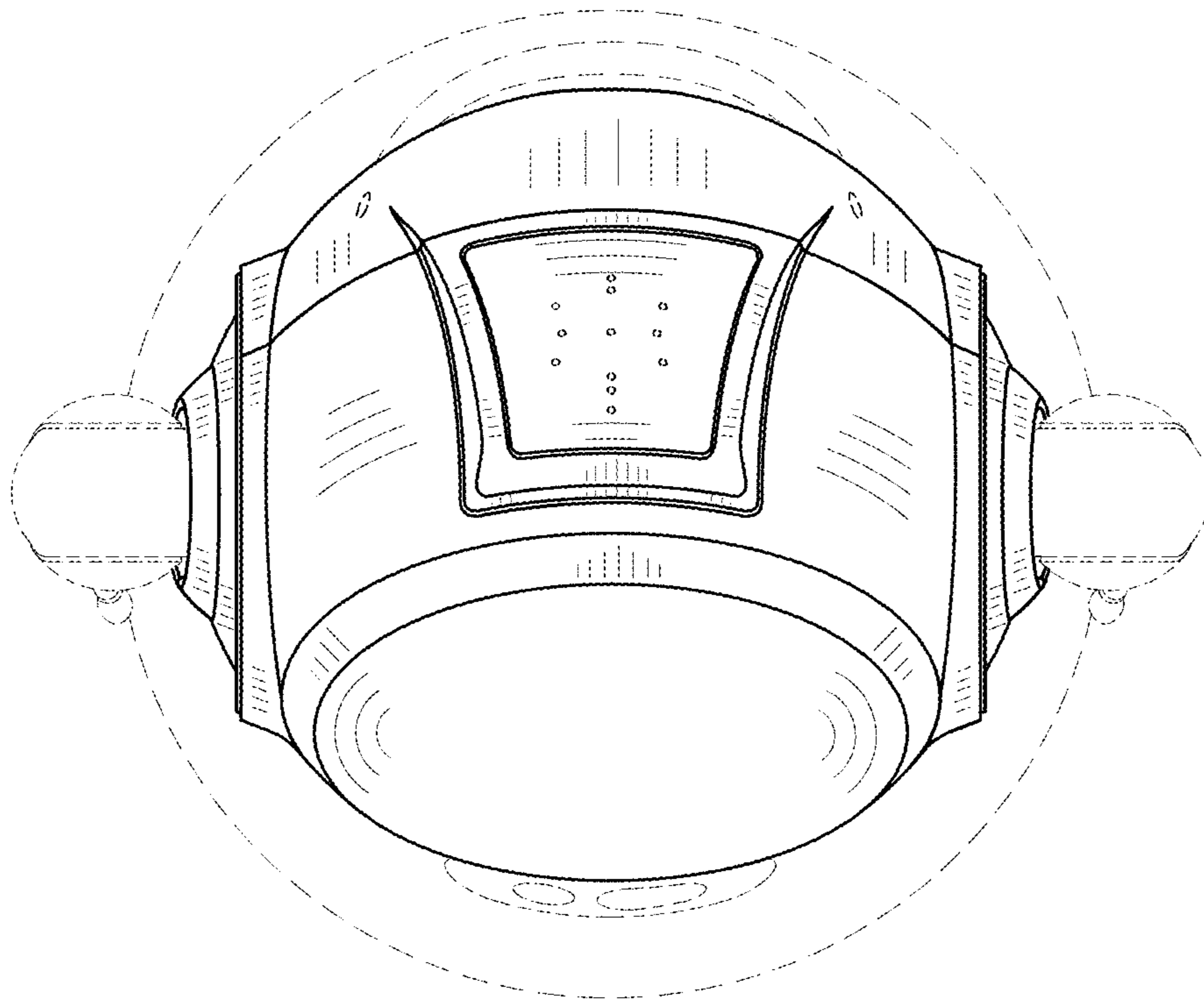


FIG. 6



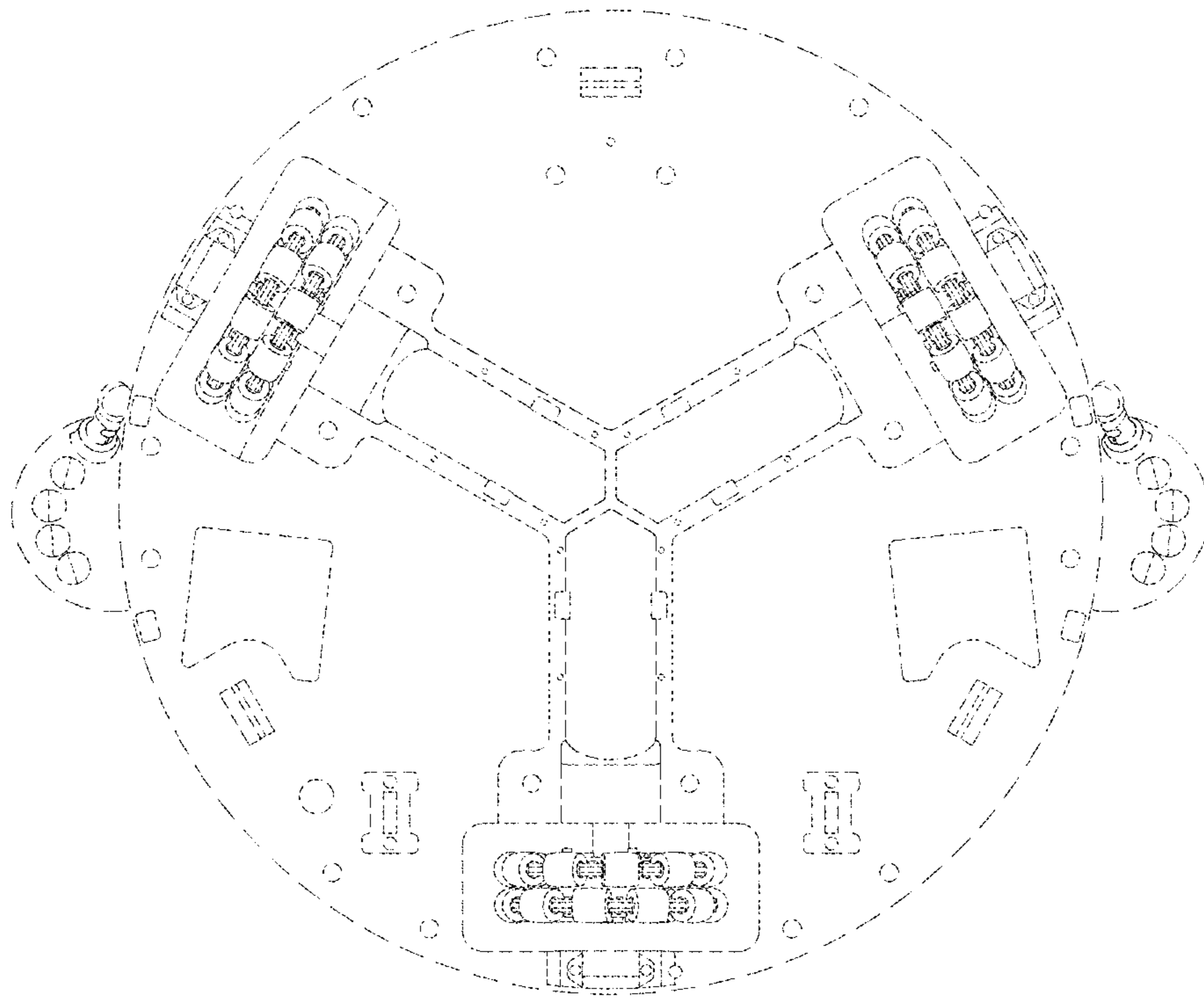


FIG. 7