



US00D832326S

(12) **United States Design Patent** (10) **Patent No.:** **US D832,326 S**
Lee et al. (45) **Date of Patent:** **** Oct. 30, 2018**

(54) **HOUSEHOLD ROBOT**
(71) Applicant: **LG ELECTRONICS INC.**, Seoul (KR)
(72) Inventors: **Hophil Lee**, Seoul (KR); **Euiseok Lee**, Seoul (KR); **Seunghee Ha**, Seoul (KR)
(73) Assignee: **LG ELECTRONICS INC.**, Seoul (KR)

D465,733 S * 11/2002 Hill D9/519
D547,430 S * 7/2007 Low D21/713
D580,994 S * 11/2008 Johansson D21/713
D592,257 S * 5/2009 Tang D21/578
D596,244 S * 7/2009 Levy D21/622
D596,306 S * 7/2009 Levine D24/214
8,814,629 B2 * 8/2014 Johnston A63H 33/003
273/359
D731,180 S * 6/2015 Neuhaus D3/273
D777,847 S * 1/2017 Rost D21/680
D810,166 S * 2/2018 Lee D15/199

(**) Term: **15 Years**
(21) Appl. No.: **29/564,036**
(22) Filed: **May 10, 2016**

OTHER PUBLICATIONS

LG Rolling Bot at MWC 2016, posted on youtube.com, published Feb. 22, 2016, no production date given, [online], [site visited Jul. 12, 2017], Available from Internet.*

(30) **Foreign Application Priority Data**
Nov. 11, 2015 (KR) 30-2015-0056727
(51) **LOC (11) Cl.** **15-99**
(52) **U.S. Cl.**
USPC **D15/199; D21/578**
(58) **Field of Classification Search**
USPC D15/126, 138, 199; D21/345, 350, 360, D21/361, 362, 383, 384, 398, 399, 414, D21/415, 418, 428, 455, 467, 503, 504, D21/528, 529, 558, 578, 579, 594, 612, D21/621, 627, 658; D24/138, 155, 185, D24/198, 205, 208, 211, 231, 232; D29/124, 129; D34/35; D99/1, 17, 30, D99/34, 37, 38, 99
CPC G06N 3/00; G06N 3/004; G06N 3/006; G06N 3/008; G06N 5/00; A63H 3/00; G05B 19/00; B25J 9/00; G06C 7/60
See application file for complete search history.

(Continued)

Primary Examiner — Melanie H Tung
Assistant Examiner — Fritzgerald L Butac
(74) *Attorney, Agent, or Firm* — Birch, Stewart, Kolasch & Birch, LLP

(56) **References Cited**
U.S. PATENT DOCUMENTS

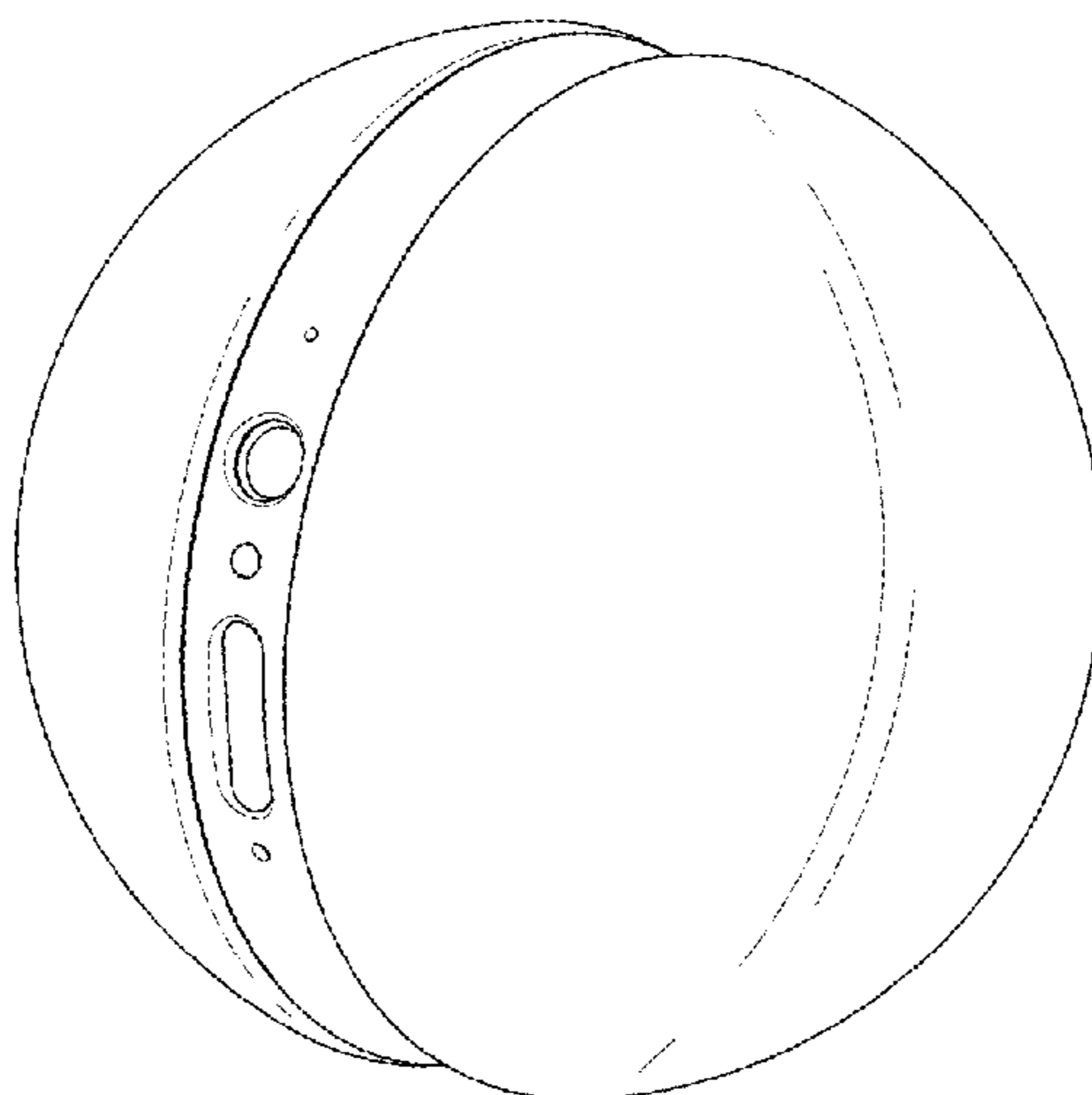
D420,403 S * 2/2000 Bart D21/398
D457,200 S * 5/2002 Dove D21/533

(57) **CLAIM**
The ornamental design for a household robot, as shown and described.

DESCRIPTION

FIG. 1 is a front, right side, perspective view of a household robot showing our new design;
FIG. 2 is a front view thereof;
FIG. 3 is a rear view thereof;
FIG. 4 is a left side view thereof;
FIG. 5 is a right side view thereof;
FIG. 6 is a top view thereof; and,
FIG. 7 is a bottom view.
The broken lines showing portions of a household robot form no part of the claimed design.

1 Claim, 7 Drawing Sheets



(56)

References Cited

OTHER PUBLICATIONS

WowWee Spyball rolls out spherical snooping, posted on electricpig.co.uk, posted Jan. 7, 2009, no production date given, [online], [site visited Jul. 12, 2017], Available from Internet.*

Spherical cells free up modular CellRobot design, posted on newatlas.com, posted Aug. 17, 2016, no production date given, [online], [site visited Jul. 12, 2017], Available from Internet.*

Rotundus the Spherical Robot Makes PopSci “Best of 2008”, posted on hizook.com, posted Nov. 11, 2008, no production date given, [online], [site visited Jul. 12, 2017], Available from Internet.*

* cited by examiner

FIG. 1

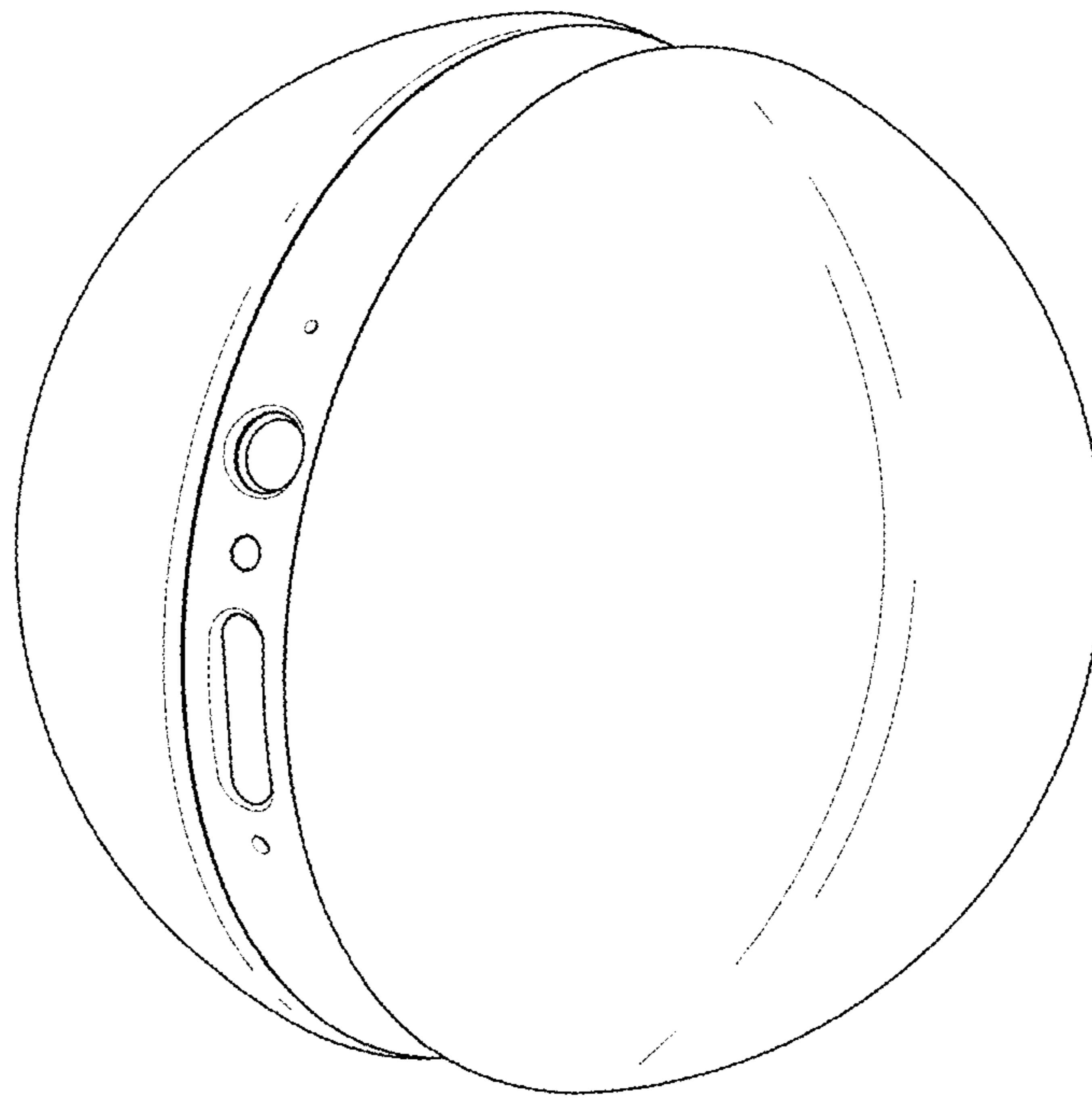


FIG. 2

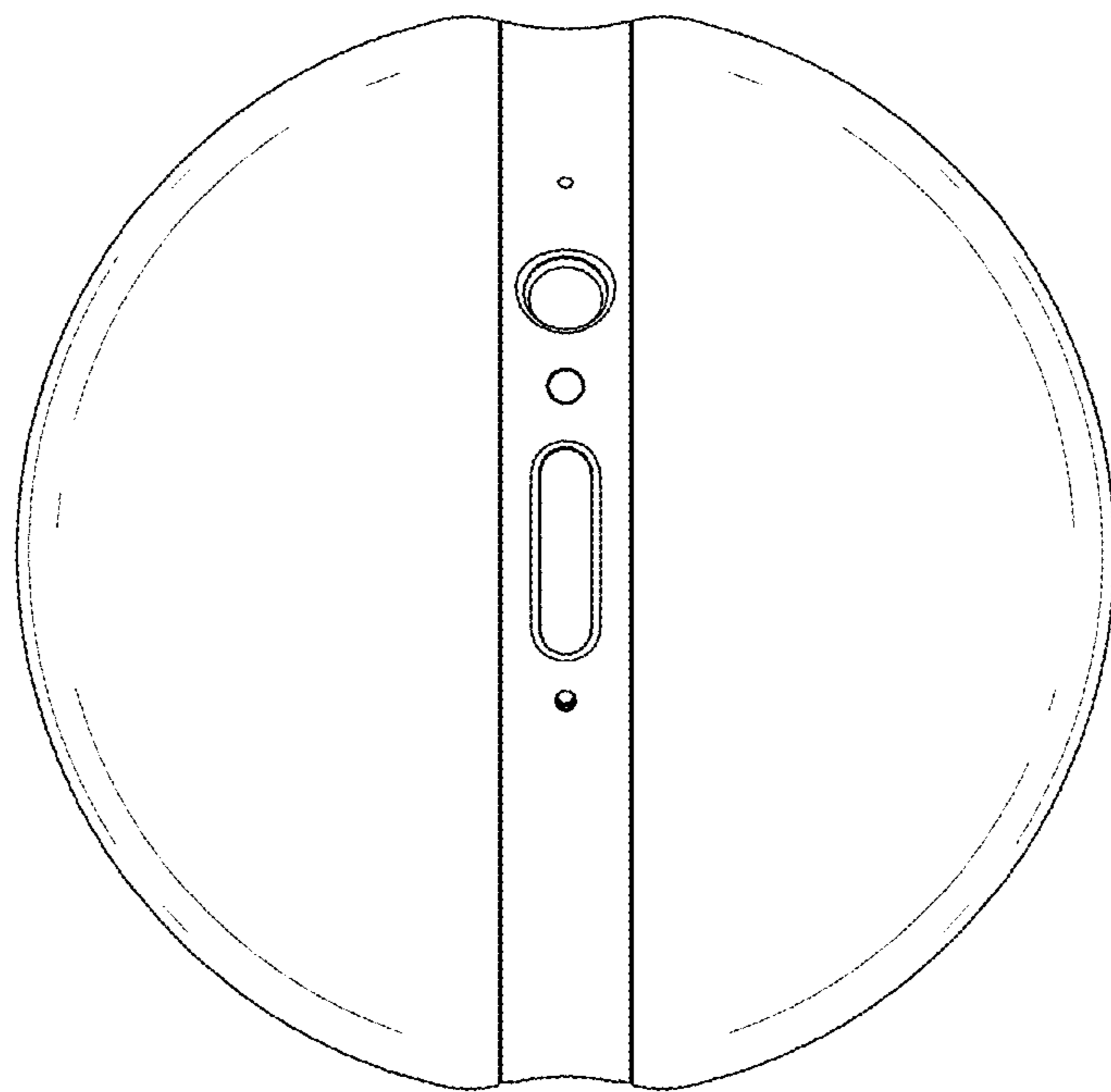


FIG. 3

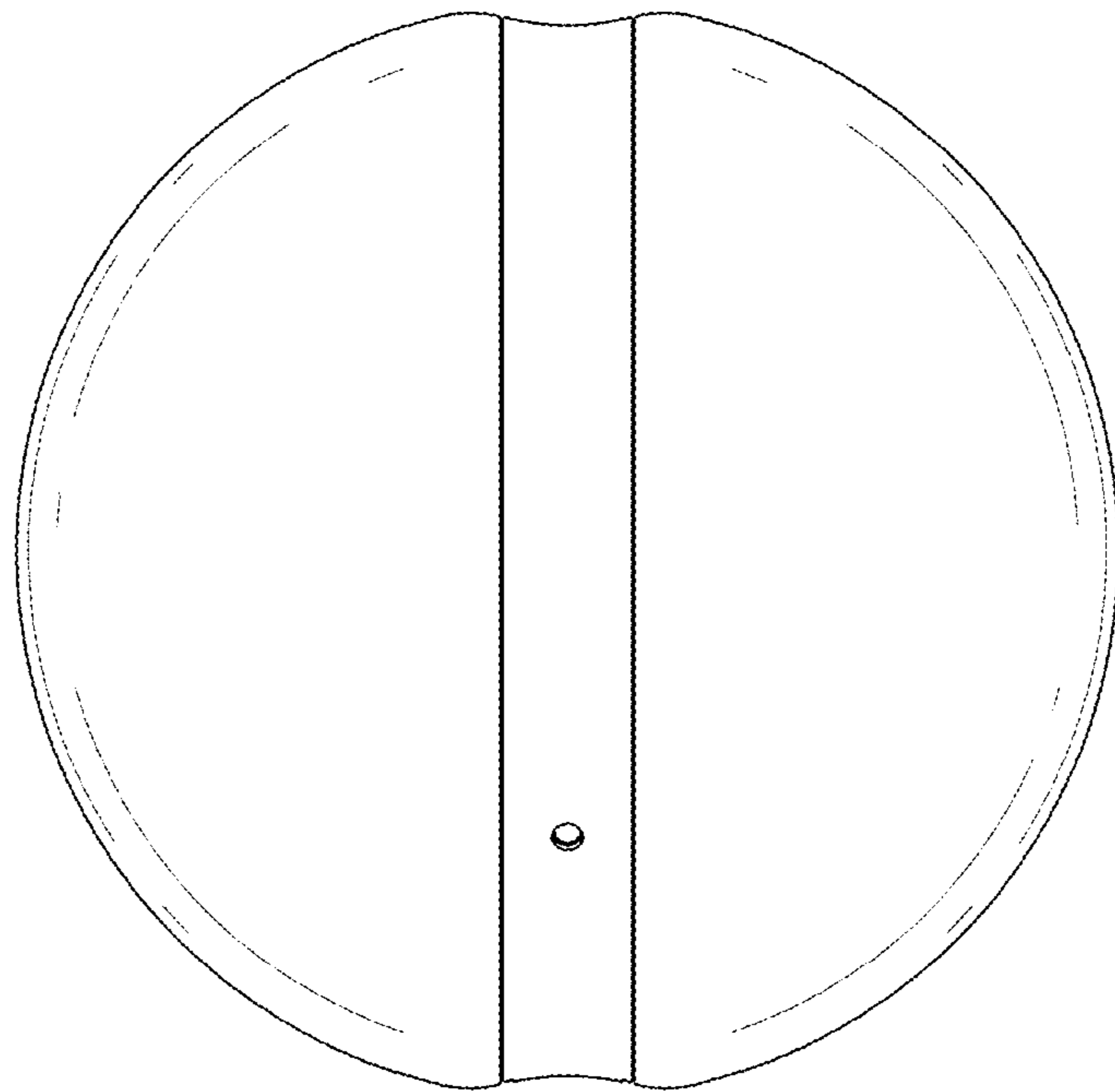


FIG. 4

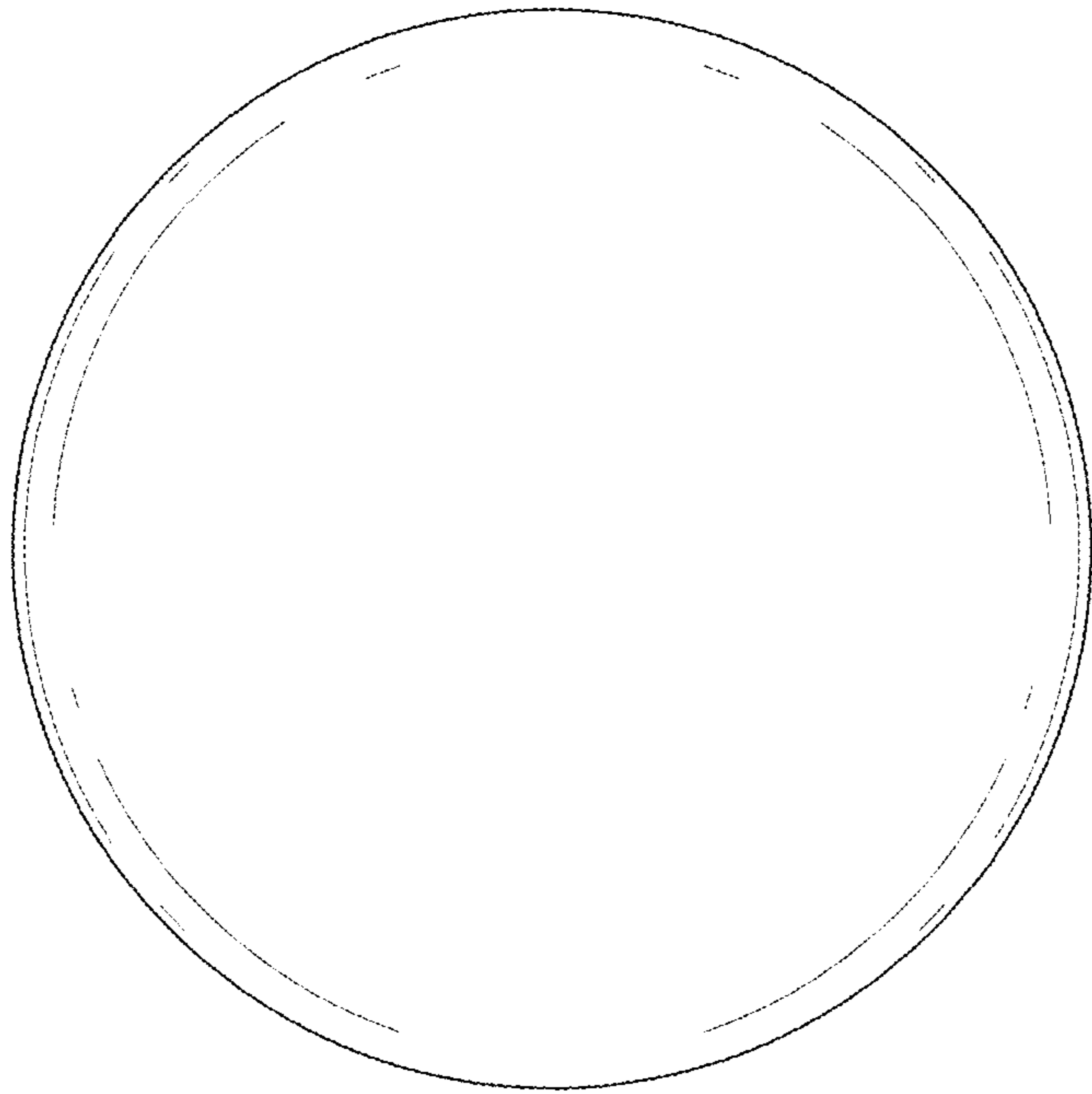


FIG. 5

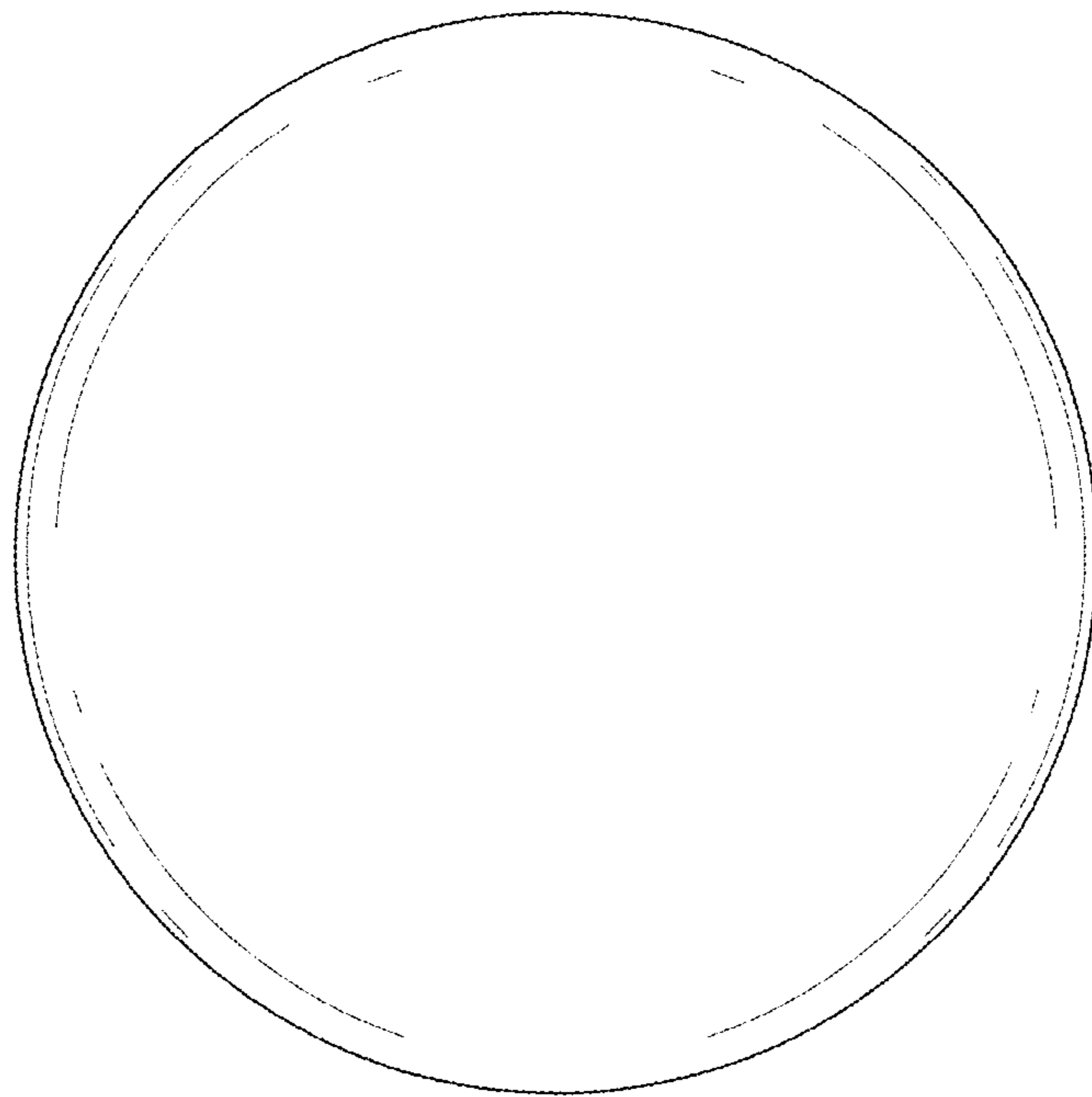


FIG. 6

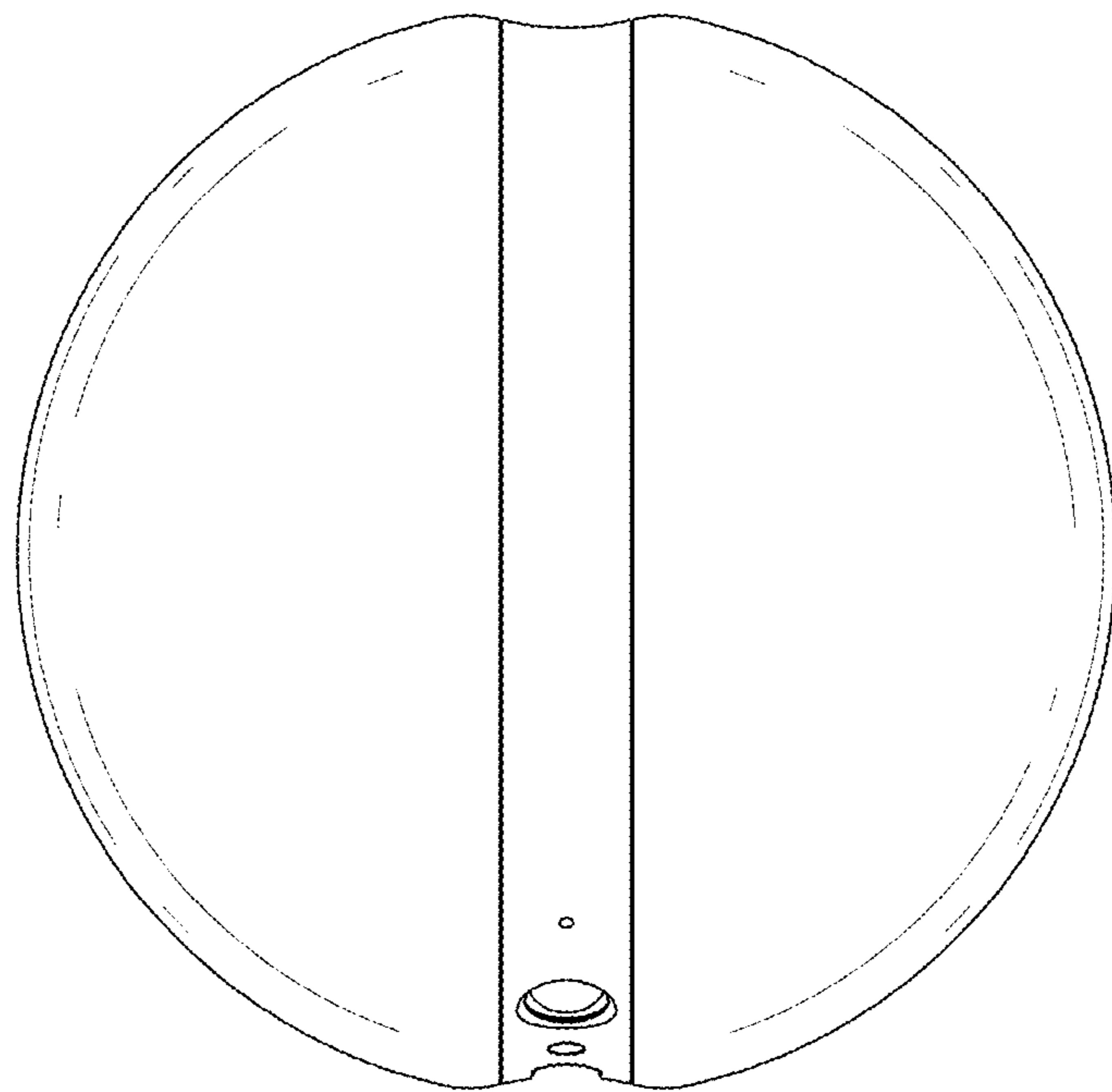


FIG. 7

