



US00D832325S

(12) **United States Design Patent**  
**Matsuto et al.**

(10) **Patent No.:** **US D832,325 S**

(45) **Date of Patent:** **\*\* Oct. 30, 2018**

(54) **ELECTRICALLY OPERATED ACTUATOR**

(71) Applicant: **NTN CORPORATION**, Osaka (JP)

(72) Inventors: **Takushi Matsuto**, Shizuoka (JP);  
**Yoshinori Ikeda**, Shizuoka (JP); **Yuuki Naitou**, Shizuoka (JP)

(73) Assignee: **NTN CORPORATION**, Osaka (JP)

(\*\*) Term: **15 Years**

(21) Appl. No.: **29/572,895**

(22) Filed: **Aug. 1, 2016**

(30) **Foreign Application Priority Data**

Feb. 1, 2016 (JP) ..... 2016-002042  
Feb. 1, 2016 (JP) ..... 2016-002043  
Feb. 1, 2016 (JP) ..... 2016-002044  
Feb. 1, 2016 (JP) ..... 2016-002045

(51) **LOC (11) Cl.** ..... **15-99**

(52) **U.S. Cl.**  
USPC ..... **D15/148**

(58) **Field of Classification Search**  
USPC ..... D13/101, 123, 164, 174; D15/5, 7,  
D15/122-124, 126-129, 131, 132,  
D15/138-140, 142, 143, 148, 149, 199;  
D18/57  
CPC ..... H02K 7/1166; F16H 25/20; F16H 57/039;  
F16H 2025/2034; F16H 2025/209  
See application file for complete search history.

(56) **References Cited**

**U.S. PATENT DOCUMENTS**

D278,793 S \* 5/1985 Smith ..... D15/5  
D280,726 S \* 9/1985 Ruter ..... D15/6  
D290,014 S \* 5/1987 Christiansen ..... D15/140

(Continued)

**FOREIGN PATENT DOCUMENTS**

WO WO-2007/095254 A1 \* 8/2007 ..... H02K 7/12

*Primary Examiner* — Melanie H Tung

*Assistant Examiner* — Fritzgerald L Butac

(74) *Attorney, Agent, or Firm* — Wenderoth, Lind & Ponack, L.L.P.

(57) **CLAIM**

I claim the ornamental design for an electrically operated actuator, as shown and described.

**DESCRIPTION**

FIG. 1 is a front view according to a first embodiment of the present design;

FIG. 2 is a back view of the first embodiment;

FIG. 3 is a plan view of the first embodiment;

FIG. 4 is a bottom view of the first embodiment;

FIG. 5 is a right side view of the first embodiment;

FIG. 6 is a left side view of the first embodiment;

FIG. 7 is a reference perspective view as viewed from the front direction according to the first embodiment;

FIG. 8 is a perspective view from the back of the first embodiment, in a retracted position;

FIG. 9 is a perspective view from the back of the first embodiment, in a protracted position;

FIG. 10 is a front view of the second embodiment of the present design;

FIG. 11 is a back view of the second embodiment;

FIG. 12 is a plan view of the second embodiment;

FIG. 13 is a bottom view of the second embodiment;

FIG. 14 is a right side view of the second embodiment;

FIG. 15 is a left side view of the second embodiment;

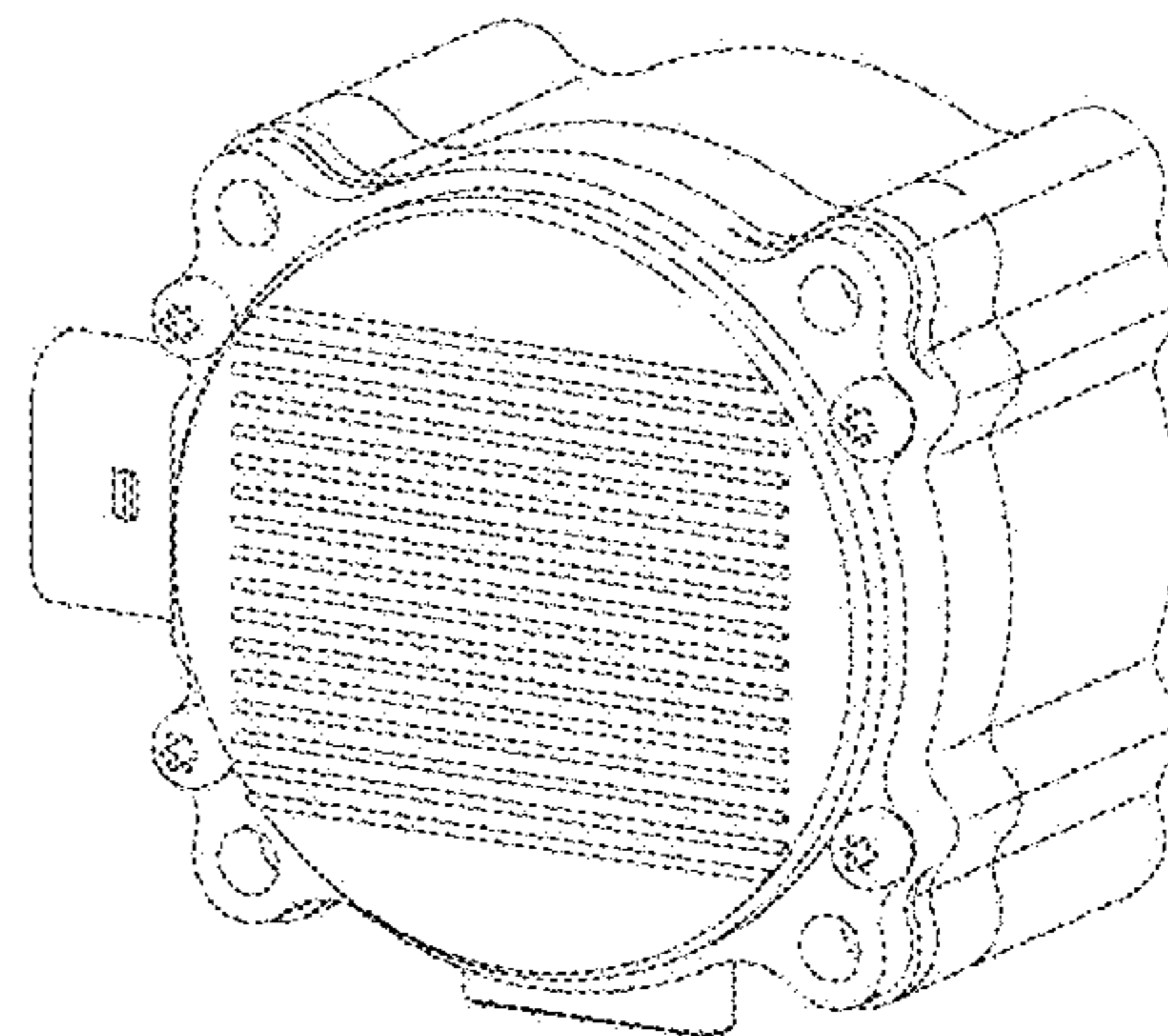
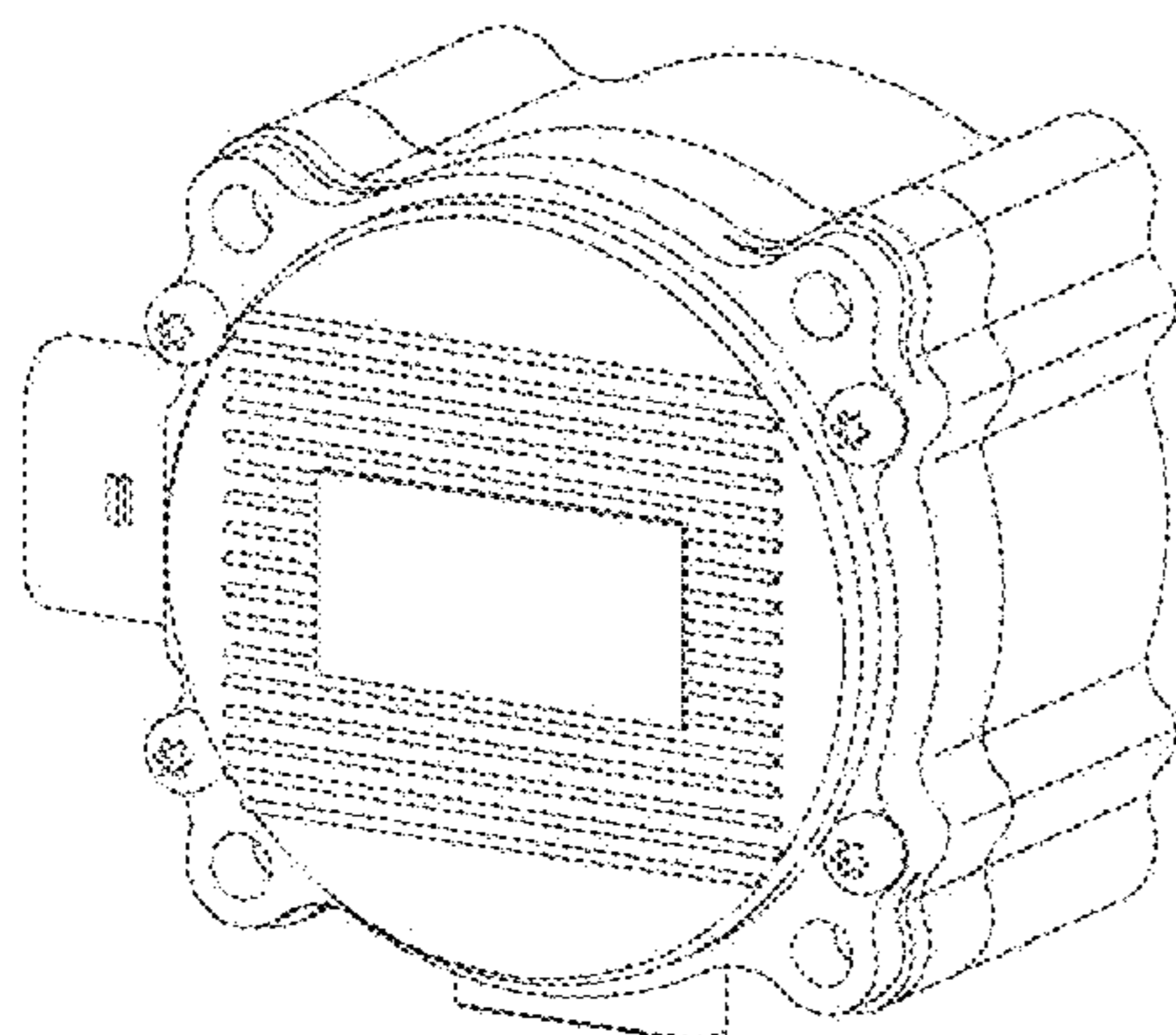
FIG. 16 is a reference perspective view as viewed from the front direction according to the second embodiment;

FIG. 17 is a perspective view from the back of the second embodiment, in a retracted position; and,

FIG. 18 is a perspective view from the back of the second embodiment, in a protracted position.

The broken lines show portions of an electrically operated actuator that form no part of the claimed design.

**1 Claim, 18 Drawing Sheets**



(56)

**References Cited**

U.S. PATENT DOCUMENTS

D302,928	S *	8/1989	Kurtovic .....	D8/33
D306,866	S *	3/1990	Phillips, Sr. ....	D15/139
D327,077	S *	6/1992	Bailey .....	D15/138
D629,821	S *	12/2010	Jump .....	D15/143
D638,454	S *	5/2011	Torii .....	D15/143
D639,321	S *	6/2011	Torii .....	D15/143
D673,196	S *	12/2012	von Hafen .....	D15/148
D673,197	S *	12/2012	von Hafen .....	D15/148
D741,915	S *	10/2015	Fisher .....	D15/5
D749,135	S *	2/2016	Fisher .....	D15/5
D789,432	S *	6/2017	Tokuda .....	D15/148
D790,467	S *	6/2017	Marth .....	D13/112
D790,616	S *	6/2017	Tokuda .....	D15/148
D790,617	S *	6/2017	Tokuda .....	D15/148
D792,916	S *	7/2017	Kobayashi .....	D15/148
9,777,797	B2 *	10/2017	Okada .....	F16H 1/145
2016/0153527	A1 *	6/2016	Okada .....	F16H 1/145
				74/412 R

\* cited by examiner

FIG. 1

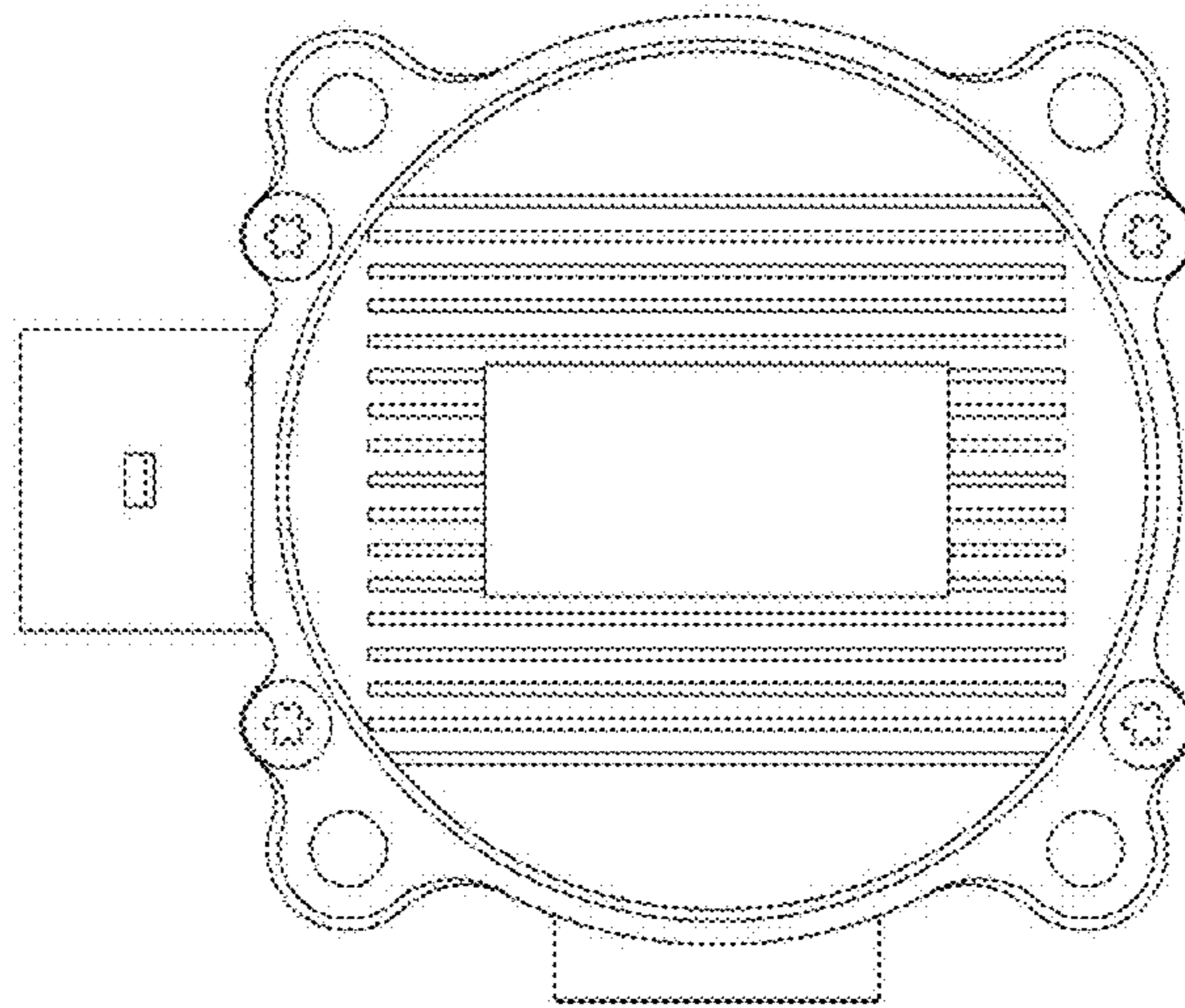


FIG. 2

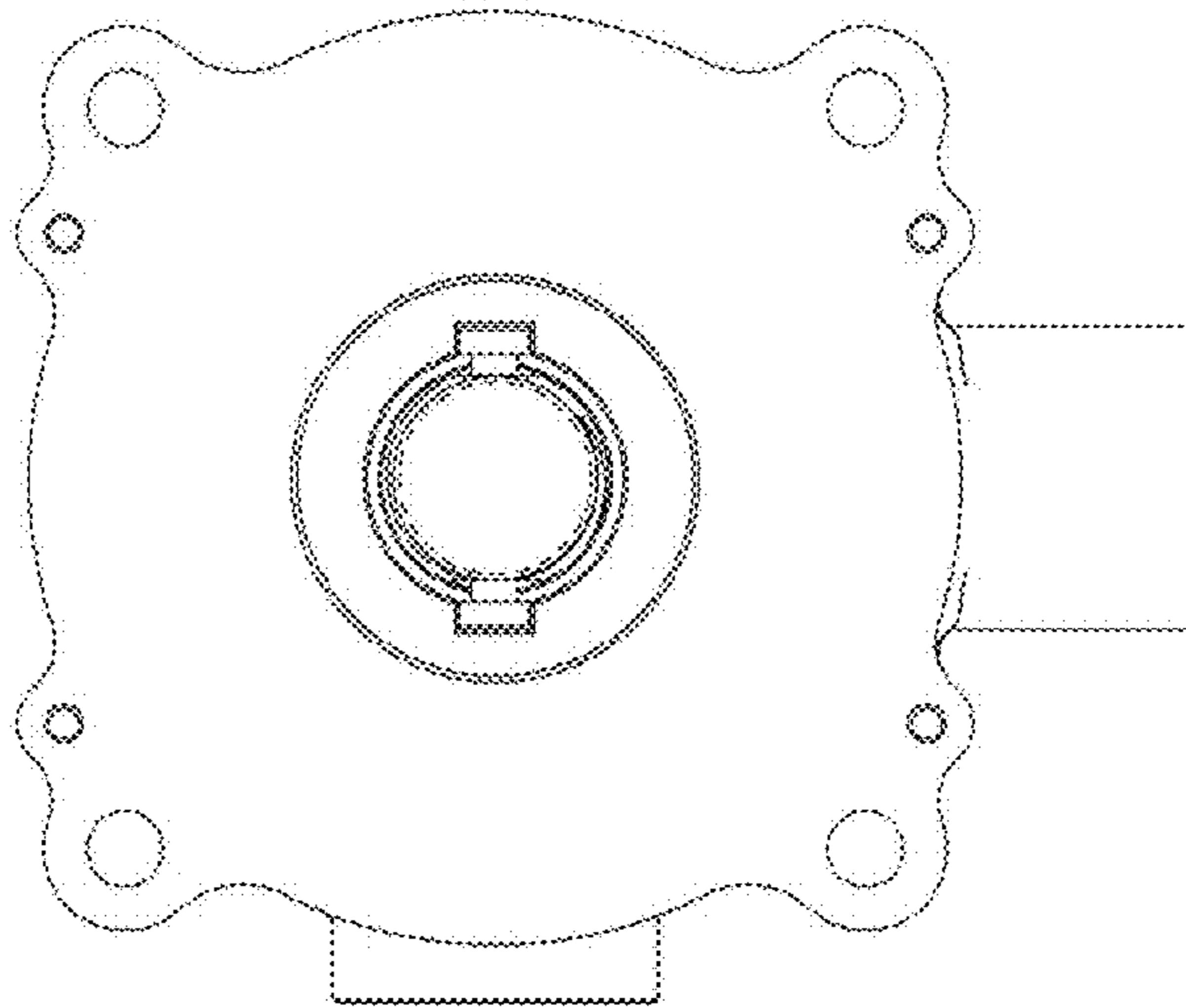


FIG. 3

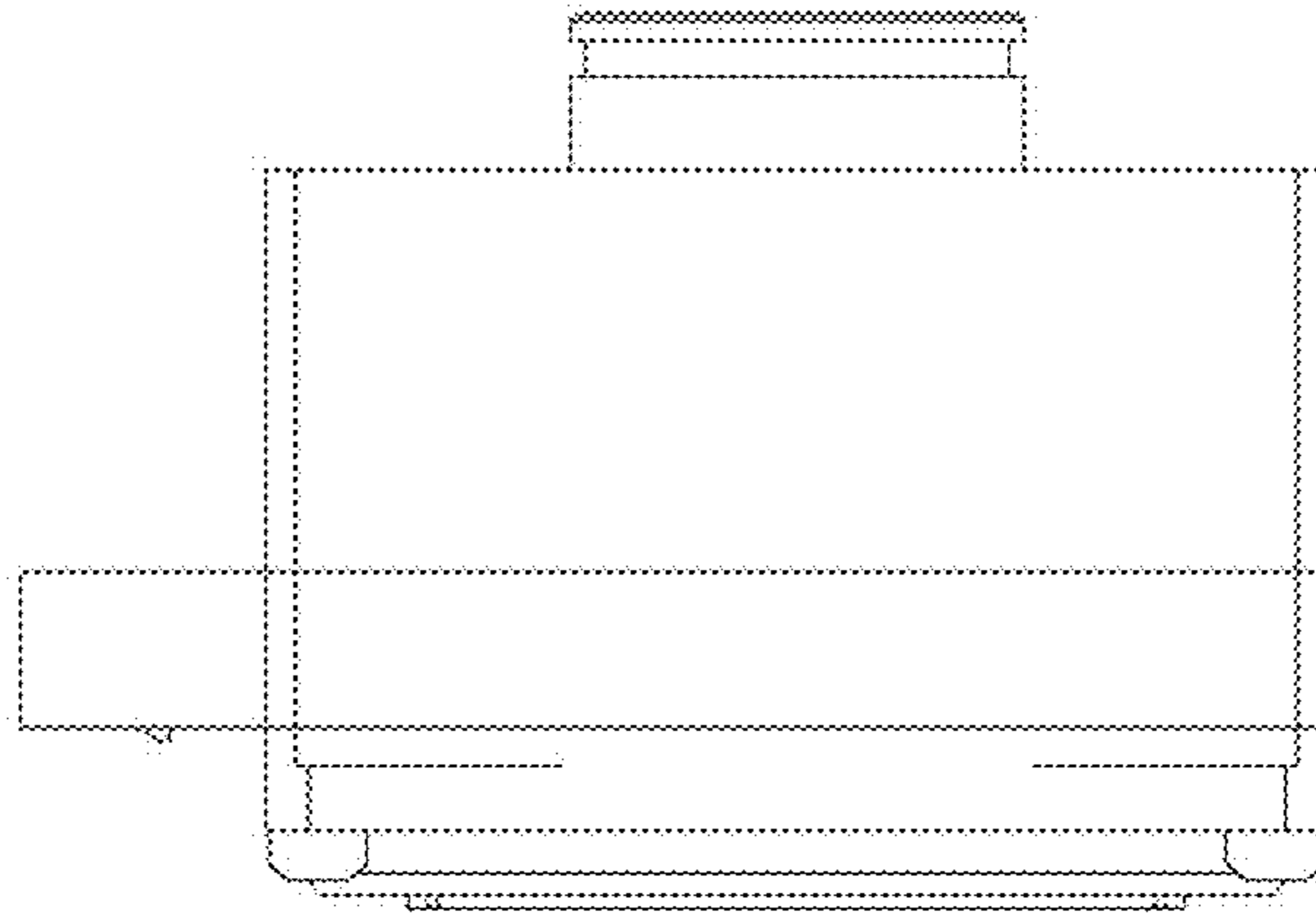


FIG. 4

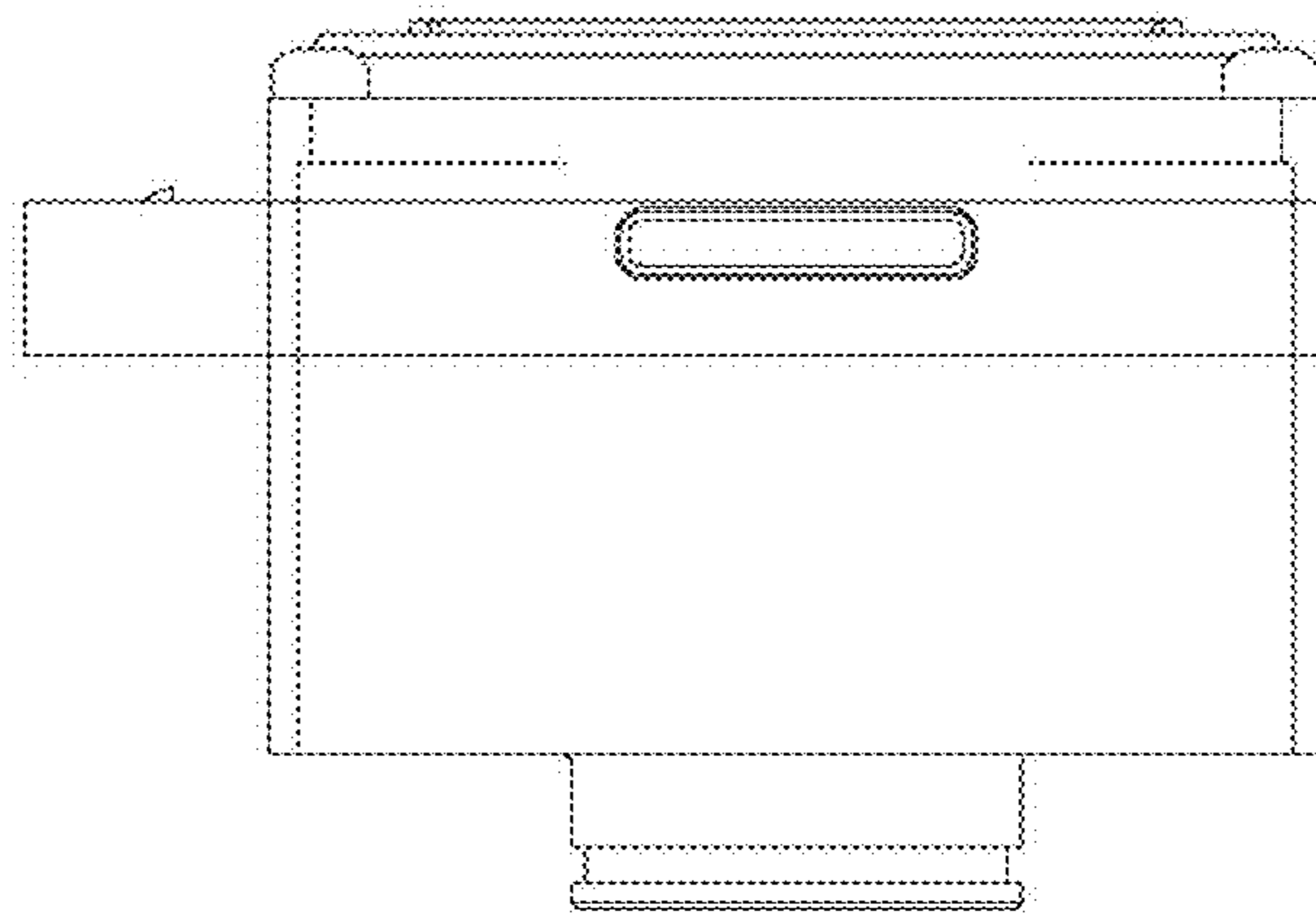




FIG. 5

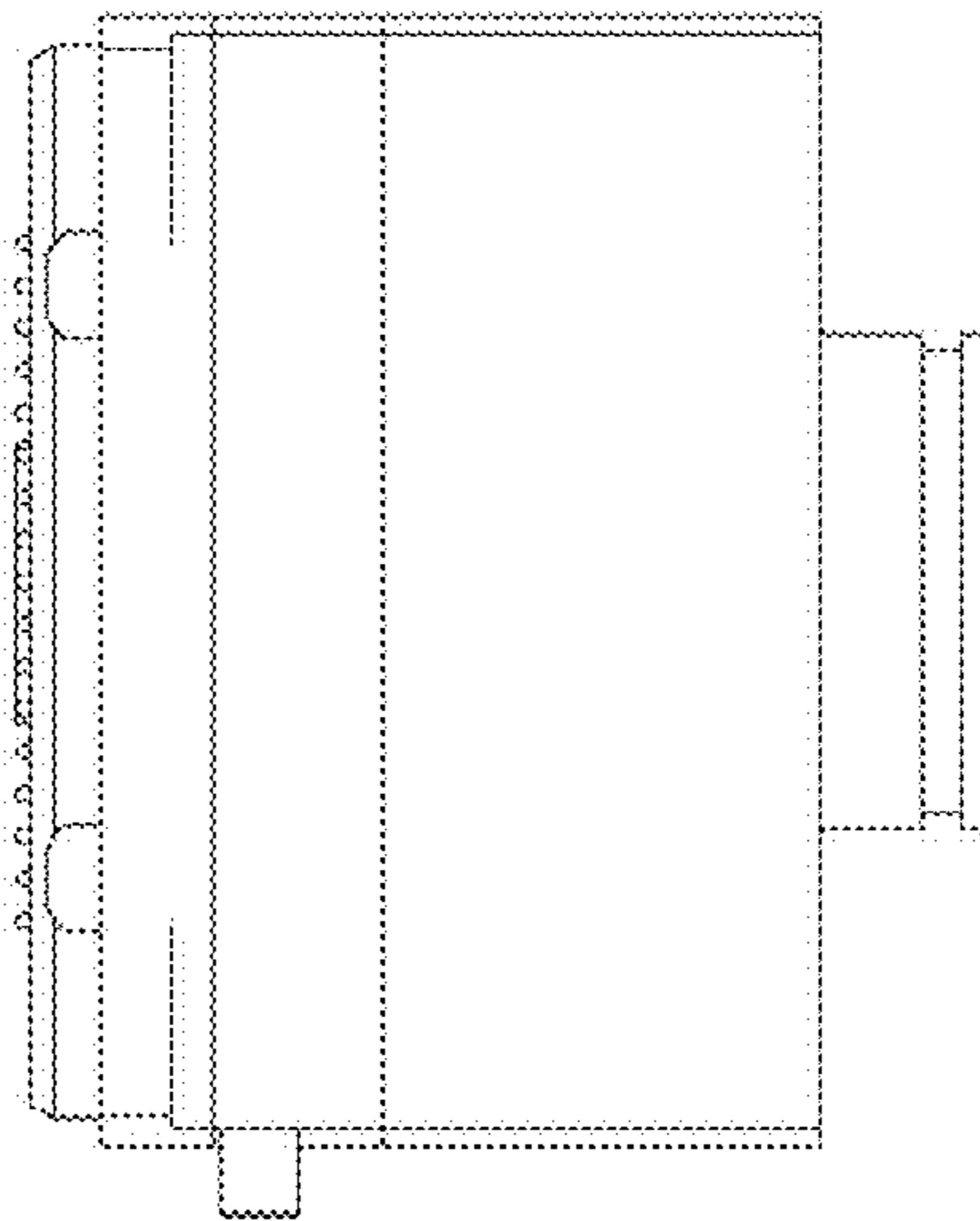


FIG. 6

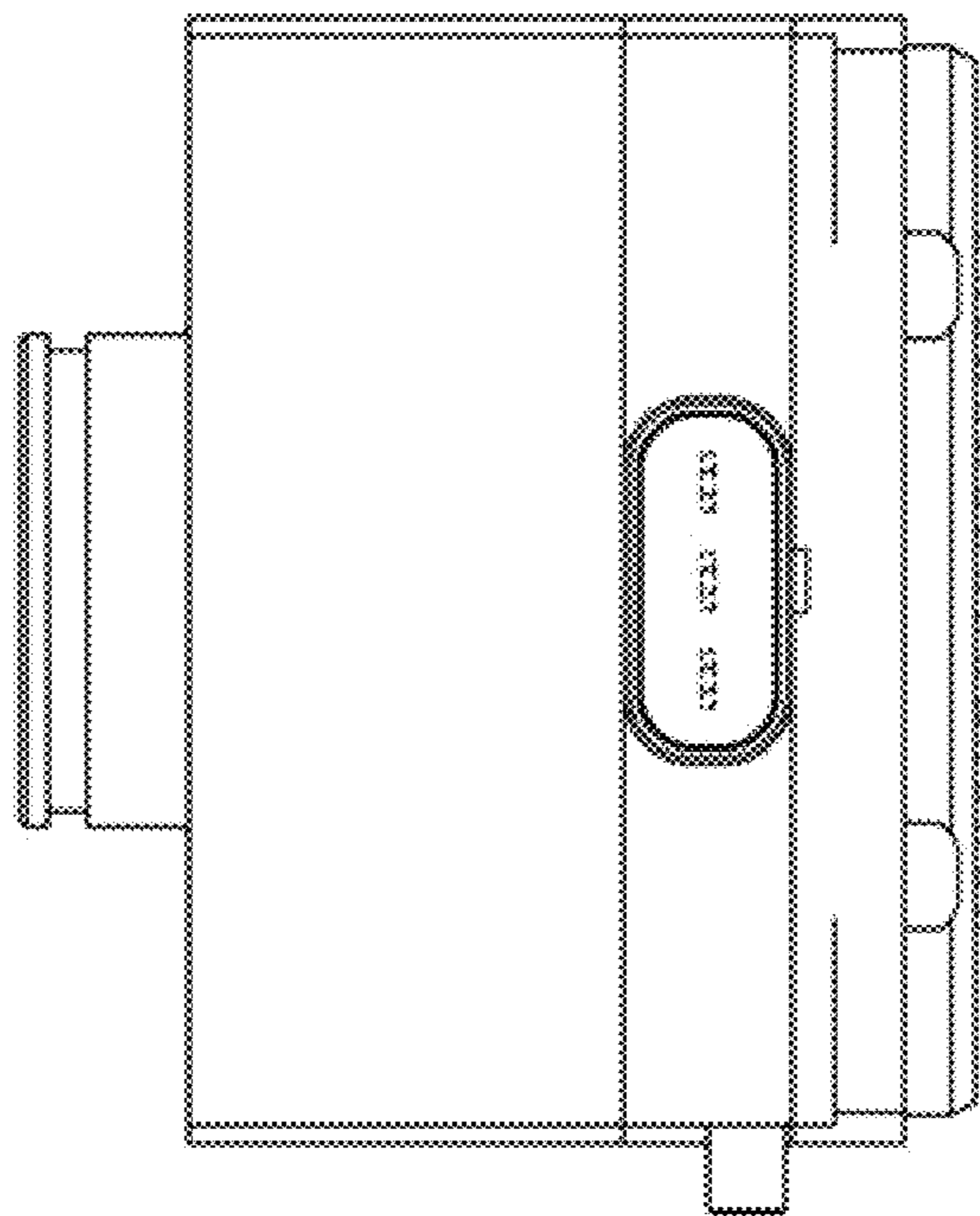




FIG. 7

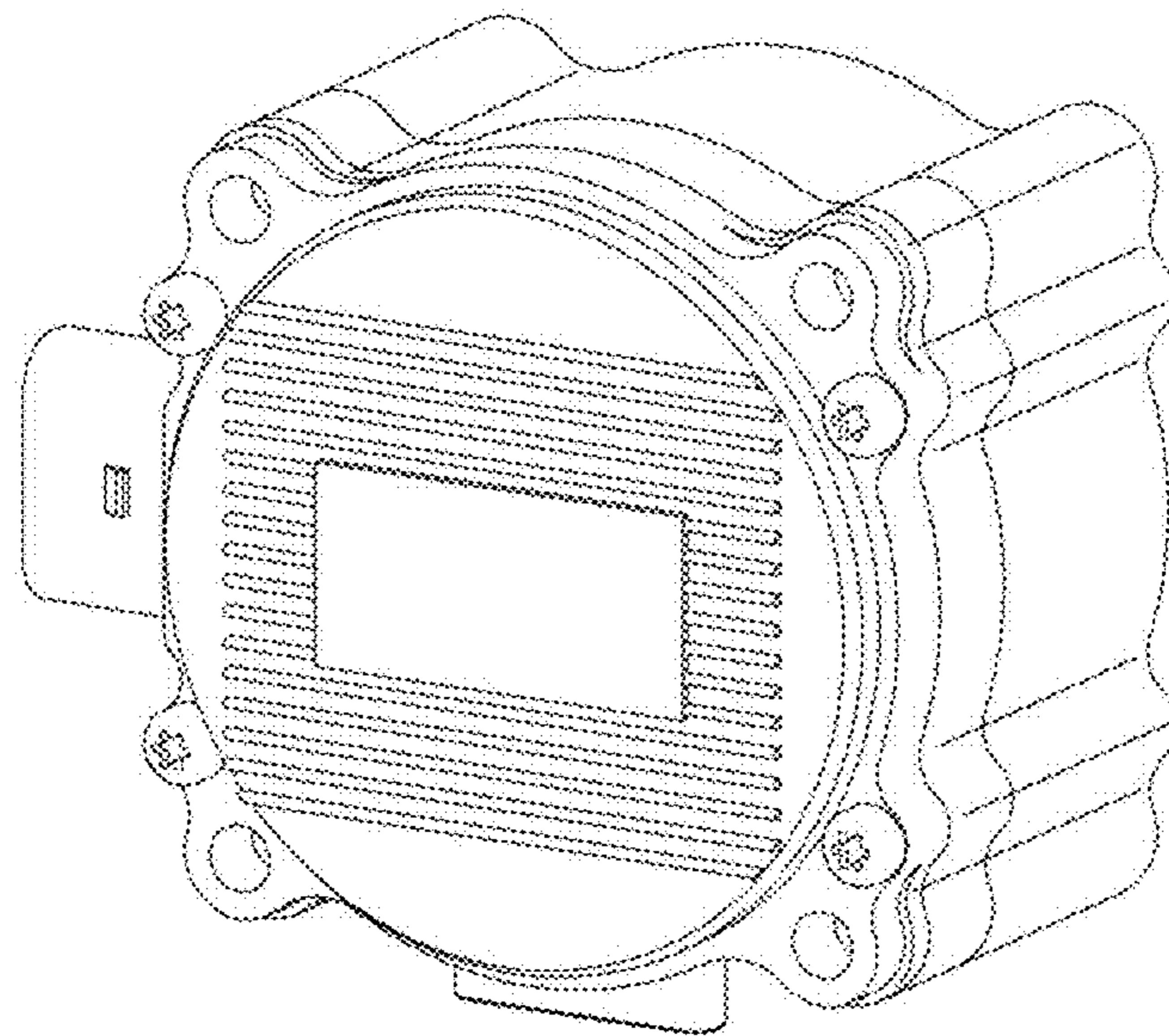


FIG. 8

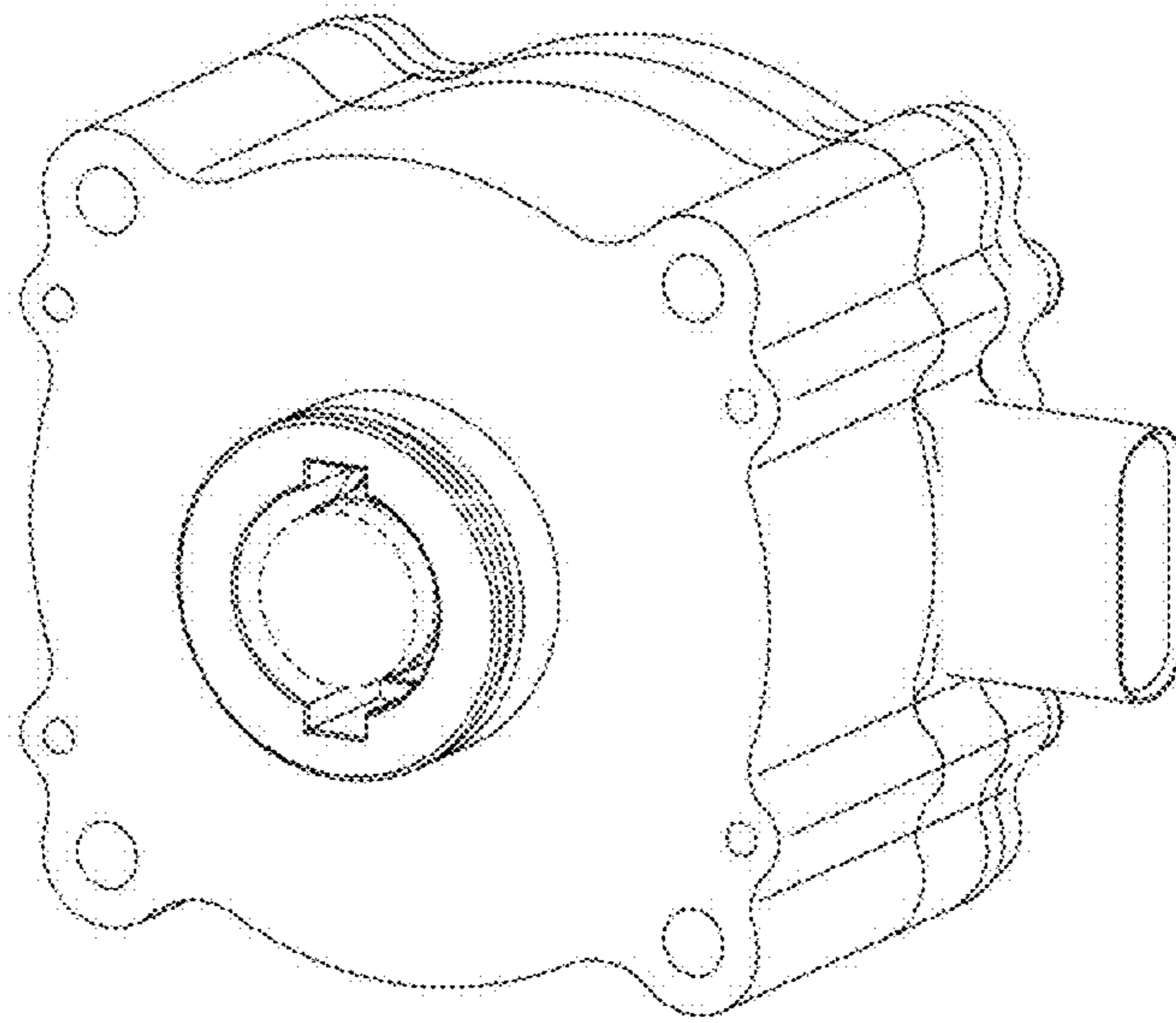


FIG. 9

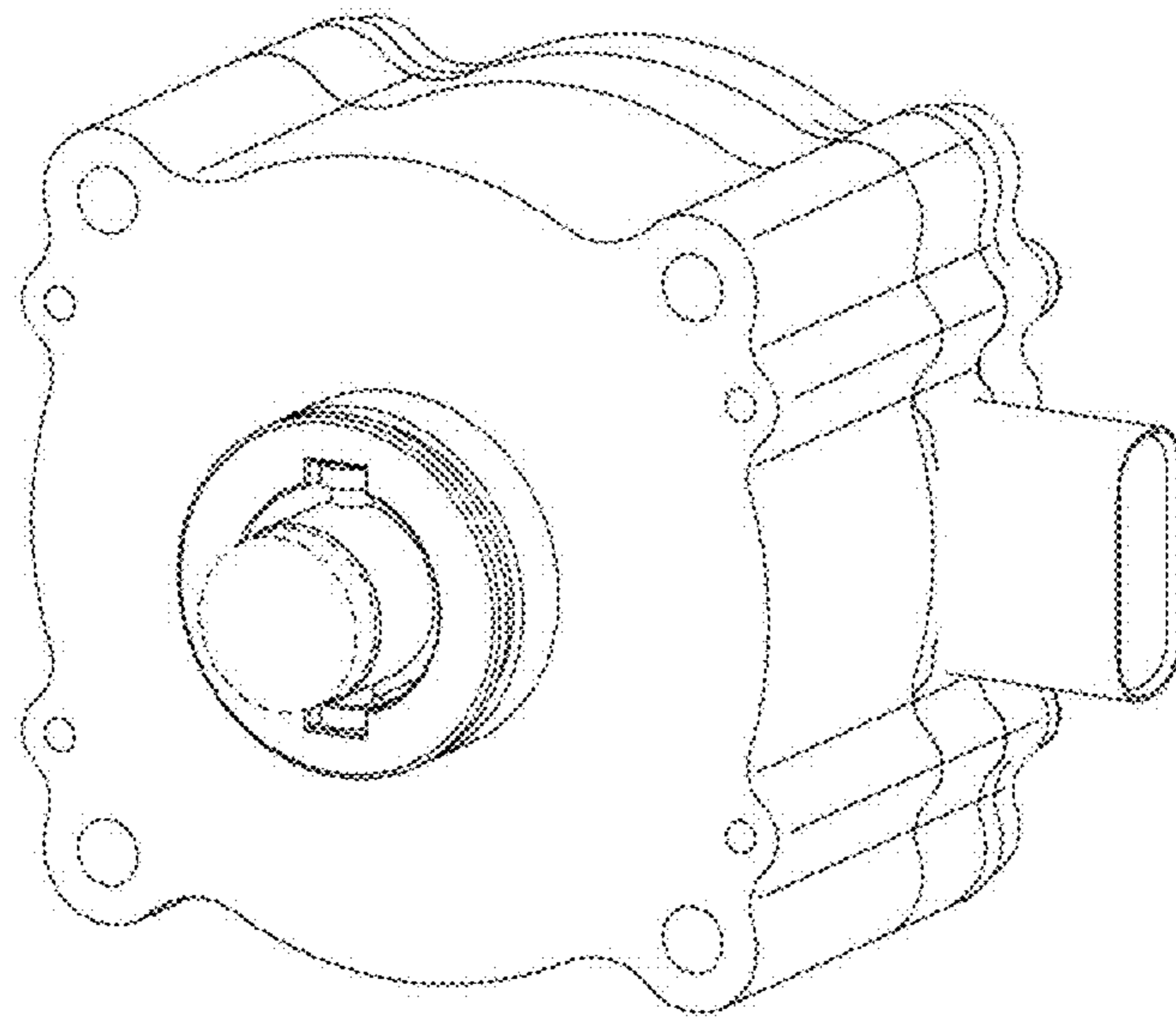


FIG. 10

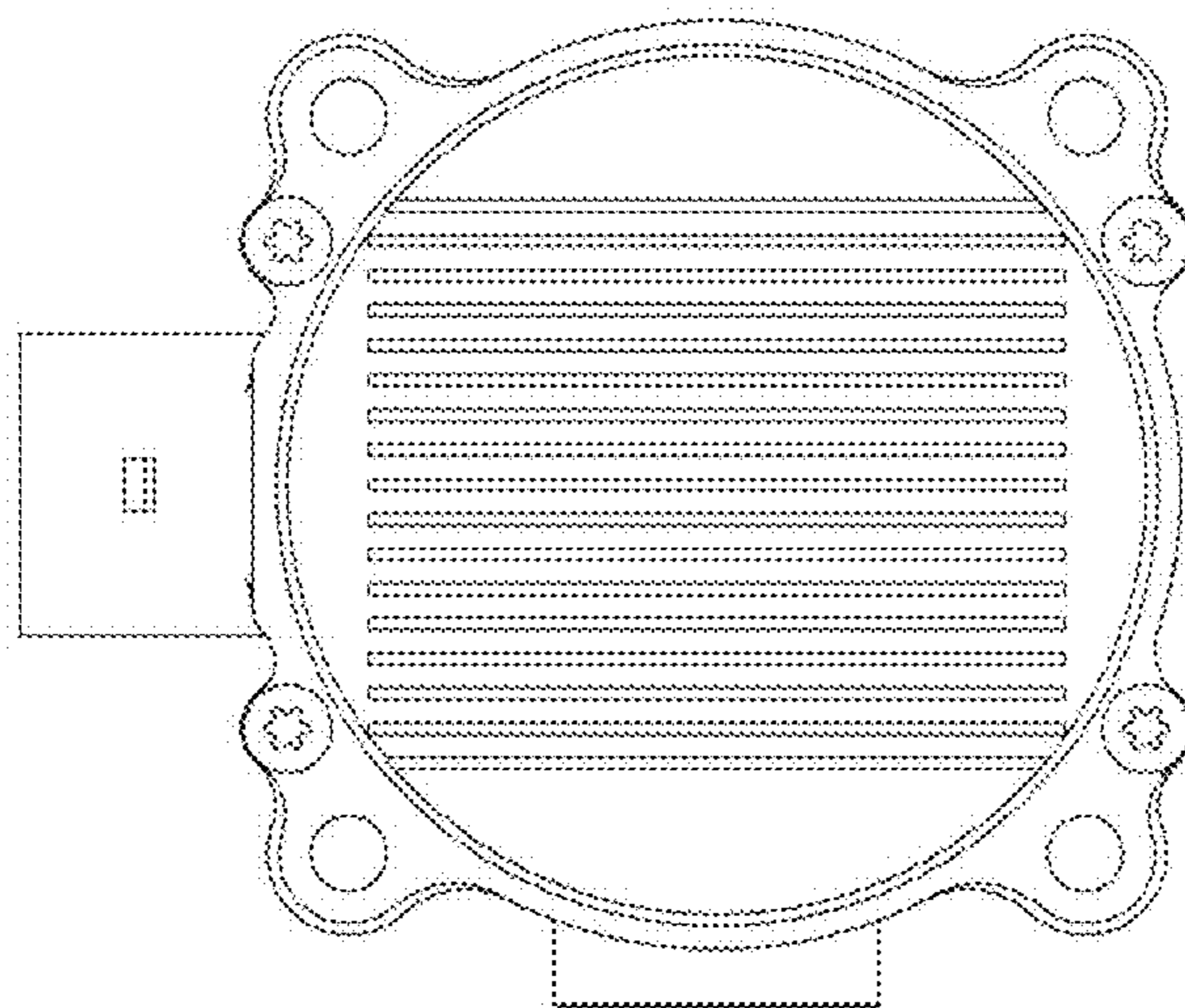


FIG. 11

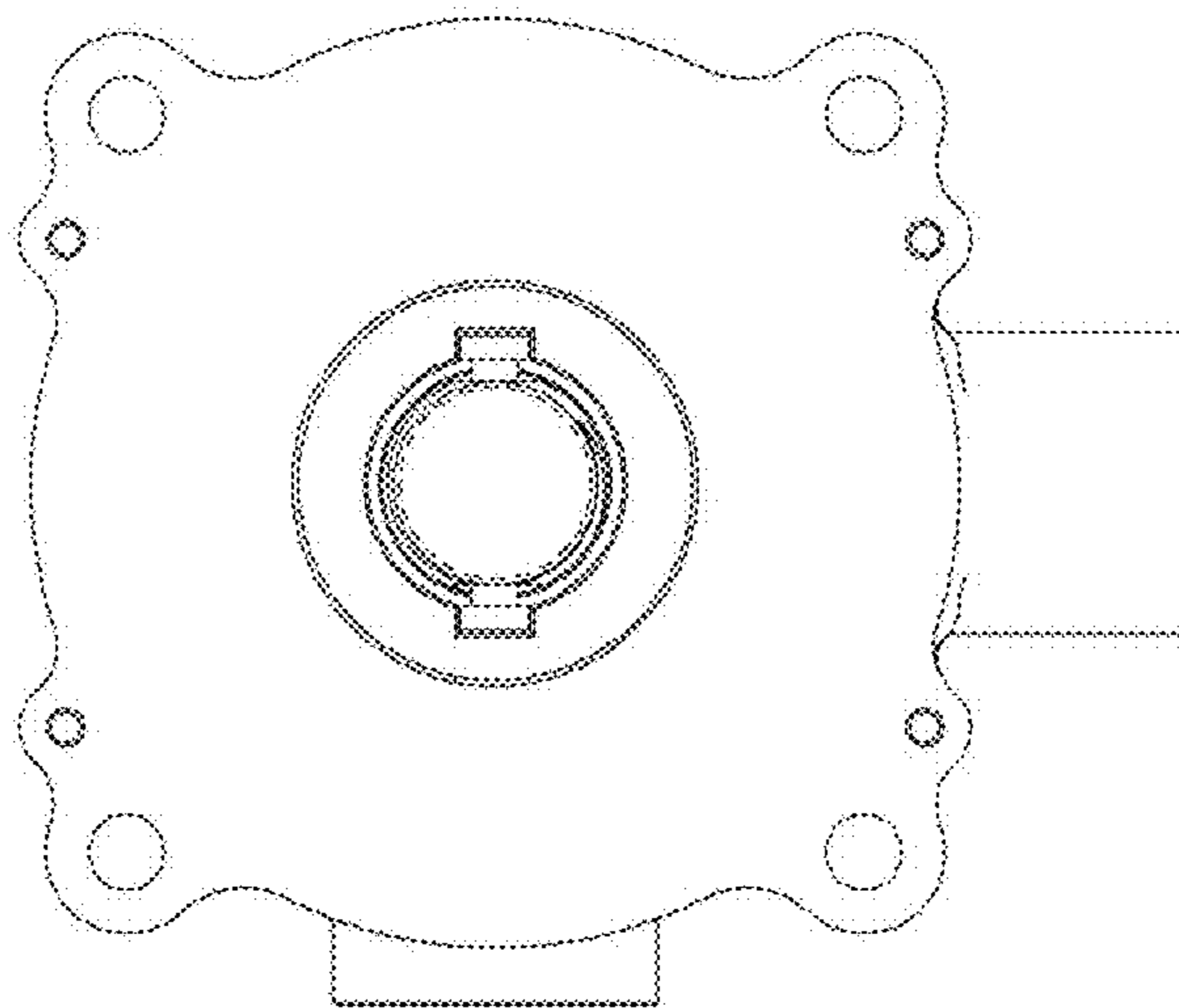


FIG. 12

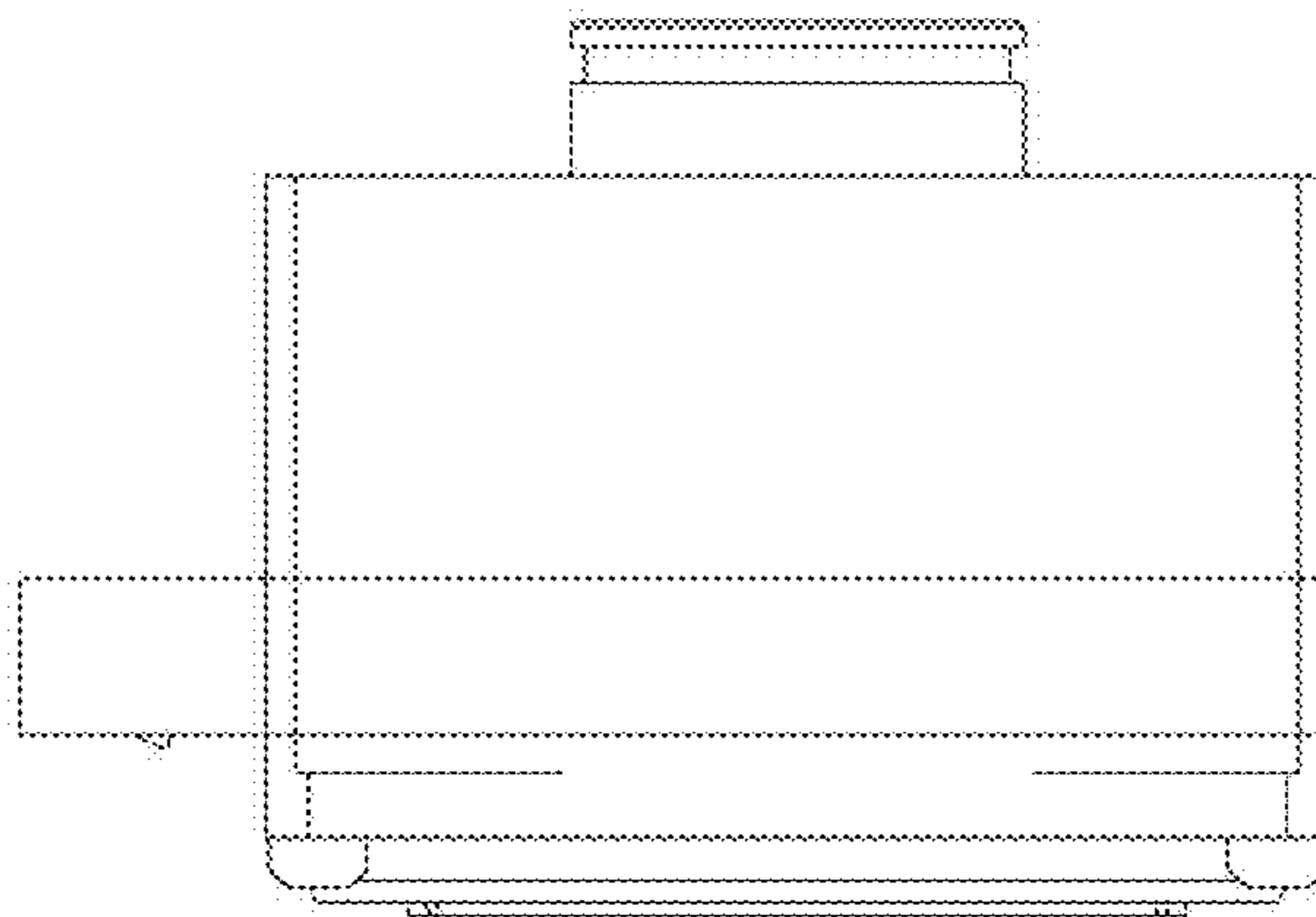


FIG. 13

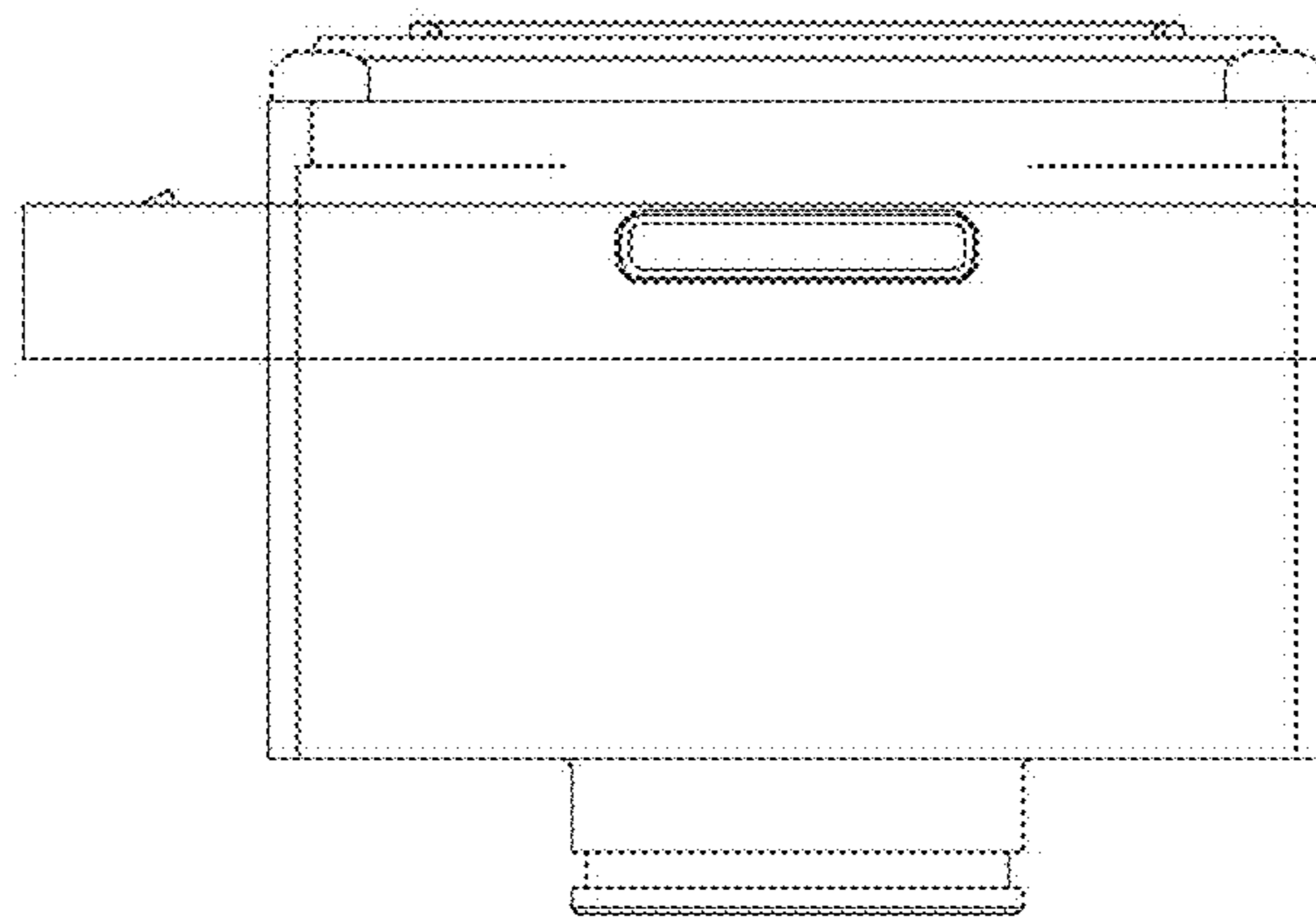




FIG. 14

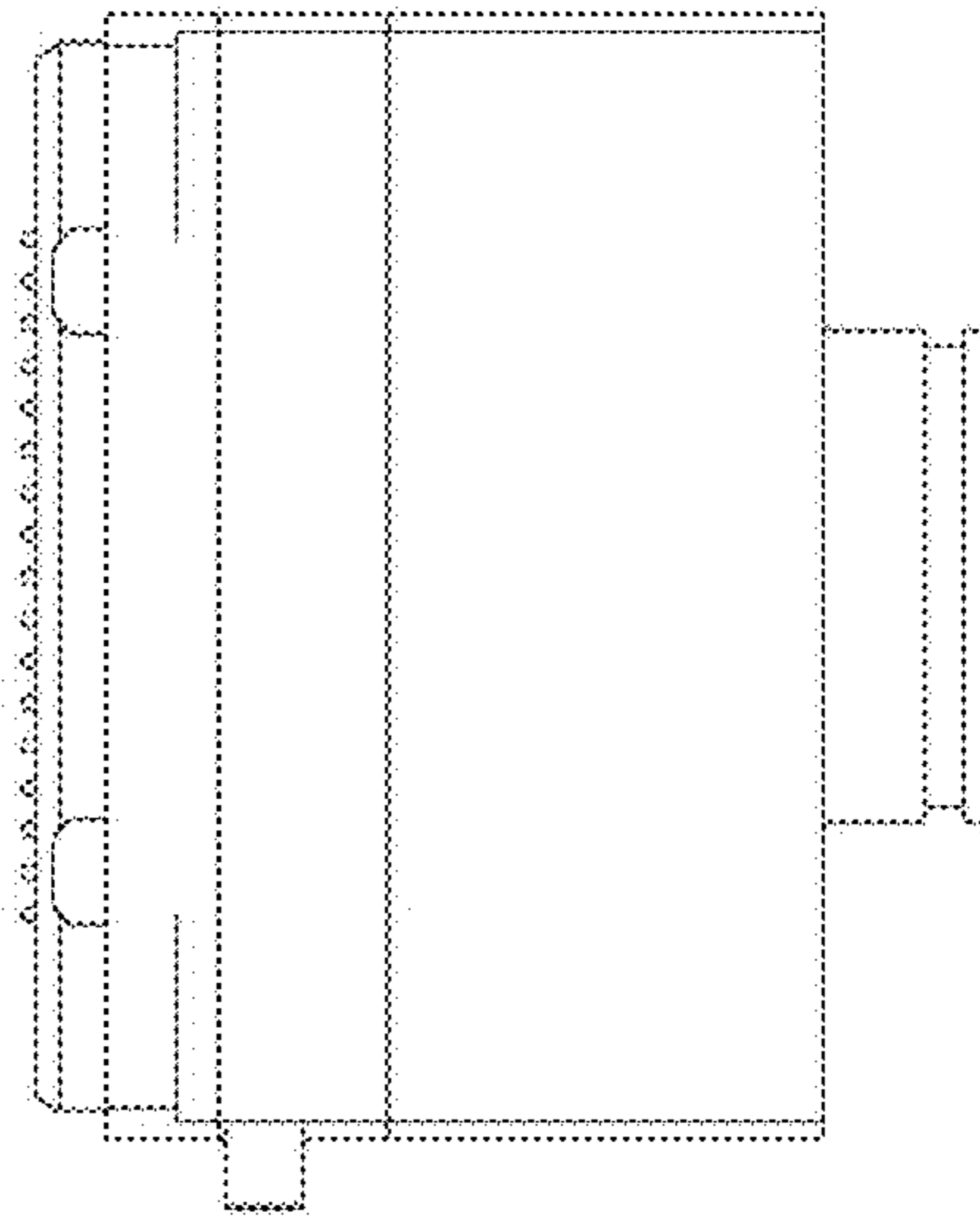


FIG. 15

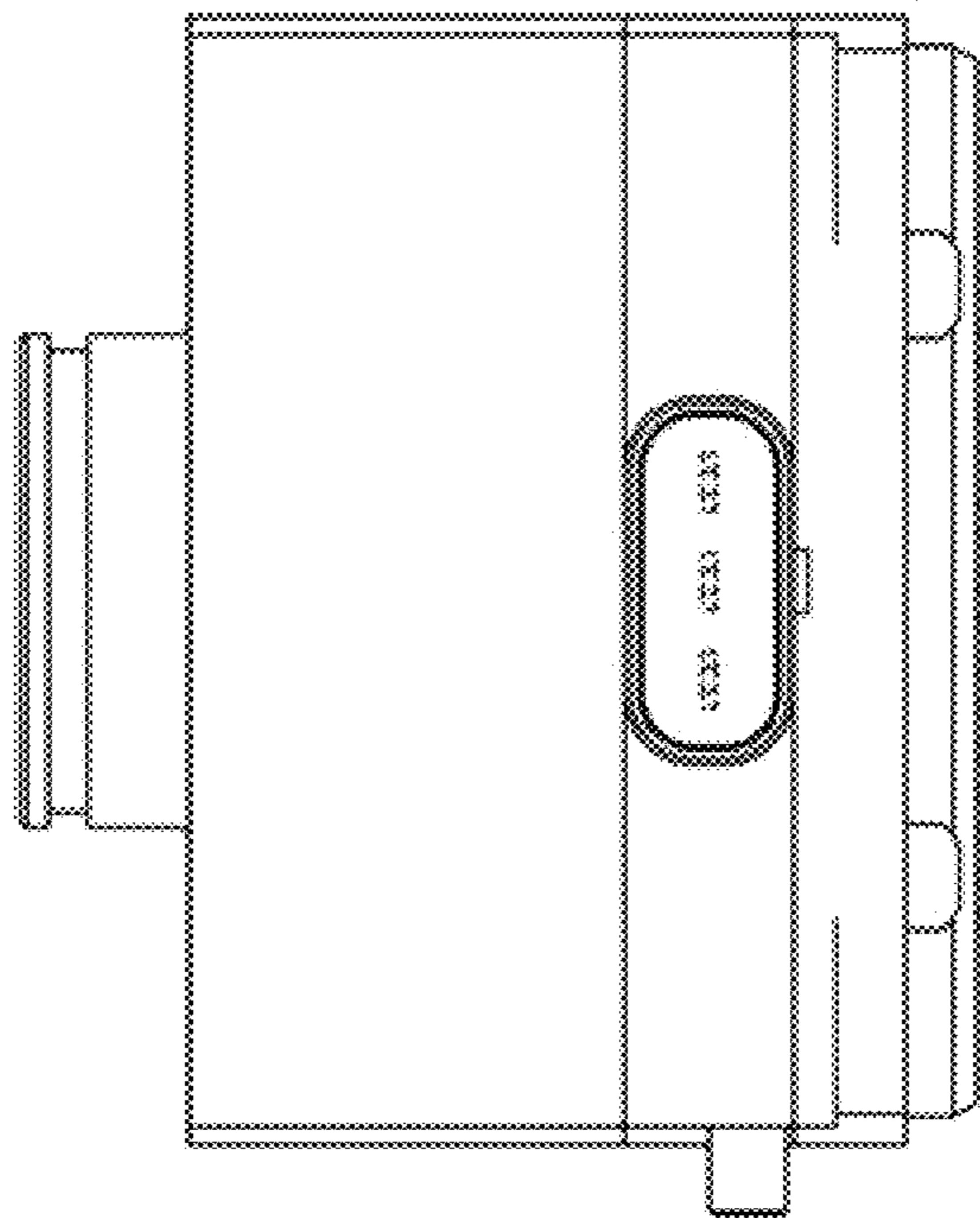


FIG. 16

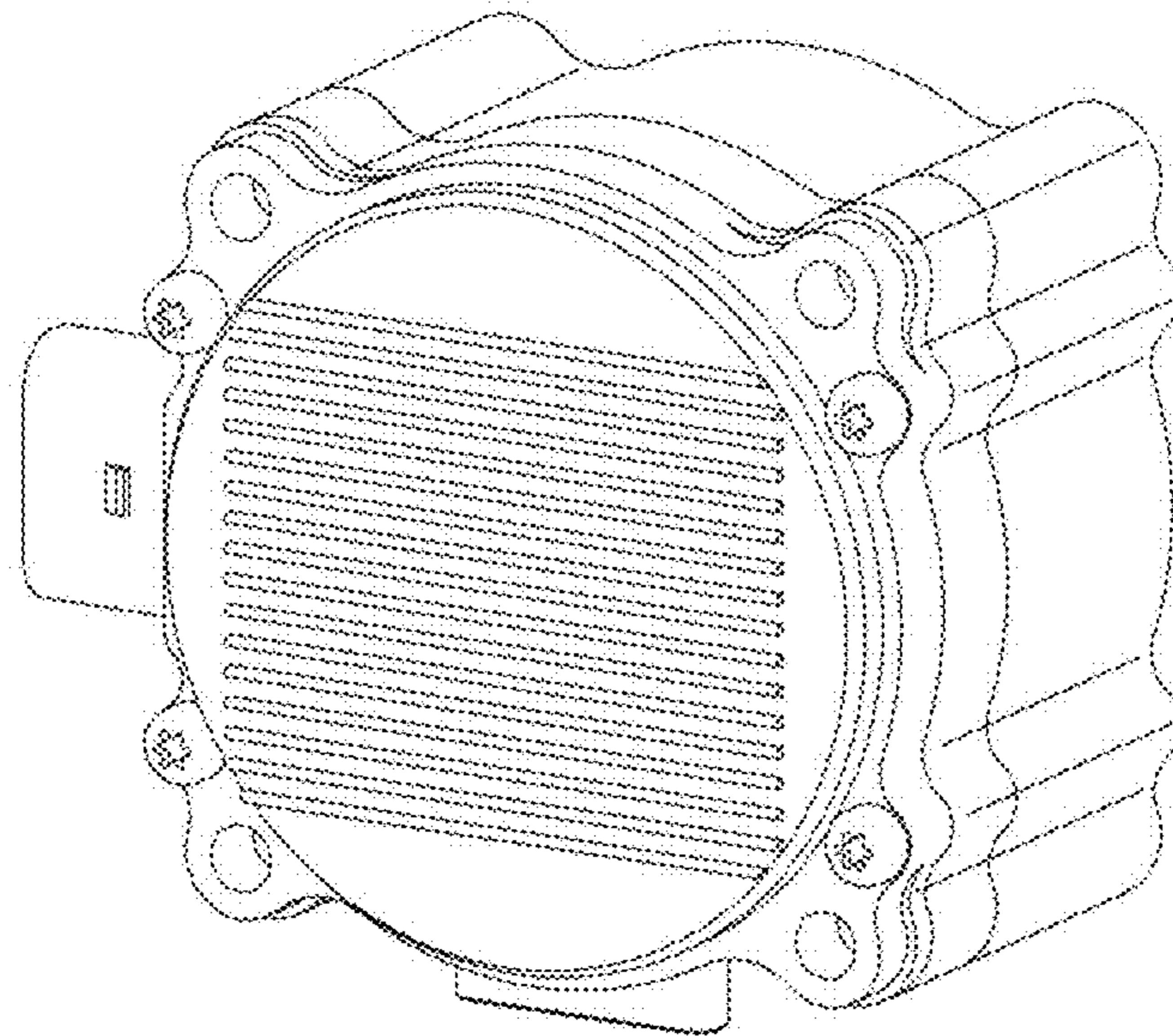


FIG. 17

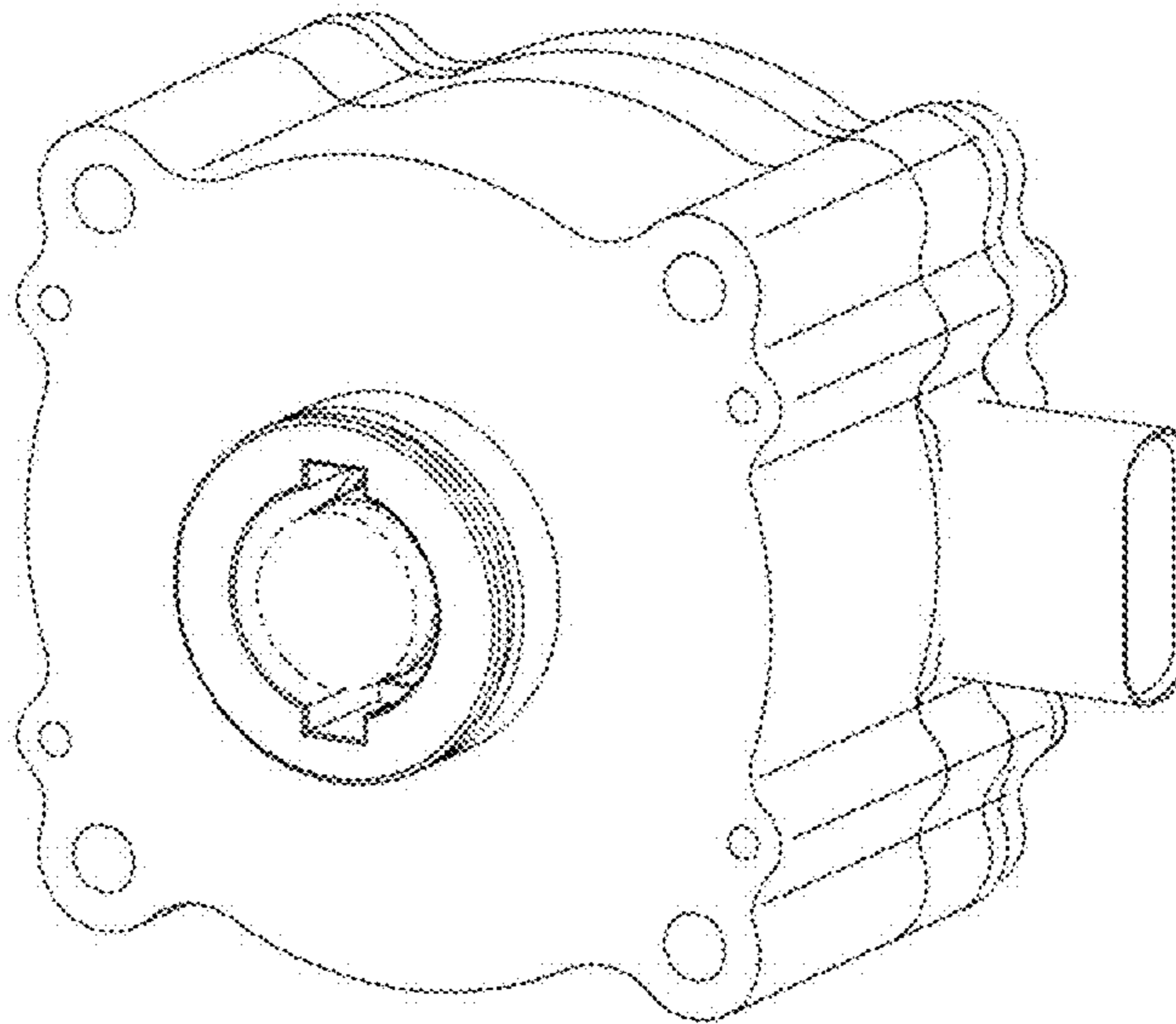


FIG. 18

