



US00D832322S

(12) **United States Design Patent**
Gou

(10) **Patent No.:** **US D832,322 S**
(45) **Date of Patent:** **** Oct. 30, 2018**

- (54) **SOLDERING IRON HOLDER**
- (71) Applicant: **Guangzhou Yihua Electronic Equipment Co., Ltd.**, Guangzhou, Guangdong (CN)
- (72) Inventor: **Mingkang Gou**, Guangdong (CN)
- (73) Assignee: **GUANGZHOU YIHUA ELECTRONIC EQUIPMENT CO., LTD.**, Guangzhou, Guangdong (CN)
- (**) Term: **15 Years**
- (21) Appl. No.: **29/627,359**
- (22) Filed: **Nov. 27, 2017**
- (51) **LOC (11) Cl.** **15-09**
- (52) **U.S. Cl.**
USPC **D15/144**
- (58) **Field of Classification Search**
USPC D8/30, 107, 303; D15/144, 144.1, 144.2
CPC B23K 3/027
See application file for complete search history.

3,705,680	A *	12/1972	Siegel	B23K 3/027	15/114
D294,362	S *	2/1988	Sinclair	D15/144	
5,472,133	A *	12/1995	Lin	B23K 3/027	219/242
D533,042	S *	12/2006	Loch	D8/71	
D536,718	S *	2/2007	Murray	D15/144.2	
D542,110	S *	5/2007	Mochizuki	D15/144	
D594,046	S *	6/2009	Kita	D15/144	
2004/0232289	A1 *	11/2004	Aguirre	B23K 3/027	248/117.2
2008/0067164	A1 *	3/2008	Kuo	B23K 3/027	219/242
2010/0108827	A1 *	5/2010	Teraoka	B23K 3/027	248/117.3
2017/0127532	A1 *	5/2017	Pinto, IV	B23K 1/19	
2017/0165771	A1 *	6/2017	Teraoka	B23K 3/027	
2018/0111212	A1 *	4/2018	Lu	B23K 3/00	

* cited by examiner

Primary Examiner — Patricia A Palasik
(74) *Attorney, Agent, or Firm* — Lucas & Mercanti LLP

(57) **CLAIM**

The ornamental design for a soldering iron holder, as shown and described.

DESCRIPTION

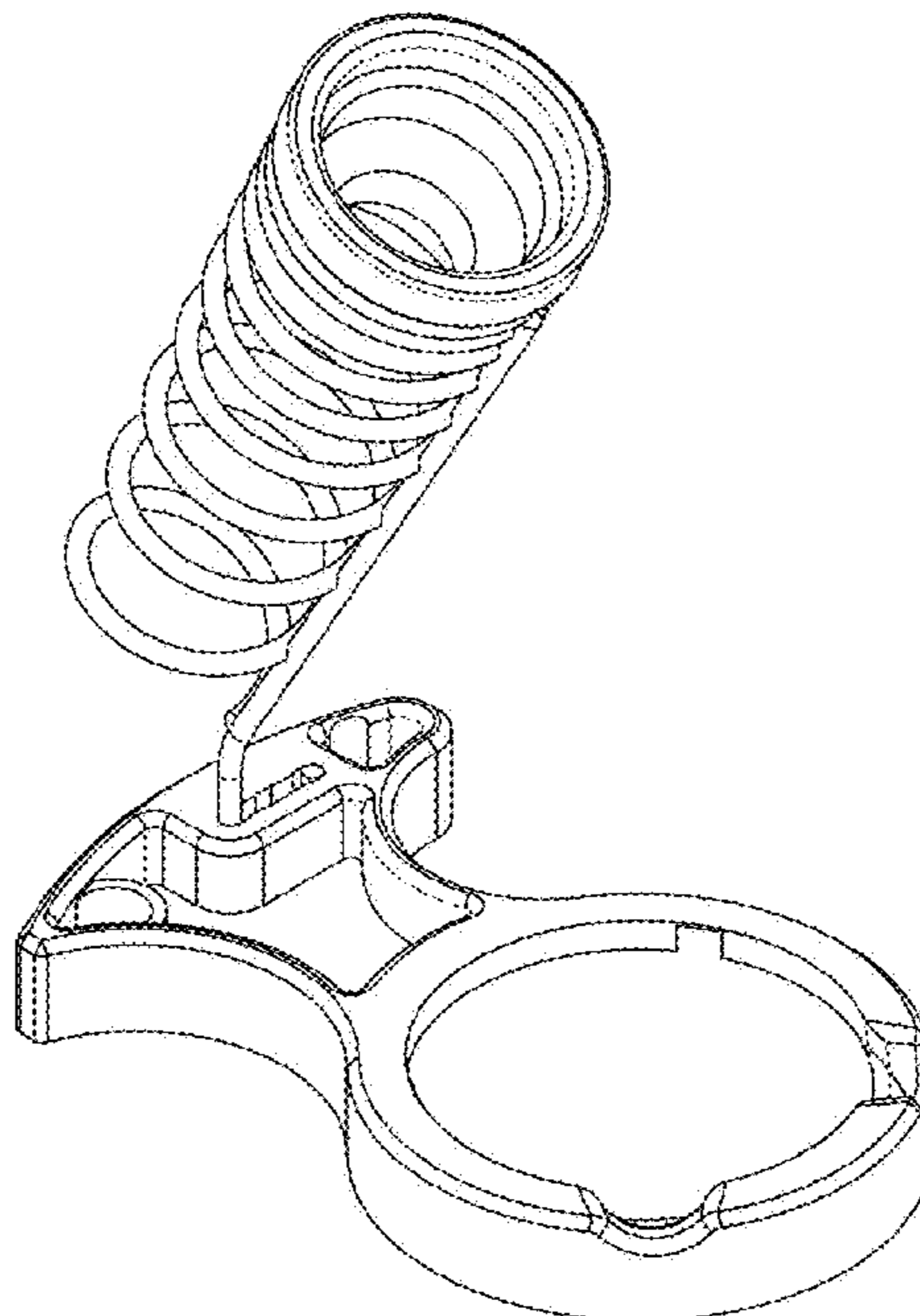
FIG. 1 is a perspective view of the soldering iron holder; FIG. 2 is a front view thereof; FIG. 3 is a rear view thereof; FIG. 4 is a left side view thereof; FIG. 5 is a right side view thereof; FIG. 6 is a top view thereof; and, FIG. 7 is a bottom view thereof.

1 Claim, 7 Drawing Sheets

(56) **References Cited**

U.S. PATENT DOCUMENTS

1,789,475	A *	1/1931	Powell	B23K 3/027	165/181
D197,517	S *	2/1964	Myers	D19/84	
D201,019	S *	5/1965	Weller et al.	D19/84	
3,267,254	A *	8/1966	Weller	B23K 3/027	211/70.6
D205,945	S *	10/1966	Brassaw	D15/144	
D223,482	S *	4/1972	Mehl	D8/71	



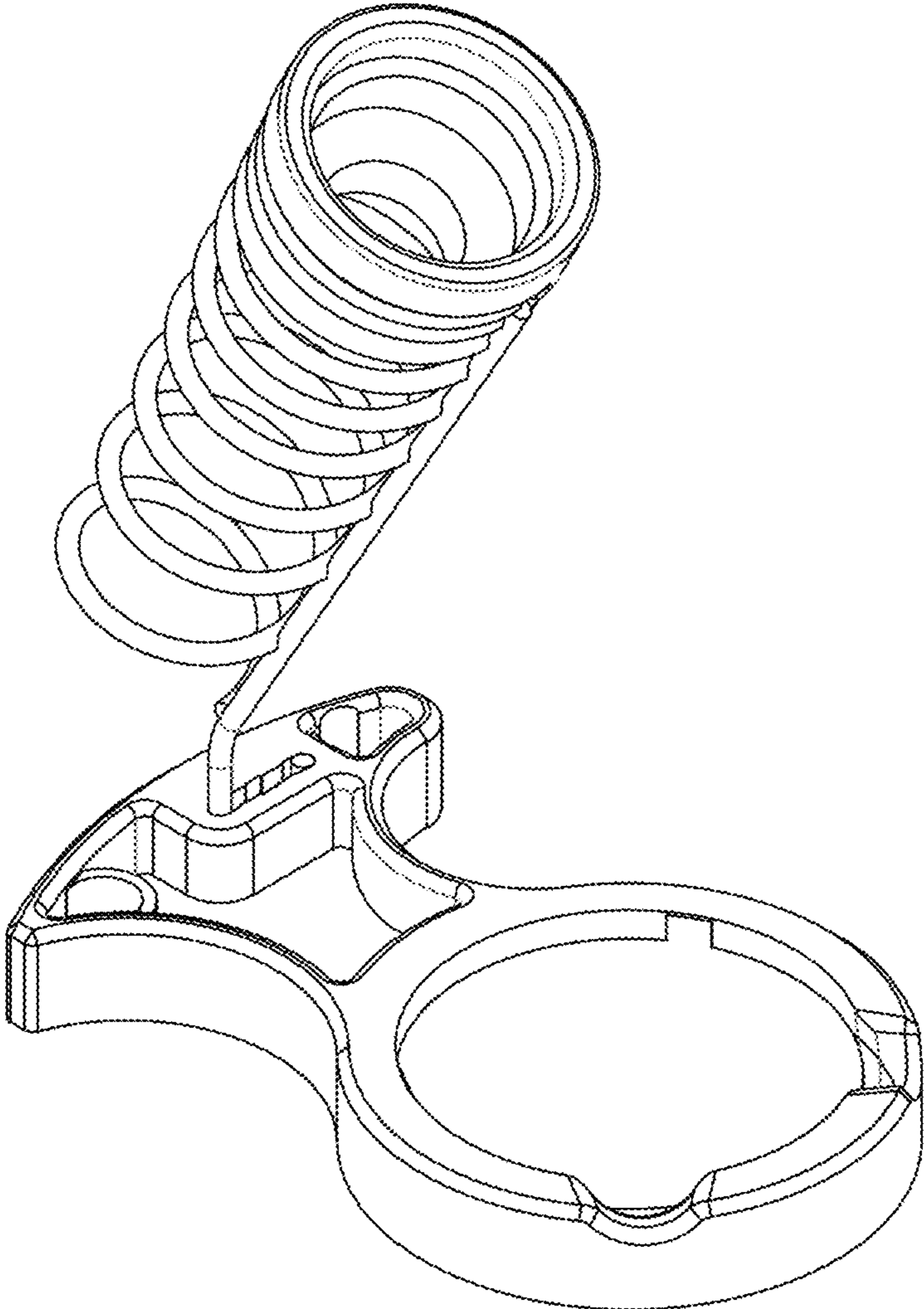


FIG. 1

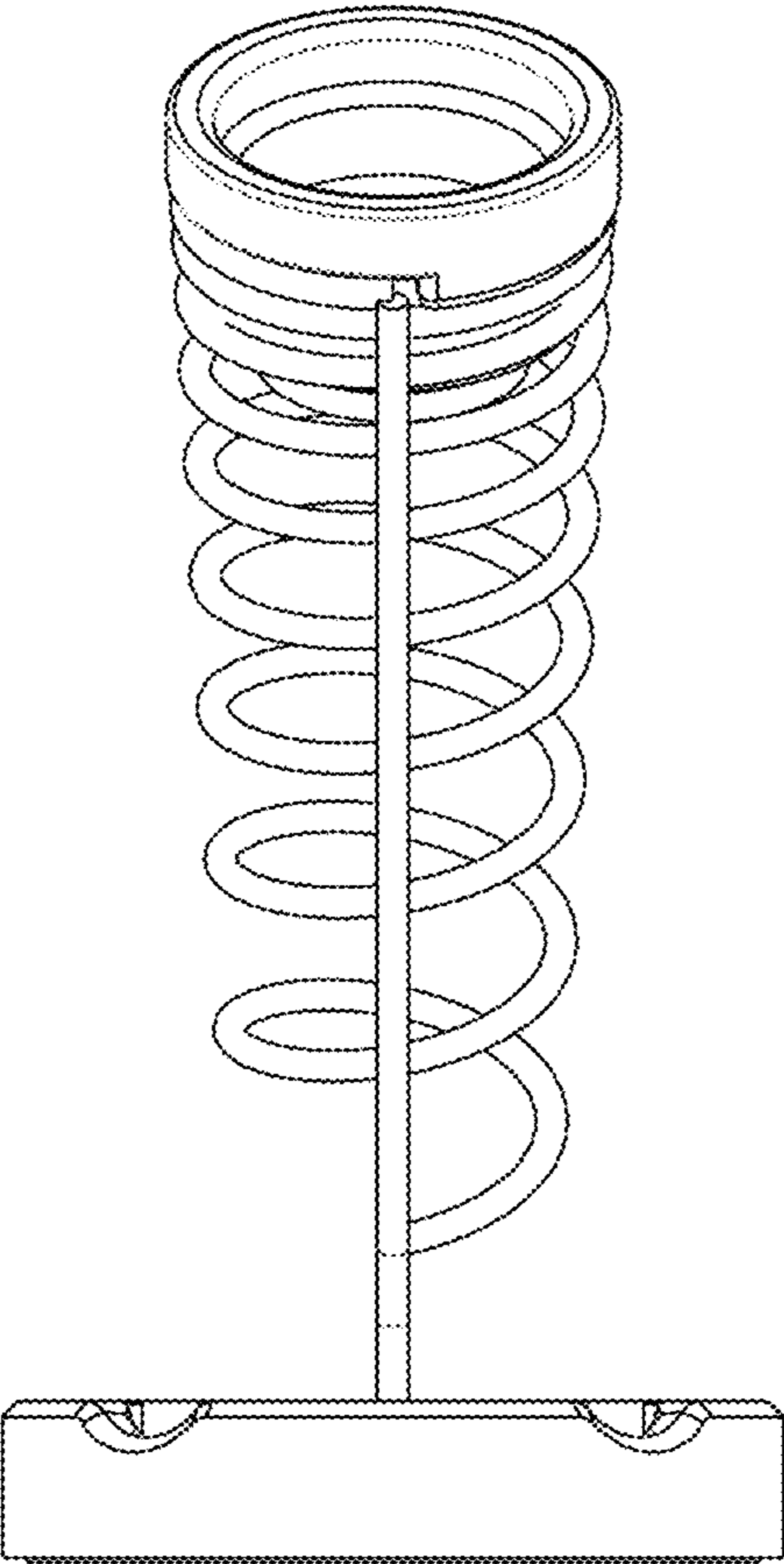


FIG. 2

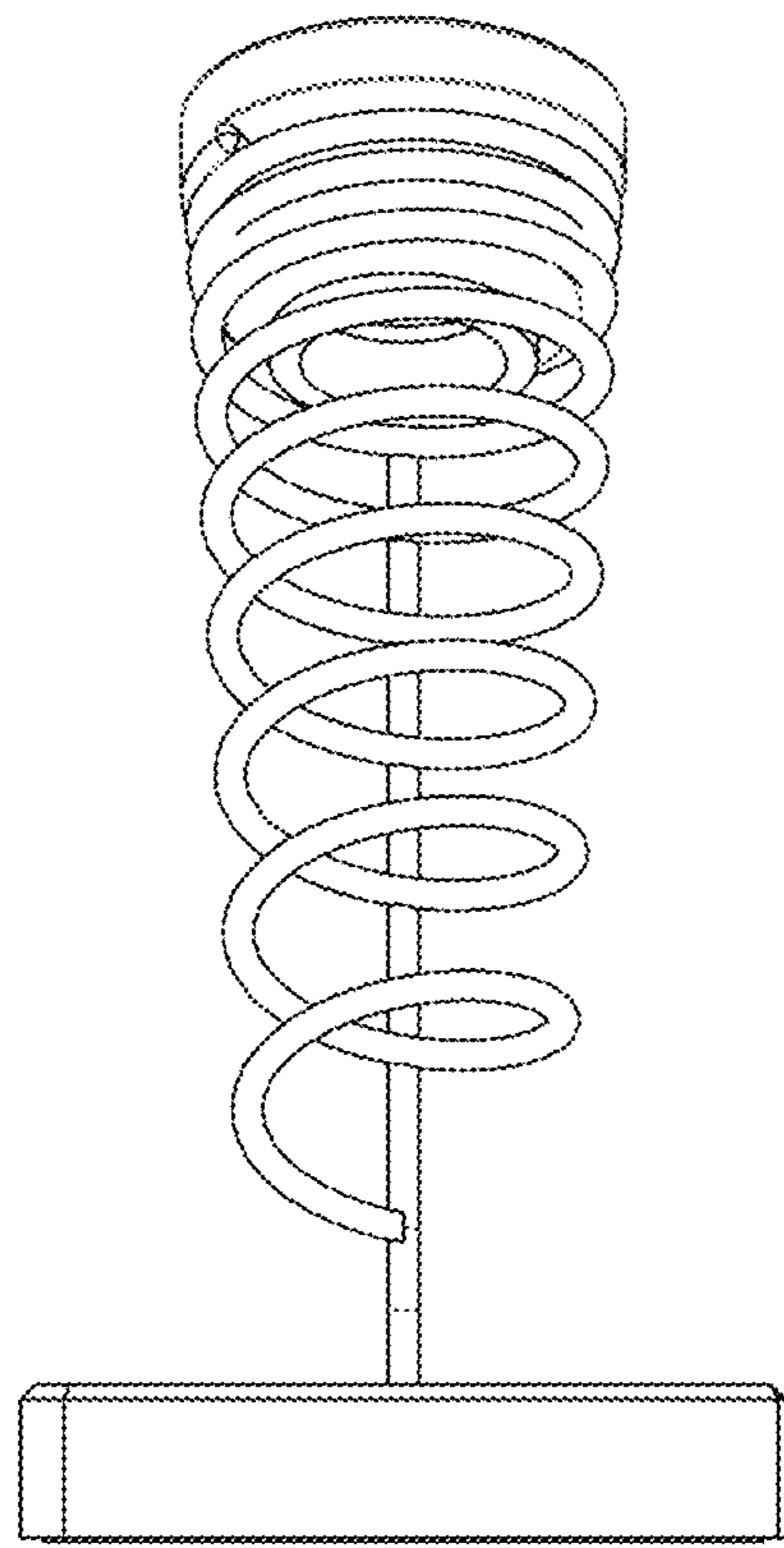


FIG. 3

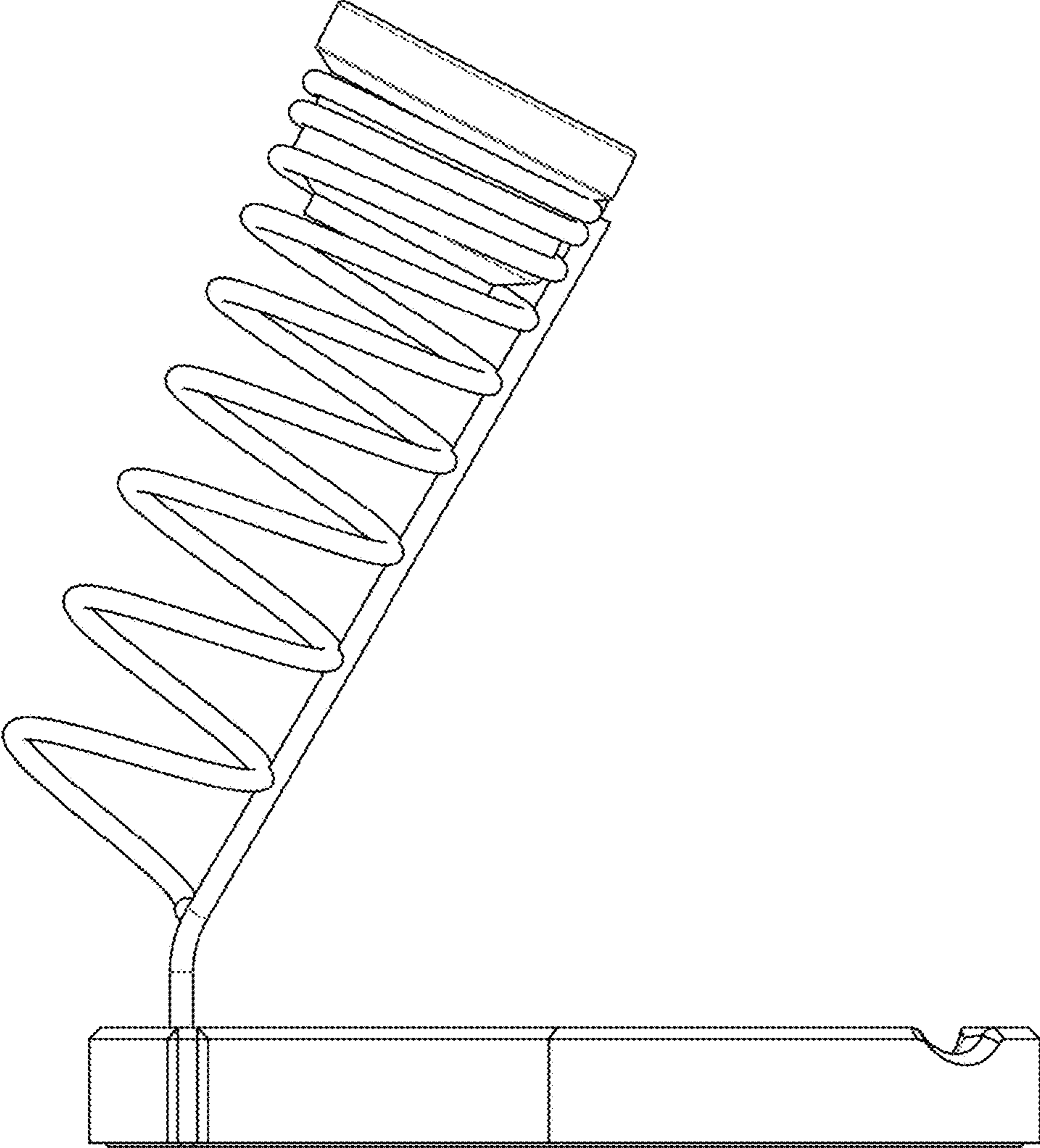


FIG. 4

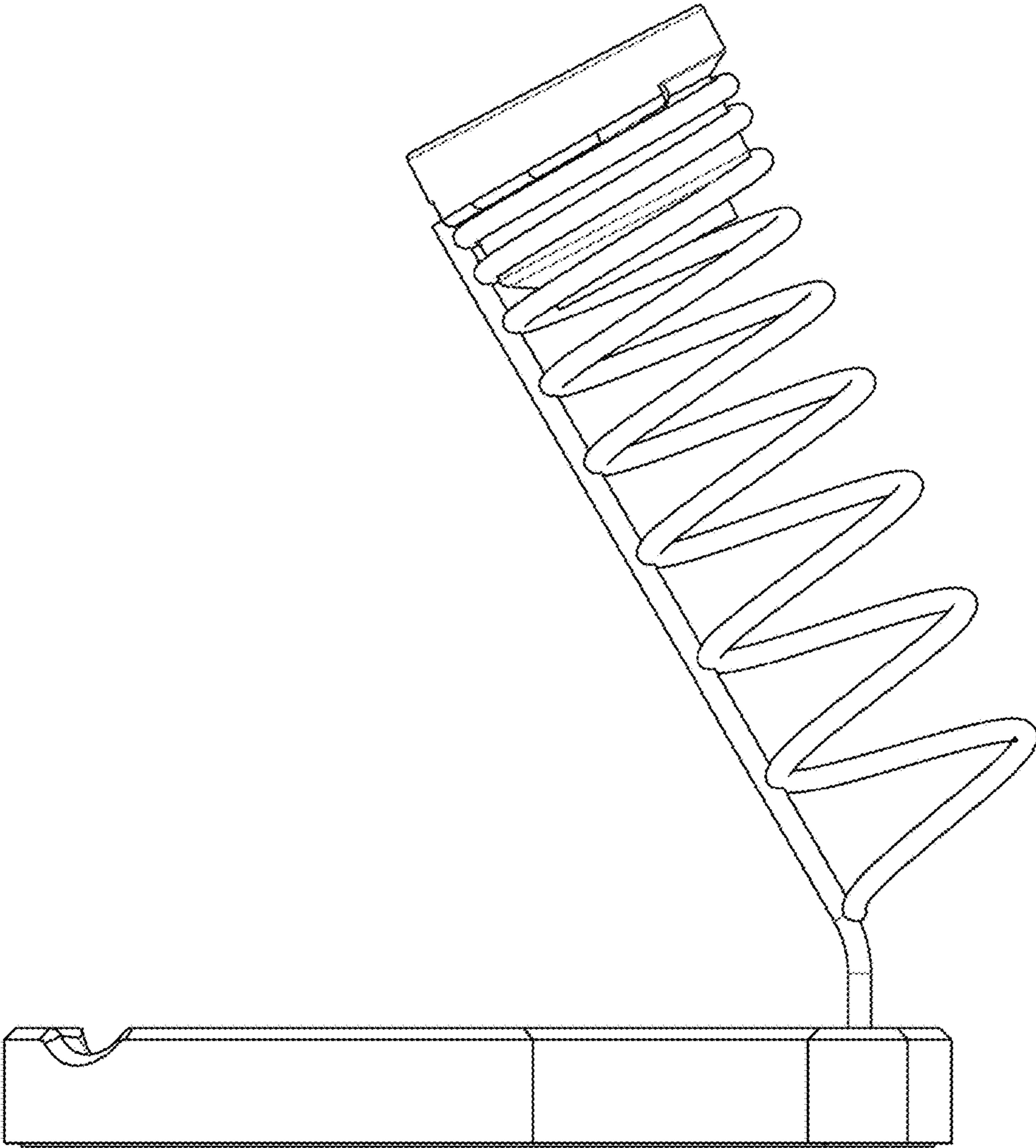


FIG. 5

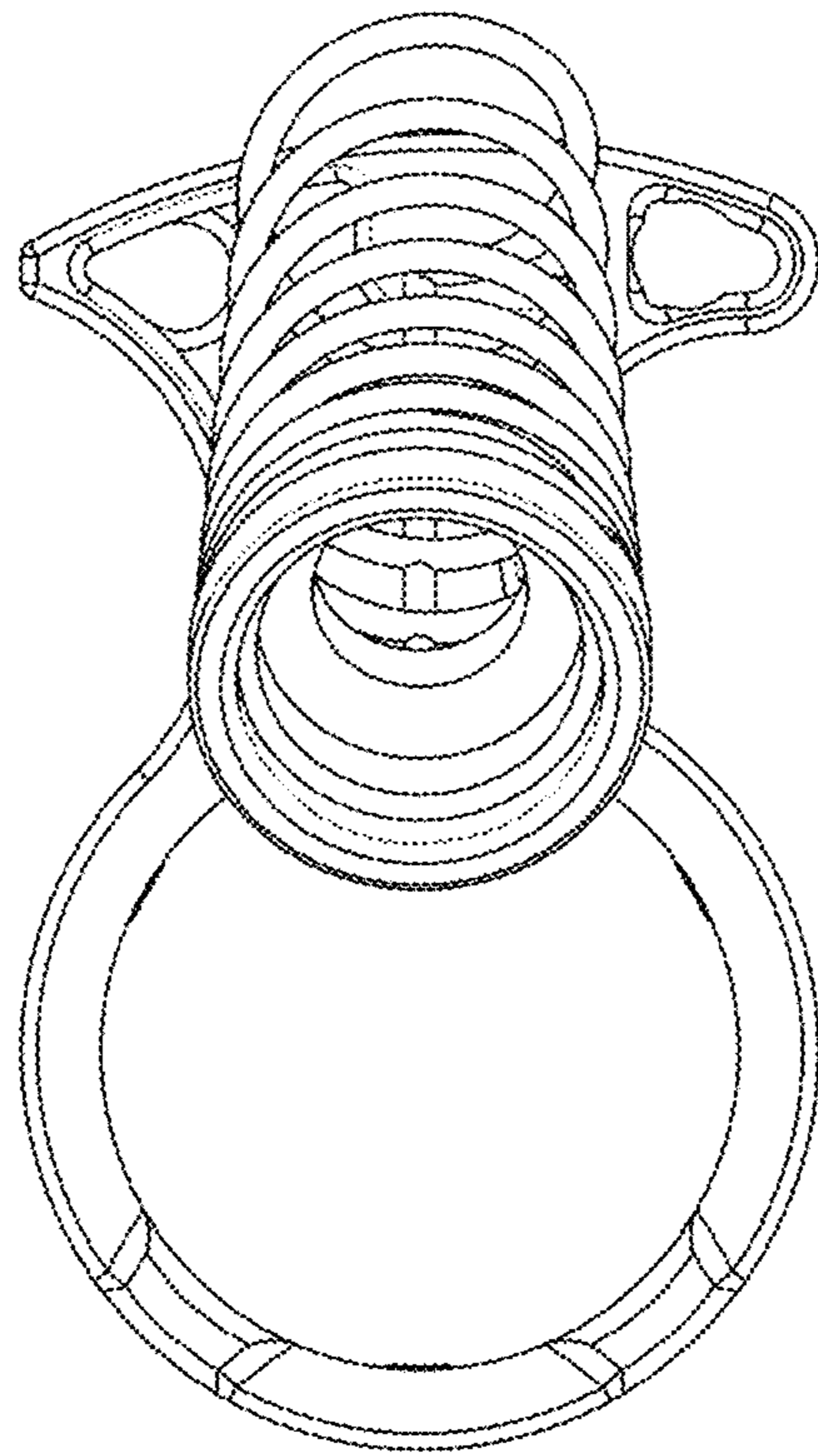


FIG. 6

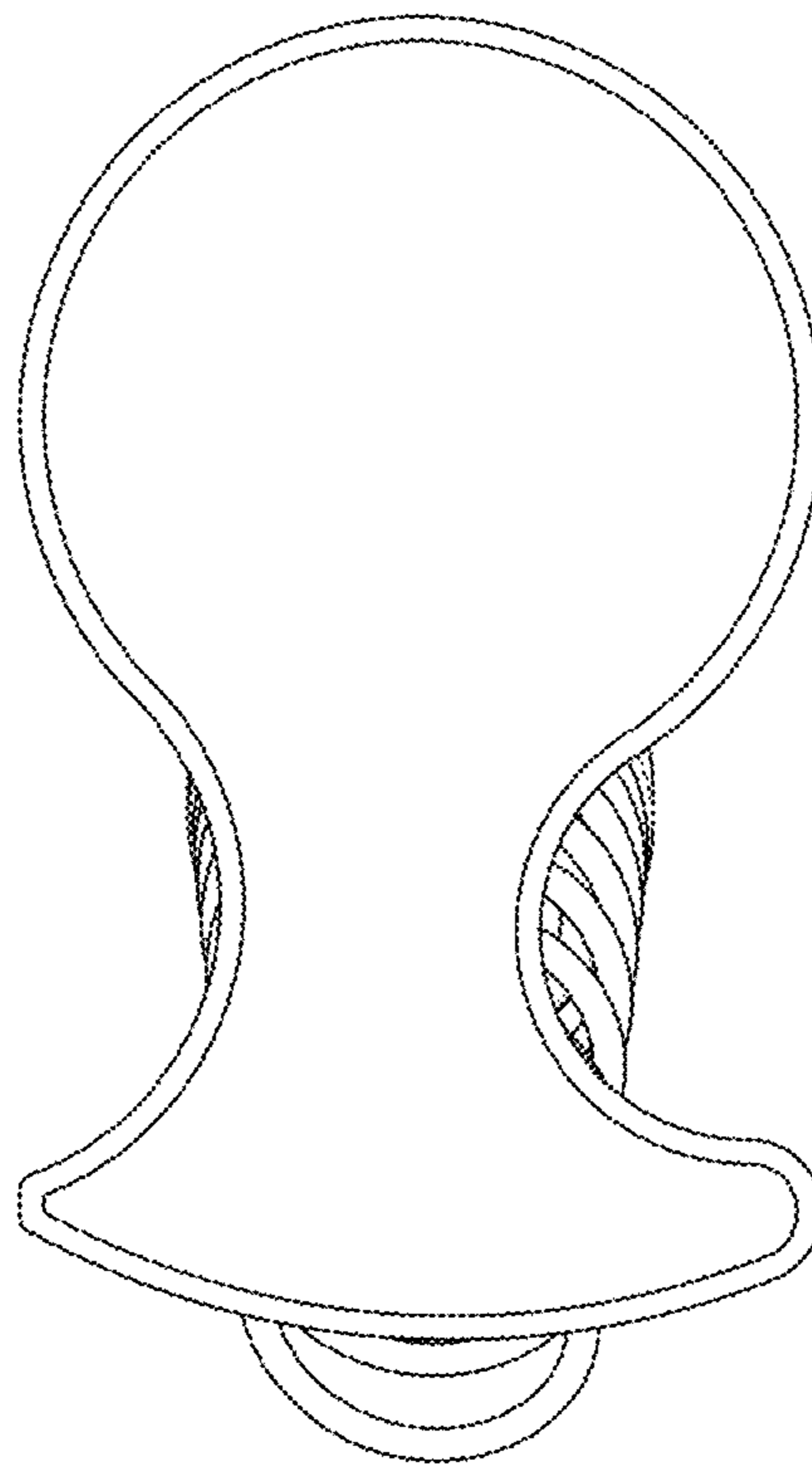


FIG. 7