



US00D832321S

(12) **United States Design Patent**  
**Gou**

(10) **Patent No.:** **US D832,321 S**

(45) **Date of Patent:** **\*\* Oct. 30, 2018**

(54) **SOLDERING STATION**

(71) Applicant: **Guangzhou Yihua Electronic Equipment Co., Ltd.**, Guangzhou, Guangdong (CN)

(72) Inventor: **Mingkang Gou**, Guangdong (CN)

(73) Assignee: **GUANGZHOU YIHUA ELECTRONIC EQUIPMENT CO., LTD.**, Guangzhou, Guangdong (CN)

(\*\*) Term: **15 Years**

(21) Appl. No.: **29/627,171**

(22) Filed: **Nov. 22, 2017**

(51) **LOC (11) Cl.** ..... **15-09**

(52) **U.S. Cl.**  
USPC ..... **D15/144**

(58) **Field of Classification Search**  
USPC ..... D8/30, 107, 303; D15/144, 144.1, 144.2  
CPC ..... B23K 3/027  
See application file for complete search history.

(56) **References Cited**

**U.S. PATENT DOCUMENTS**

D196,048 S *	8/1963	Kolterman	.....	D15/144
D201,019 S *	5/1965	Weller et al.	.....	D19/84
D202,466 S *	10/1965	Hayes	.....	D15/144.1
3,267,254 A *	8/1966	Weller	.....	B23K 3/027 211/70.6
D205,945 S *	10/1966	Brassaw	.....	D15/144
D208,254 S *	8/1967	Ryan	.....	D15/144
D211,525 S *	6/1968	Gilson	.....	D15/144
D212,536 S *	10/1968	Diamond	.....	D10/50
D214,564 S *	7/1969	Davis	.....	D15/144
D223,482 S *	4/1972	Mehl	.....	D8/71
3,705,680 A *	12/1972	Siegel	.....	B23K 3/027 15/114
D270,838 S *	10/1983	Koturov	.....	D15/144

D274,819 S *	7/1984	Bouman	.....	D15/144
D274,882 S *	7/1984	Rittmann	.....	D15/144
D274,914 S *	7/1984	Bouman	.....	D15/144
D276,495 S *	11/1984	Sylvia	.....	D13/110
D277,636 S *	2/1985	Rittmann	.....	D15/144
D398,016 S *	9/1998	Neef	.....	D15/144.2
D428,427 S *	7/2000	Neef	.....	D15/144.2
D445,812 S *	7/2001	Shimizu	.....	D15/144
D454,578 S *	3/2002	Armbruster	.....	D15/144
D489,741 S *	5/2004	Calco	.....	D15/144
D490,448 S *	5/2004	Ishihara	.....	D15/144
D550,731 S *	9/2007	Ishihara	.....	D15/144.2
D656,525 S *	3/2012	Mochizuki	.....	D15/144.2
D703,715 S *	4/2014	Kita	.....	D15/144
D762,254 S *	7/2016	Kita	.....	D15/144.2
D762,754 S *	8/2016	Kita	.....	D15/144.2

(Continued)

*Primary Examiner* — Patricia A Palasik

(74) *Attorney, Agent, or Firm* — Lucas & Mercanti LLP

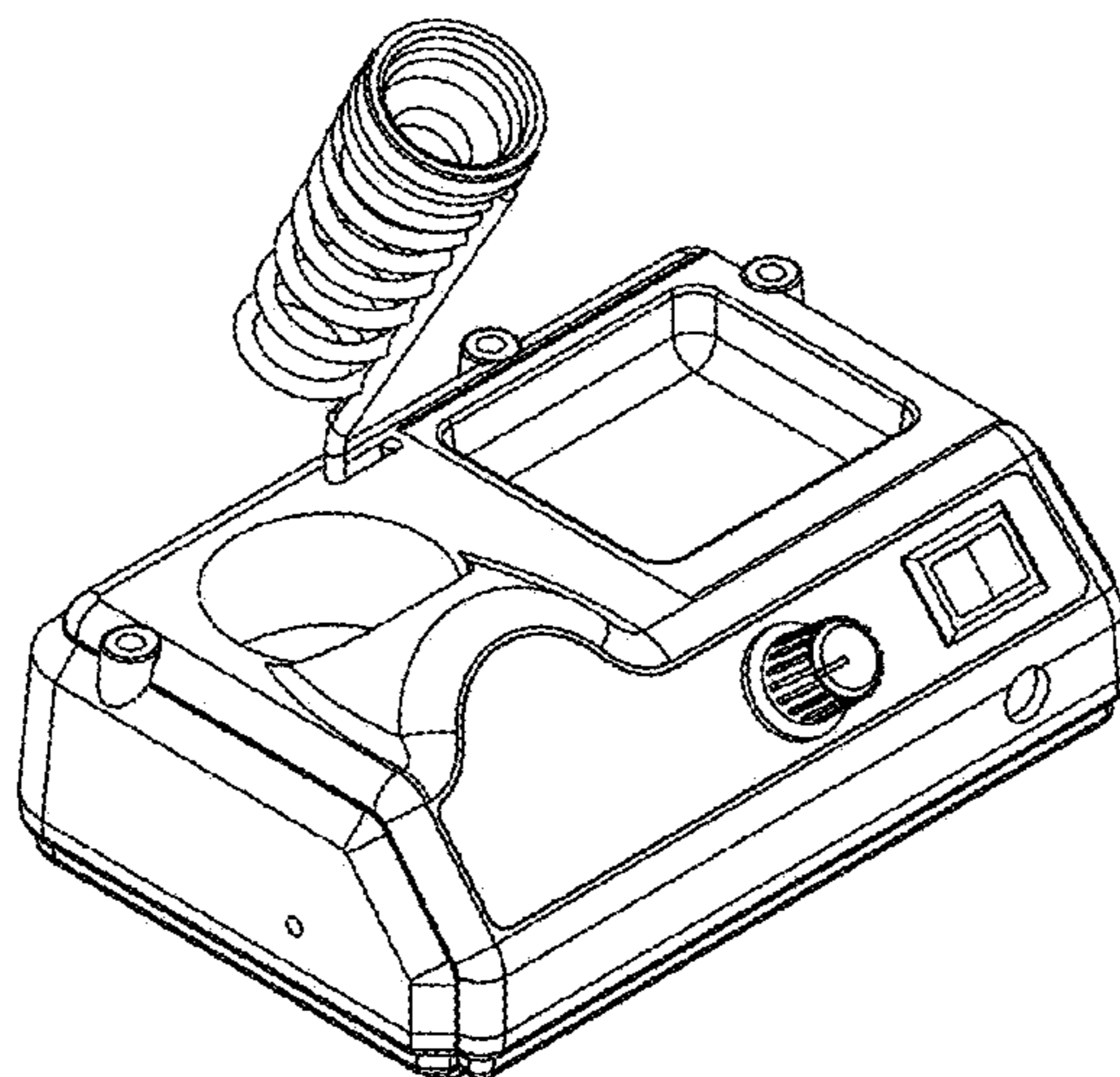
(57) **CLAIM**

The ornamental design for a soldering station, as shown and described.

**DESCRIPTION**

FIG. 1 is a perspective view of the soldering station;  
 FIG. 2 is a front view thereof;  
 FIG. 3 is a rear view thereof;  
 FIG. 4 is a left side view hereof;  
 FIG. 5 is a right side view thereof;  
 FIG. 6 is a top view thereof;  
 FIG. 7 is a bottom view thereof;  
 FIG. 8 is a perspective view of a second embodiment of the soldering station;  
 FIG. 9 is a front view thereof;  
 FIG. 10 is a rear view thereof;  
 FIG. 11 is a left side view thereof;  
 FIG. 12 is a right side view thereof;  
 FIG. 13 is a top view thereof; and,  
 FIG. 14 is a bottom view thereof.

**1 Claim, 14 Drawing Sheets**



(56)

**References Cited**

U.S. PATENT DOCUMENTS

D780,241 S \* 2/2017 Teraoka ..... D15/144.2  
2004/0232289 A1\* 11/2004 Aguirre ..... B23K 3/027  
248/117.2  
2008/0067164 A1\* 3/2008 Kuo ..... B23K 3/027  
219/242  
2017/0127532 A1\* 5/2017 Pinto, IV ..... B23K 1/19

\* cited by examiner

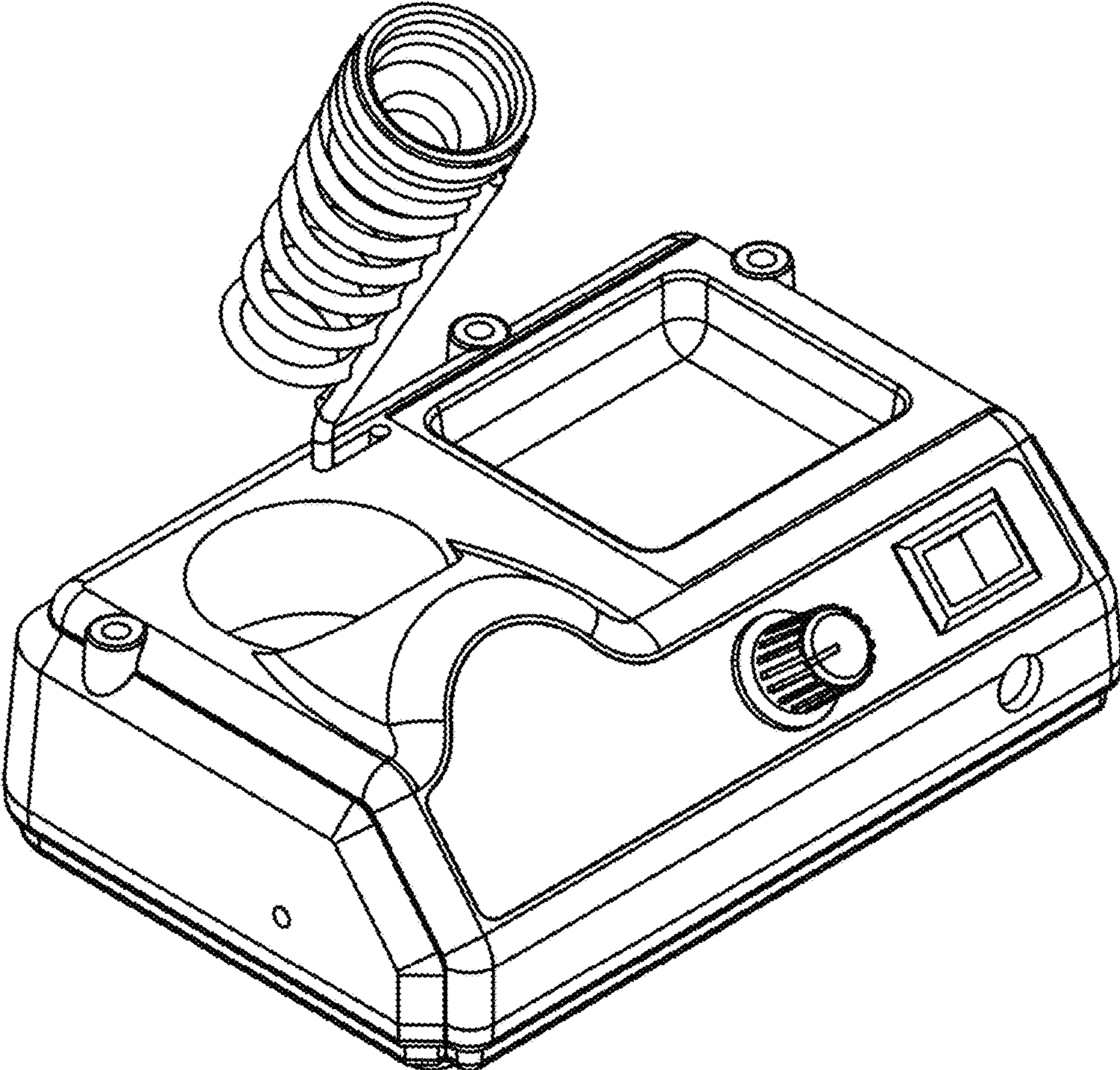


FIG. 1

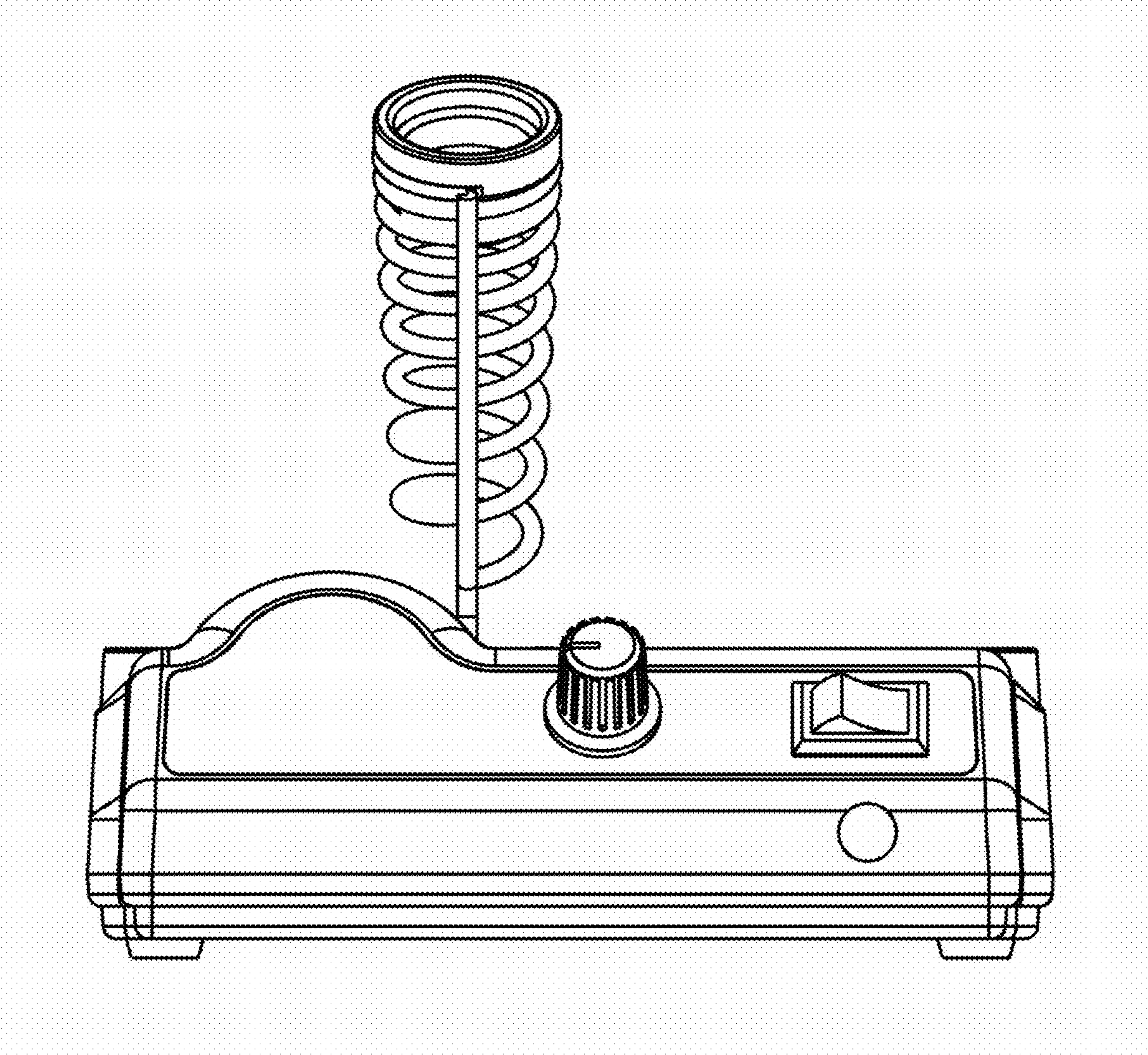


FIG. 2

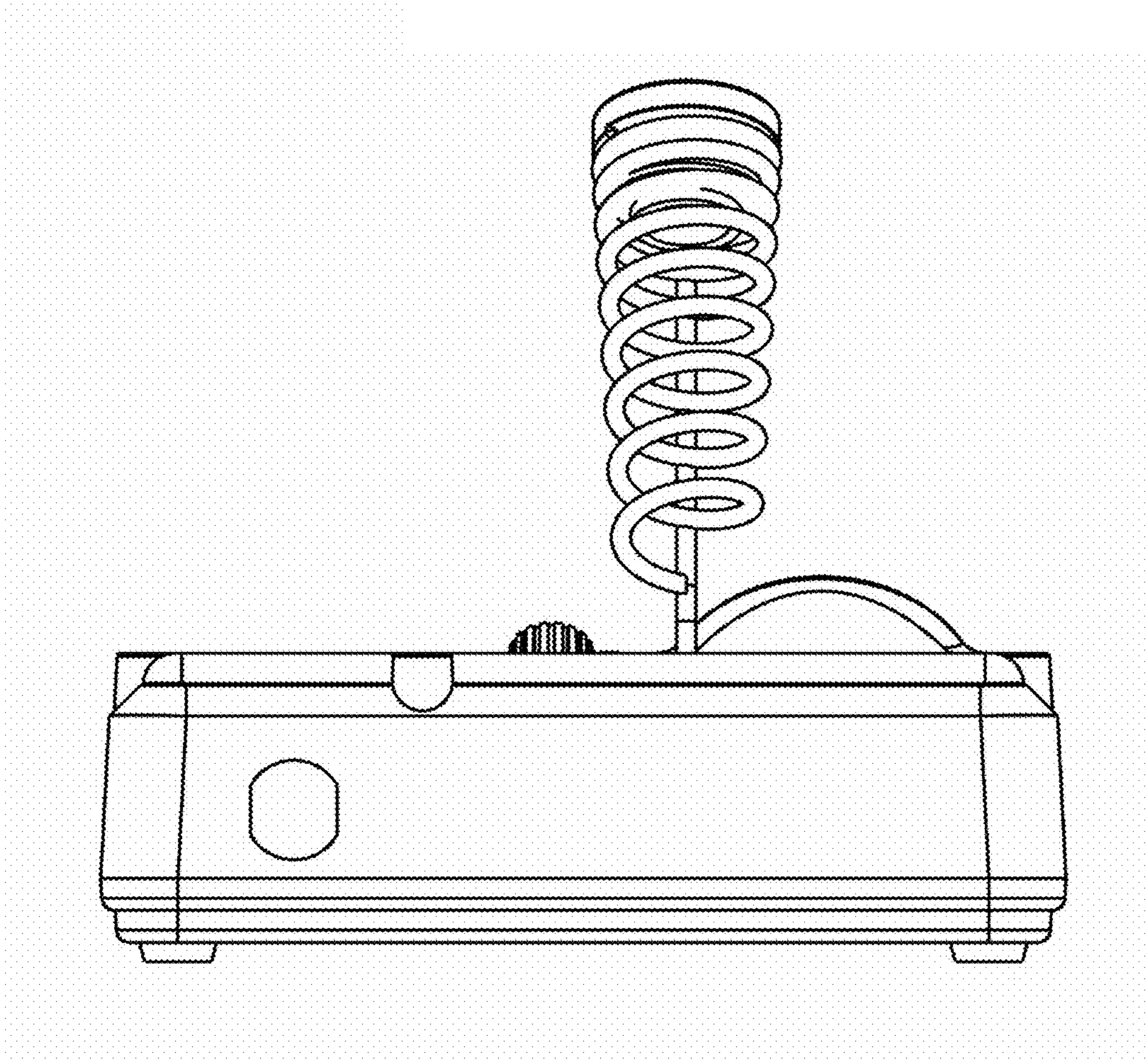


FIG. 3

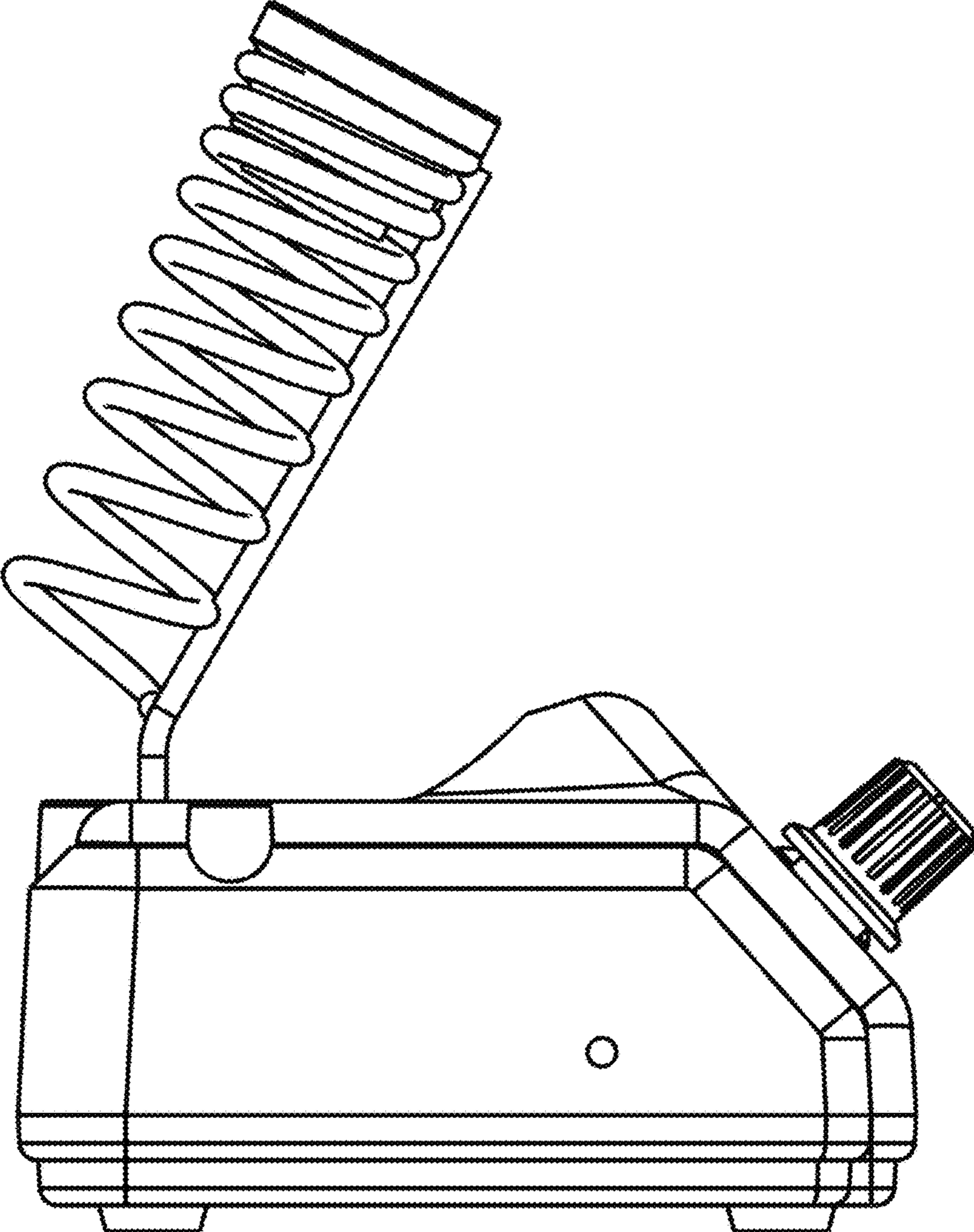


FIG. 4

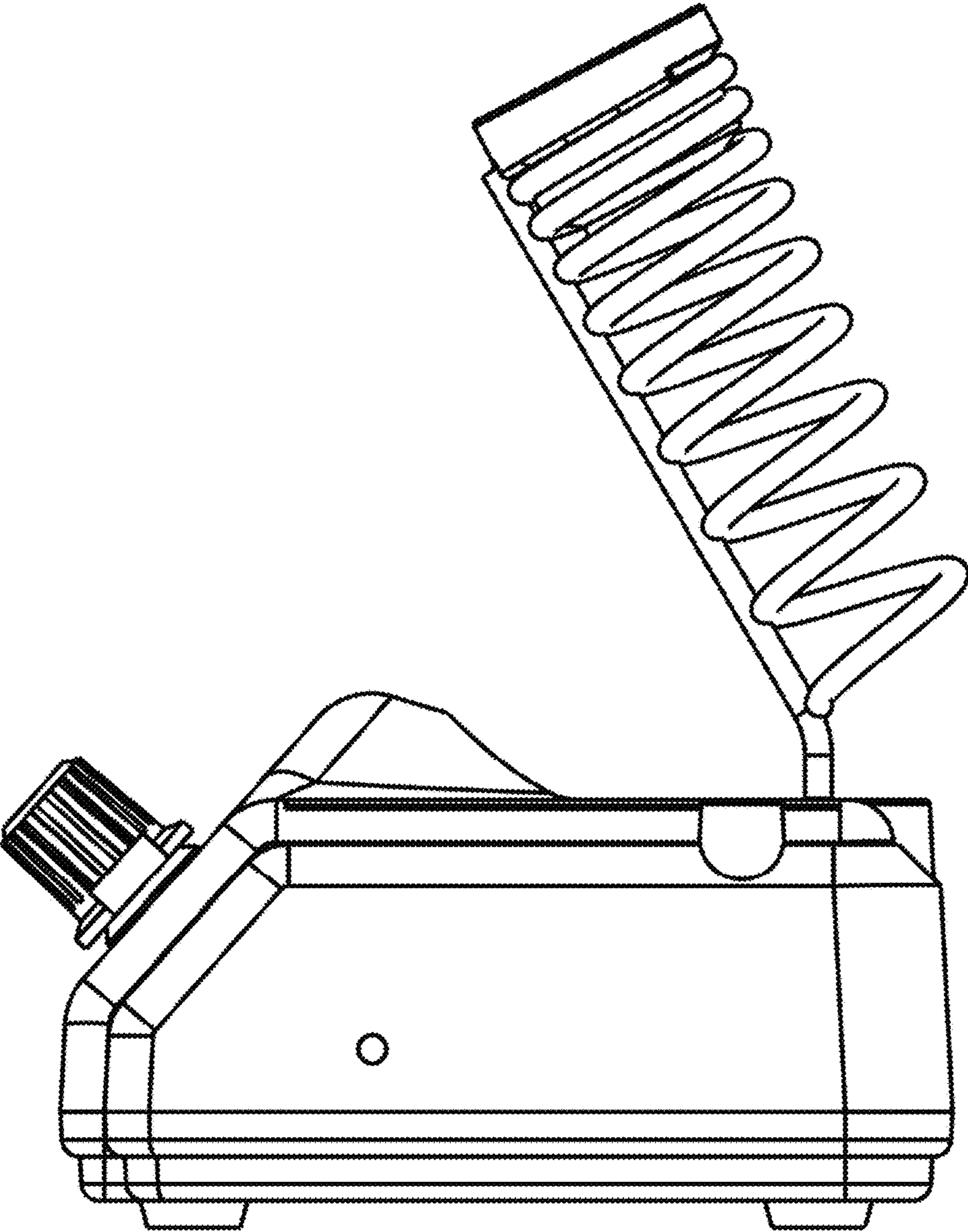


FIG. 5

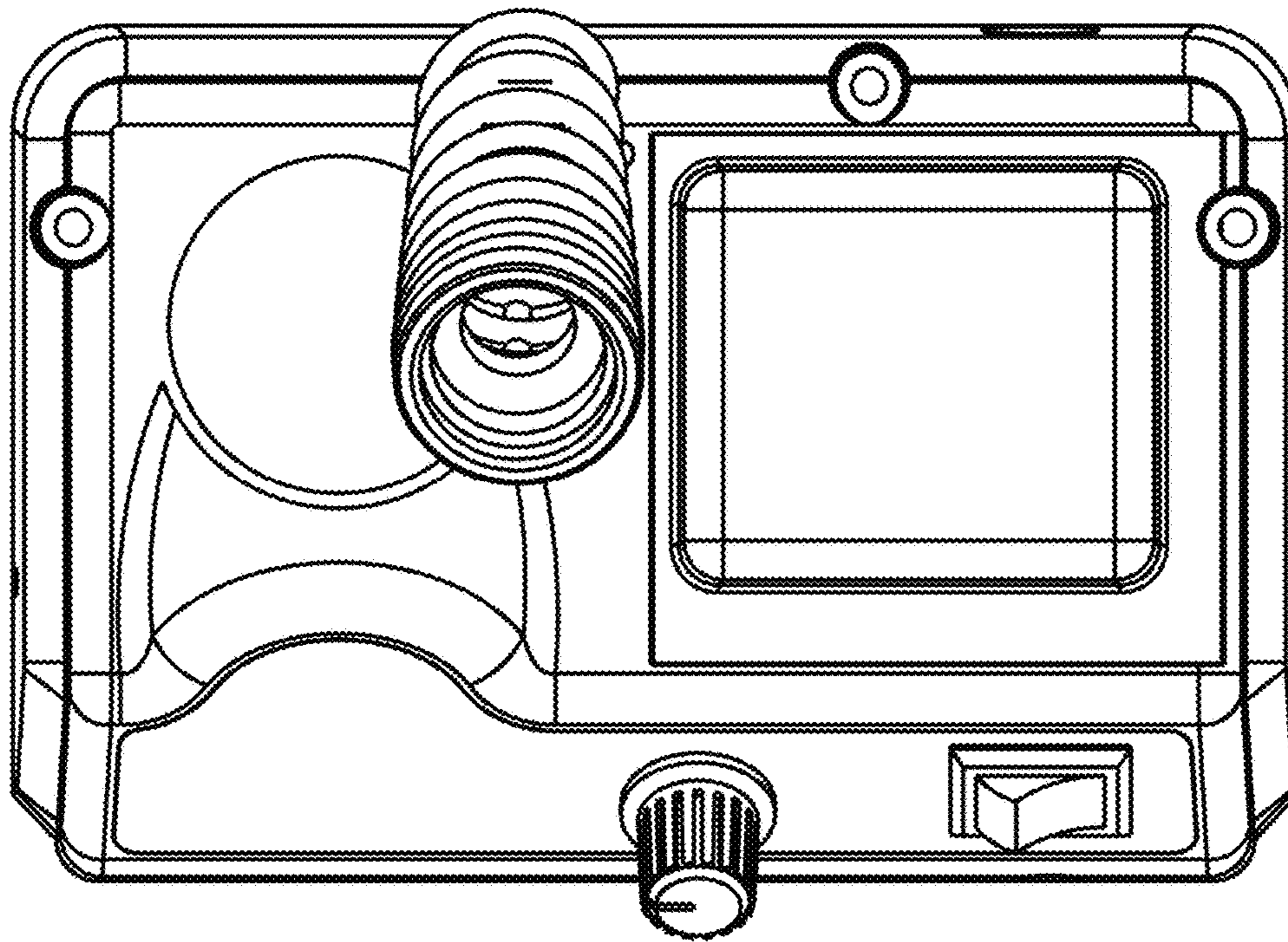


FIG. 6



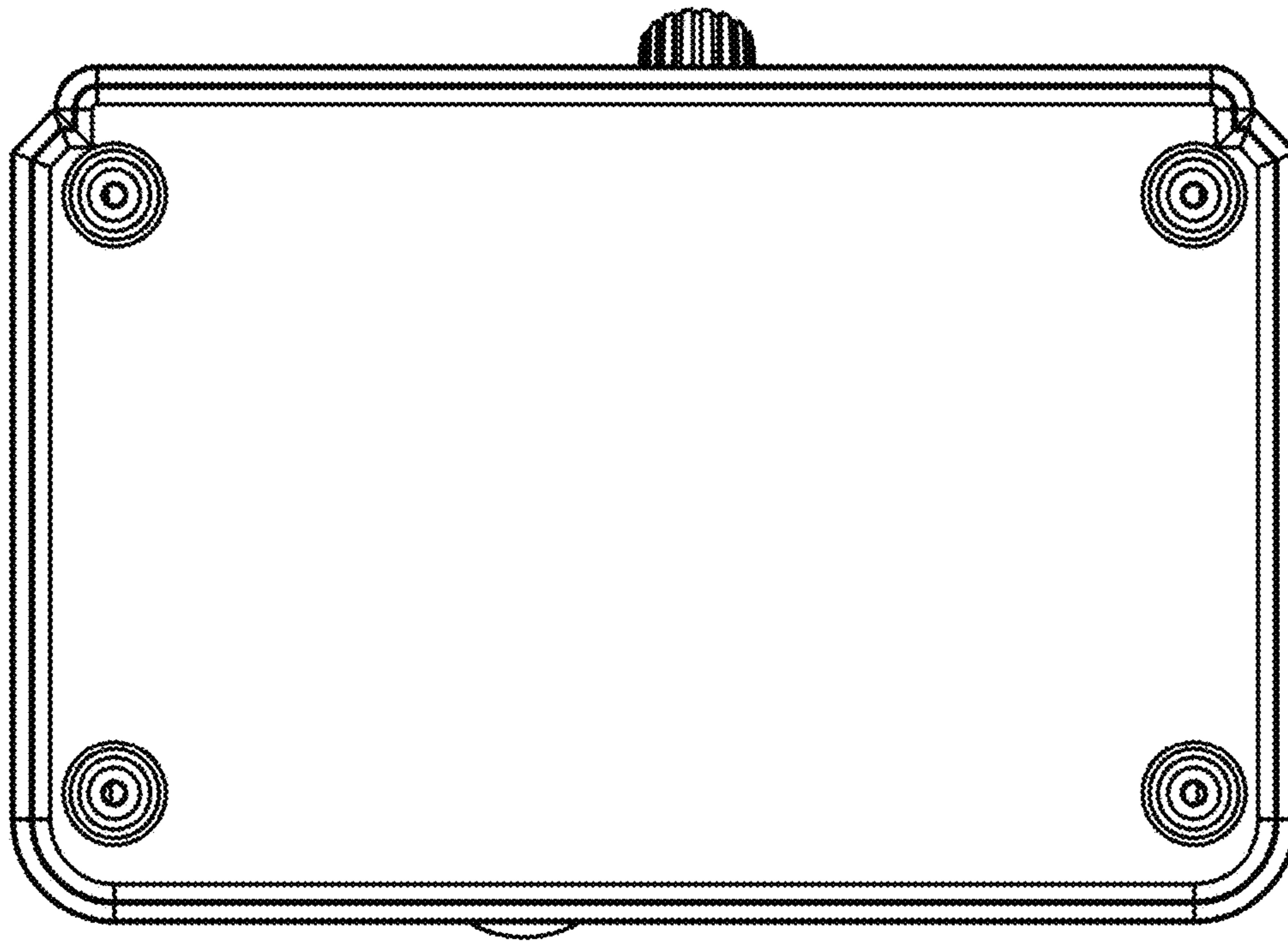


FIG. 7

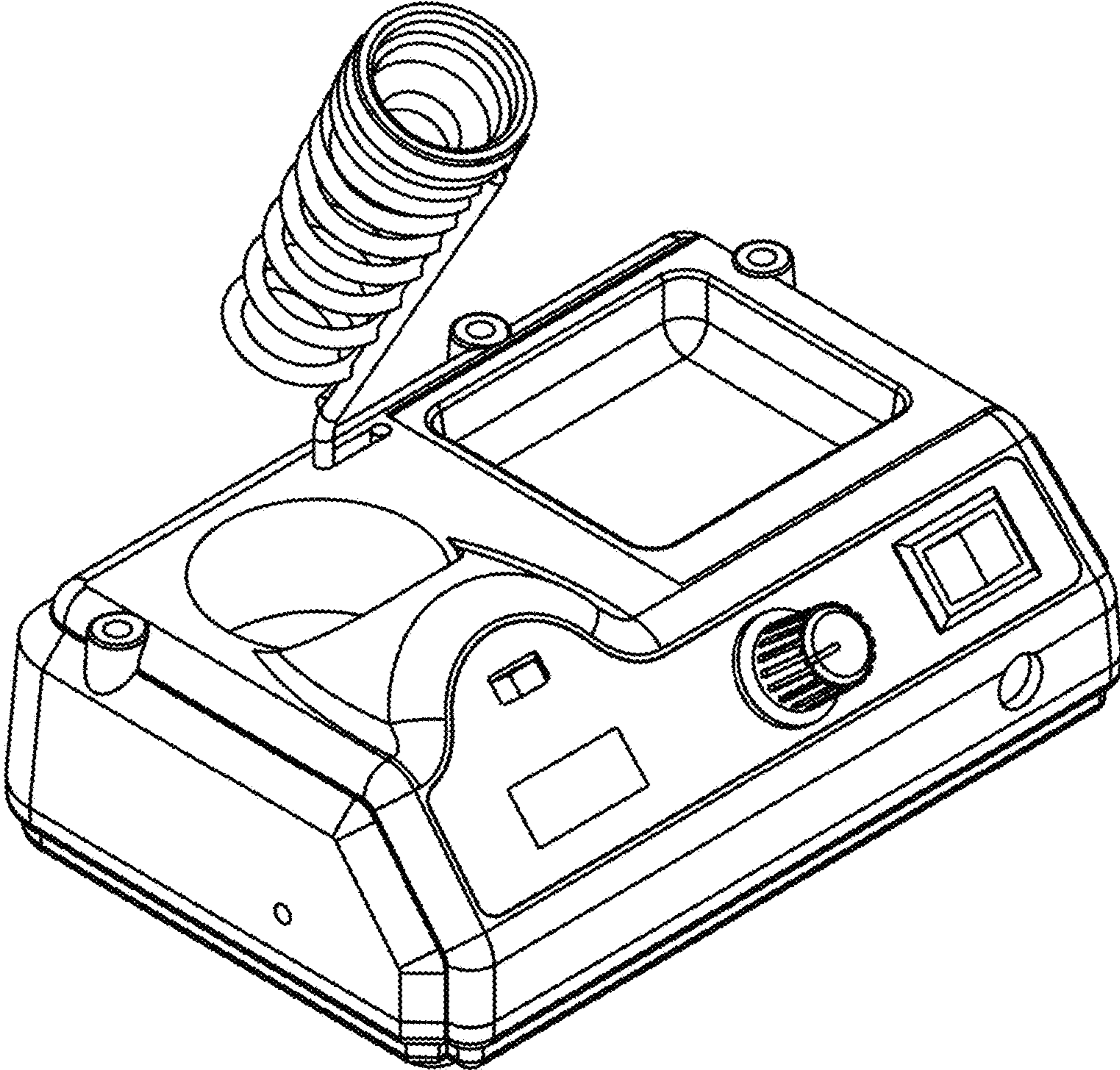


FIG. 8

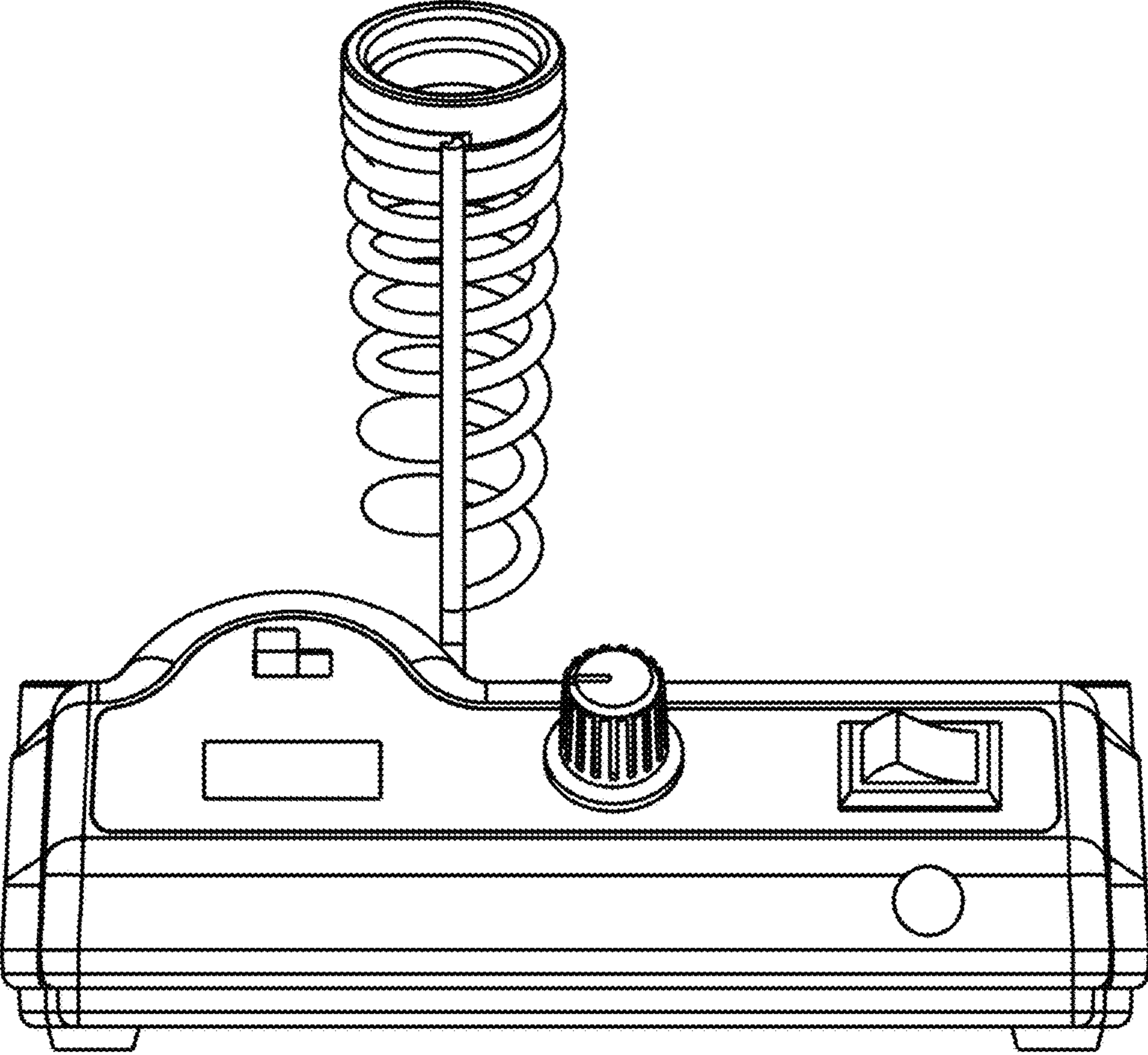


FIG. 9

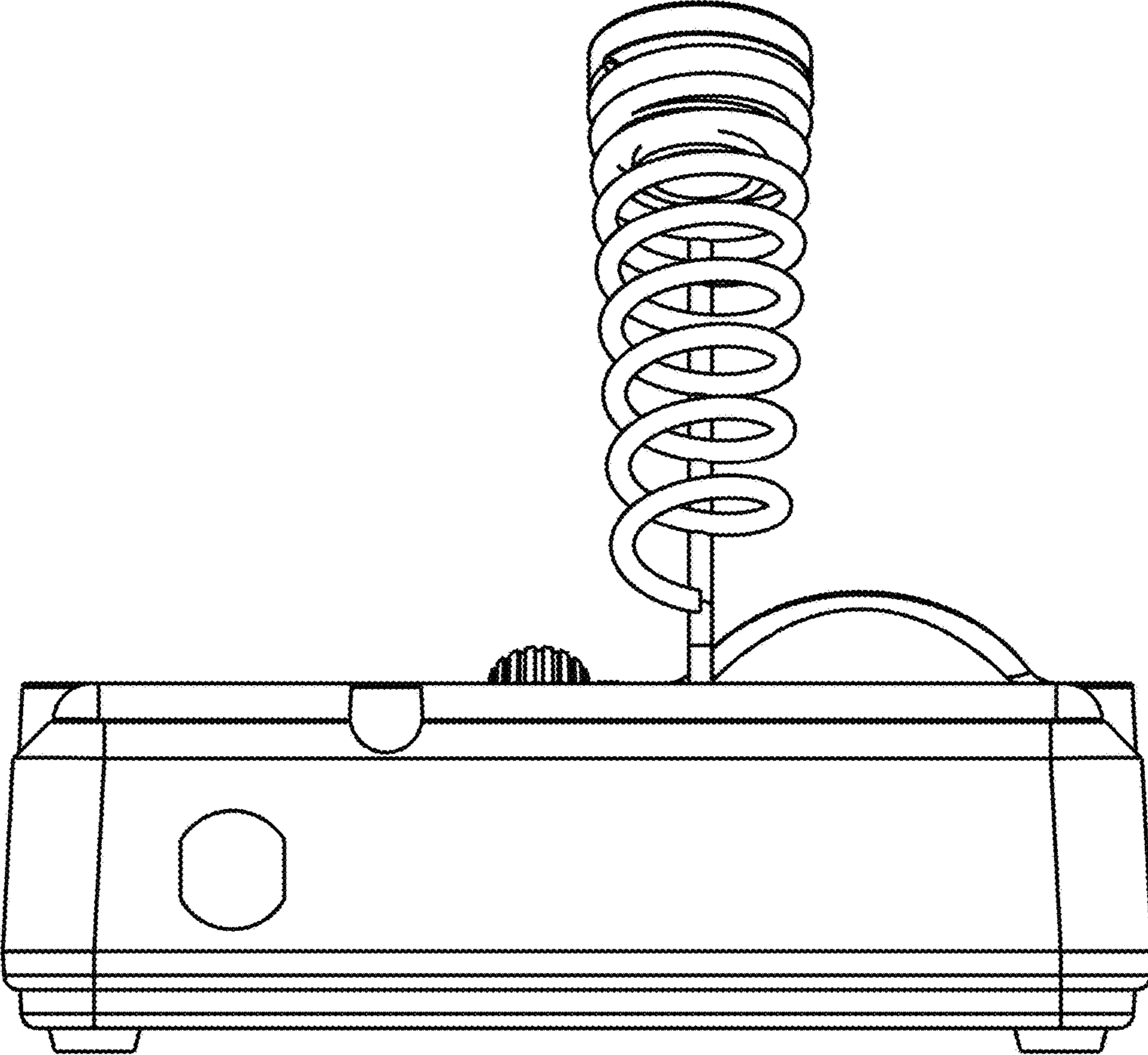


FIG. 10

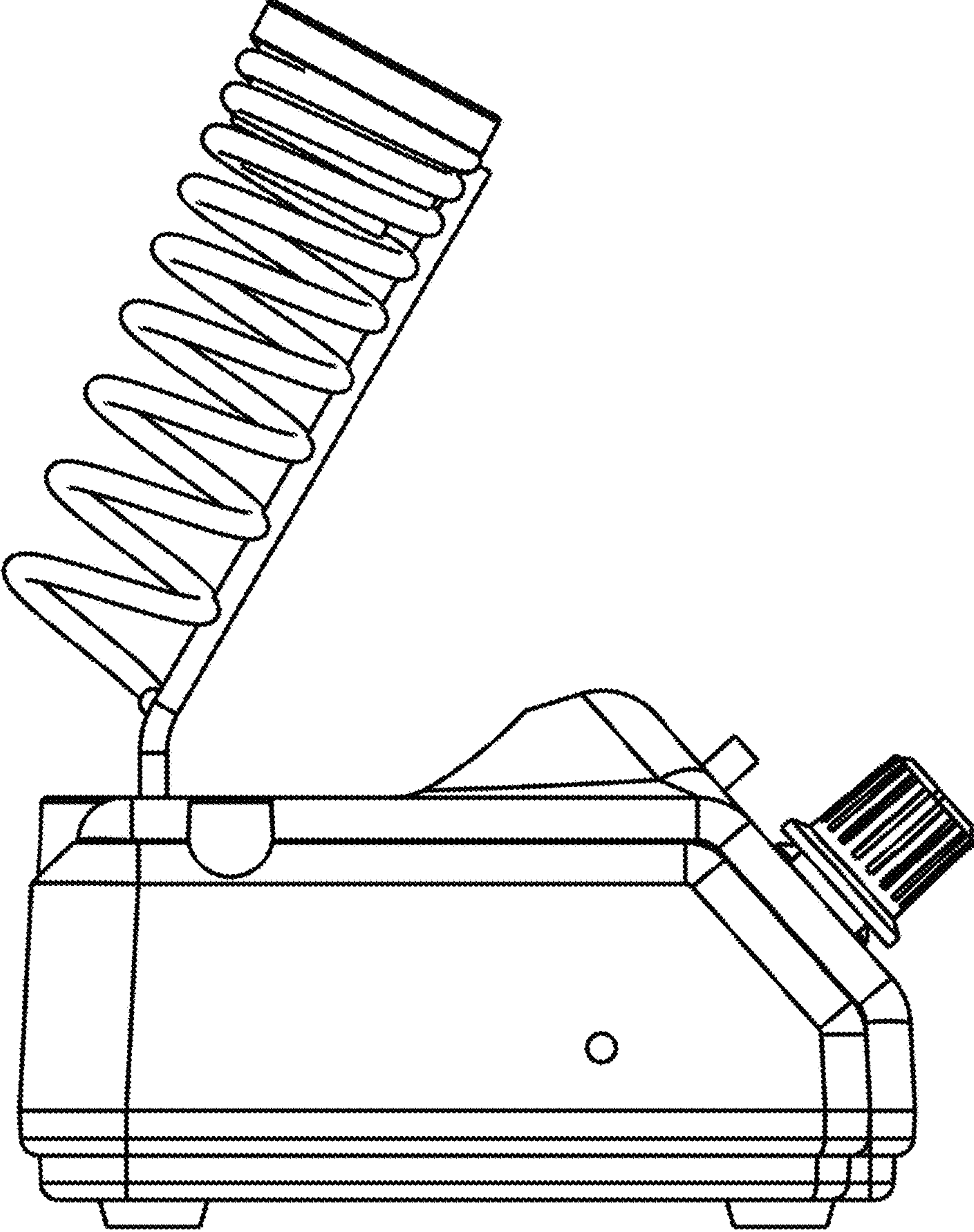


FIG. 11

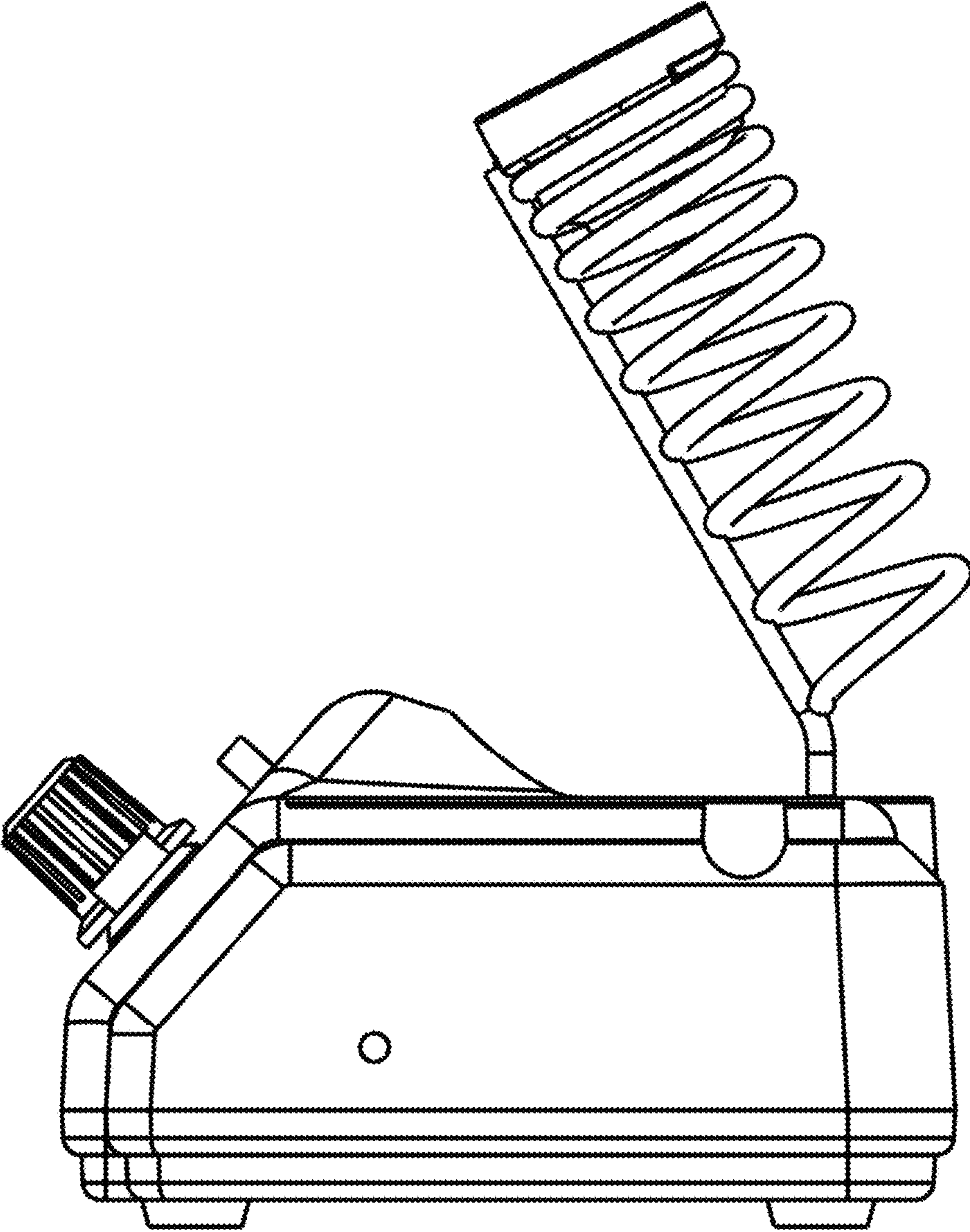


FIG.12

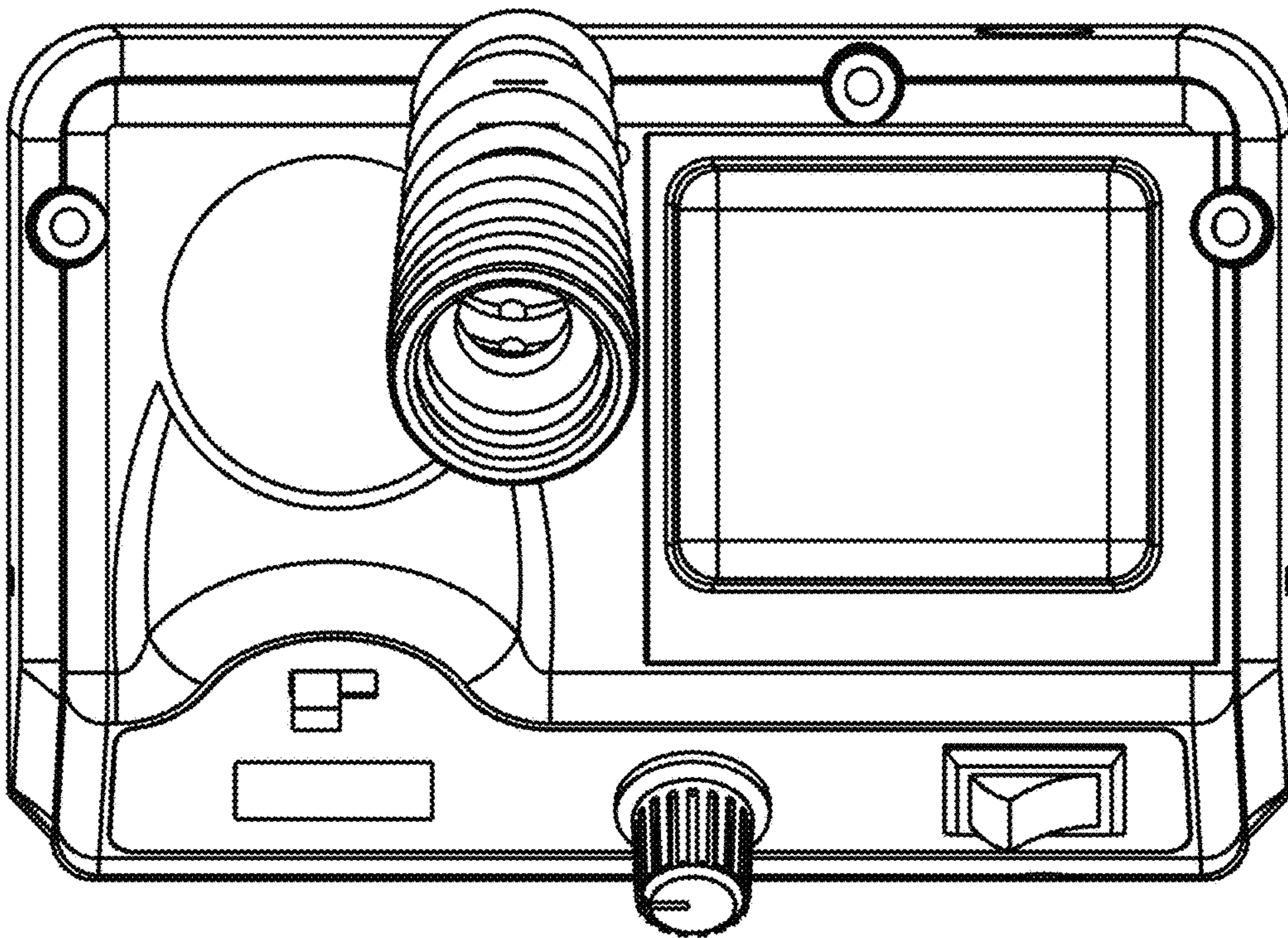


FIG. 13

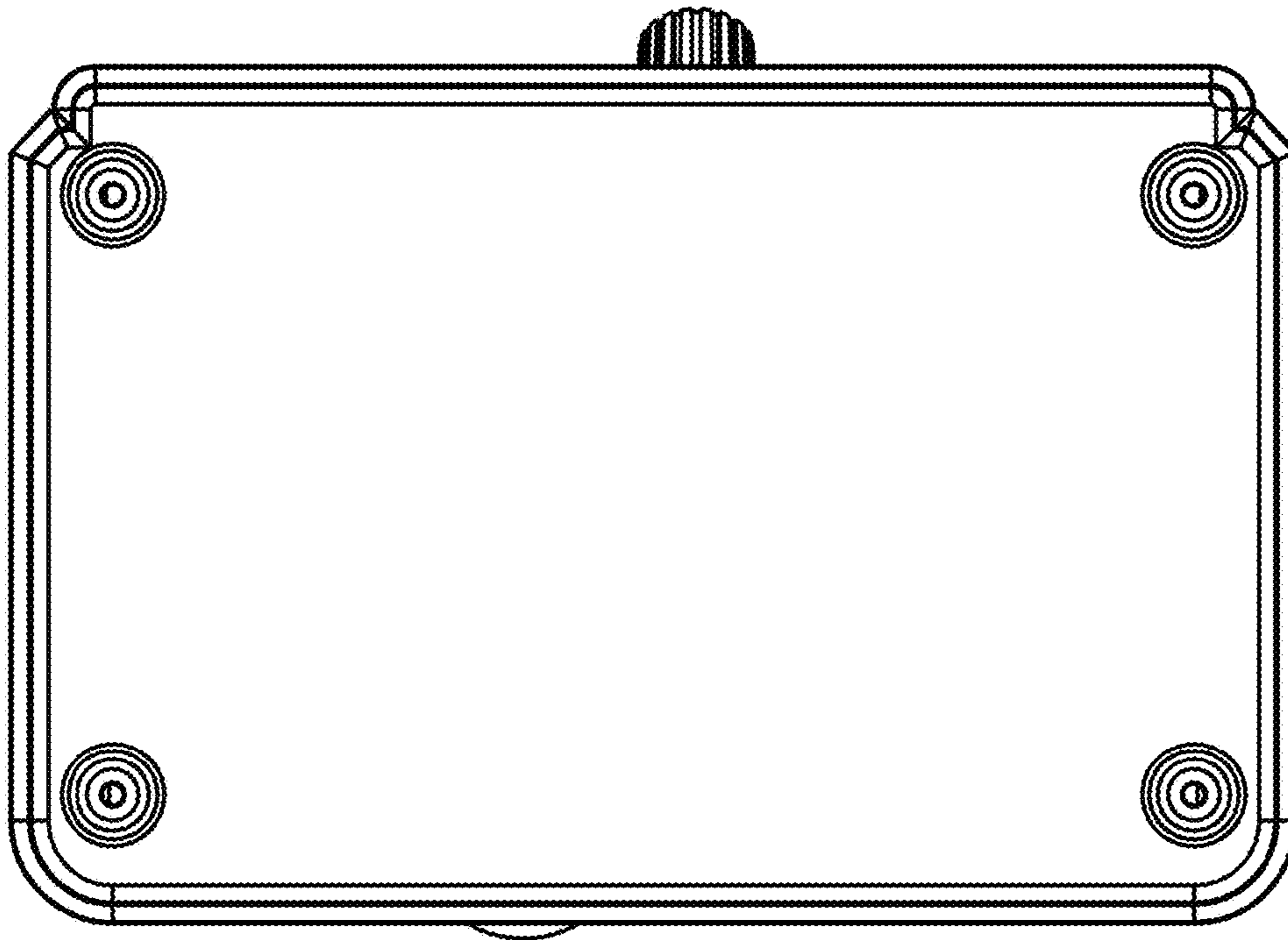


FIG. 14