



US00D832319S

(12) **United States Design Patent** (10) **Patent No.:** **US D832,319 S**
Muthuswamy et al. (45) **Date of Patent:** **** Oct. 30, 2018**

(54) **CUTTING INSERT WITH FOUR-LOBED SEATING AREA**

D482,706 S * 11/2003 Svensson D15/139
6,641,337 B1 * 11/2003 Rothballer B23B 27/143
407/114

(71) Applicant: **Kennametal Inc.**, Latrobe, PA (US)

6,769,844 B2 8/2004 Waggle
7,220,083 B2 5/2007 Festeau et al.
7,530,769 B2 * 5/2009 Kress B23B 27/1625
407/107

(72) Inventors: **Padmakumar Muthuswamy**,
Bangalore (IN); **Andreas Wuerfels**,
Essen (DE); **Sivapapachari Chennuri**,
Bangalore (IN); **Shivanna Muniyappa**,
Bangalore (IN); **Bharath Kumar**
Arumugam, Bangalore (IN)

D640,716 S * 6/2011 Takahashi D15/139
D651,224 S * 12/2011 Takahashi D15/139
8,096,735 B2 1/2012 Sladek et al.
8,858,131 B2 10/2014 Scheicher
D760,308 S * 6/2016 Krishnegowda D15/139

(Continued)

(73) Assignee: **KENNAMETAL INC.**, Latrobe, PA
(US)

FOREIGN PATENT DOCUMENTS

(**) Term: **15 Years**

DE 4020171008610001 9/2017
DE 4020171008610002 9/2017

(Continued)

(21) Appl. No.: **29/594,015**

(22) Filed: **Feb. 15, 2017**

OTHER PUBLICATIONS

(51) **LOC (11) Cl.** **15-09**

Seco product ONEU090520ZZTN4—M14; Dec. 2015.

(52) **U.S. Cl.**

Ingersoll product ONCU090612TN-W J; Dec. 2015.

USPC **D15/139**

Iscar product OHNU 0806AN-R-W; Dec. 2015.

(58) **Field of Classification Search**

USPC D8/70, 71; D15/138, 139, 140

CPC .. B23C 5/06; B23C 5/22; B23C 5/109; B23C

5/207; B23C 2200/16; B23C 2200/165;

B23C 2200/167; B23C 2200/0405; B23C

2200/0466; B23C 2210/168

See application file for complete search history.

Primary Examiner — Patricia A Palasik

(74) *Attorney, Agent, or Firm* — Larry R. Meenan

(57)

CLAIM

The ornamental design for a cutting insert with four-lobed seating area, as shown and described.

(56) **References Cited**

U.S. PATENT DOCUMENTS

4,627,317 A 12/1986 Komanduri et al.
4,971,483 A * 11/1990 Kress B23B 27/143
407/113

5,164,878 A 11/1992 Hauser
5,755,536 A 5/1998 Vollmer et al.
5,915,889 A * 6/1999 Kress B23B 27/141
407/114

6,079,912 A * 6/2000 Rothballer B23C 5/2213
407/114

D460,768 S * 7/2002 Svensson D15/139

DESCRIPTION

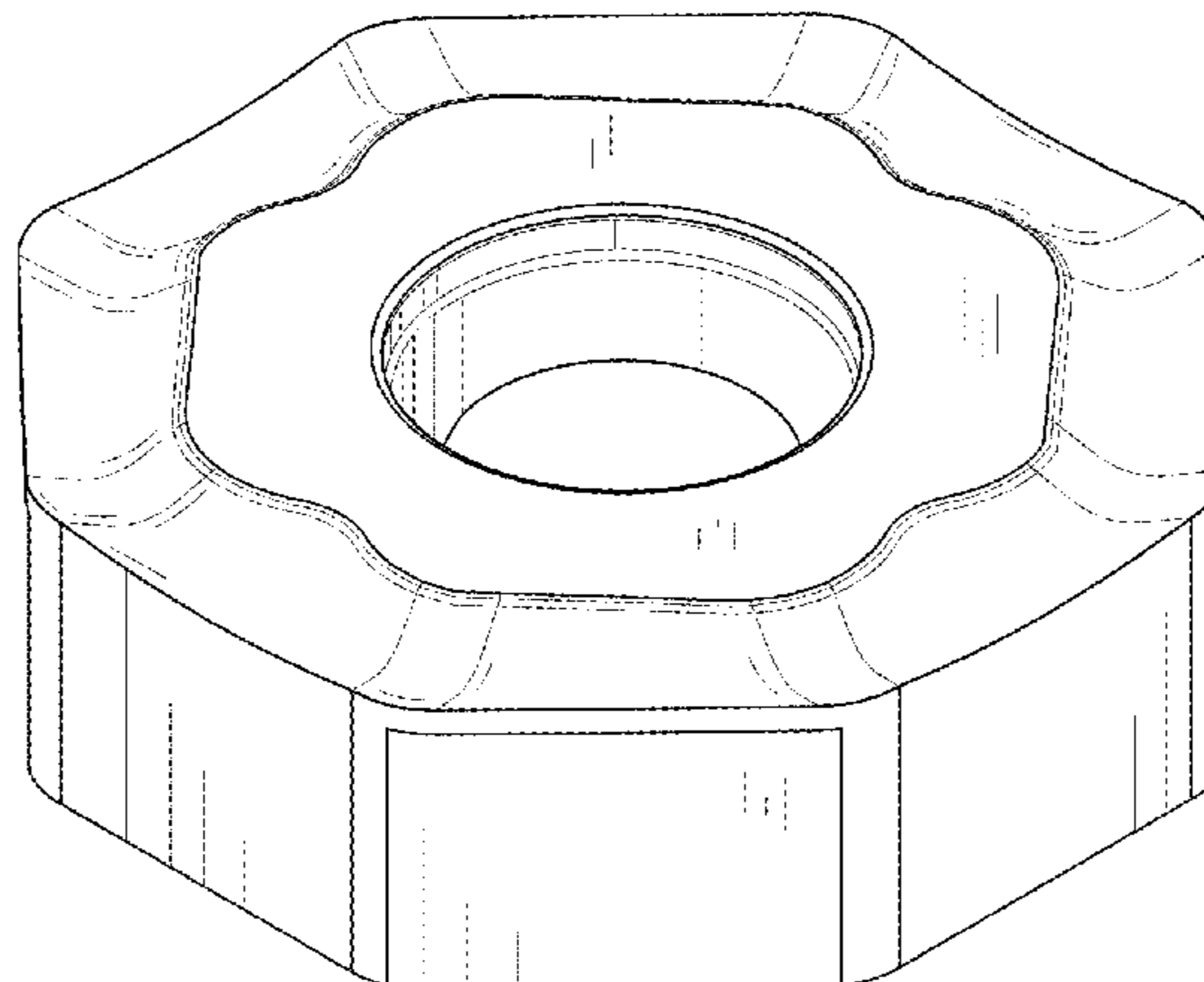
FIG. 1 is a perspective view showing the new design of the invention;

FIG. 2 is a front view, the rear view being identical to the front view;

FIG. 3 is top view; and,

FIG. 4 is a bottom view.

1 Claim, 4 Drawing Sheets



(56)

References Cited

U.S. PATENT DOCUMENTS

9,475,134 B2 10/2016 Satran et al.
D772,963 S * 11/2016 Nam D15/139
D804,552 S * 12/2017 Lee D15/139
2004/0007115 A1* 1/2004 Schwaner B23C 5/205
83/835
2006/0210364 A1 9/2006 Bellmann et al.
2017/0320145 A1* 11/2017 Pettersson B23C 5/22
2018/0009044 A1* 1/2018 Koifman B23C 5/109

FOREIGN PATENT DOCUMENTS

DE 4020171008610003 9/2017
EP 0084223 A2 7/1983

* cited by examiner

FIG. 1

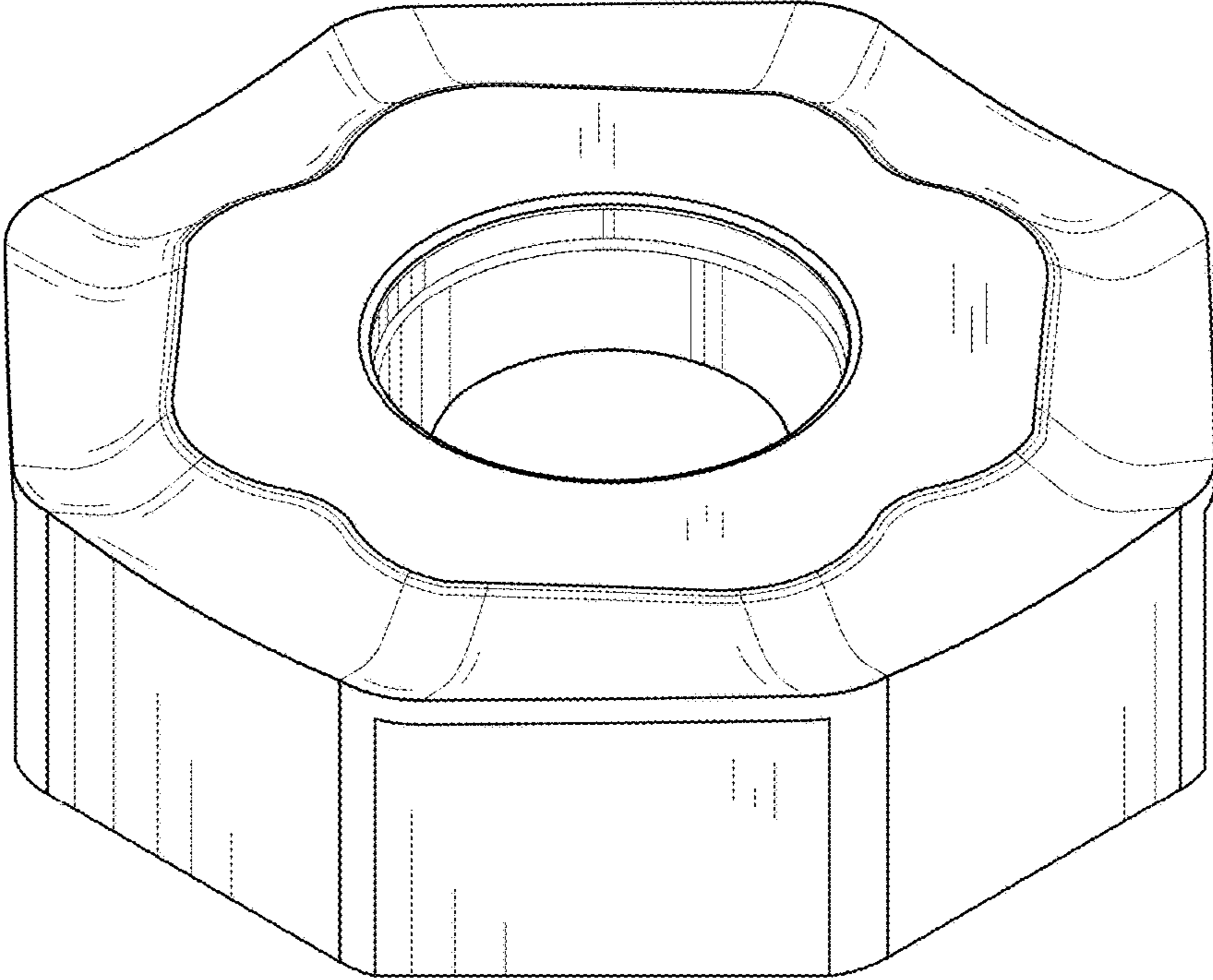


FIG. 2

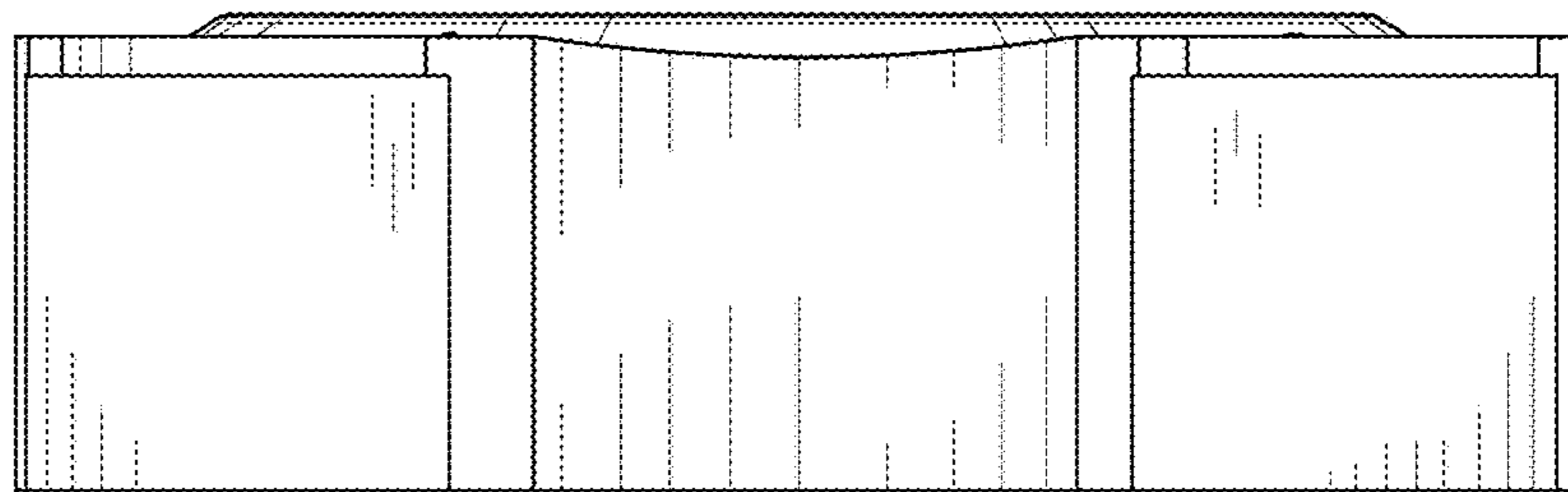


FIG. 3

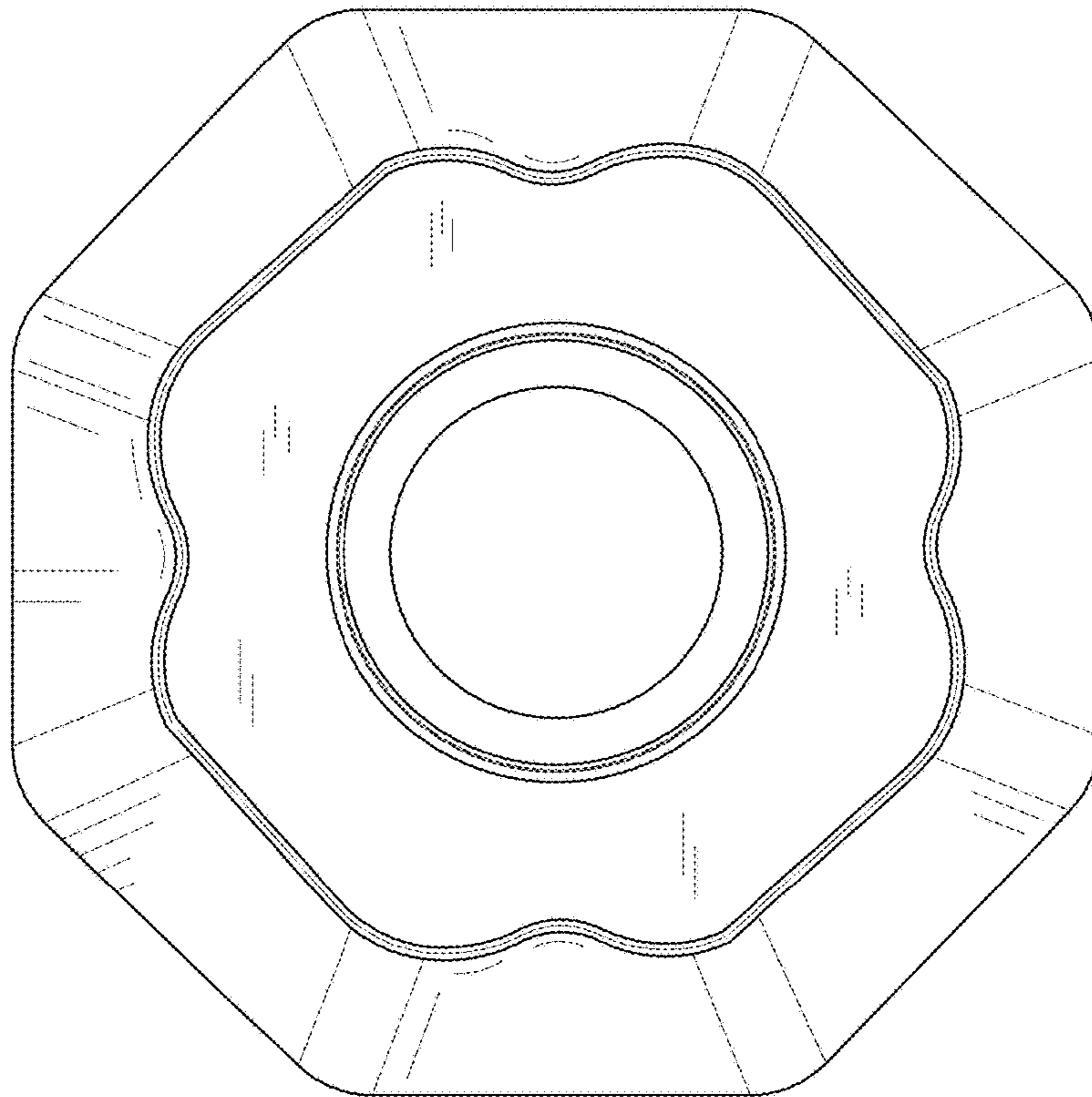


FIG. 4

