



US00D832318S

(12) **United States Design Patent**  
**Ota et al.**

(10) **Patent No.:** **US D832,318 S**  
(45) **Date of Patent:** **\*\* Oct. 30, 2018**

(54) **DRILL BIT TIP**  
(71) Applicant: **mitsubishi materials corporation**, Tokyo (JP)  
(72) Inventors: **Hiroshi Ota**, Anpachi-gun (JP);  
**Yasutaka Tomita**, Anpachi-gun (JP)  
(73) Assignee: **mitsubishi materials corporation**, Tokyo (JP)  
(\*\*) Term: **15 Years**

4,981,328 A \* 1/1991 Stiffler ..... E21B 10/56  
299/111  
5,025,875 A \* 6/1991 Witt ..... E21B 10/38  
175/393  
5,159,857 A \* 11/1992 Jurewicz ..... B22F 7/06  
76/108.2  
5,161,859 A \* 11/1992 Larsson ..... B28D 1/188  
299/111  
5,172,777 A \* 12/1992 Siracki ..... E21B 10/16  
175/374  
5,423,719 A \* 6/1995 Jennings ..... B23P 11/005  
407/33  
5,588,497 A \* 12/1996 Thorburn ..... E21B 10/56  
175/413

(21) Appl. No.: **29/590,668**

(Continued)

(22) Filed: **Jan. 12, 2017**

FOREIGN PATENT DOCUMENTS

(30) **Foreign Application Priority Data**

JP 1356849 S 4/2009  
JP 1365686 S 7/2009  
JP 1365912 S 7/2009

Jul. 14, 2016 (JP) ..... 2016-015112

(51) **LOC (11) Cl.** ..... **15-09**

*Primary Examiner* — Patricia A Palasik

(52) **U.S. Cl.**  
USPC ..... **D15/139**

(74) *Attorney, Agent, or Firm* — Locke Lord LLP

(58) **Field of Classification Search**  
USPC ..... D8/70; D15/131, 138, 139  
CPC ..... E21B 10/38; E21B 10/56  
See application file for complete search history.

(57) **CLAIM**

The ornamental design for a drill bit tip, as shown and described.

(56) **References Cited**

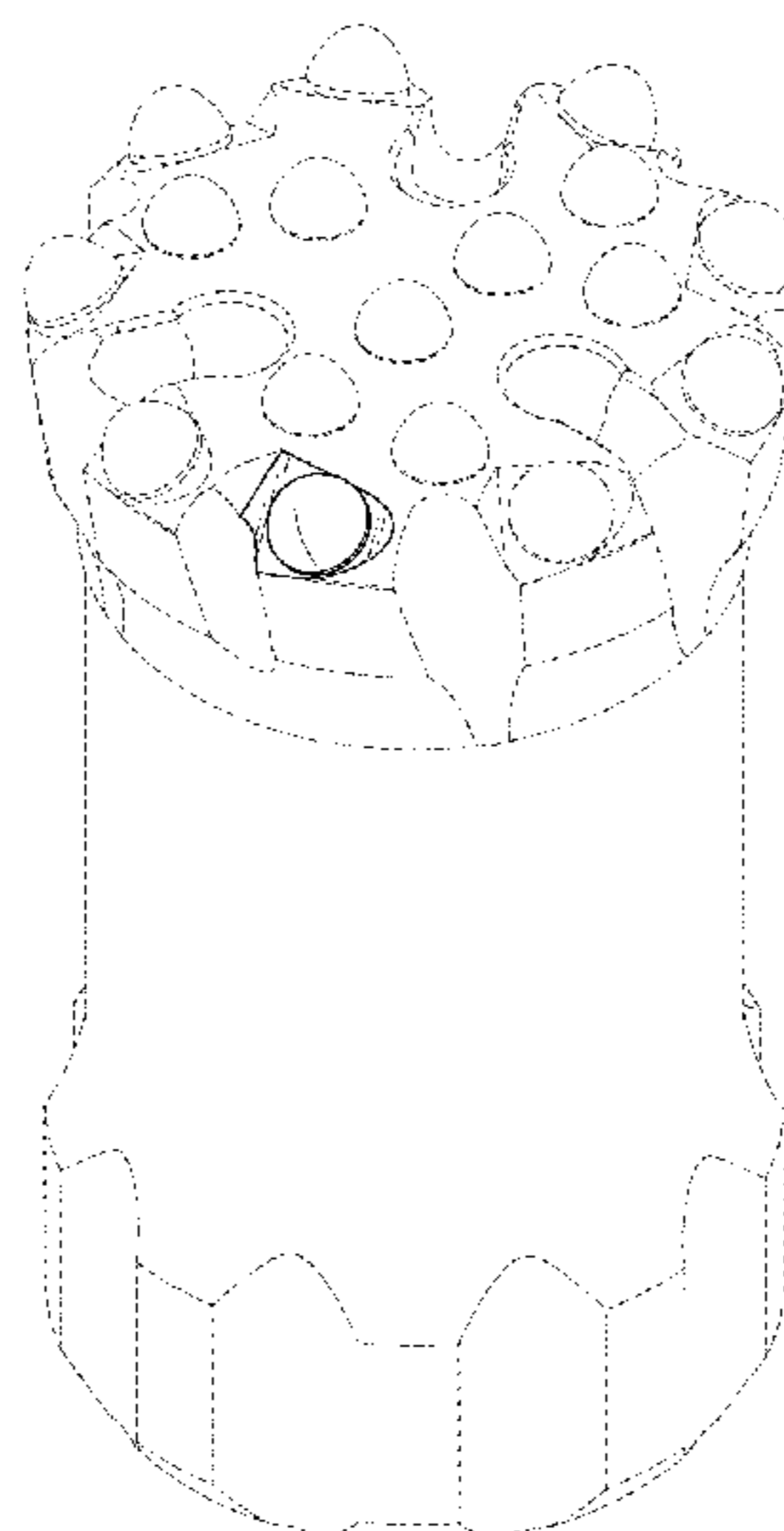
**DESCRIPTION**

U.S. PATENT DOCUMENTS

4,296,825 A \* 10/1981 Larsson ..... E21B 10/38  
175/417  
4,304,312 A \* 12/1981 Larsson ..... E21B 10/38  
175/400  
4,572,307 A \* 2/1986 Tunell ..... E21B 10/56  
175/417  
4,607,712 A \* 8/1986 Larsson ..... E21B 10/56  
175/426  
4,705,124 A \* 11/1987 Abrahamson ..... B21K 5/02  
175/426  
4,716,976 A \* 1/1988 Isakov ..... E21B 10/38  
175/415

FIG. 1 is a perspective view of a drill bit tip.  
FIG. 2 is a front elevation view thereof.  
FIG. 3 is a rear elevation view thereof.  
FIG. 4 is a left side elevation view thereof.  
FIG. 5 is a right side elevation view thereof.  
FIG. 6 is a top plan view thereof.  
FIG. 7 is a bottom plan view thereof; and,  
FIG. 8 is an enlarged perspective view near the portion for which registration is sought.  
The broken lines in the drawings depict unclaimed environmental subject matter.

**1 Claim, 8 Drawing Sheets**



(56)

**References Cited**

U.S. PATENT DOCUMENTS

5,794,728	A *	8/1998	Palmberg	.....	E21B 10/56 175/400	2005/0161264	A1 *	7/2005	Bjork	.....	E21B 10/56 175/418
5,845,547	A *	12/1998	Sollami	.....	E21B 10/56 175/420.1	2006/0060389	A1 *	3/2006	Hadin	.....	E21B 10/38 175/415
5,881,828	A *	3/1999	Fischer	.....	E21B 10/56 175/374	2006/0157285	A1 *	7/2006	Cannon	.....	E21B 10/36 175/374
5,890,551	A *	4/1999	Liljebrand	.....	E21B 10/56 175/414	2006/0162965	A1 *	7/2006	Hadin	.....	E21B 10/36 175/296
6,073,711	A *	6/2000	Ingmarsson	.....	E21B 10/56 175/420.2	2007/0137900	A1 *	6/2007	Bjork	.....	E21B 10/38 175/414
6,119,798	A *	9/2000	Fischer	.....	E21B 10/46 175/420.2	2010/0275425	A1 *	11/2010	Hall	.....	B23P 6/00 29/402.06
6,199,451	B1 *	3/2001	Sollami	.....	E21B 10/56 175/426	2012/0325558	A1 *	12/2012	Lundberg	.....	E21B 10/38 175/57
6,199,645	B1 *	3/2001	Anderson	.....	E21B 10/56 175/426	2013/0048387	A1 *	2/2013	Stenberg	.....	E21B 10/36 175/420.1
D454,143	S *	3/2002	Asberg	.....	D15/139	2014/0182939	A1 *	7/2014	Bhatia	.....	E21B 10/36 175/57
6,592,304	B1 *	7/2003	Kammerer	.....	B22F 7/06 403/268	2014/0291035	A1 *	10/2014	Seppala	.....	E21B 10/56 175/418
D574,403	S *	8/2008	Brady	.....	D15/139	2014/0361601	A1 *	12/2014	Bush	.....	E21B 10/56 299/105
D611,512	S *	3/2010	Sundin	.....	D15/139	2015/0060151	A1 *	3/2015	Fang	.....	E21B 10/46 175/430
D611,970	S *	3/2010	Sundin	.....	D15/139	2015/0308198	A1 *	10/2015	Cho	.....	E21B 10/43 175/426
D705,827	S *	5/2014	Hammargren	.....	D15/139	2016/0069134	A1 *	3/2016	Carlsson	.....	E21B 1/00 175/57
2002/0153174	A1 *	10/2002	Linden	.....	E21B 10/56 175/426	2016/0090791	A1 *	3/2016	Persson	.....	E21B 10/36 175/415
2004/0040752	A1 *	3/2004	Brandenberg	.....	B22D 19/06 175/420.1	2016/0273275	A1 *	9/2016	Mattson	.....	E21B 10/36
2004/0182610	A1 *	9/2004	Mocivnik	.....	E21B 10/56 175/415	2016/0348442	A1 *	12/2016	Rindeskar	.....	E21B 10/40
2005/0000317	A1 *	1/2005	Liang	.....	B22F 3/156 75/241						

\* cited by examiner

FIG. 1

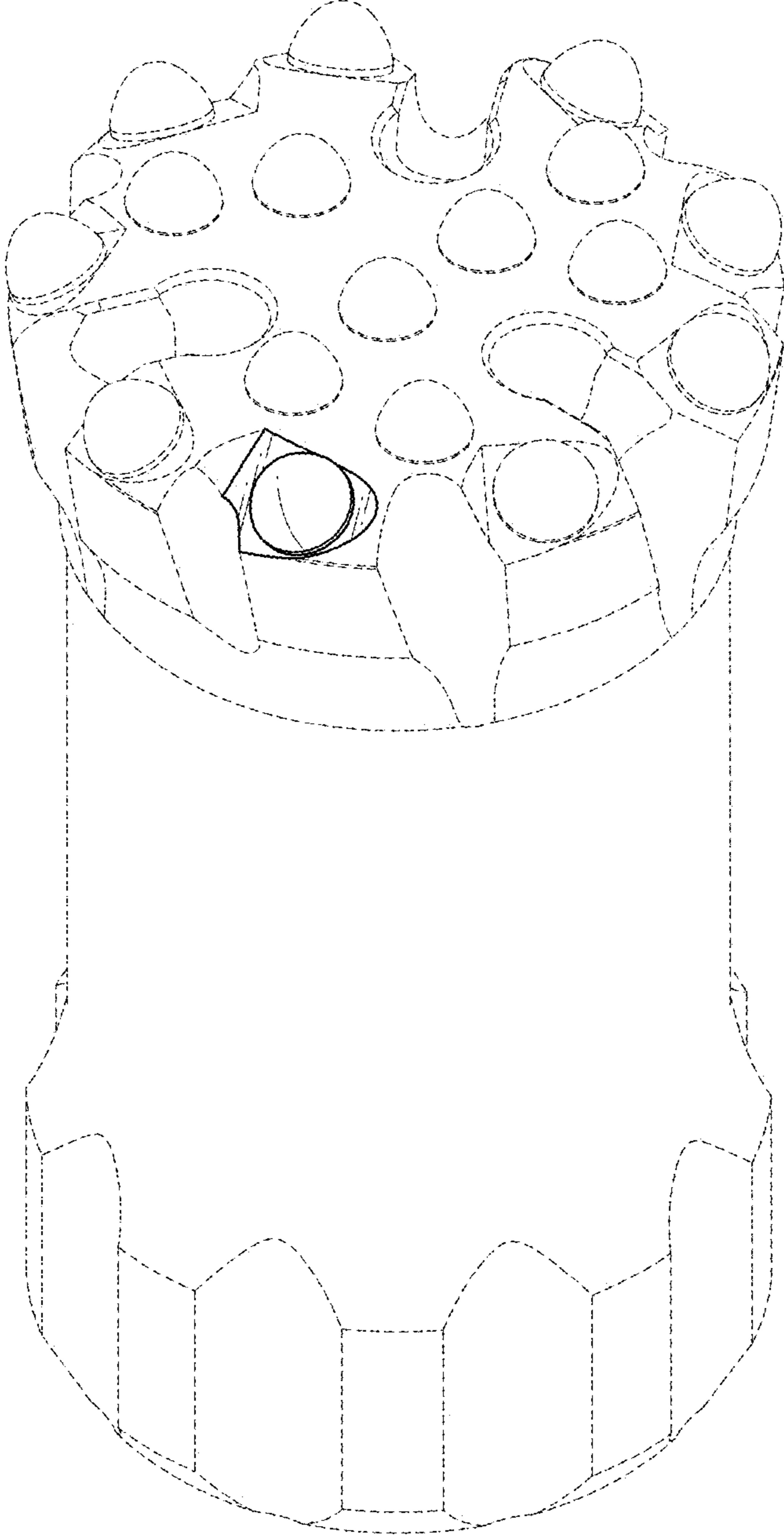


FIG. 2

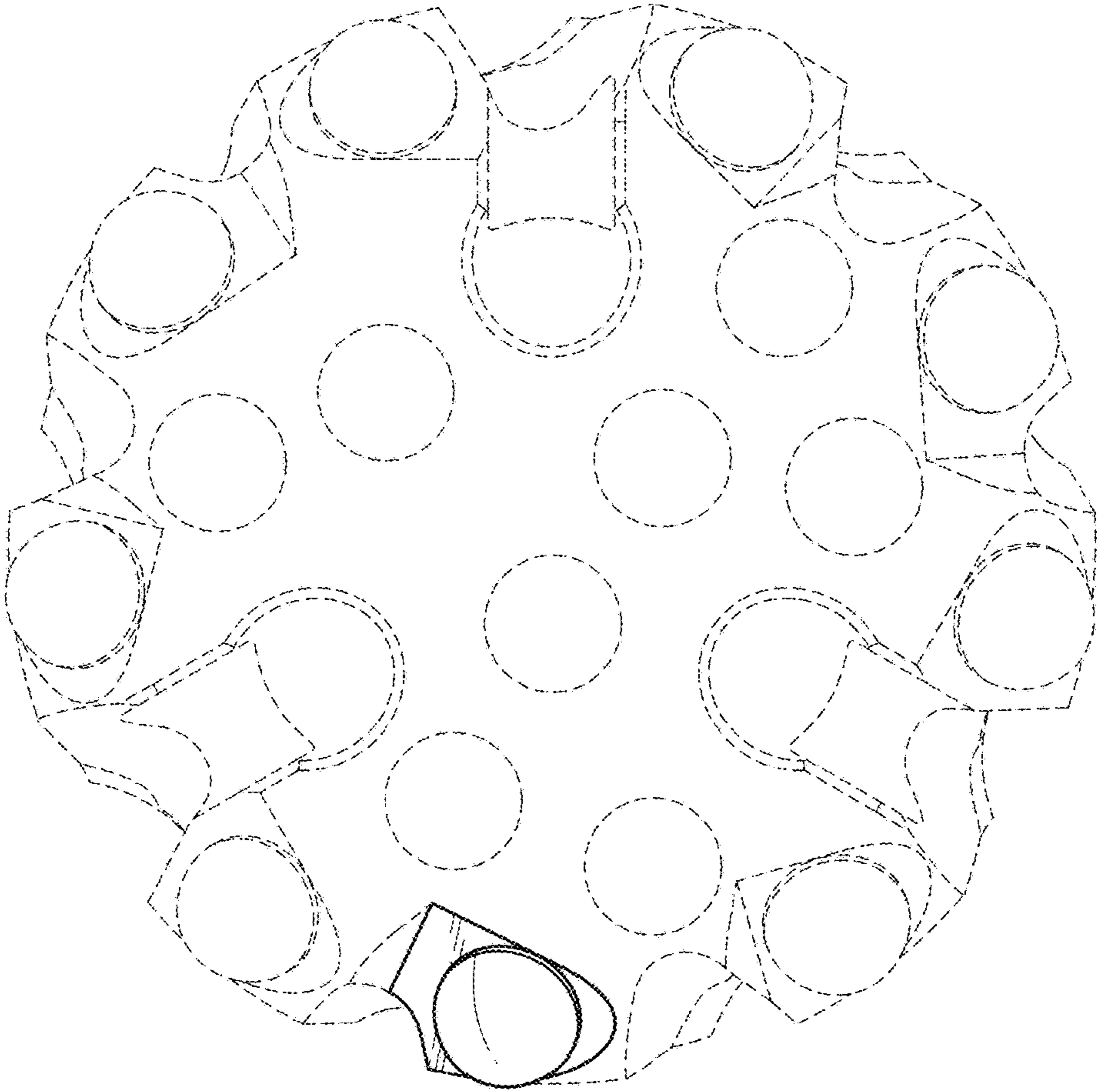


FIG. 3

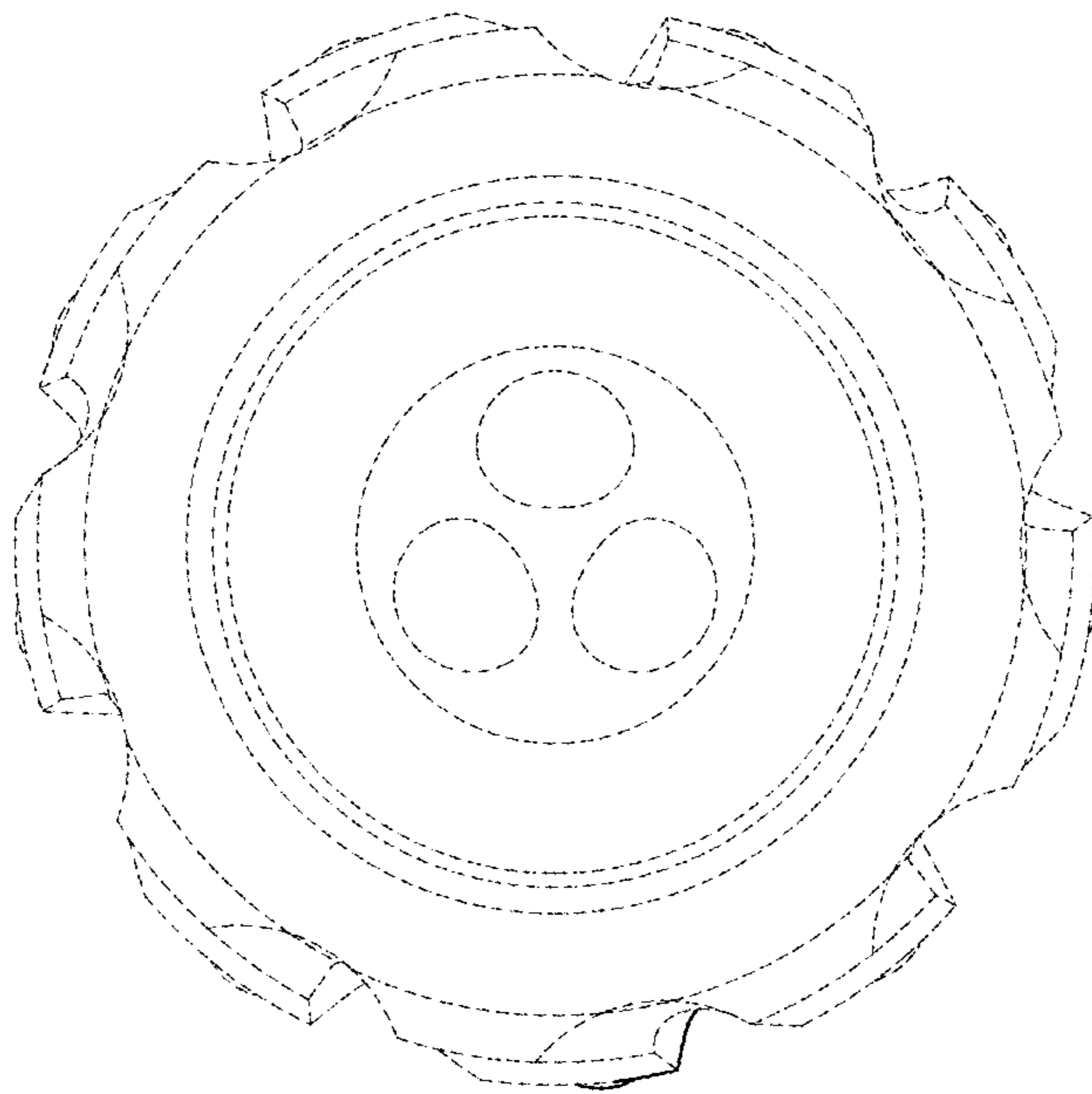


FIG. 4

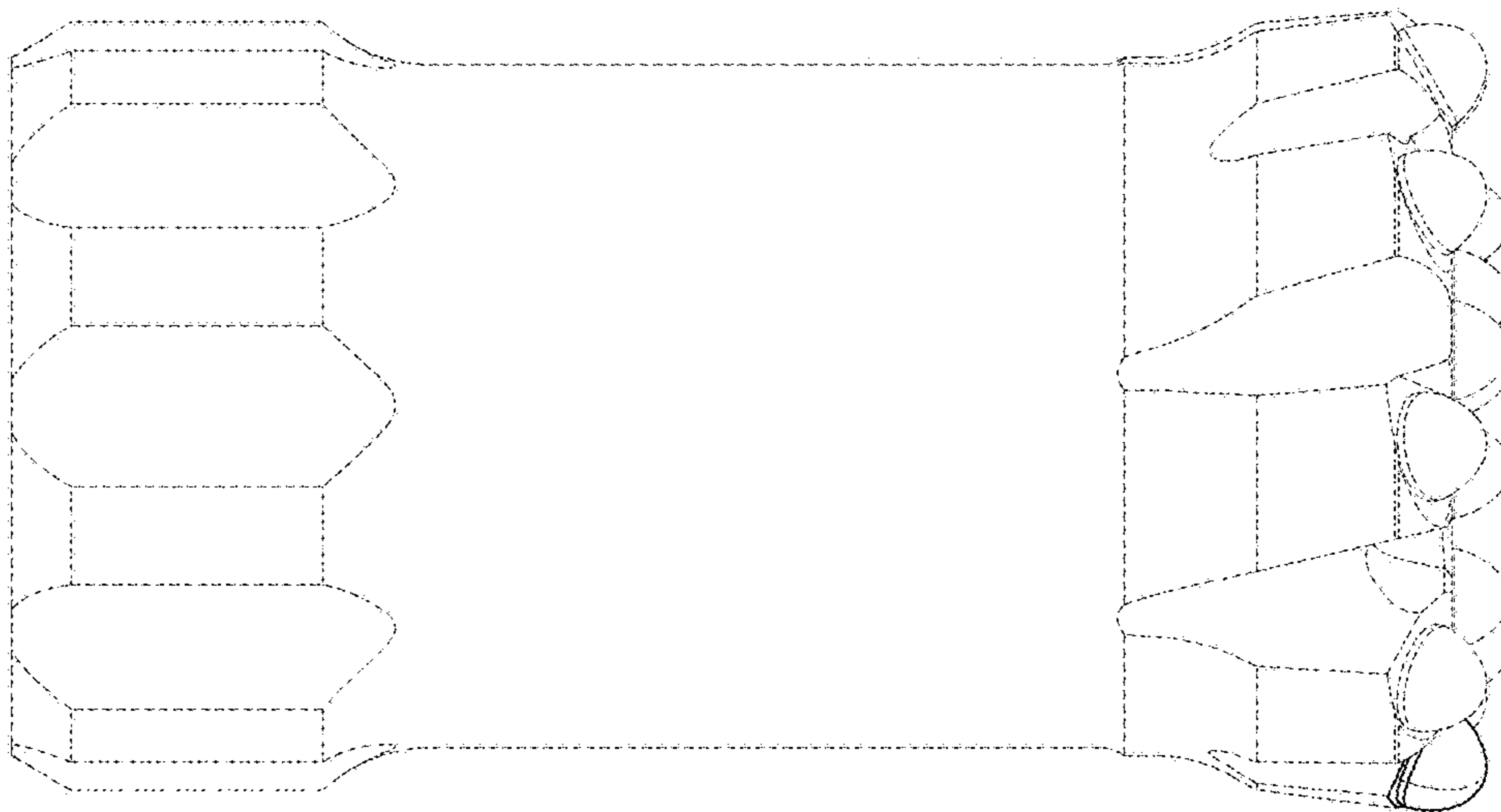


FIG. 5

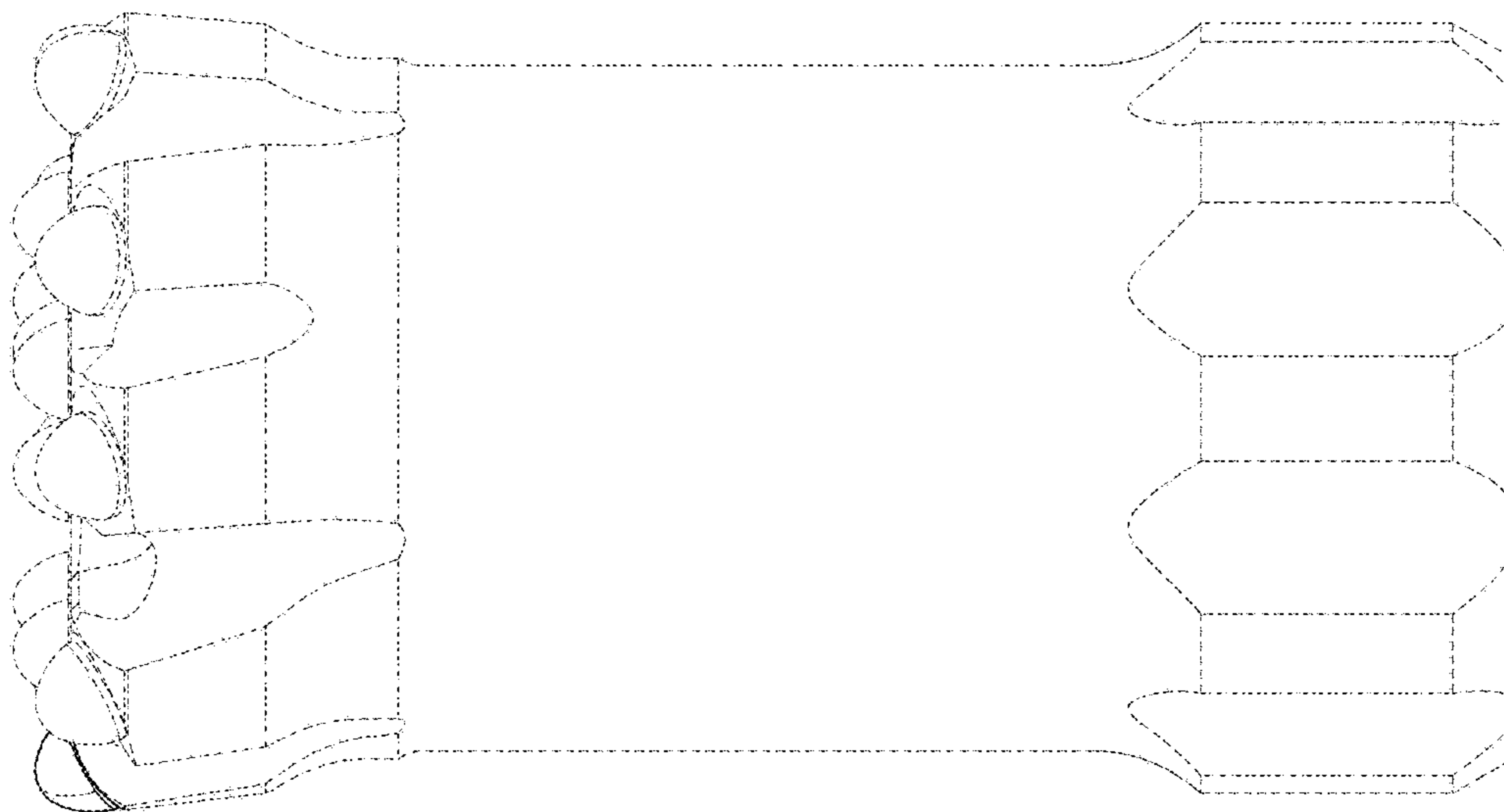


FIG. 6

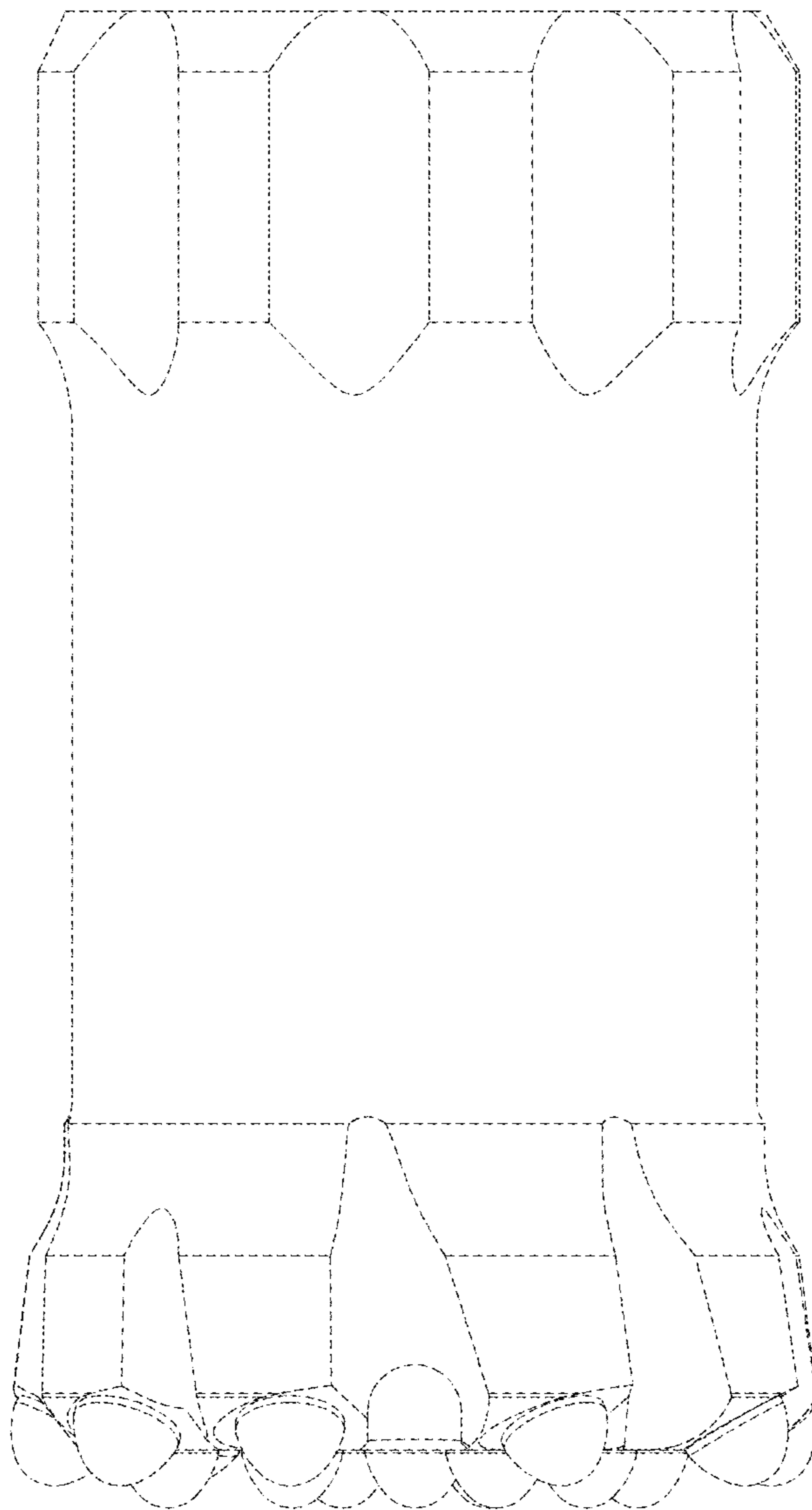




FIG. 7

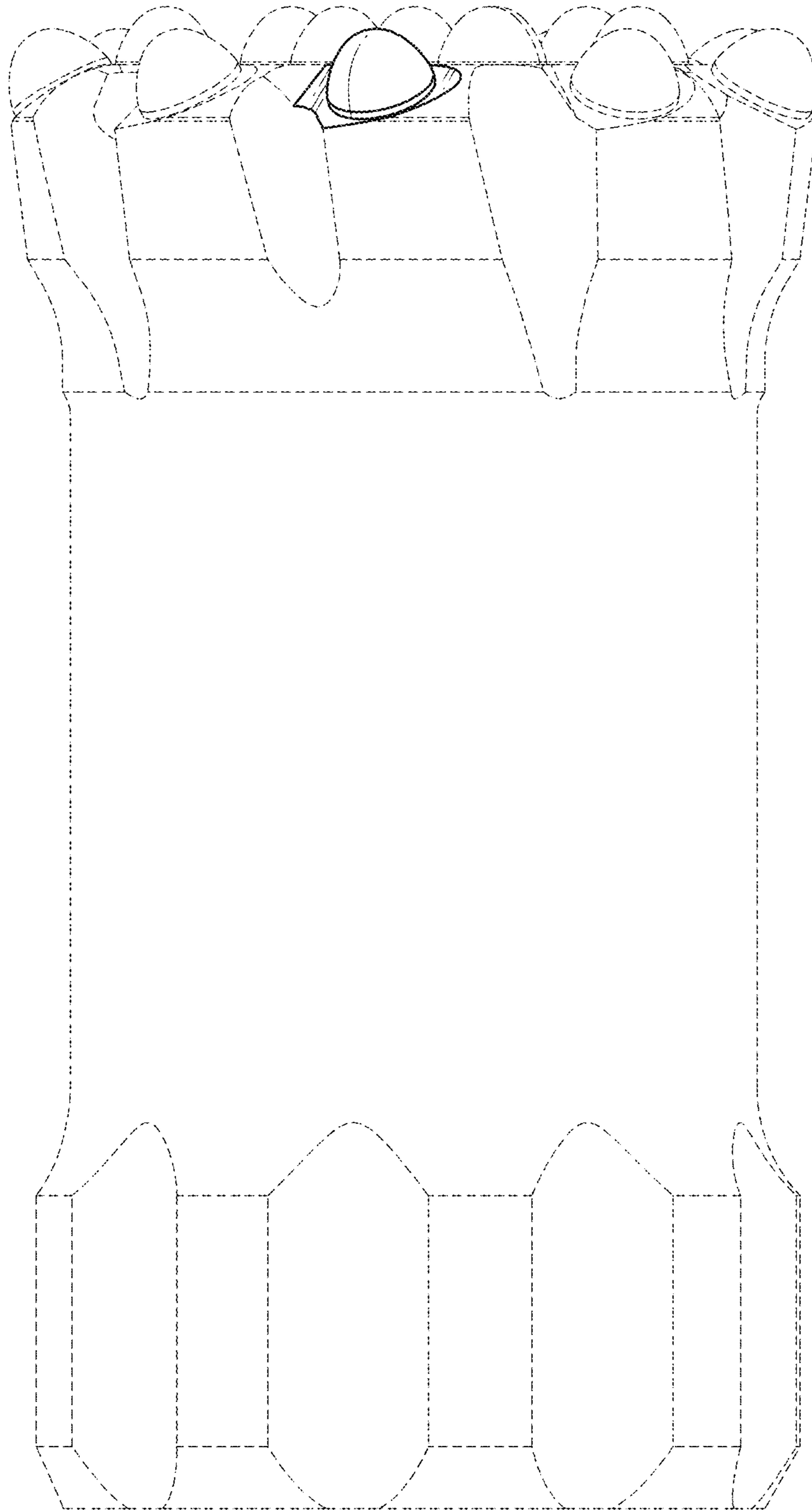


FIG. 8

