



US00D832317S

(12) **United States Design Patent** (10) **Patent No.:** **US D832,317 S**  
**Abe et al.** (45) **Date of Patent:** **\*\* Oct. 30, 2018**

(54) **CUTTING TOOL**

(71) Applicant: **SUMITOMO ELECTRIC HARDMETAL CORP.**, Itami-shi (JP)

(72) Inventors: **Makoto Abe**, Willich (DE); **Christoph Zeiner**, Willich (DE)

(73) Assignee: **SUMITOMO ELECTRIC HARDMETAL CORP.**, Itami-shi (JP)

(\*\*) Term: **15 Years**

(21) Appl. No.: **29/561,724**

(22) Filed: **Apr. 19, 2016**

(30) **Foreign Application Priority Data**

Oct. 19, 2015 (JP) ..... 2015-023064  
 Feb. 17, 2016 (JP) ..... 2016-003369

(51) **LOC (11) Cl.** ..... **15-09**

(52) **U.S. Cl.**  
USPC ..... **D15/139**

(58) **Field of Classification Search**  
 USPC ..... 8/20, 70; 15/123, 124, 126, 131, 138, 15/139  
 CPC ..... B23B 27/14; B23B 27/22; B23B 27/045; B23B 27/141; B23B 27/143; B23B 2200/321; B29B 9/06; B29C 47/0066  
 See application file for complete search history.

(56) **References Cited**

**U.S. PATENT DOCUMENTS**

3,548,473 A \* 12/1970 Stein ..... B23B 27/002 407/117  
 3,654,681 A \* 4/1972 Stein ..... B23B 27/045 407/115

D399,400 S \* 10/1998 Weber ..... D8/70  
 D444,486 S \* 7/2001 Biller ..... D15/139  
 D712,942 S \* 9/2014 Zeiner ..... D15/139  
 D772,316 S \* 11/2016 Johnson ..... D15/139  
 D772,317 S \* 11/2016 Johnson ..... D15/139  
 2015/0000481 A1\* 1/2015 Zeiner ..... B23D 37/005 82/1.11

**OTHER PUBLICATIONS**

Design U.S. Appl. No. 29/601,119, filed Apr. 19, 2017.  
 Design U.S. Appl. No. 29/628,281, filed Dec. 4, 2017.  
 Notice of Allowance dated Jun. 6, 2018 in Design U.S. Appl. No. 29/601,119.

\* cited by examiner

*Primary Examiner* — Patricia A Palasik

(74) *Attorney, Agent, or Firm* — Venable LLP; Michael A. Sartori; Laura G. Remus

(57) **CLAIM**

The ornamental design for a cutting tool, as shown and described.

**DESCRIPTION**

FIG. 1 is a front view of the embodiment of a cutting tool showing our new design;  
 FIG. 2 is a rear view thereof;  
 FIG. 3 is a top view thereof;  
 FIG. 4 is a bottom view thereof;  
 FIG. 5 is a right side view thereof;  
 FIG. 6 is a left side view thereof;  
 FIG. 7 is a perspective view thereof; and,  
 FIG. 8 is a cross sectional view taken along line VIII-VIII of FIG. 1.

The broken lines shown in the drawings represent portions of the cutting tool that form no part of the claimed design.

**1 Claim, 4 Drawing Sheets**

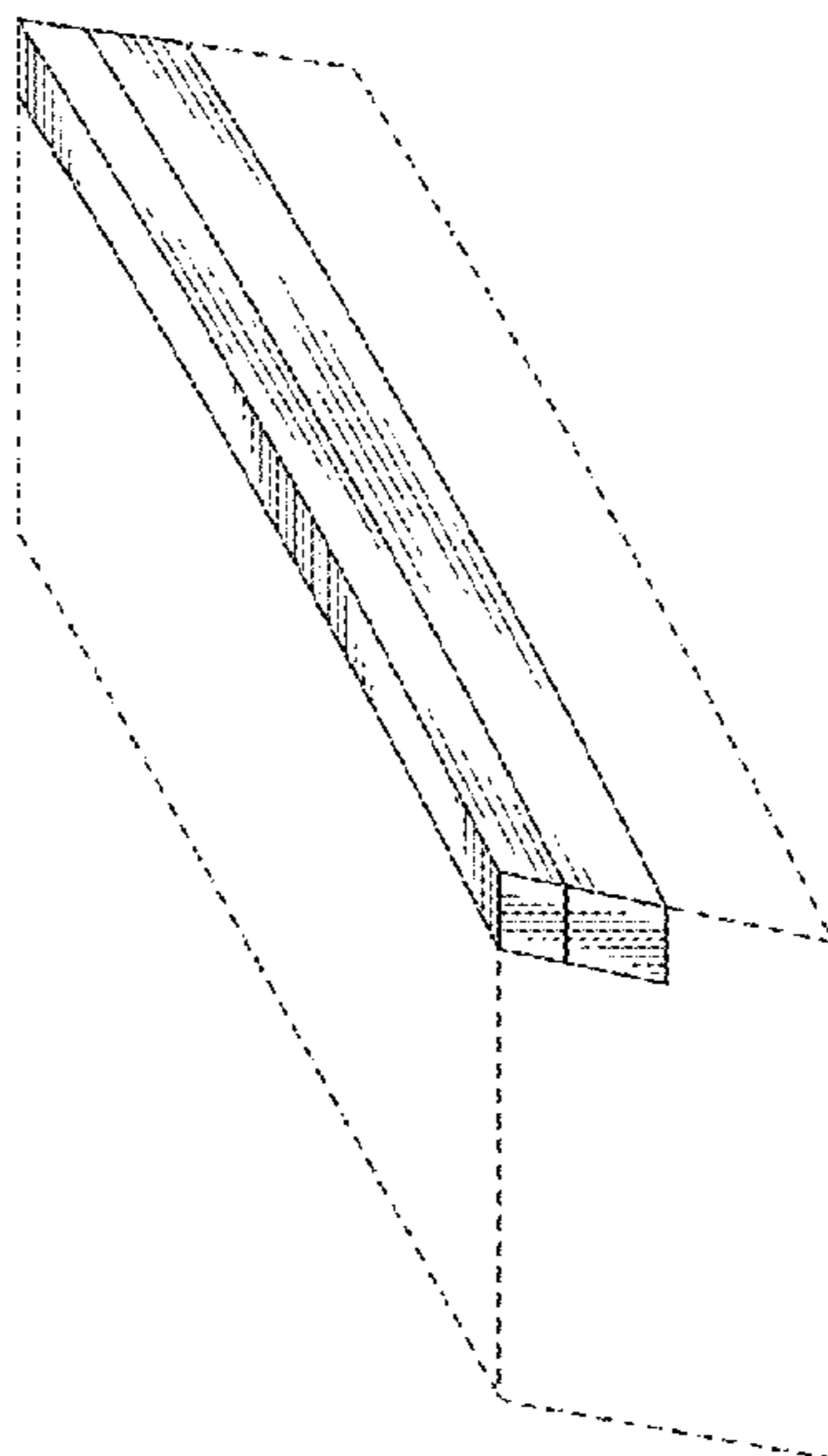


FIG.1

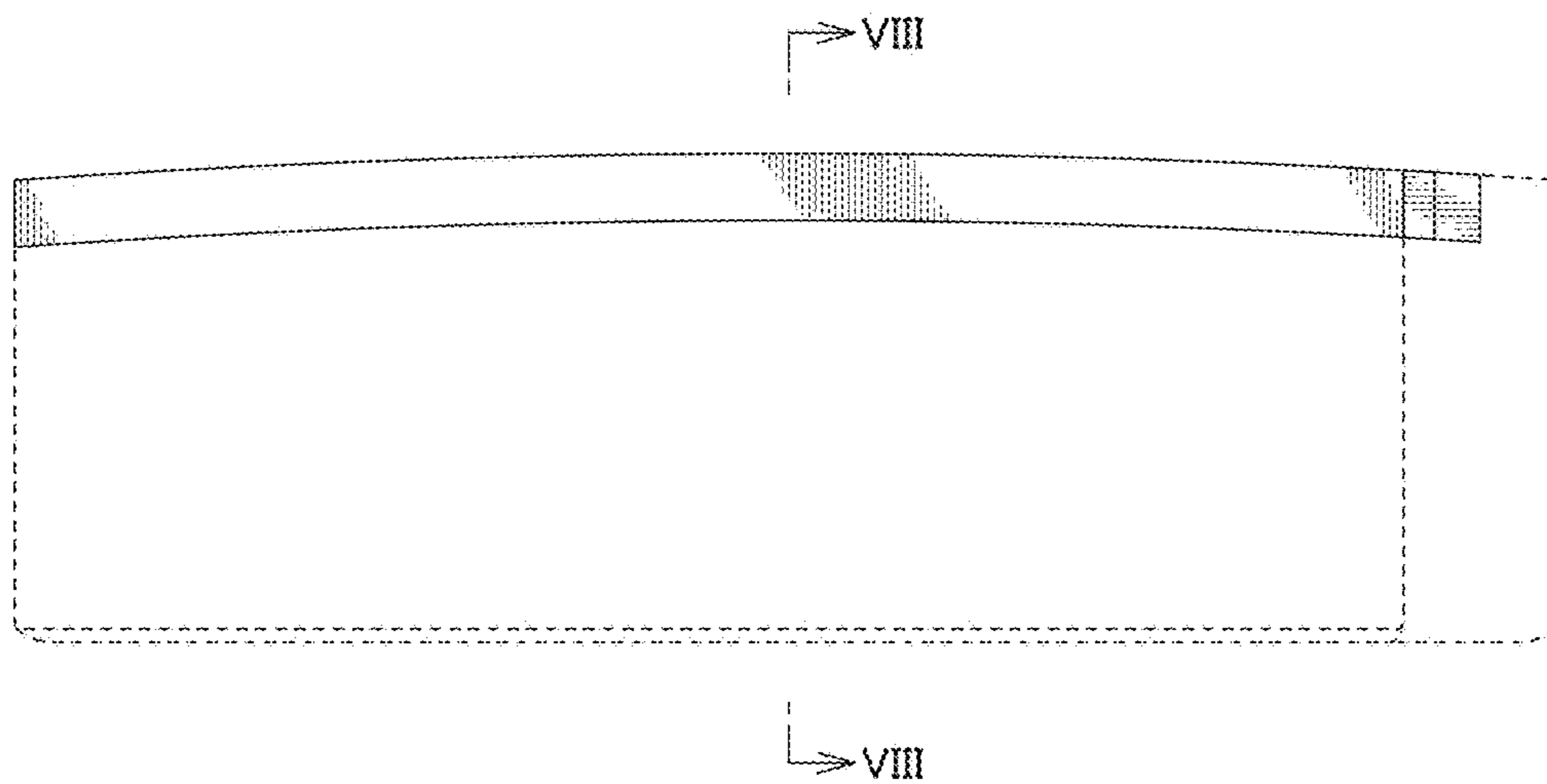


FIG.2

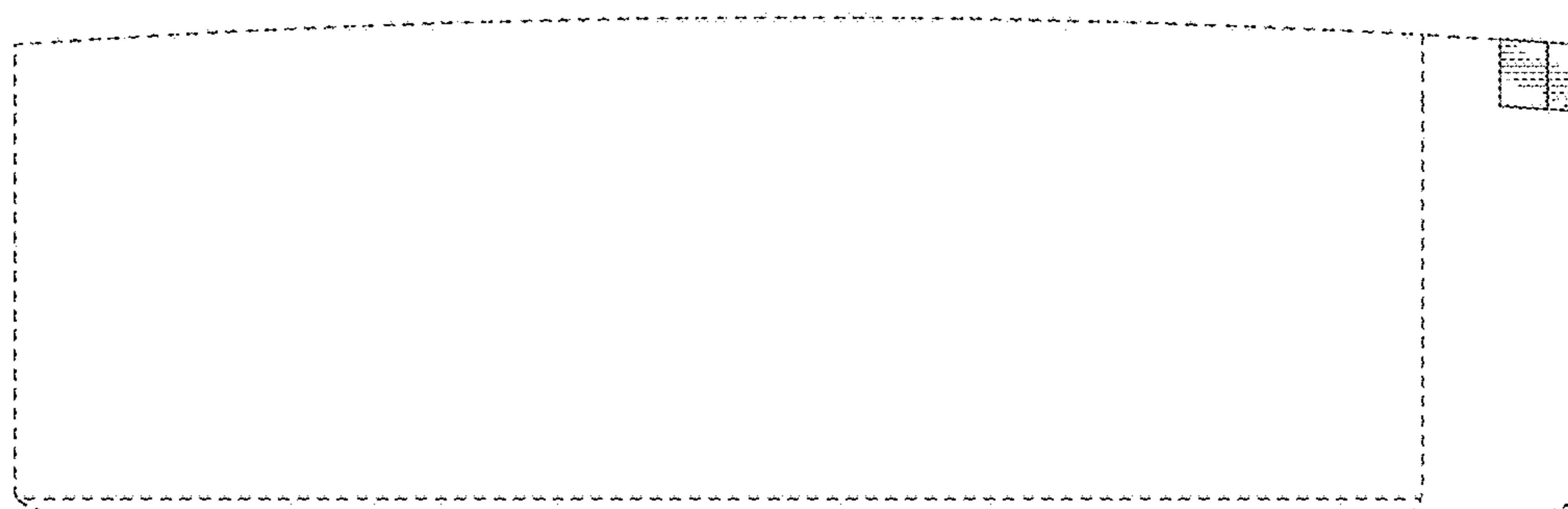


FIG.3

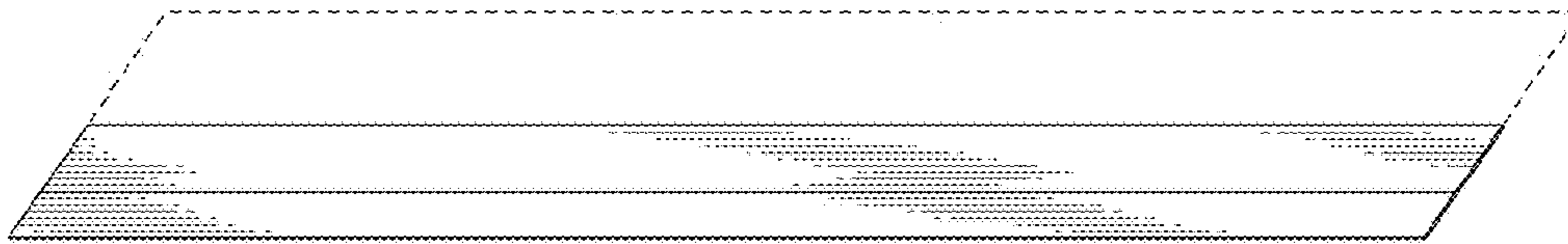


FIG.4

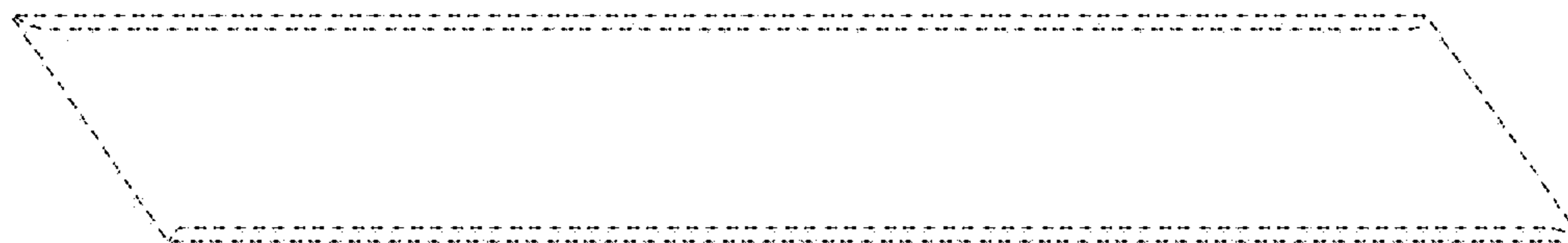


FIG.5

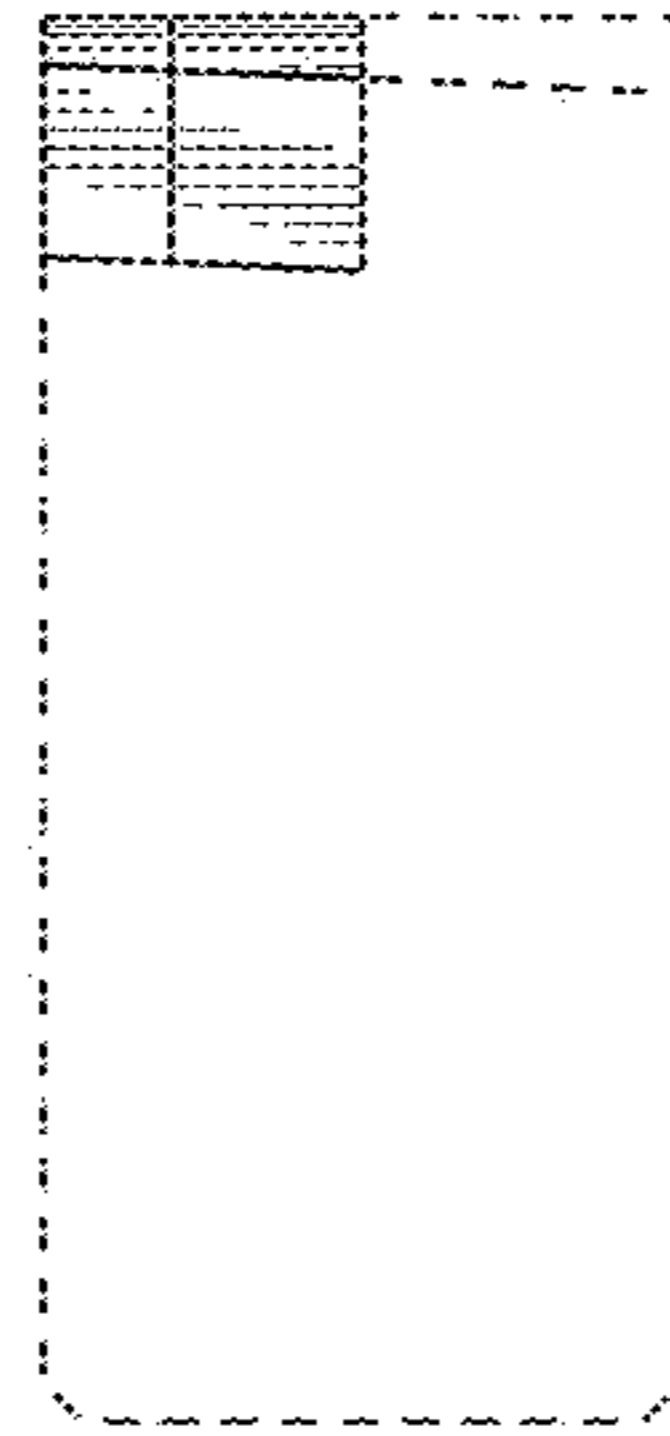


FIG.6

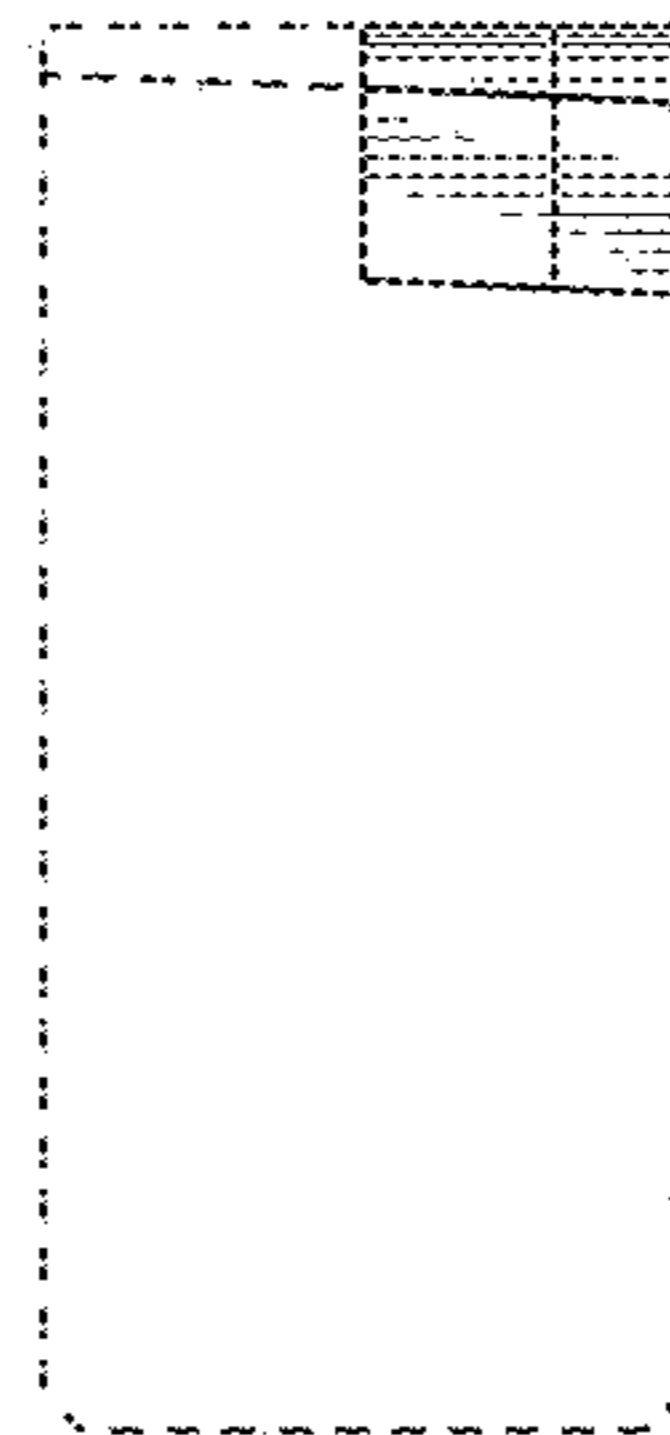


FIG.7

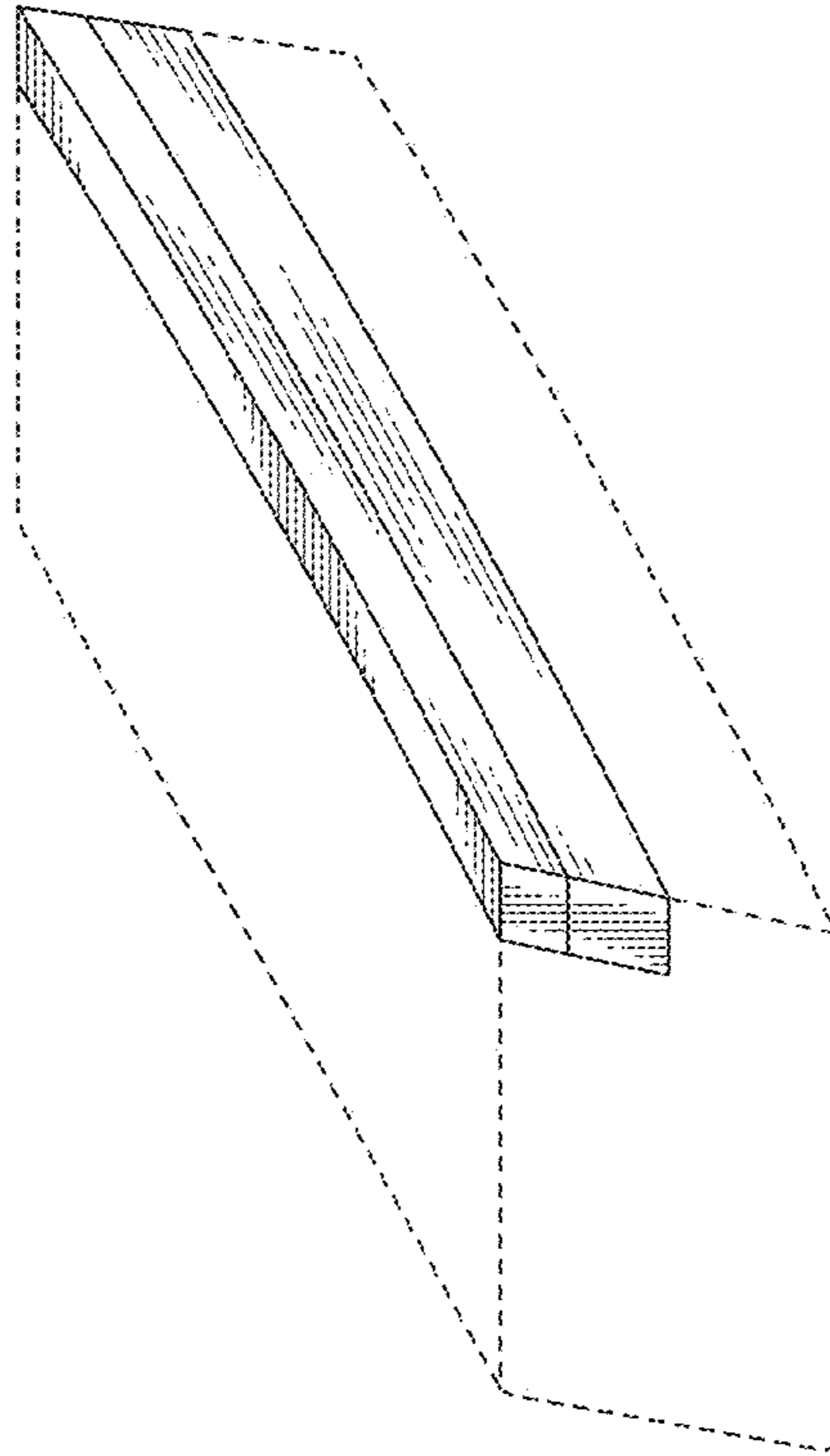


FIG.8

