



US00D832316S

(12) **United States Design Patent**  
**Rosen**

(10) **Patent No.:** **US D832,316 S**

(45) **Date of Patent:** **\*\* Oct. 30, 2018**

(54) **ICE AUGER**

(71) Applicant: **Rapala VMC Corporation**, Helsinki (FI)

(72) Inventor: **Bart Rosen**, Lakeville, MN (US)

(73) Assignee: **Rapala VMC Corporation**, Helsinki (FI)

(\*\*) Term: **15 Years**

(21) Appl. No.: **29/593,229**

(22) Filed: **Feb. 7, 2017**

(51) **LOC (11) Cl.** ..... **15-09**

(52) **U.S. Cl.**  
USPC ..... **D15/138; D8/8**

(58) **Field of Classification Search**  
USPC ..... D8/8, 87; D15/20, 21, 138, 147  
CPC ..... B25F 5/02; E21B 7/008  
See application file for complete search history.

(56) **References Cited**

**U.S. PATENT DOCUMENTS**

|           |     |         |              |       |                       |
|-----------|-----|---------|--------------|-------|-----------------------|
| 2,885,861 | A * | 5/1959  | Jackson      | ..... | E01C 19/40<br>404/96  |
| D215,497  | S * | 10/1969 | Frohuauer    | ..... | D15/147               |
| 5,349,785 | A * | 9/1994  | Nickels, Jr. | ..... | B24B 23/03<br>15/97.1 |
| 5,673,761 | A * | 10/1997 | Berner       | ..... | B25F 5/02<br>175/18   |
| D392,172  | S * | 3/1998  | Havel        | ..... | D8/107                |
| 5,950,738 | A * | 9/1999  | Caswell      | ..... | A01K 97/01<br>175/18  |
| D495,343  | S * | 8/2004  | Tomazevic    | ..... | D15/19                |
| D541,310  | S * | 4/2007  | Zagorov      | ..... | D15/147               |

|              |      |         |             |       |                         |
|--------------|------|---------|-------------|-------|-------------------------|
| D542,810     | S *  | 5/2007  | Tanaka      | ..... | D15/147                 |
| 7,228,921    | B1 * | 6/2007  | Houg        | ..... | E21B 12/04<br>175/18    |
| D638,861     | S *  | 5/2011  | Bartl       | ..... | D15/20                  |
| D653,678     | S *  | 2/2012  | Bartl       | ..... | D15/20                  |
| 9,528,319    | B1 * | 12/2016 | Dostal      | ..... | E21B 10/44              |
| 9,561,546    | B1 * | 2/2017  | Walter      | ..... | B23B 39/00              |
| 9,580,879    | B1 * | 2/2017  | Williams    | ..... | E02D 3/074              |
| 2006/0254818 | A1 * | 11/2006 | Pepple      | ..... | A01K 97/01<br>175/18    |
| 2009/0208297 | A1 * | 8/2009  | Schulenberg | ..... | E01C 19/36<br>405/271   |
| 2010/0224746 | A1 * | 9/2010  | Johnson     | ..... | E21B 7/008<br>248/205.1 |
| 2015/0361724 | A1 * | 12/2015 | Feldmann    | ..... | E21B 7/008<br>175/18    |

\* cited by examiner

*Primary Examiner* — Patricia A Palasik  
(74) *Attorney, Agent, or Firm* — Dority & Manning, PA

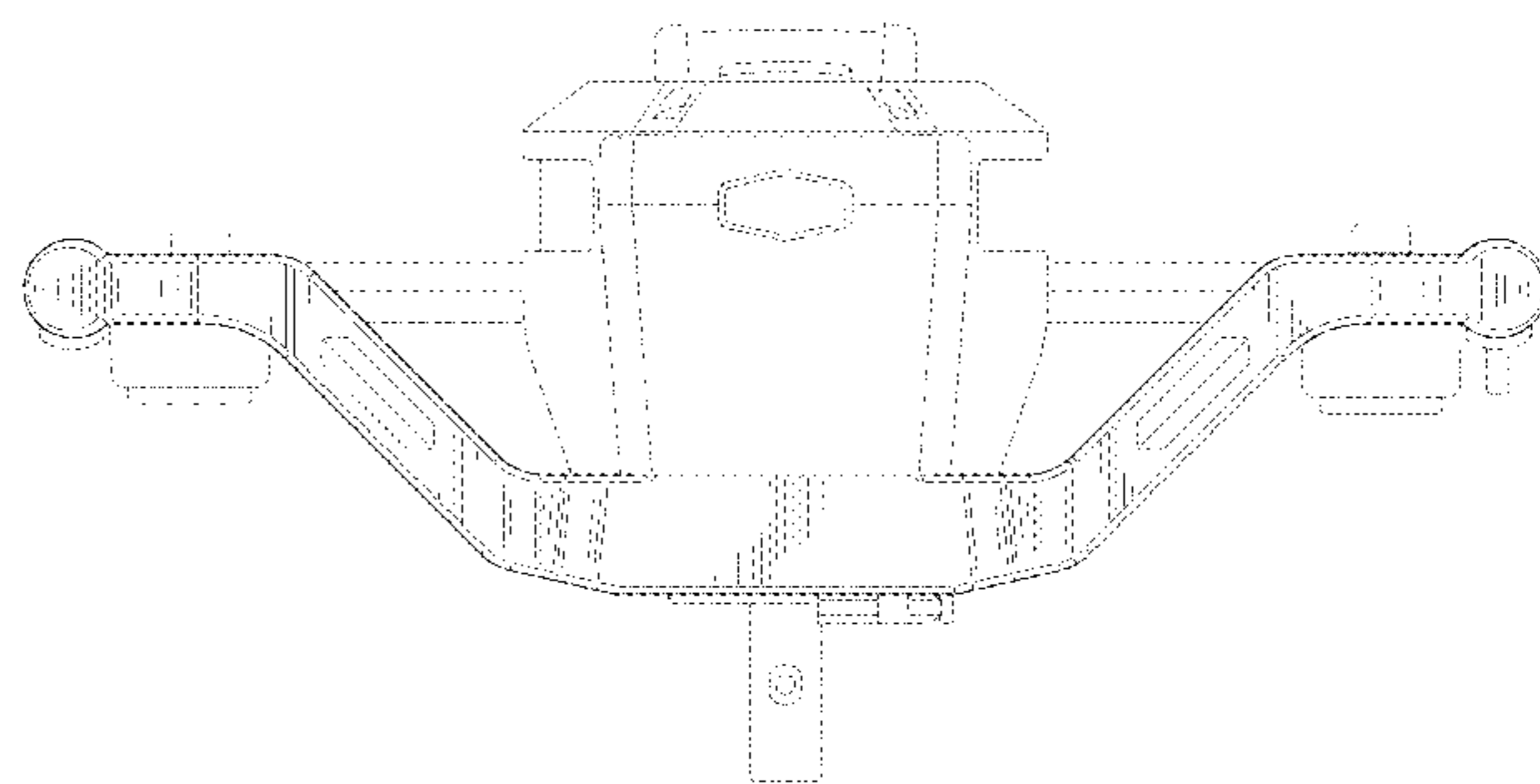
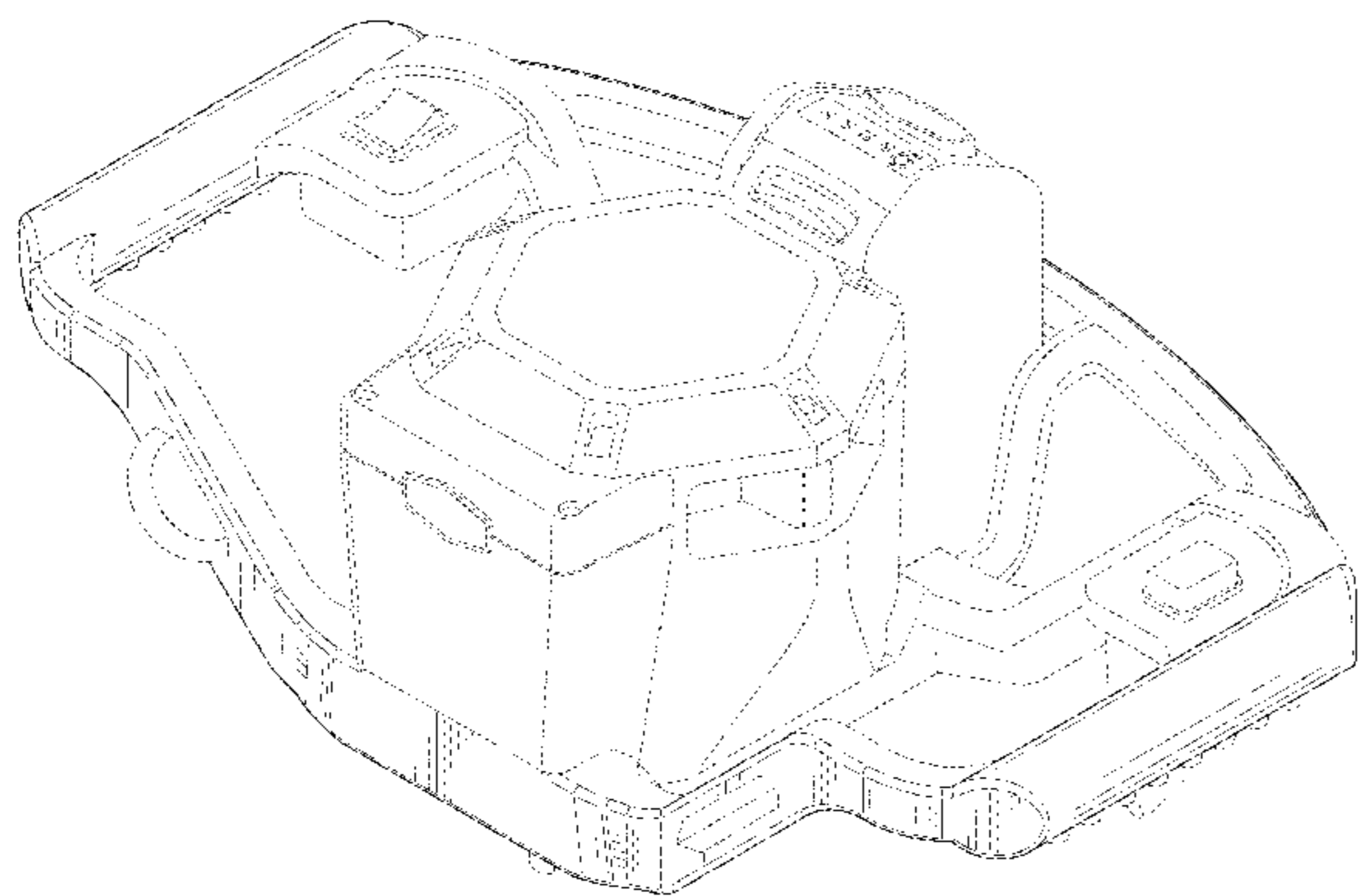
(57) **CLAIM**

The ornamental design for an ice auger, as shown and described.

**DESCRIPTION**

FIG. 1 is a perspective view of the ice auger according to the present invention;  
FIG. 2 is a front view of the ice auger of FIG. 1;  
FIG. 3 is a rear view of the ice auger of FIG. 1;  
FIG. 4 is a side view of the ice auger of FIG. 1;  
FIG. 5 is another side view of the ice auger of FIG. 1;  
FIG. 6 is a top view of the ice auger of FIG. 1; and,  
FIG. 7 is a bottom view of the ice auger of FIG. 1.  
The broken lines in FIGS. 1-7 depict unclaimed environmental subject matter.

**1 Claim, 7 Drawing Sheets**



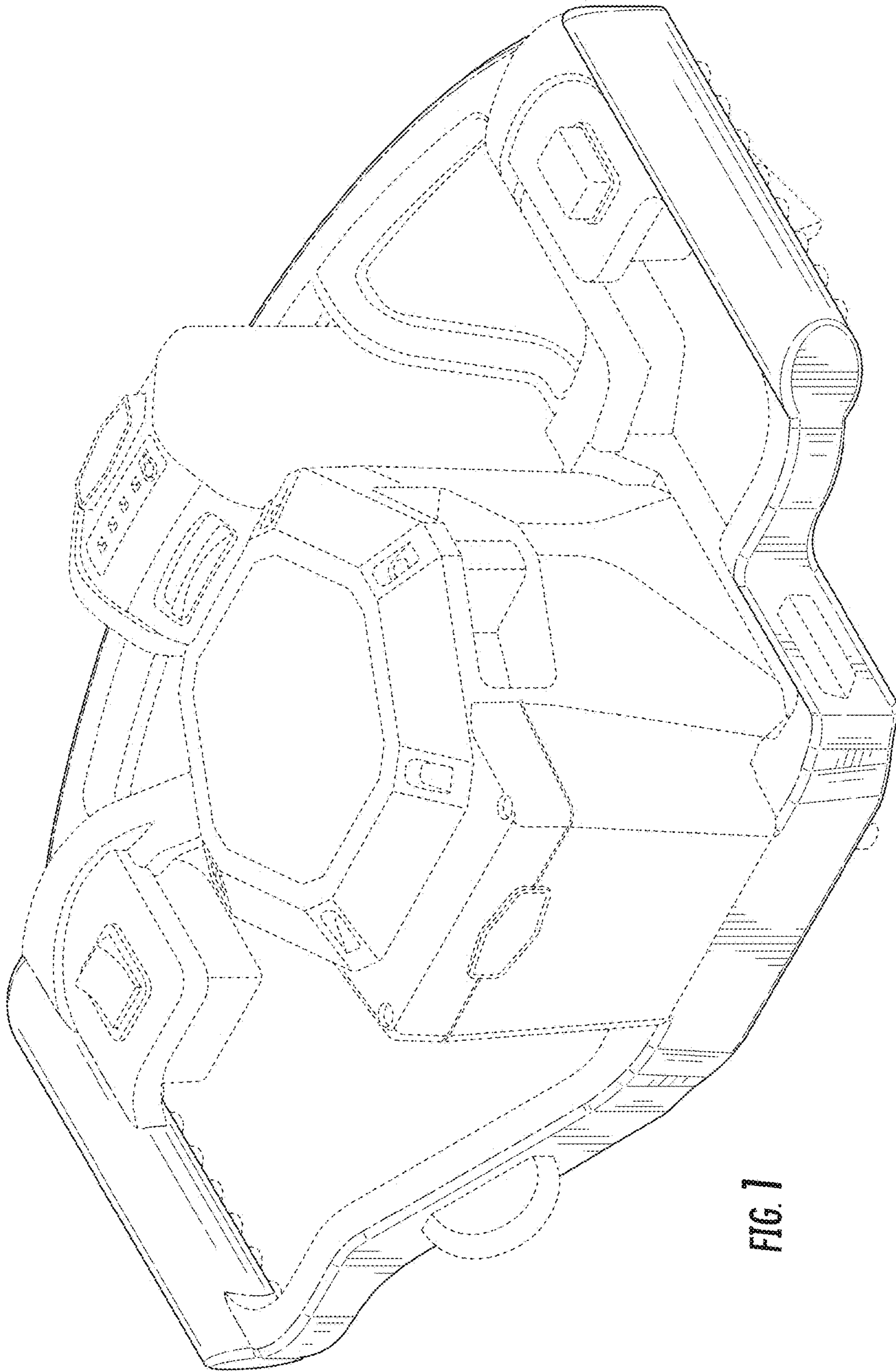


FIG. 1

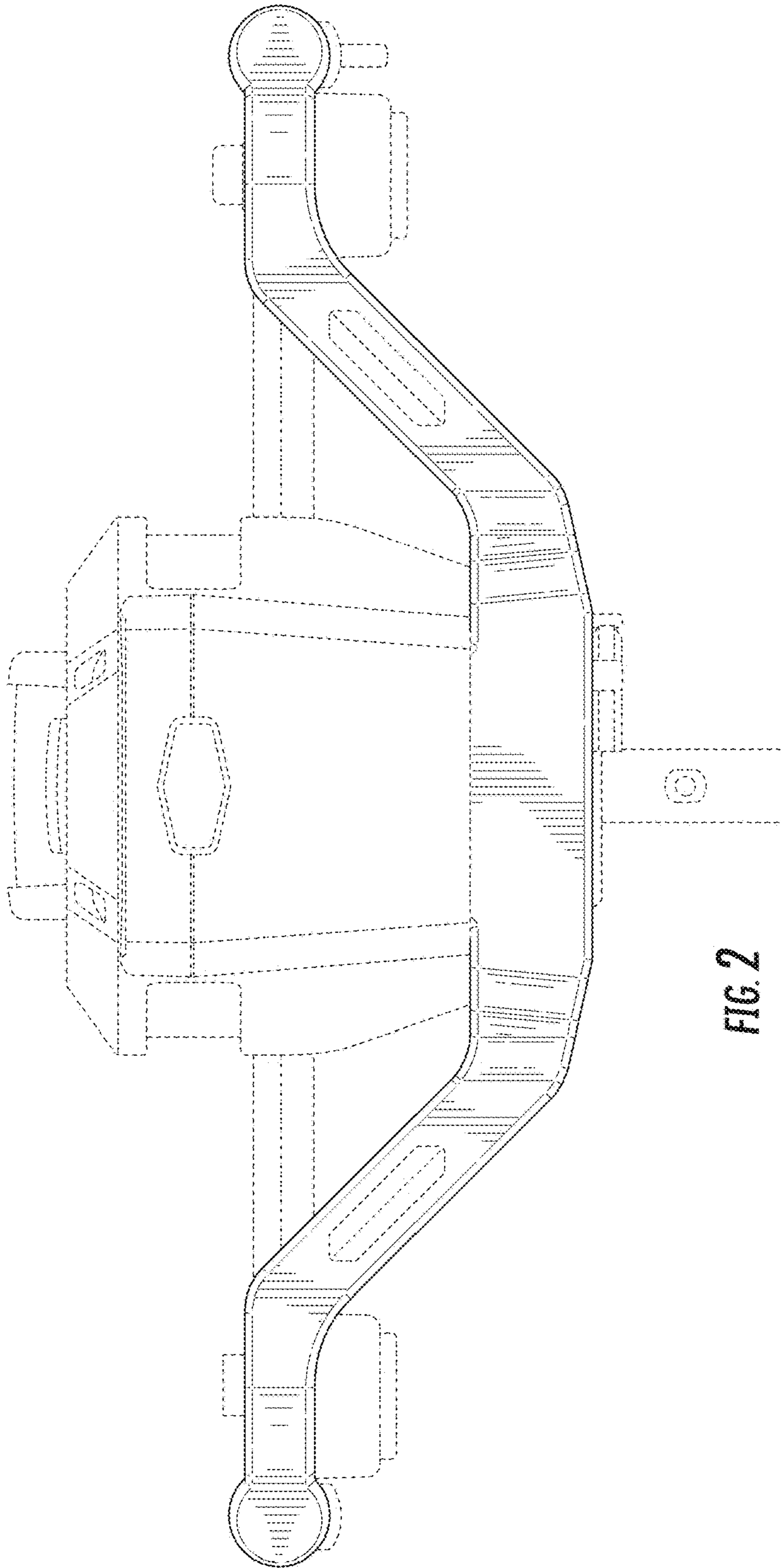


FIG. 2

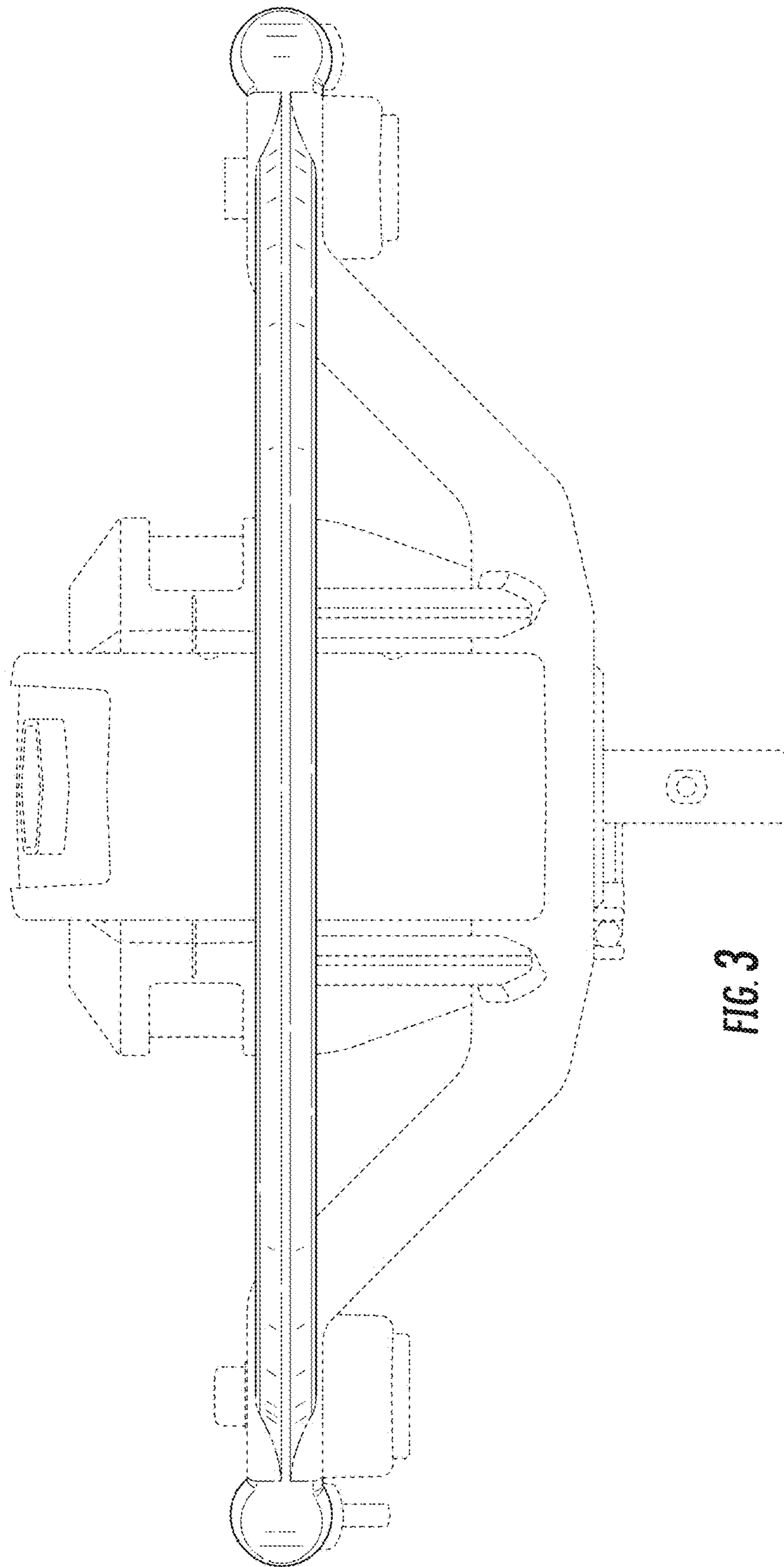


FIG. 3

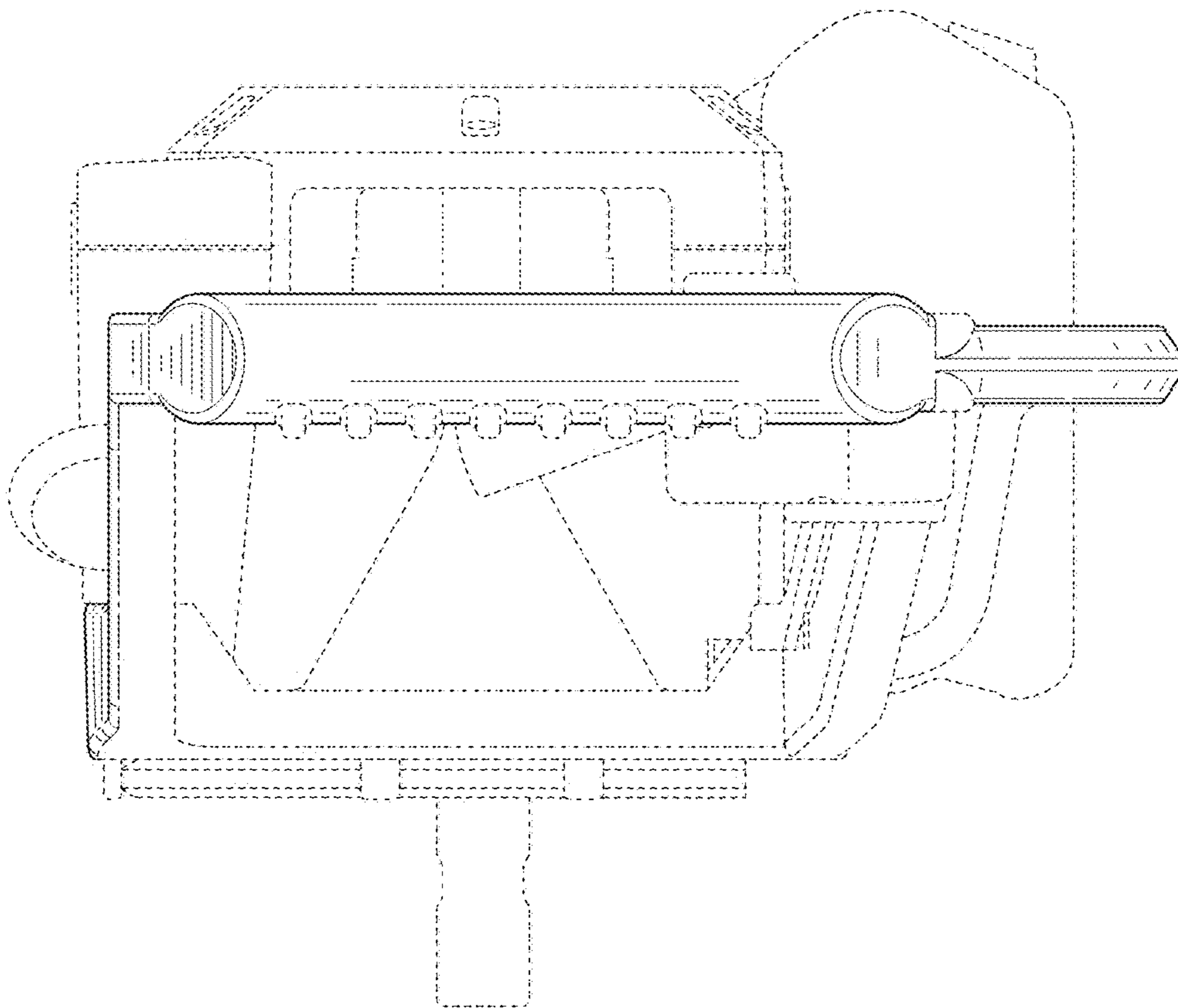


FIG. 4

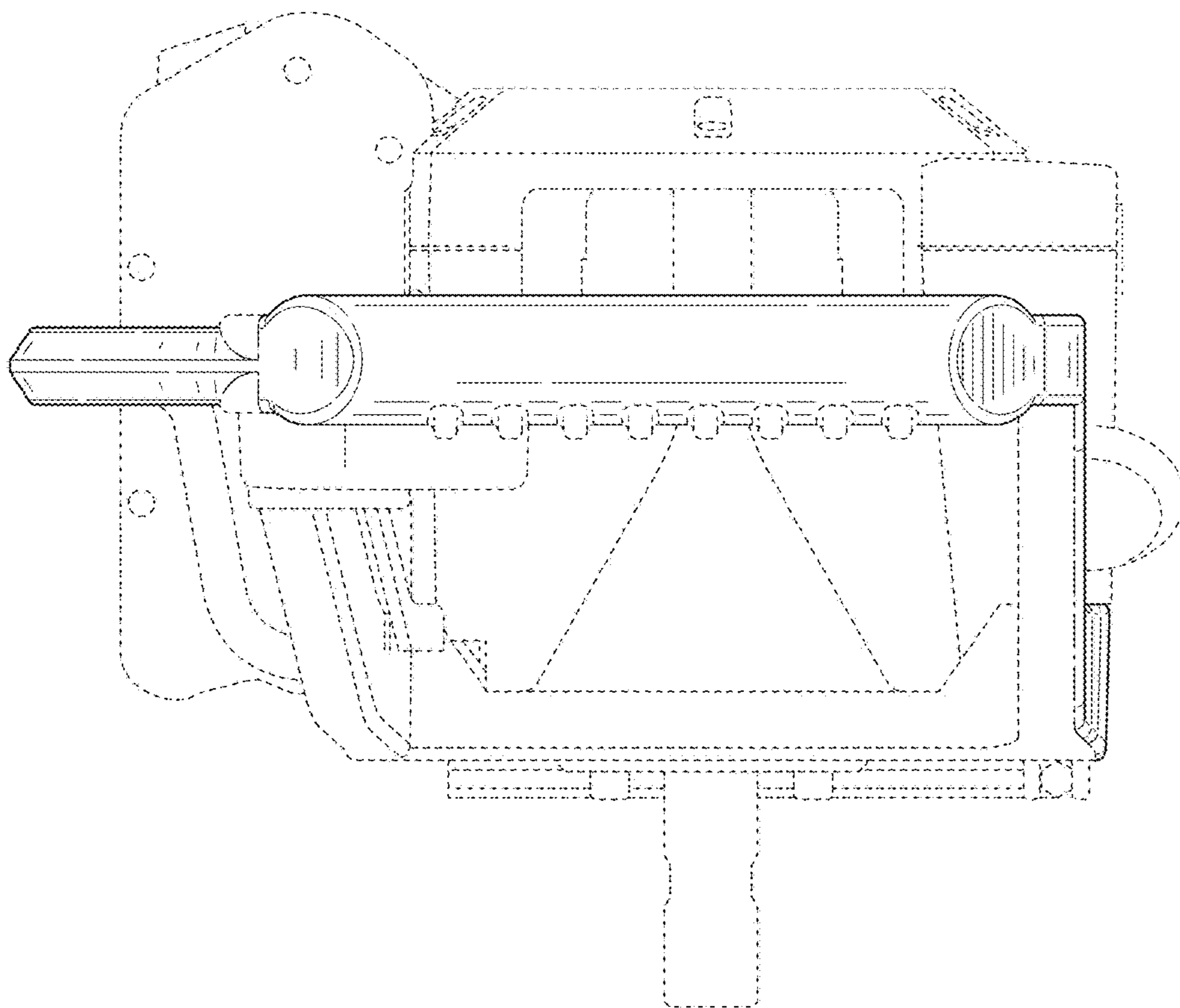


FIG. 5

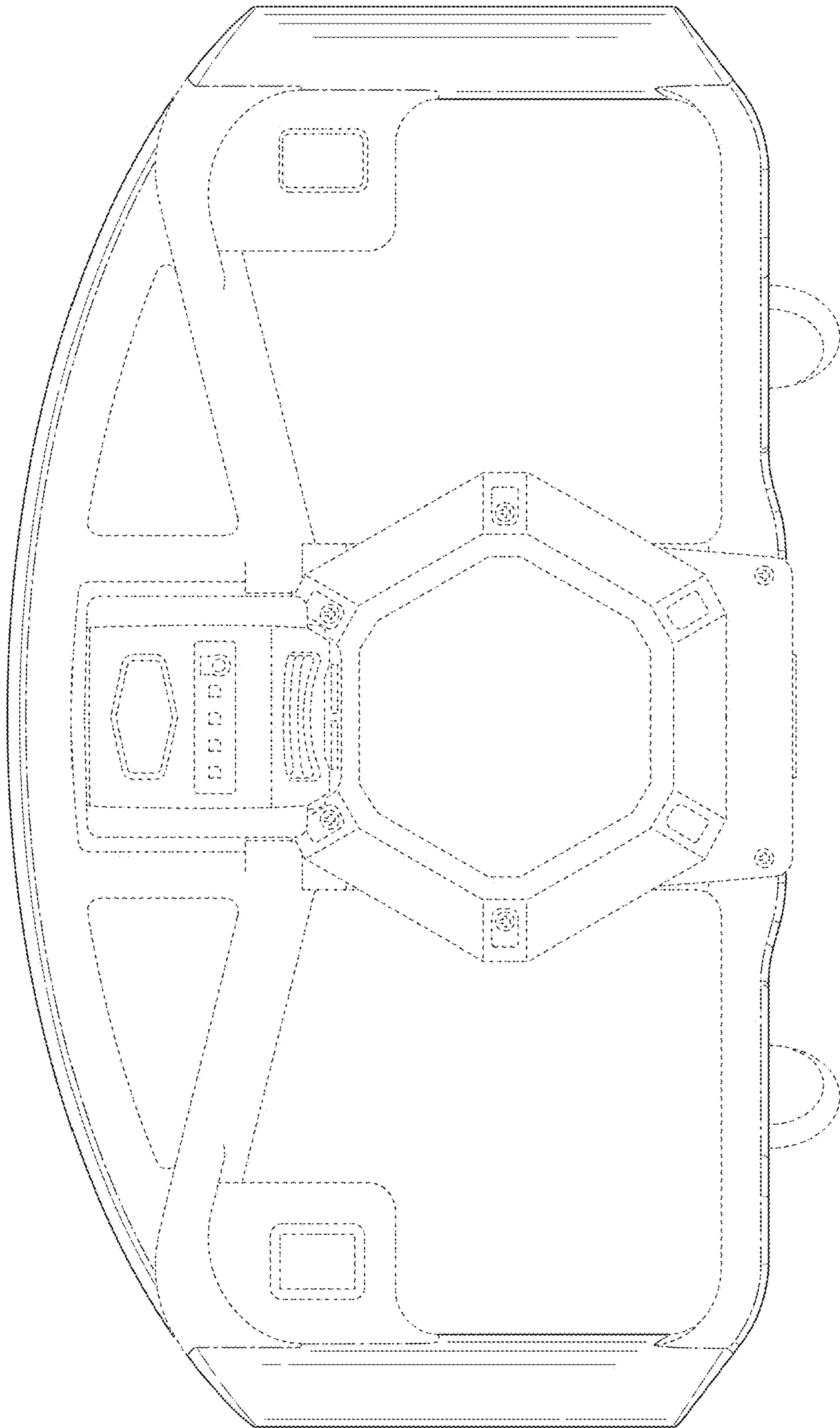


FIG. 6

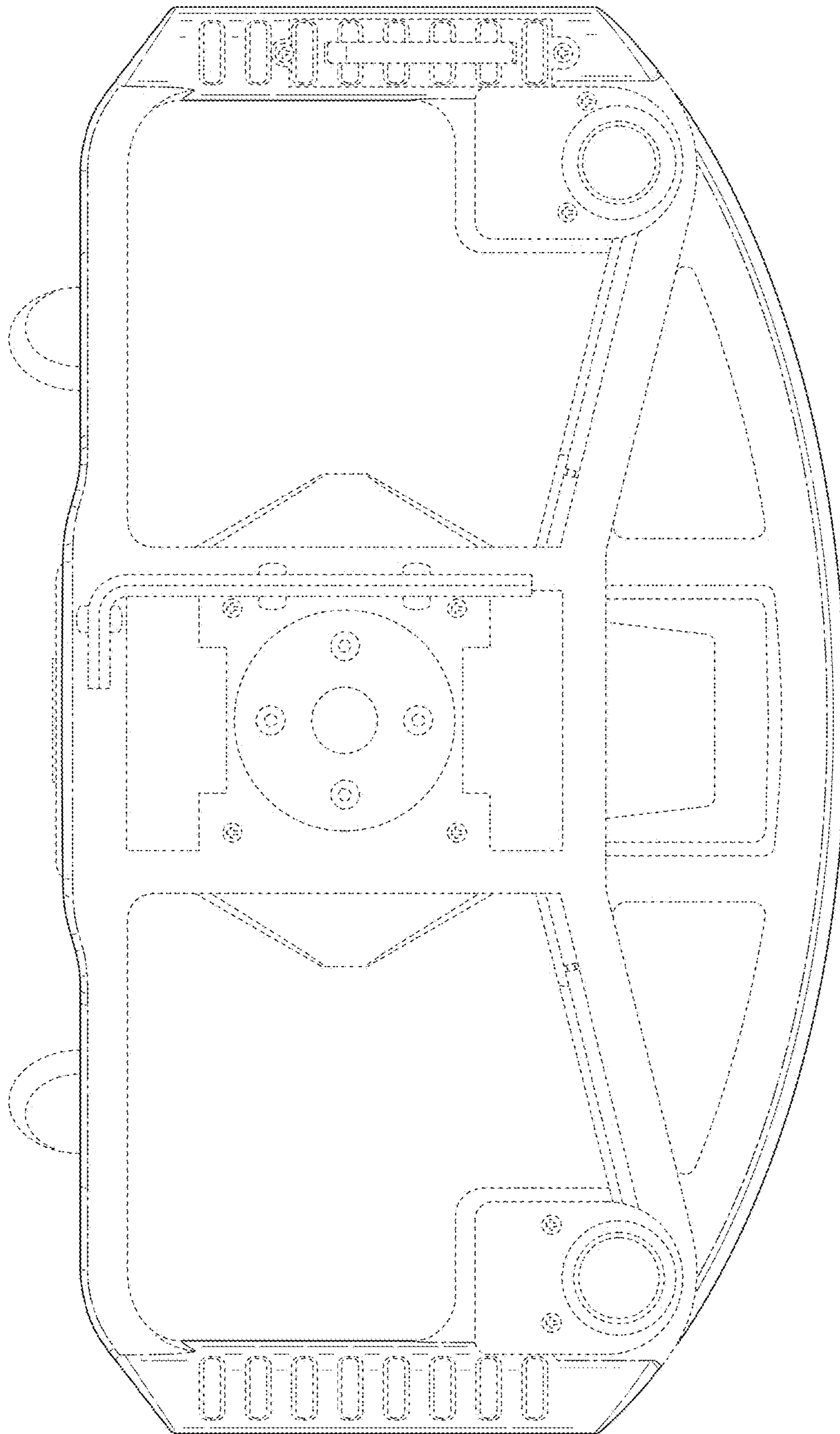


FIG. 7