



US00D832315S

(12) **United States Design Patent** (10) **Patent No.:** **US D832,315 S**
Malmberg et al. (45) **Date of Patent:** **** Oct. 30, 2018**

(54) **WEAR RESISTANT FUNNEL SHEET FOR MATERIAL GUIDE CHUTE**

(71) Applicant: **SANDVIK INTELLECTUAL PROPERTY AB**, Sandviken (SE)

(72) Inventors: **Mats Malmberg**, Rydsgard (SE);
Adrien Henssien, Malmo (SE)

(73) Assignee: **SANDVIK INTELLECTUAL PROPERTY AB**, Sandviken (SE)

(**) Term: **15 Years**

(21) Appl. No.: **29/588,304**

(22) Filed: **Dec. 20, 2016**

(30) **Foreign Application Priority Data**

Jun. 23, 2016 (EM) 003235472-0001

(51) **LOC (11) Cl.** **15-03**

(52) **U.S. Cl.**
USPC **D15/138**

(58) **Field of Classification Search**
USPC D15/138, 28, 145; D10/113.2; D8/349,
D8/354-356, 363, 367, 370-373,
D8/380-382, 384
CPC B29C 66/71; B29C 2947/92047; B29C
2947/92209; B29C 2947/92542; B29C
2947/92704; B29C 47/00; B29C 47/0014;
B29C 47/6087; B29C 64/153; B29C
64/20; B29C 65/08; B29C 65/18; B29C
65/745; B29C 66/1122; B29C 66/4312;
B29C 66/4322; B29C 66/73711; B29C
66/81435; B29C 66/8221; B29C
66/83221; B29C 66/849; B29C 66/91421;
B29C 66/91431; B29C 66/919; B29C
67/0055

See application file for complete search history.

(56) **References Cited**

U.S. PATENT DOCUMENTS

D26,439 S *	12/1896	Hasegawa	D15/138
D231,351 S *	4/1974	Preston et al.	D15/138
D530,350 S *	10/2006	Griggs	D15/145
D534,935 S *	1/2007	Griggs	D15/145
D620,964 S *	8/2010	Yuyama	D15/145
D631,735 S *	2/2011	Johnson	D8/380
D737,672 S *	9/2015	Eddowes	D8/381
D754,226 S *	4/2016	Caylor	D15/147
D803,915 S *	11/2017	Malmberg	D15/138

* cited by examiner

Primary Examiner — Ian Simmons

Assistant Examiner — Khawaja Anwar

(74) *Attorney, Agent, or Firm* — Corinne R. Gorski

(57) **CLAIM**

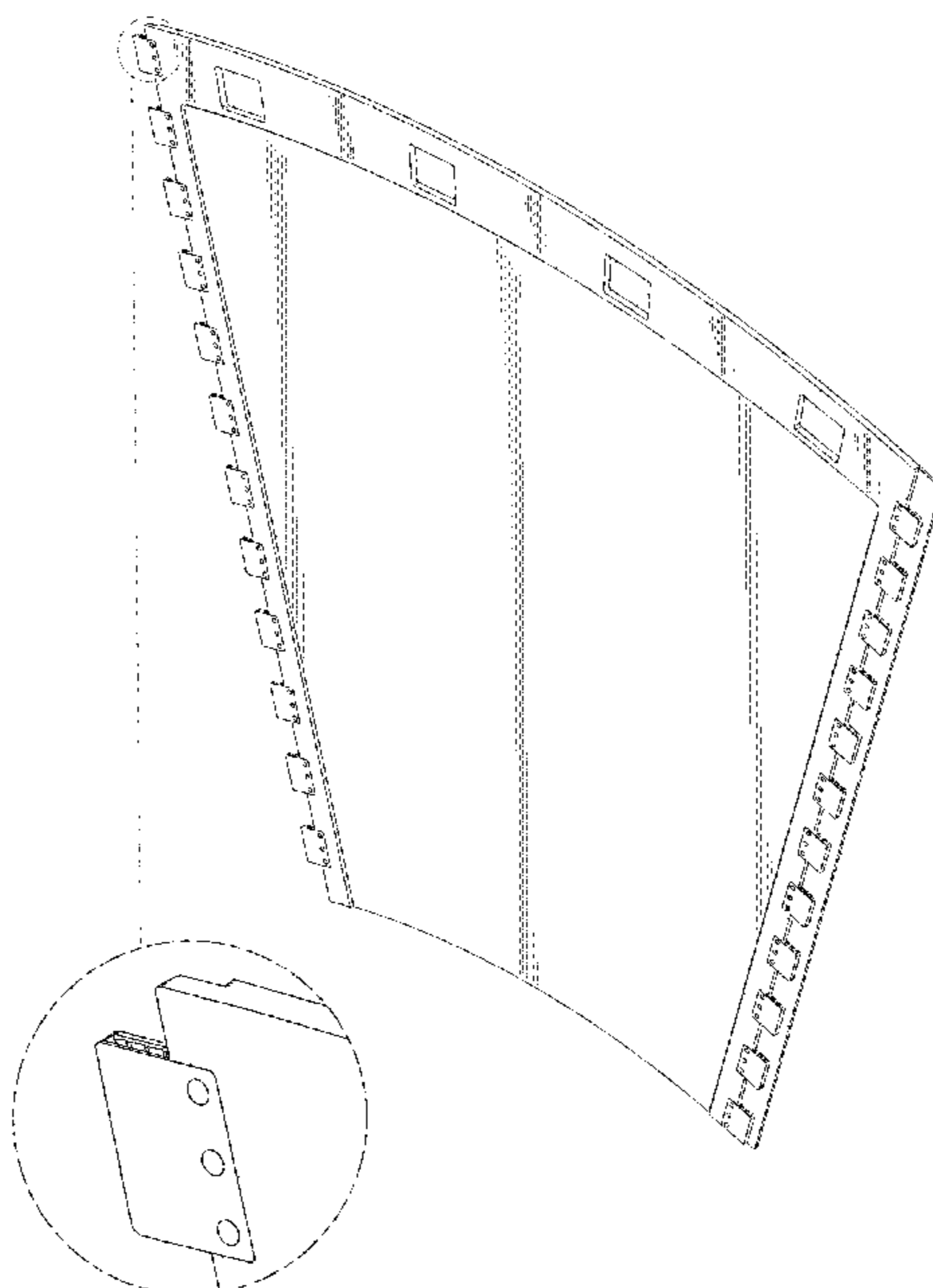
The ornamental design for a wear resistant funnel sheet for a material guide chute, as shown and described.

DESCRIPTION

FIG. 1 is a perspective view from above of a wear resistant funnel sheet for material guide chute;
FIG. 2 is a front view thereof;
FIG. 3 is a rear view thereof;
FIG. 4 is a top view thereof;
FIG. 5 is a bottom view thereof;
FIG. 6 is a right side view thereof; and,
FIG. 7 is a left side view thereof.

The broken lines shown in the drawings represent unclaimed portions of the wear resistant funnel sheet element for material guide chute and form no part of the claimed design.

1 Claim, 7 Drawing Sheets



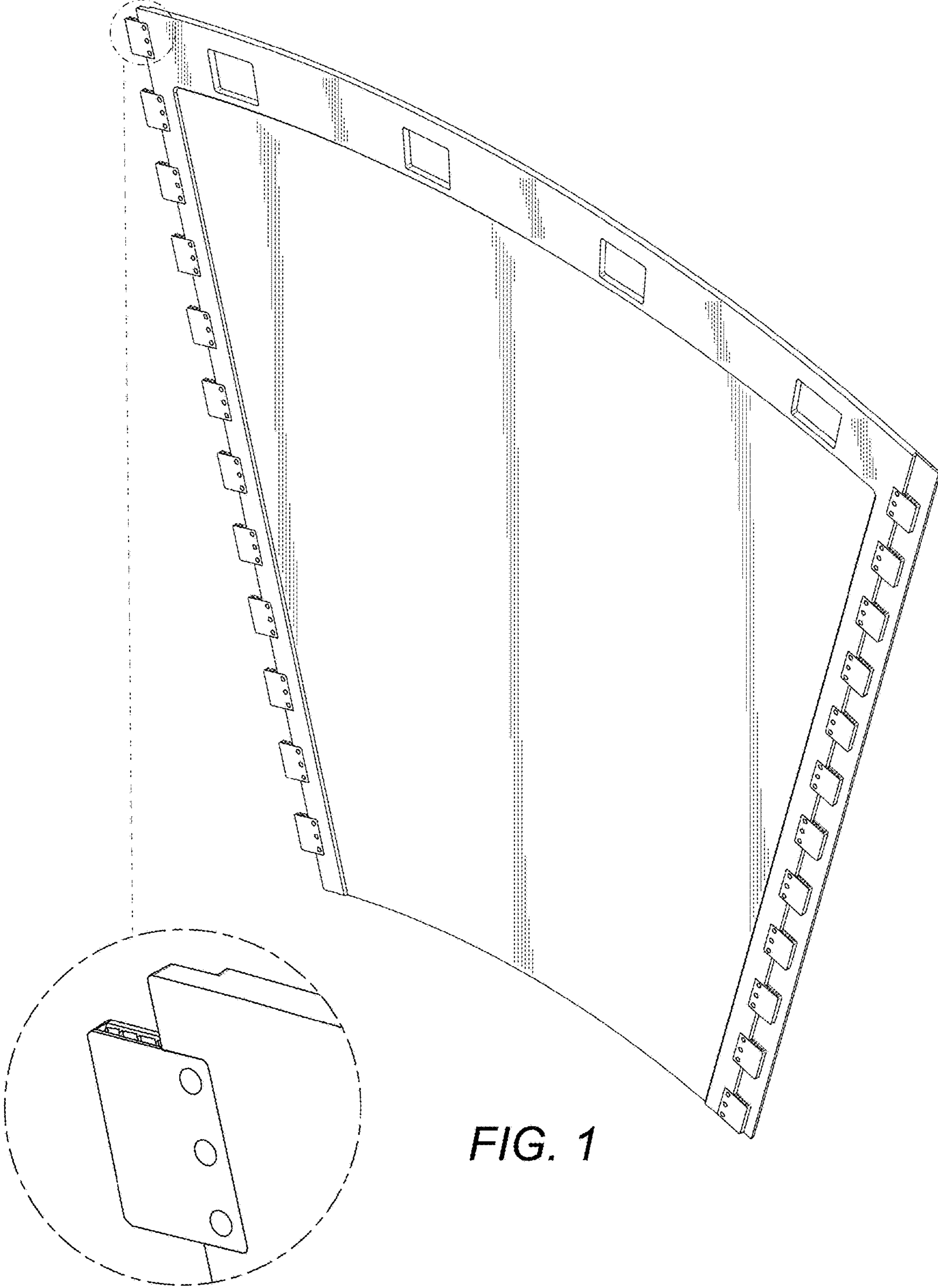


FIG. 1

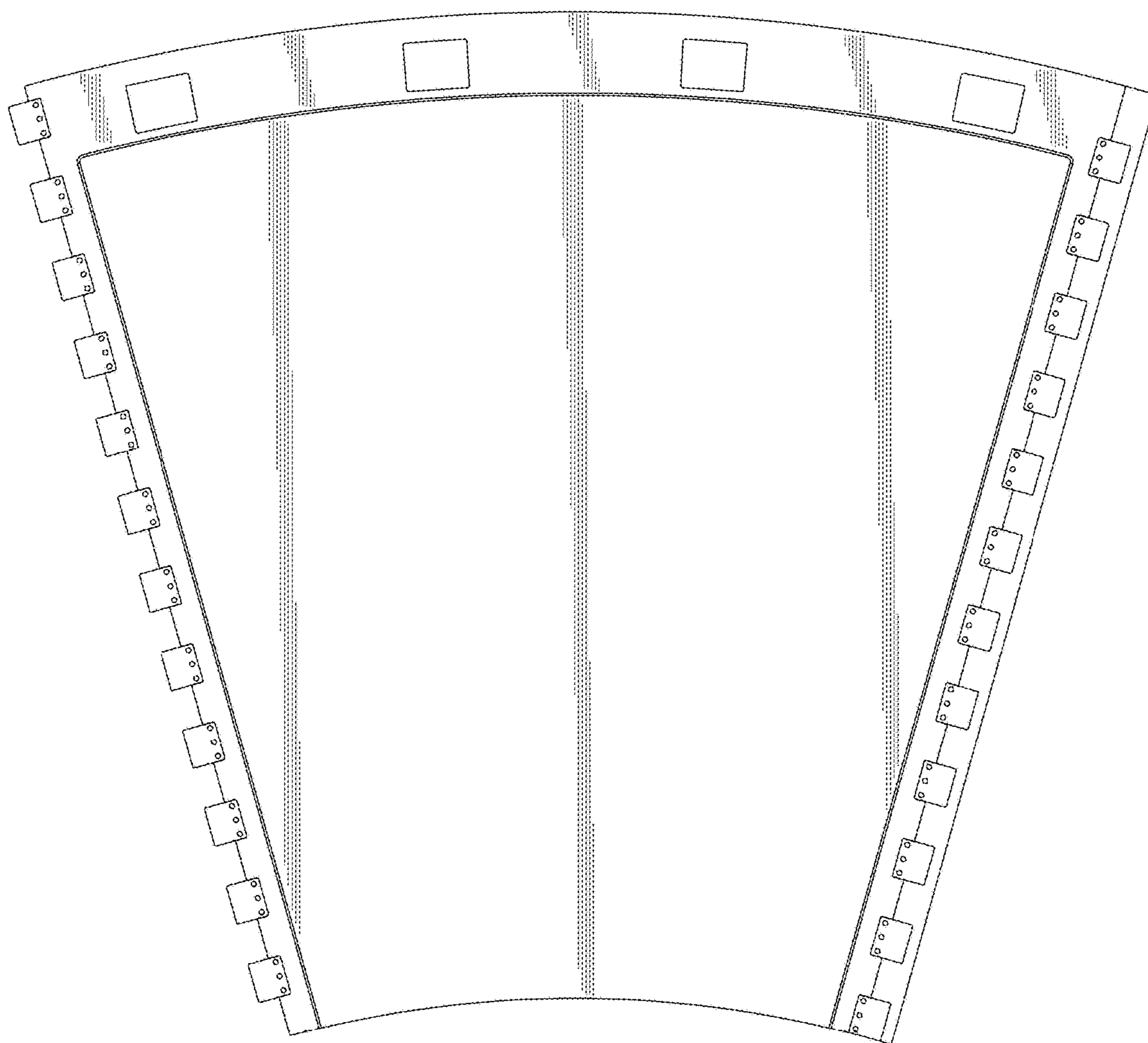


FIG. 2

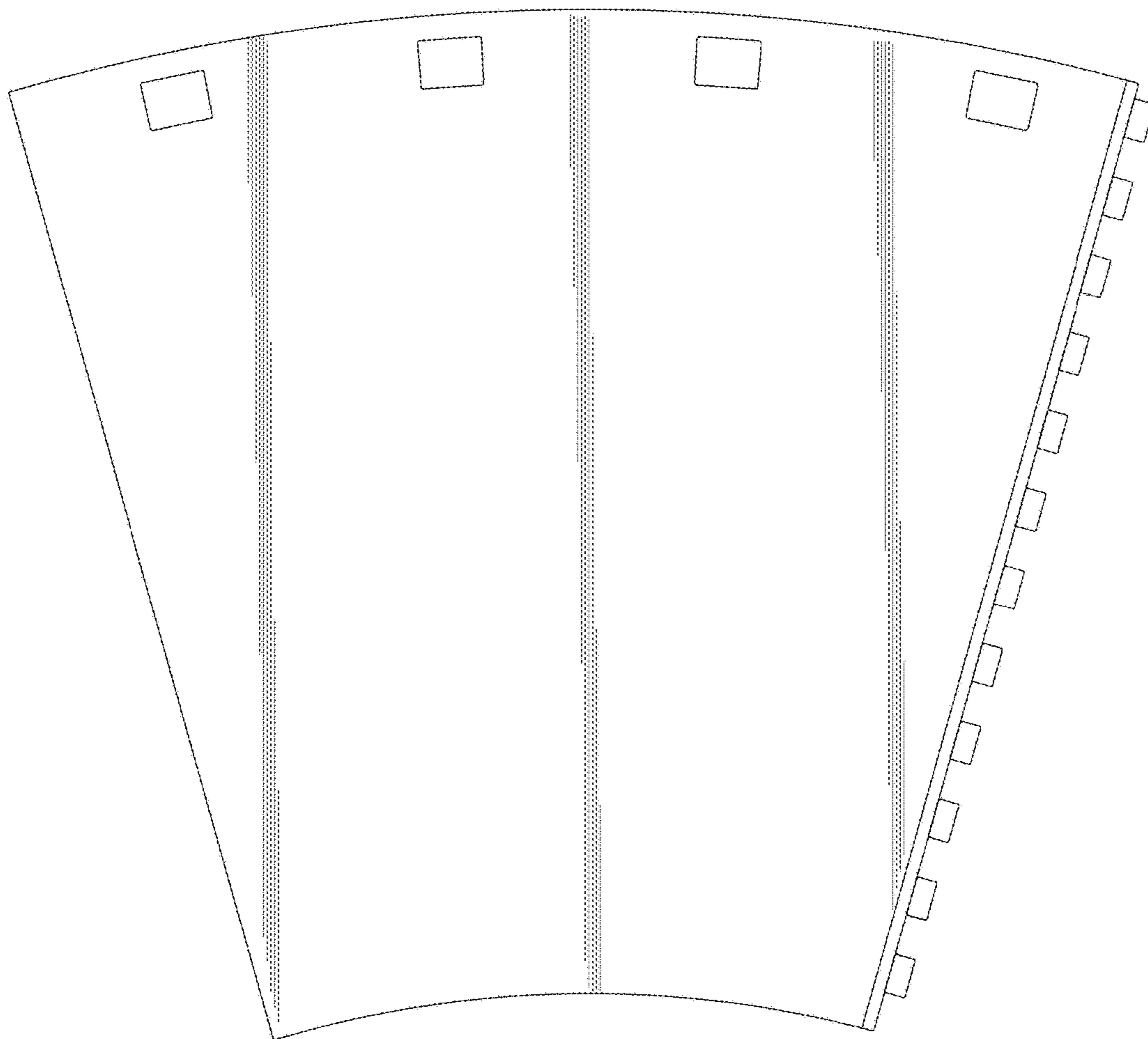


FIG. 3

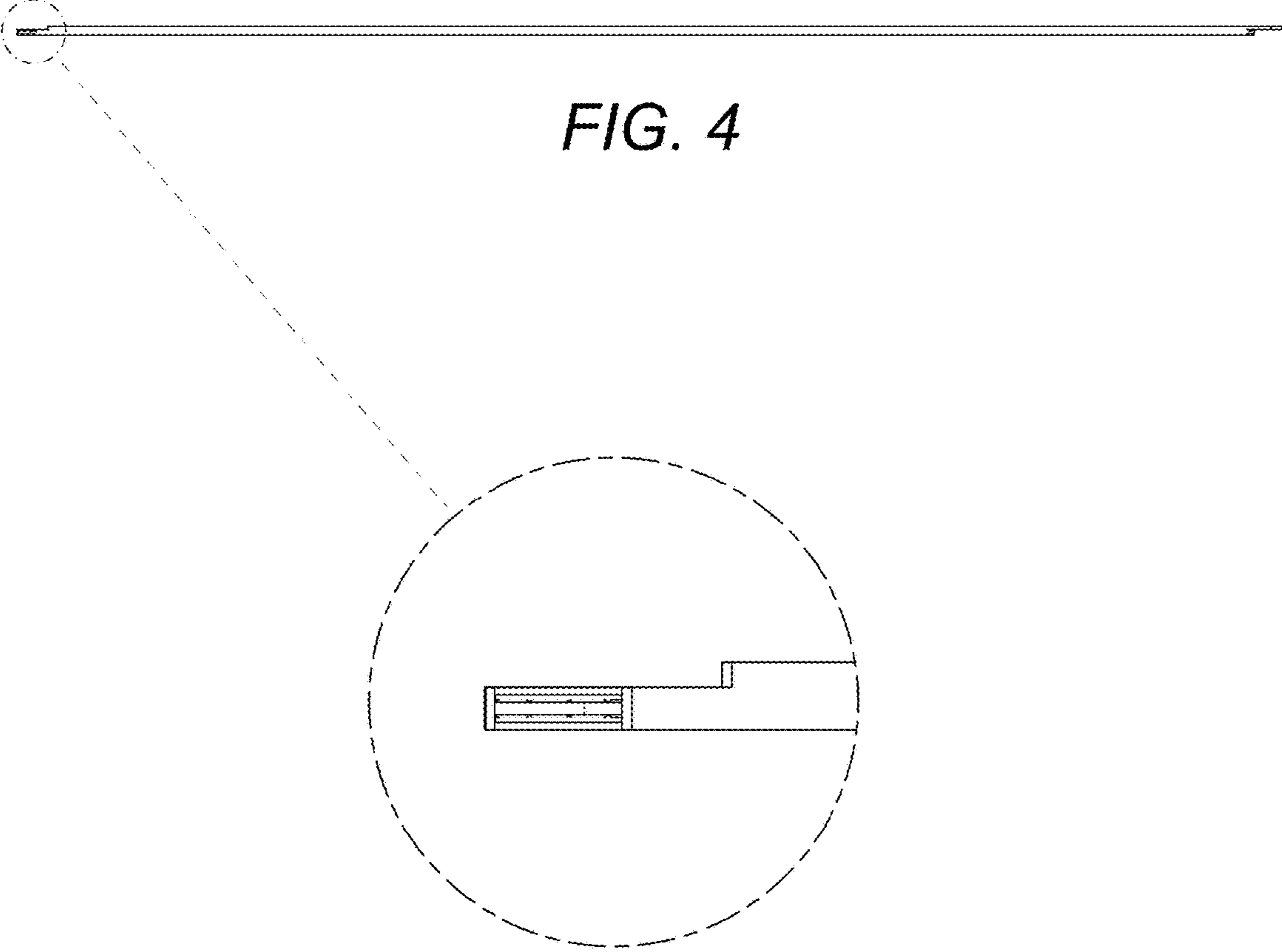
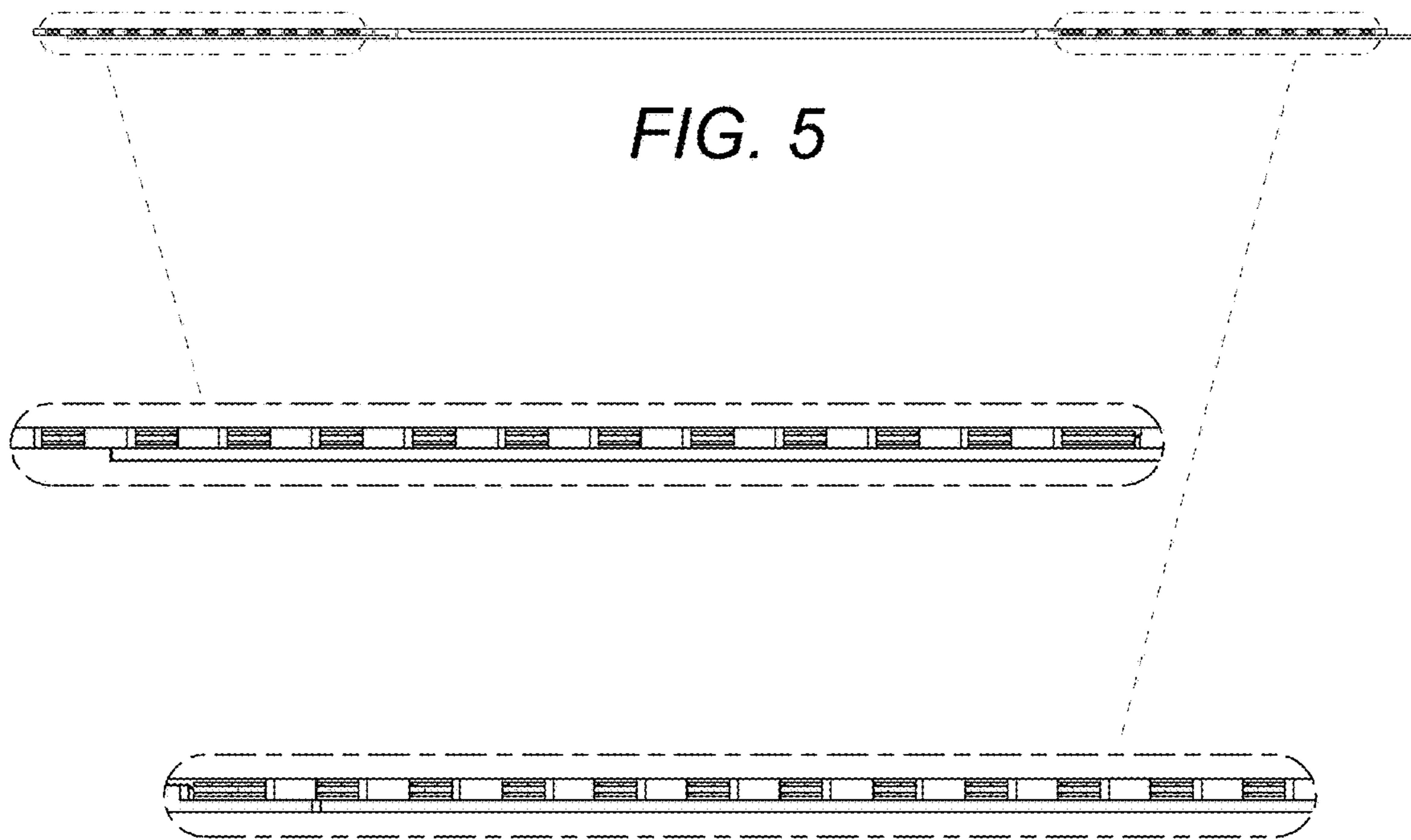


FIG. 4



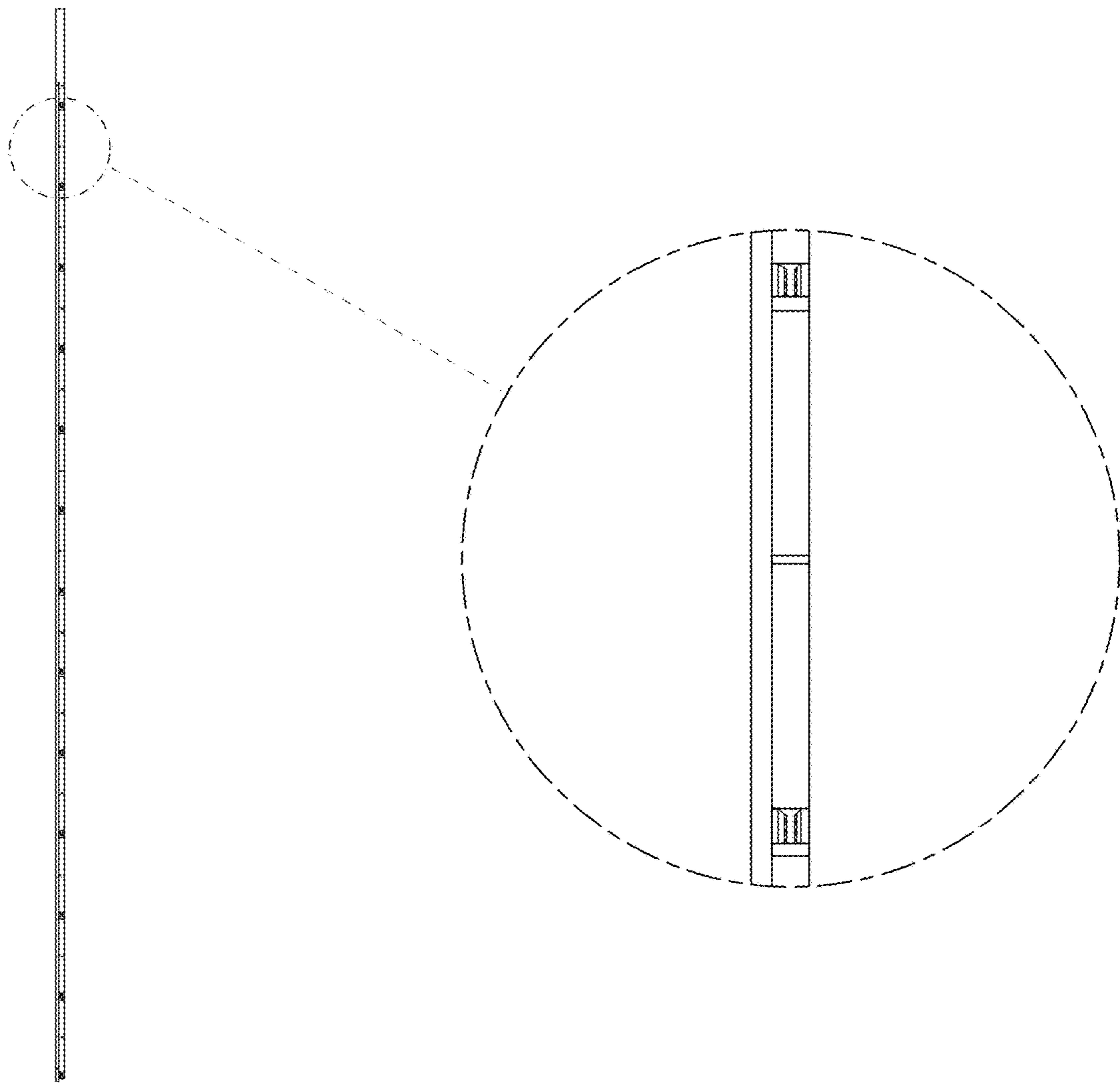


FIG. 6



FIG. 7