



US00D832311S

(12) **United States Design Patent** (10) **Patent No.:** **US D832,311 S**  
**Twiggar, III et al.** (45) **Date of Patent:** **\*\* Oct. 30, 2018**

(54) **REFRIGERATION DEVICE**

(71) Applicant: **Follett Corporation**, Easton, PA (US)

(72) Inventors: **Edward V. Twiggar, III**, Nazareth, PA (US); **Shawn P. Szilezy**, Bath, PA (US); **James Bottos**, Nazareth, PA (US)

(73) Assignee: **Follett Corporation**, Easton, PA (US)

(\*\*) Term: **14 Years**

(21) Appl. No.: **29/522,456**

(22) Filed: **Mar. 31, 2015**

(51) **LOC (11) Cl.** ..... **15-07**

(52) **U.S. Cl.**  
USPC ..... **D15/79**

(58) **Field of Classification Search**  
USPC ..... D15/79-91; D24/216, 231, 232  
(Continued)

(56) **References Cited**

**U.S. PATENT DOCUMENTS**

2,779,165 A 1/1957 Pichler et al.  
3,080,884 A 3/1963 Nelson et al.  
(Continued)

**FOREIGN PATENT DOCUMENTS**

JP 03260574 11/1991  
JP 2002022325 1/2002  
(Continued)

**OTHER PUBLICATIONS**

<http://www.quenchonline.com/water-cooler-products>, Quench 975,  
May 5, 2012.

*Primary Examiner* — Ian Simmons  
*Assistant Examiner* — Khawaja Anwar

(74) *Attorney, Agent, or Firm* — Paul & Paul

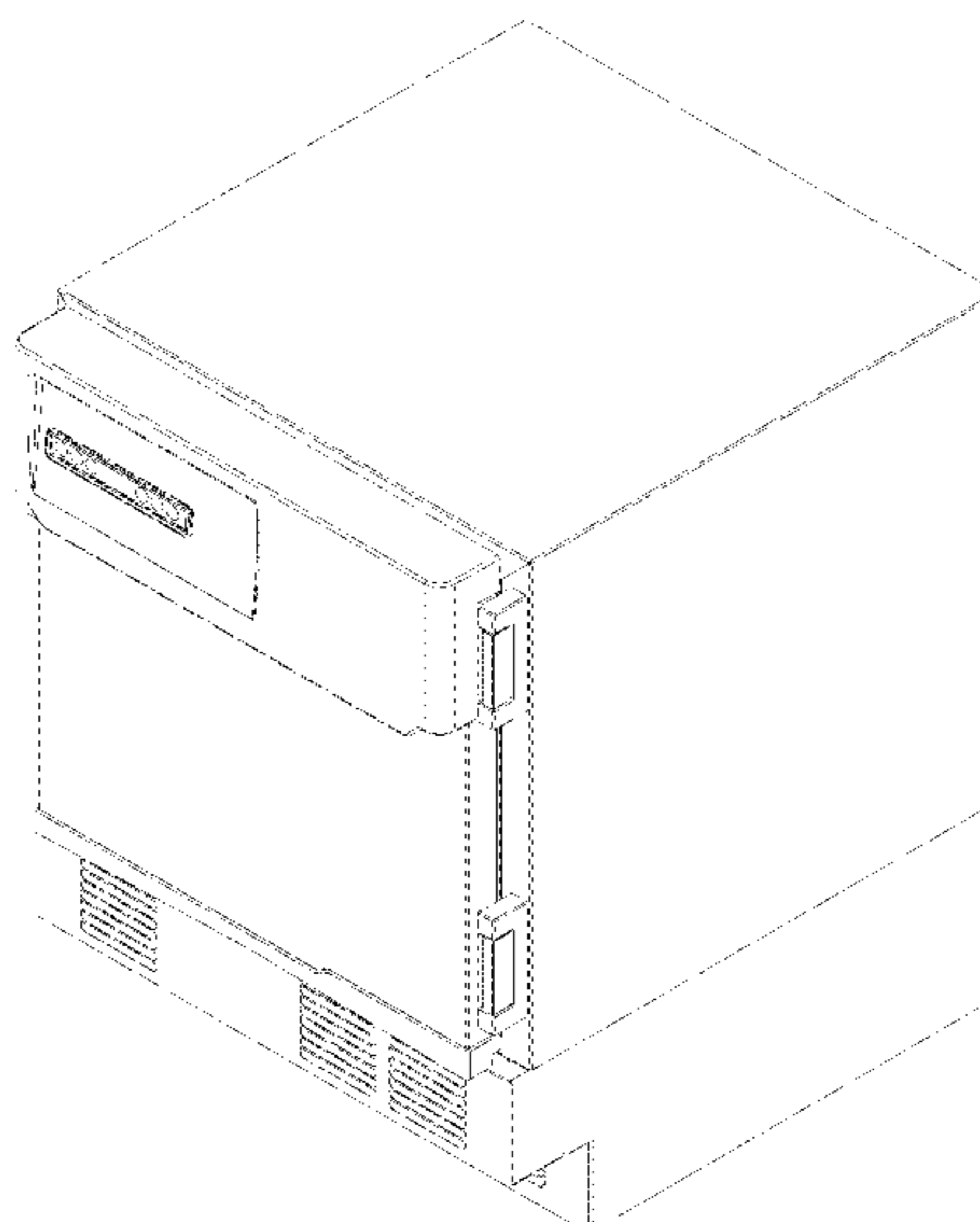
(57) **CLAIM**

The ornamental design for a refrigeration device, as shown and described.

**DESCRIPTION**

FIG. 1 is a front elevation view of a first embodiment of a refrigeration device, showing our new design; FIG. 1a is an enlarged, fragmentary view of the lower left portion of the device as depicted in FIG. 1; FIG. 1b is an enlarged, fragmentary view of the lower right portion of the device as depicted in FIG. 1; FIG. 2 is a left side elevation view thereof; FIG. 3 is a right side elevation view thereof; FIG. 3a is an enlarged, fragmentary view of the lower right portion of the device as depicted in FIG. 3; FIG. 4 is a rear elevation view thereof; FIG. 5 is a top plan view thereof; FIG. 5a is an enlarged, fragmentary view of the upper left portion of the device as depicted in FIG. 5; FIG. 6 is a bottom plan view thereof; FIG. 7 is front perspective view thereof; FIG. 8 is a rear perspective view thereof; FIG. 9 is a front elevation view with the door removed to display the appearance of the interior when the door is open. FIG. 10 is a front elevational view of a second embodiment of a refrigeration device embodying my new design; FIG. 11 is a left side elevational view thereof; FIG. 12 is a right side elevational view thereof; FIG. 13 is a top plan view thereof; FIG. 14 is a bottom plan view thereof; FIG. 15 is a rear elevational view thereof; FIG. 16 is front perspective view thereof; FIG. 17 is a rear perspective view thereof; FIG. 17a is an enlarged, fragmentary view of the lower right portion of the device as depicted in FIG. 17; and, FIG. 18 is a front elevation view with the door removed to display the appearance of the interior when the door is open. The broken lines in the figure drawings represent unclaimed environment only and form no part of the claimed design.

**1 Claim, 19 Drawing Sheets**



- (58) **Field of Classification Search**  
 CPC ..... F25B 21/02; F25B 13/00; F25B 21/00;  
 F25B 21/04; F25B 2313/0253; F25B  
 2313/0315; F25B 2321/001; F25B  
 2345/003; F25B 2500/06; F25B  
 2600/021; F25B 2700/04; F25B  
 2700/1931; F25B 45/00; F25B 49/02;  
 F25B 49/025  
 See application file for complete search history.

(56) **References Cited**

U.S. PATENT DOCUMENTS

|           |    |         |                   |
|-----------|----|---------|-------------------|
| 3,341,065 | A  | 9/1967  | Schuldt et al.    |
| 3,771,560 | A  | 11/1973 | Conti et al.      |
| 4,123,918 | A  | 11/1978 | Kohl et al.       |
| 4,248,276 | A  | 2/1981  | Gosnell           |
| 4,796,441 | A  | 1/1989  | Goldstein         |
| D299,900  | S  | 2/1989  | Marotta           |
| D322,534  | S  | 12/1991 | Chaney            |
| 5,112,477 | A  | 5/1992  | Hamlin            |
| 5,125,242 | A  | 6/1992  | Von Blanquet      |
| D333,405  | S  | 2/1993  | Moyer, Jr. et al. |
| 5,211,030 | A  | 5/1993  | Jameson           |
| 5,394,708 | A  | 3/1995  | Whinery et al.    |
| 5,542,573 | A  | 8/1996  | Frantz            |
| 5,797,514 | A  | 8/1998  | Twiggaar et al.   |
| 5,887,758 | A  | 3/1999  | Hawkes et al.     |
| 5,950,866 | A  | 9/1999  | Lancaster         |
| 5,987,900 | A  | 11/1999 | Love              |
| D423,861  | S  | 5/2000  | Graffius          |
| 6,134,908 | A  | 10/2000 | Brunner et al.    |
| 6,321,802 | B1 | 11/2001 | Weeks et al.      |
| 6,561,691 | B1 | 5/2003  | McCann et al.     |
| 6,591,877 | B1 | 7/2003  | Graffius          |
| 6,685,053 | B2 | 2/2004  | Hawkes et al.     |
| D499,599  | S  | 12/2004 | Morrison          |
| 6,860,408 | B2 | 3/2005  | Hawkes et al.     |
| D510,674  | S  | 10/2005 | Smith et al.      |
| D510,675  | S  | 10/2005 | Ball              |
| 6,952,935 | B2 | 10/2005 | Vorosmarti et al. |
| D515,348  | S  | 2/2006  | McWilliam         |

|              |     |         |                        |
|--------------|-----|---------|------------------------|
| D524,588     | S   | 7/2006  | Copland                |
| 7,096,686    | B2  | 8/2006  | Brunner et al.         |
| 7,137,271    | B2  | 11/2006 | Hawkes et al.          |
| 7,263,844    | B2  | 9/2007  | Brunner et al.         |
| D551,901     | S   | 10/2007 | Hulett et al.          |
| D554,930     | S   | 11/2007 | Lavy                   |
| D556,494     | S   | 12/2007 | Adachi et al.          |
| 7,322,201    | B2  | 1/2008  | Brunner et al.         |
| D568,913     | S   | 5/2008  | Suh et al.             |
| 7,415,834    | B2  | 8/2008  | Marret et al.          |
| 7,426,838    | B1  | 9/2008  | Shapiro et al.         |
| D581,716     | S   | 12/2008 | Harris, III            |
| 7,469,548    | B2  | 12/2008 | Brunner et al.         |
| 7,469,552    | B2  | 12/2008 | Brunner et al.         |
| D589,988     | S   | 4/2009  | Martin et al.          |
| D600,062     | S   | 9/2009  | Lavy                   |
| D613,112     | S   | 4/2010  | Lippert et al.         |
| D622,533     | S   | 8/2010  | Gross et al.           |
| D627,186     | S   | 11/2010 | Romandy                |
| D640,083     | S   | 6/2011  | Davenport              |
| D642,851     | S   | 8/2011  | Yui                    |
| D652,244     | S   | 1/2012  | Richardson et al.      |
| D696,350     | S   | 12/2013 | d'Amore et al.         |
| D701,888     | S * | 4/2014  | Schumaker ..... D15/81 |
| D706,567     | S   | 6/2014  | Strayle                |
| D713,863     | S * | 9/2014  | Cosgrove ..... D15/88  |
| D734,371     | S * | 7/2015  | Lei ..... D15/80       |
| D747,366     | S * | 1/2016  | Kranz ..... D15/81     |
| D761,332     | S * | 7/2016  | Austin ..... D15/79    |
| D762,744     | S * | 8/2016  | Tissi ..... D15/81     |
| D771,157     | S * | 11/2016 | Yamada ..... D15/81    |
| 2006/0277928 | A1  | 12/2006 | McDougal et al.        |
| 2006/0277937 | A1  | 12/2006 | Schlosser et al.       |
| 2008/0011000 | A1  | 1/2008  | Brunner et al.         |
| 2008/0022711 | A1  | 1/2008  | Brunner et al.         |
| 2008/0196422 | A1  | 8/2008  | Lee et al.             |
| 2009/0241782 | A1  | 10/2009 | Van Dillen et al.      |

FOREIGN PATENT DOCUMENTS

|    |            |         |
|----|------------|---------|
| JP | 2006242453 | 9/2006  |
| JP | 2006308129 | 11/2006 |

\* cited by examiner

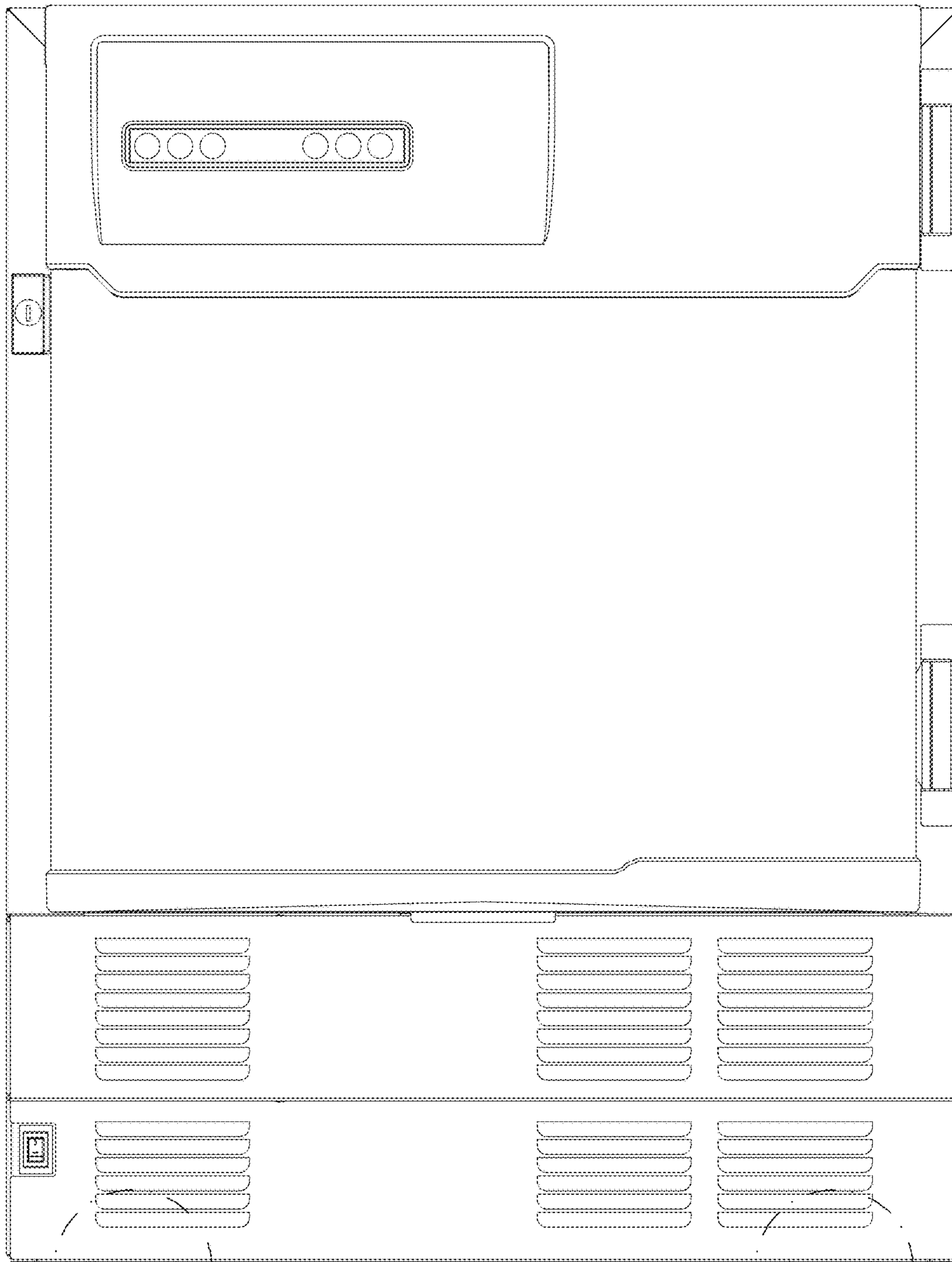


Fig. 1a

Fig. 1

Fig. 1b



Fig. 5a

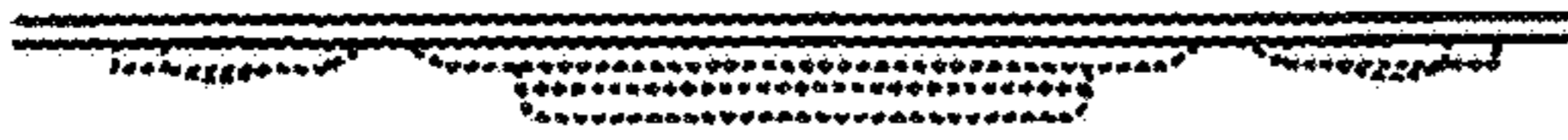


Fig. 1a

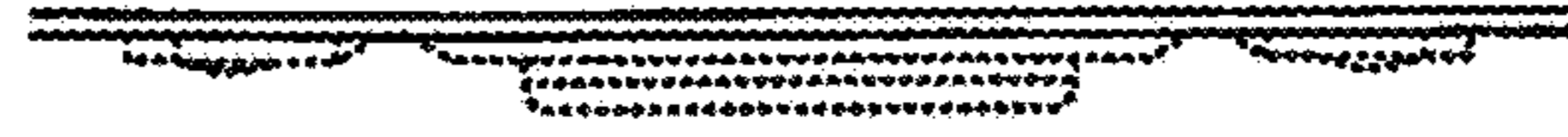


Fig. 1b

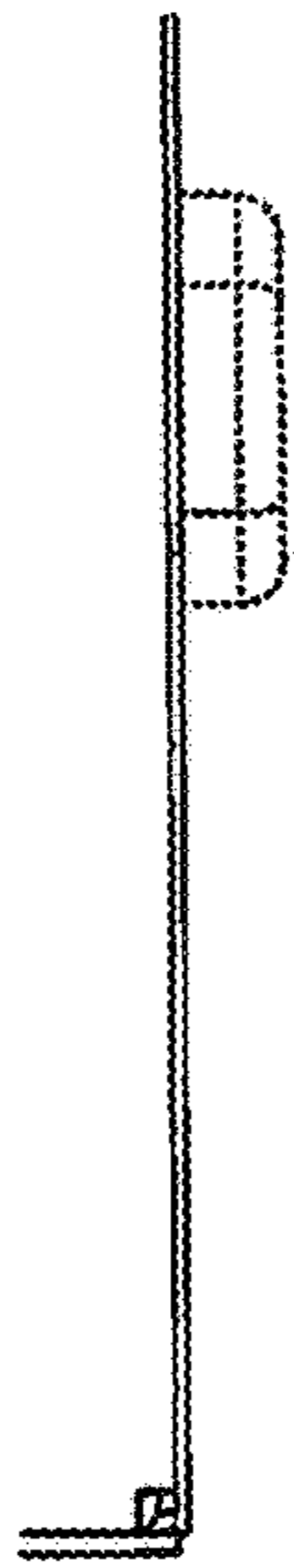


Fig. 3a

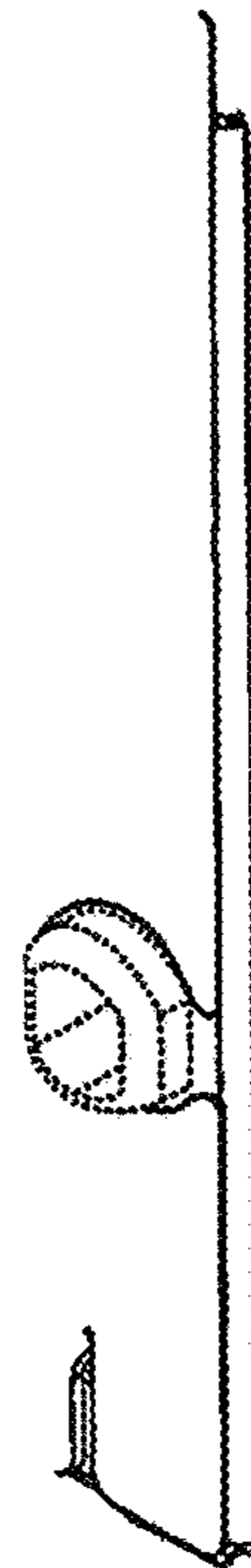


Fig. 17a

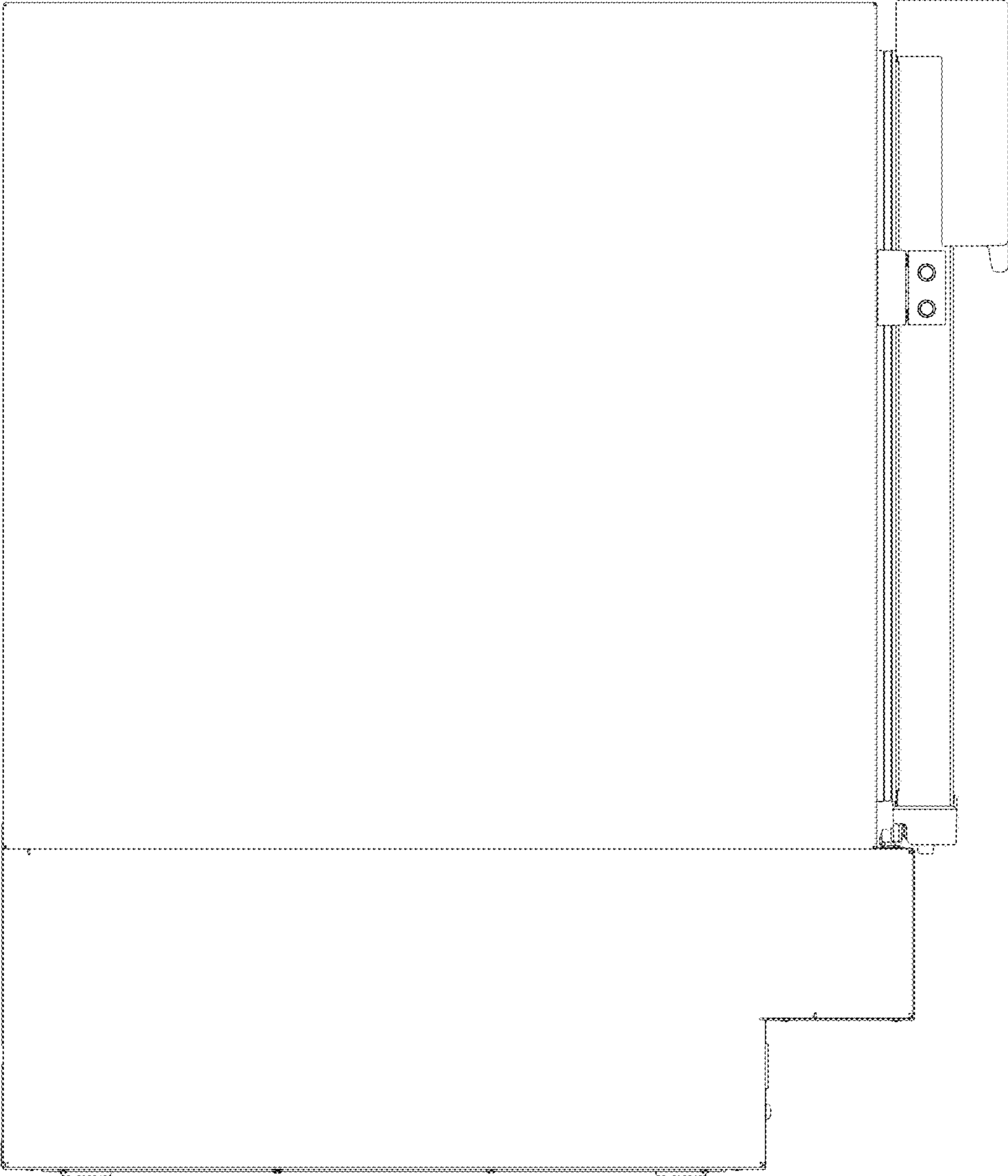


Fig. 2

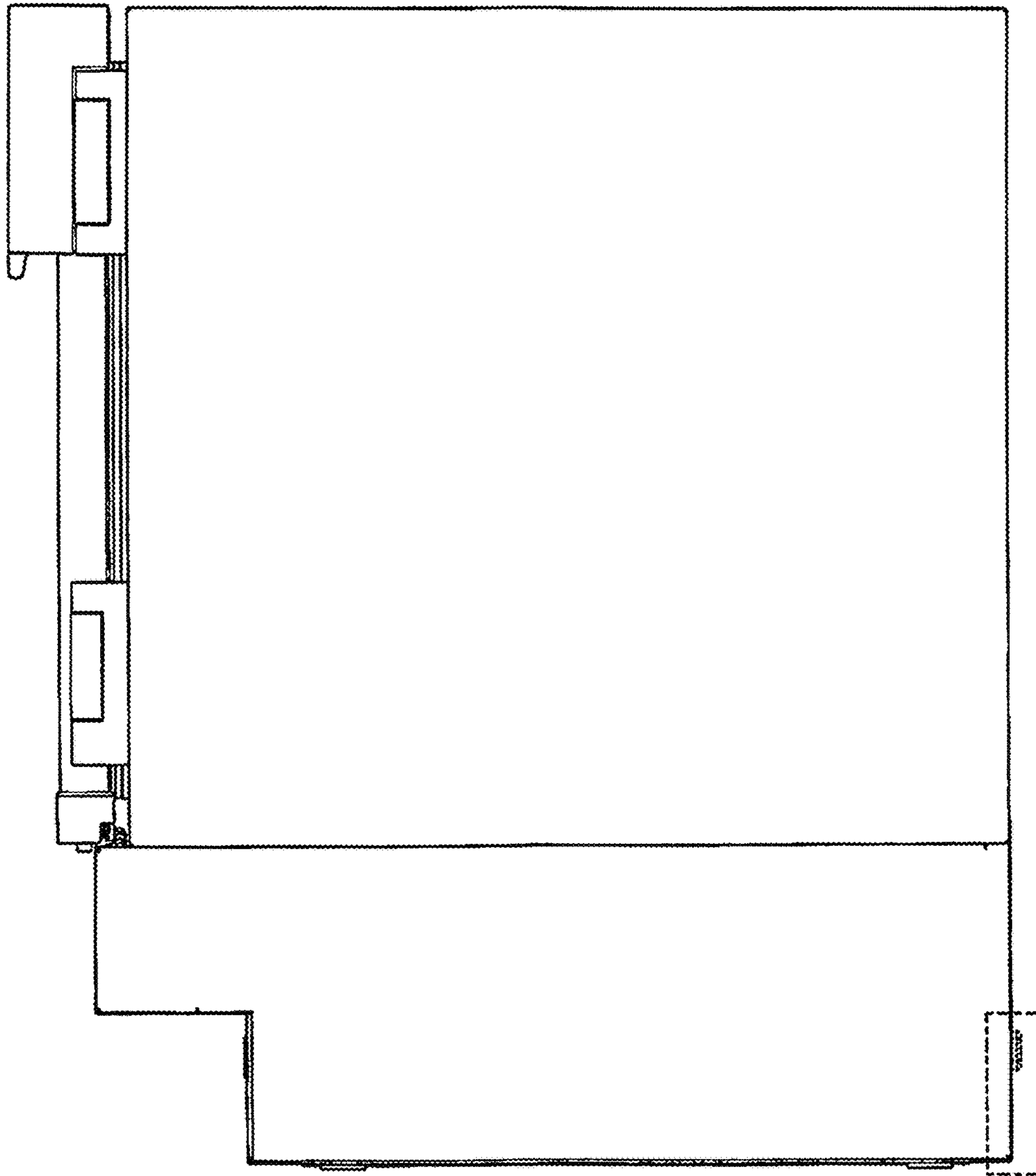


Fig. 3a

Fig. 3

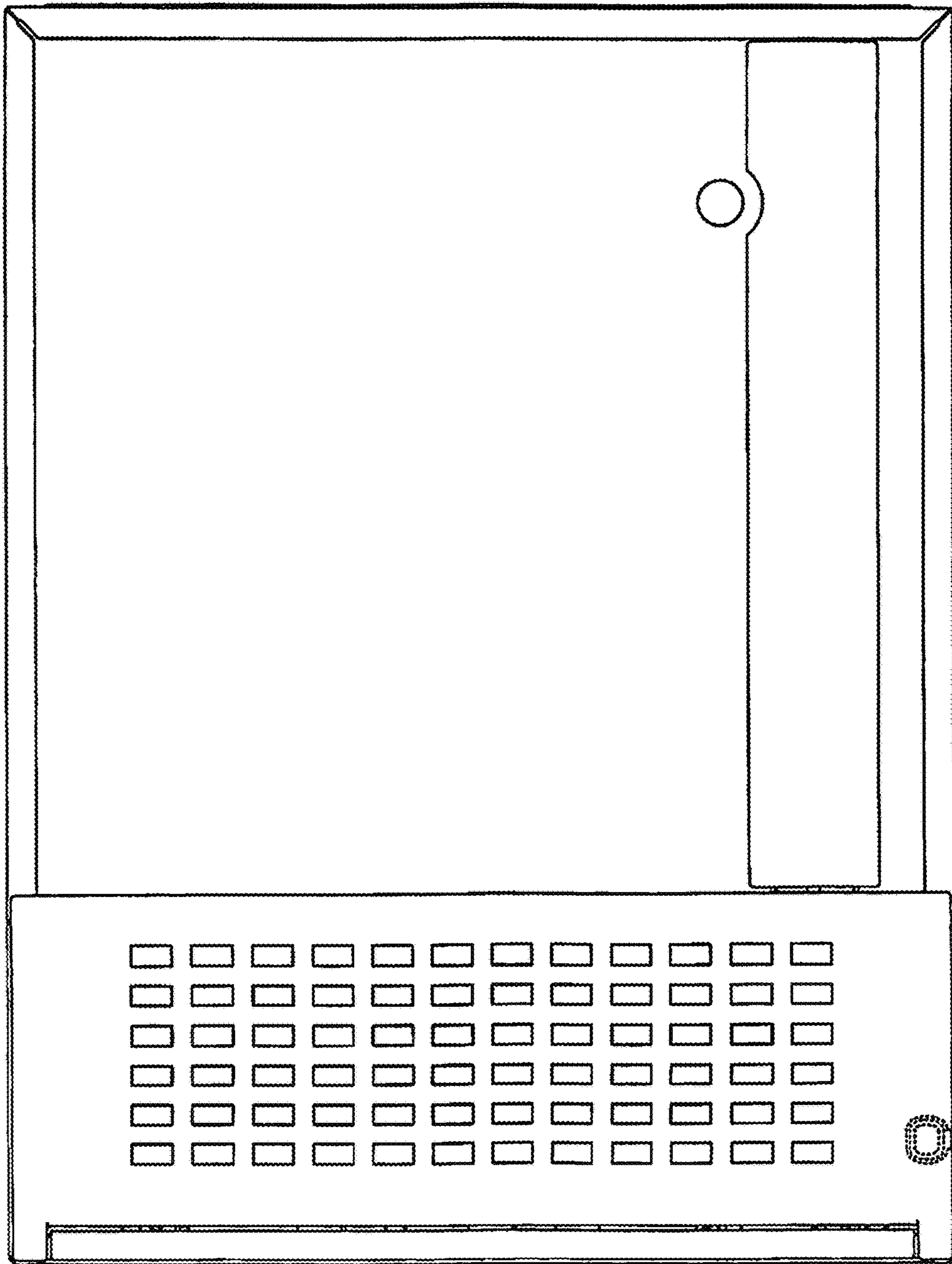


Fig. 4

Fig. 5a

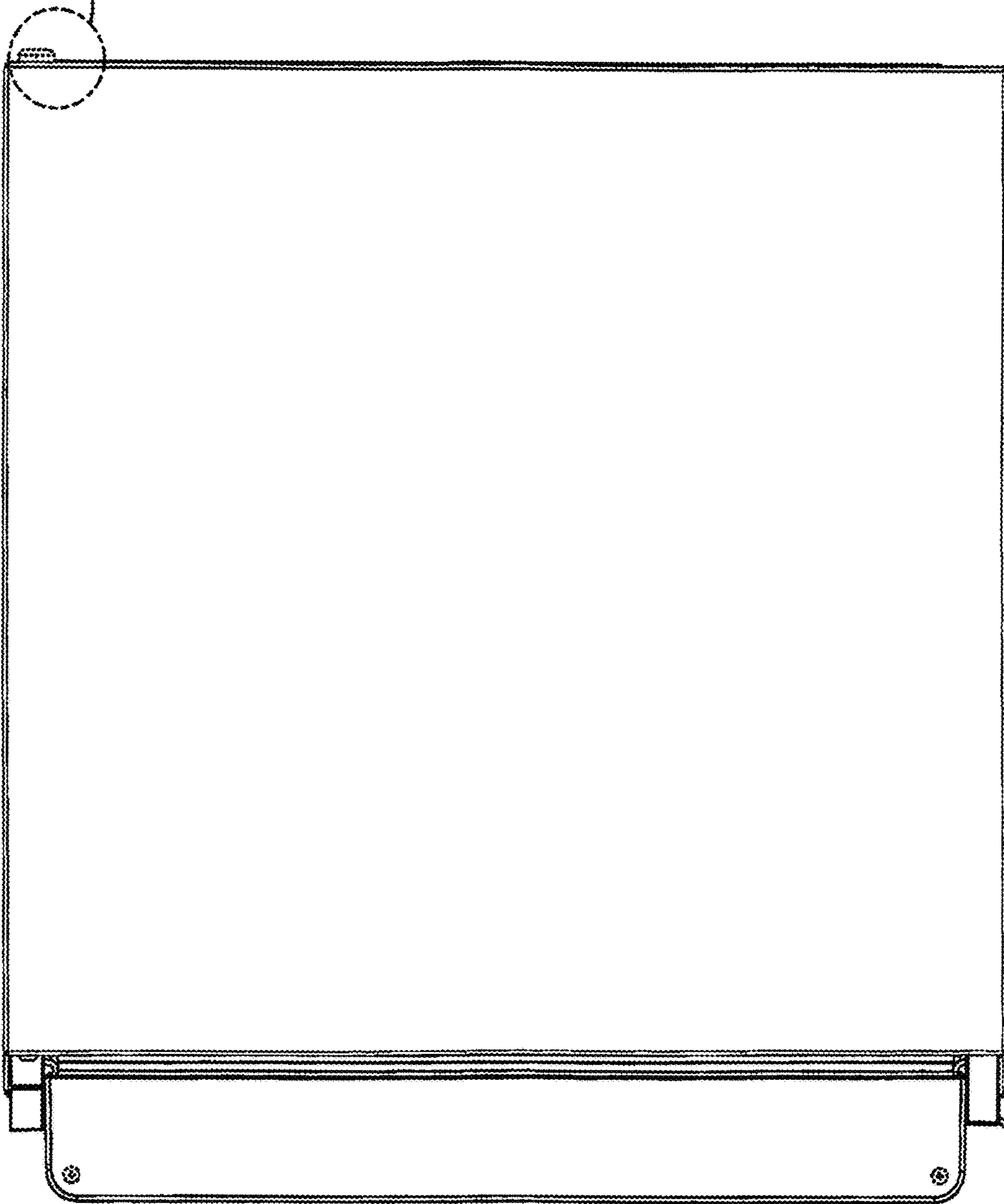


Fig. 5



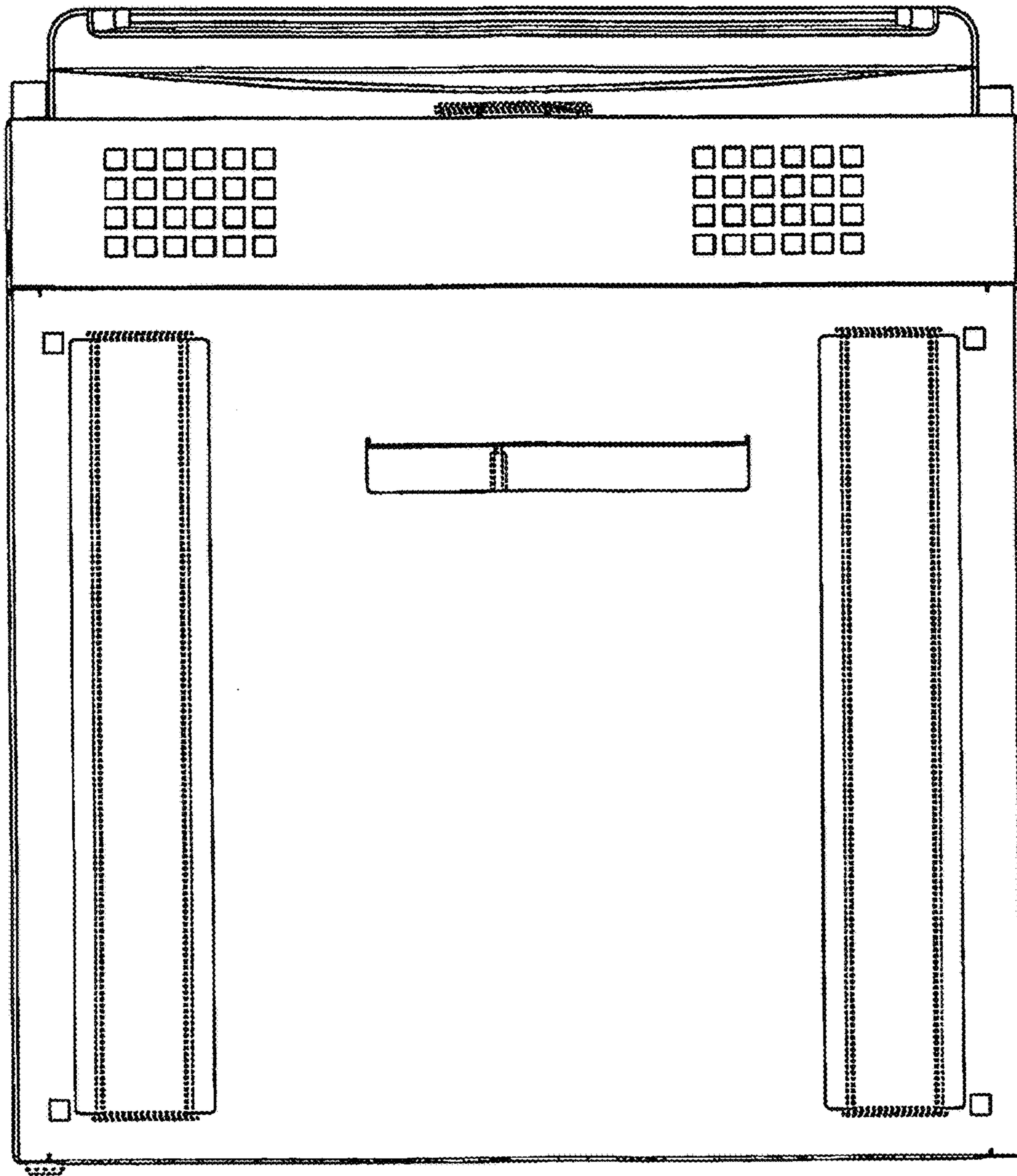


Fig. 6

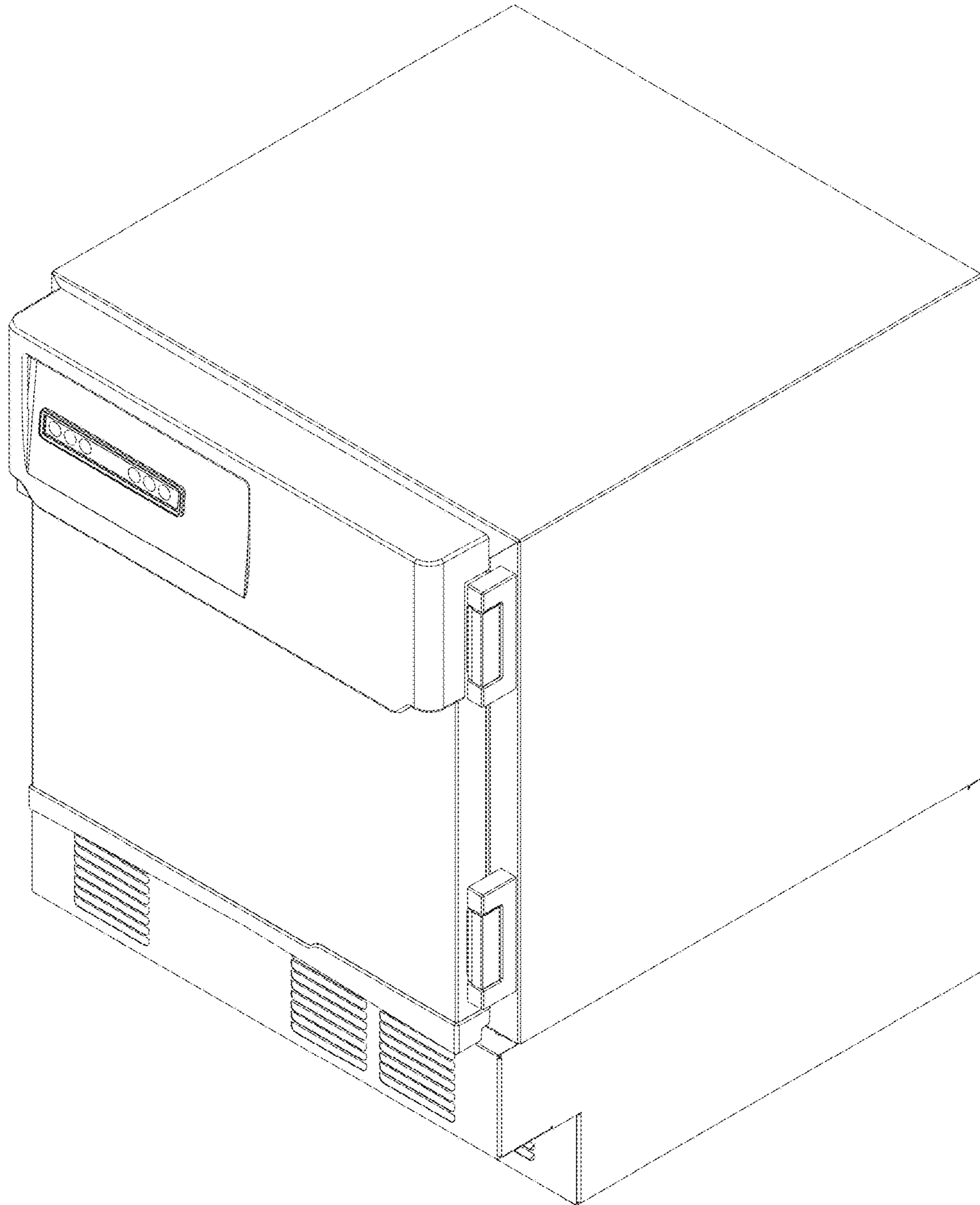


Fig. 7

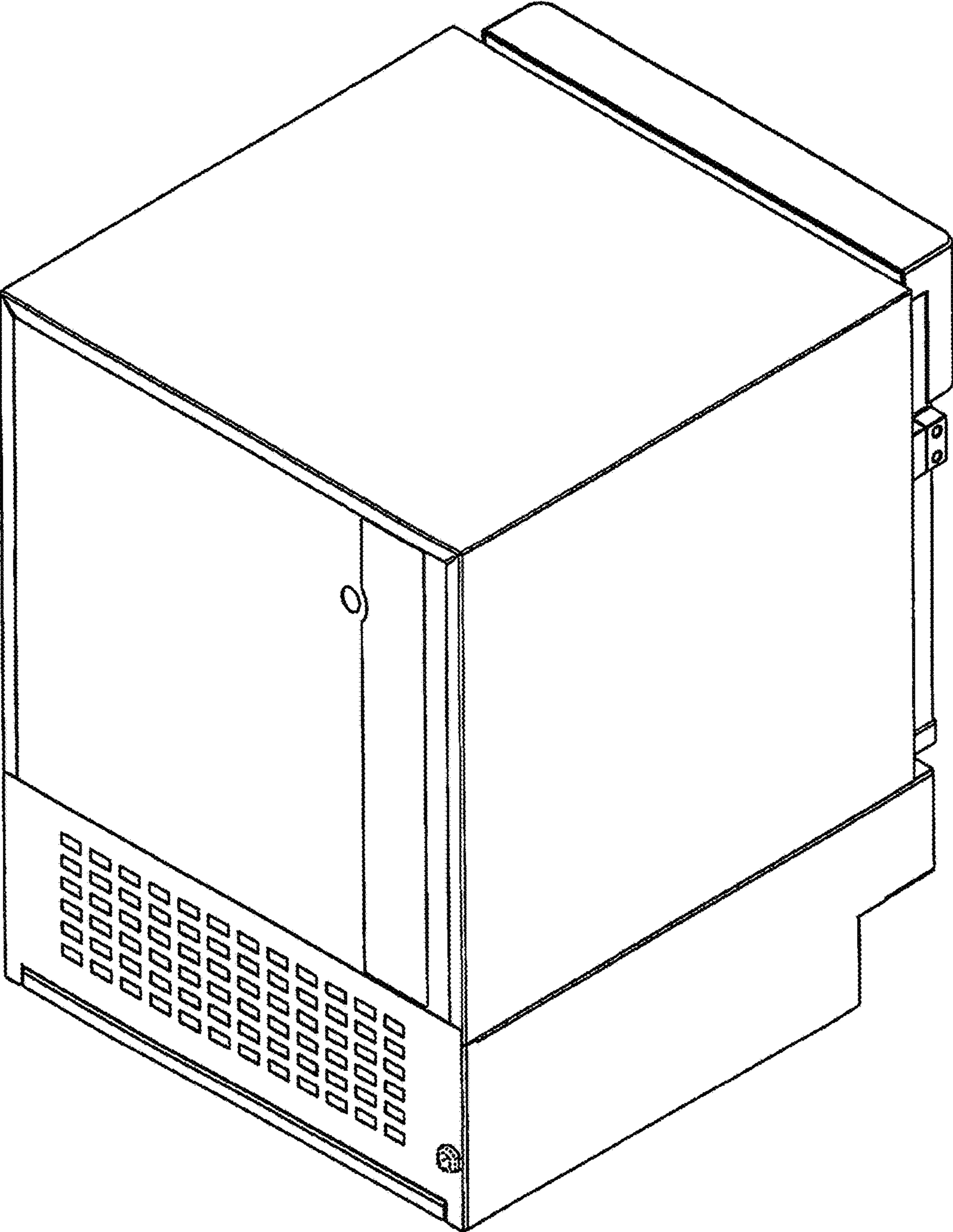


Fig. 8

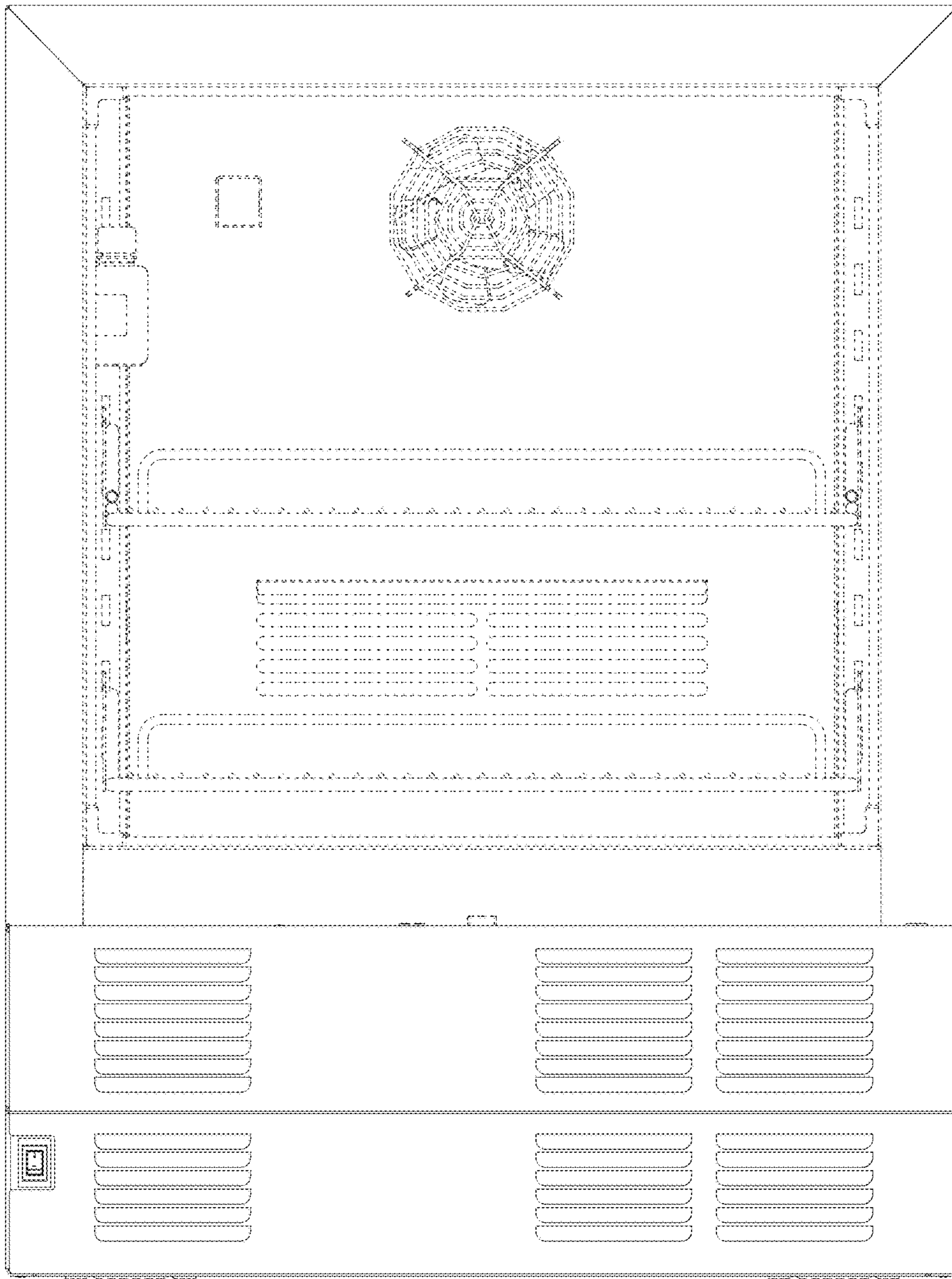


Fig. 9

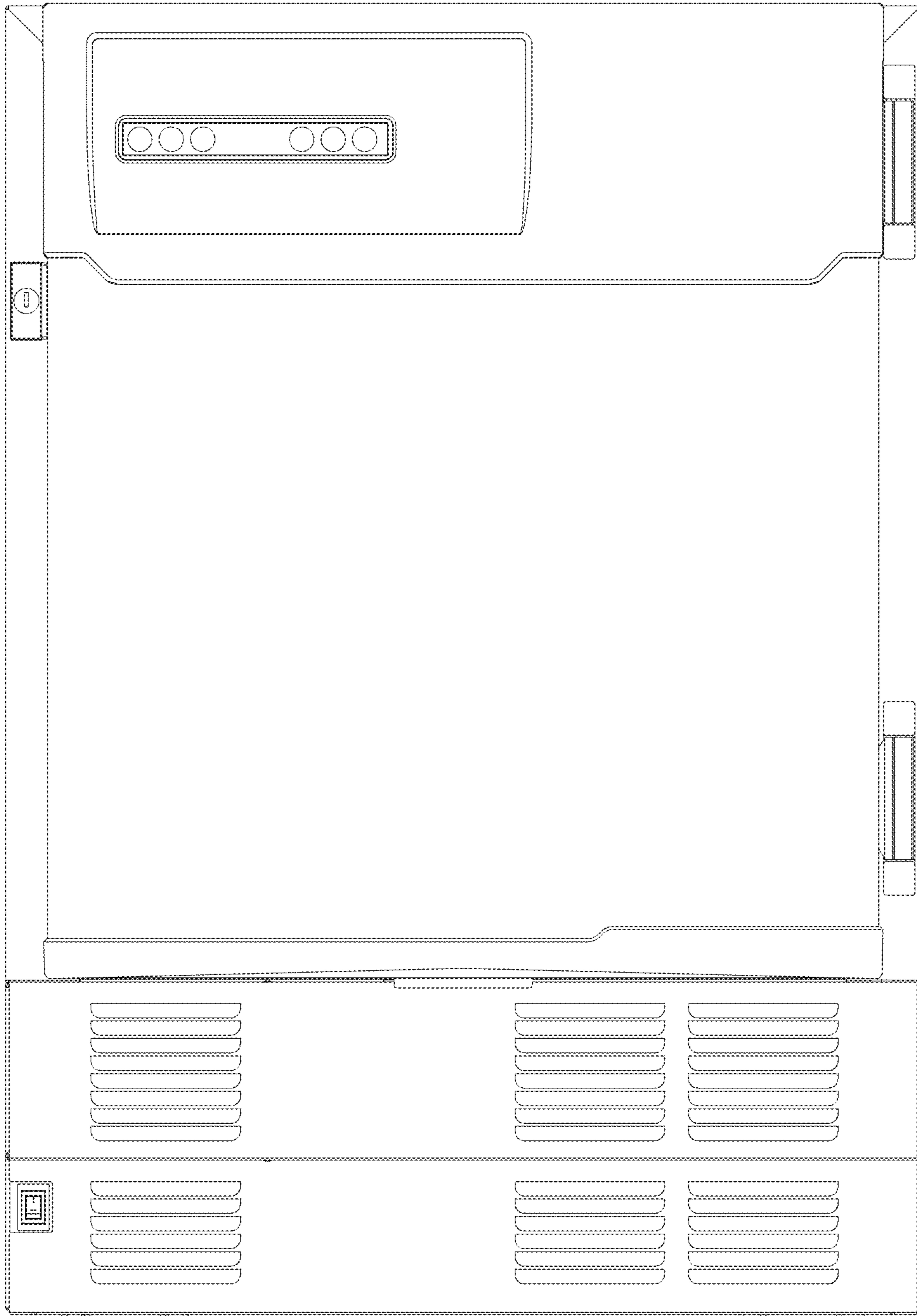


Fig. 10

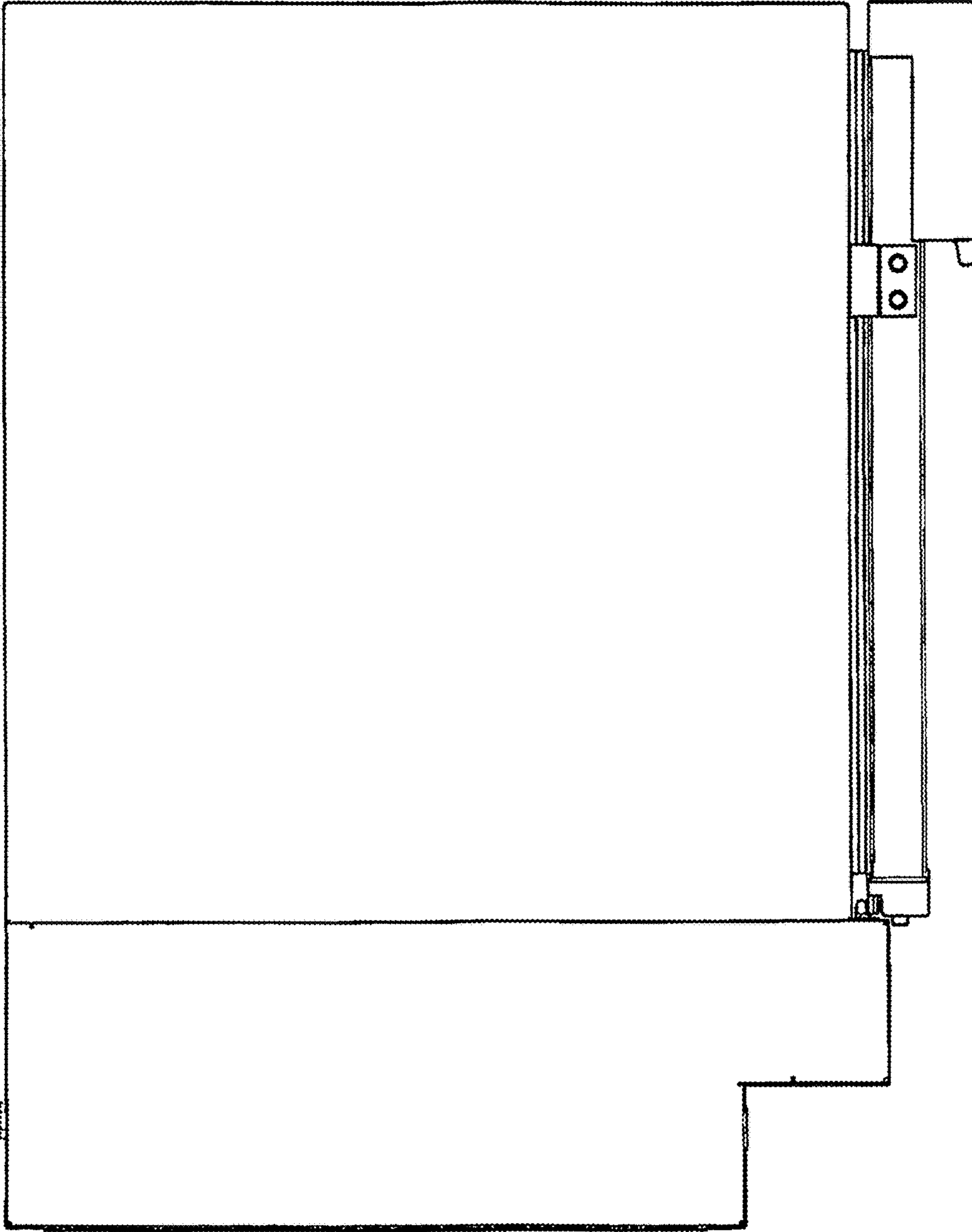


Fig. 11

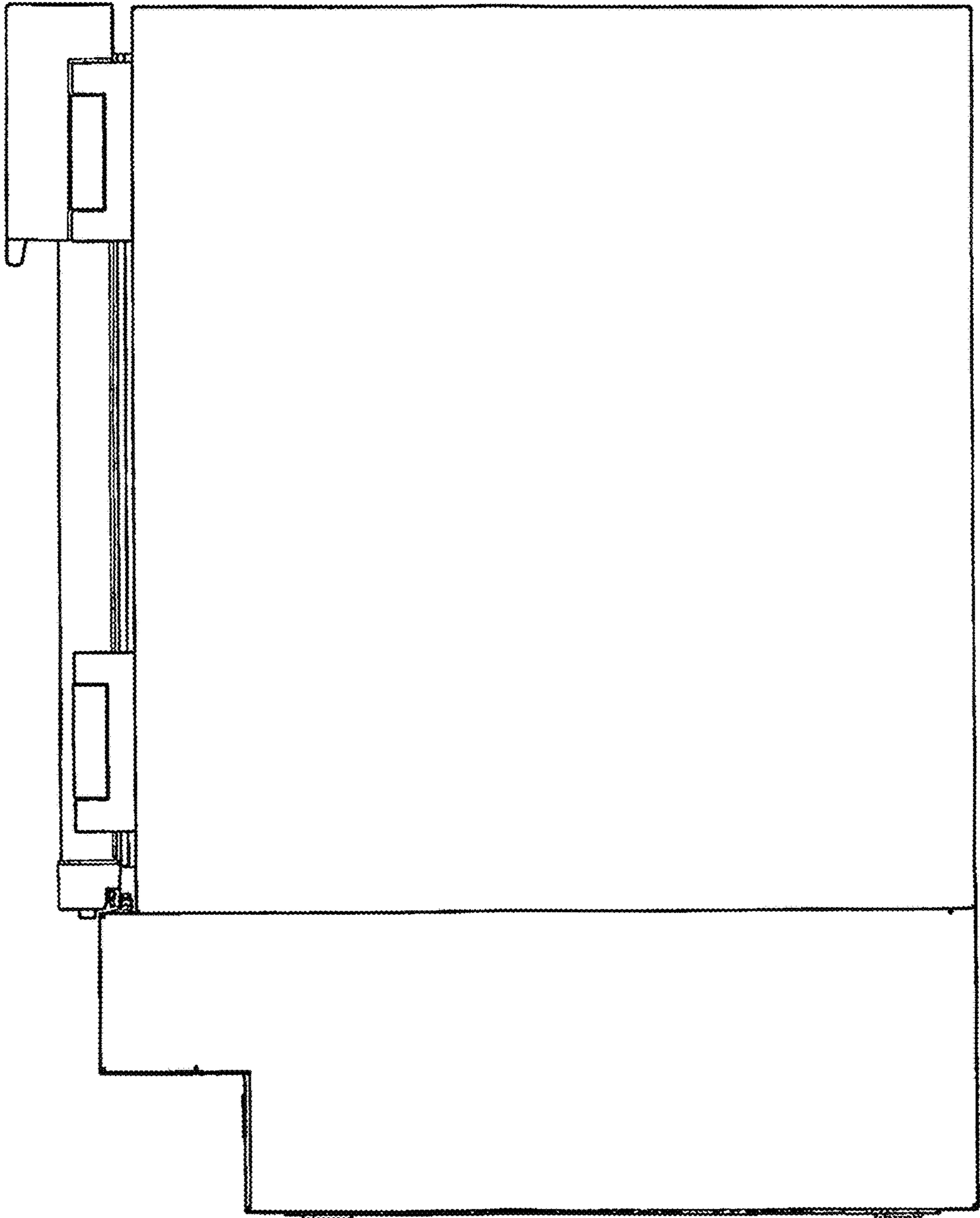


Fig. 12

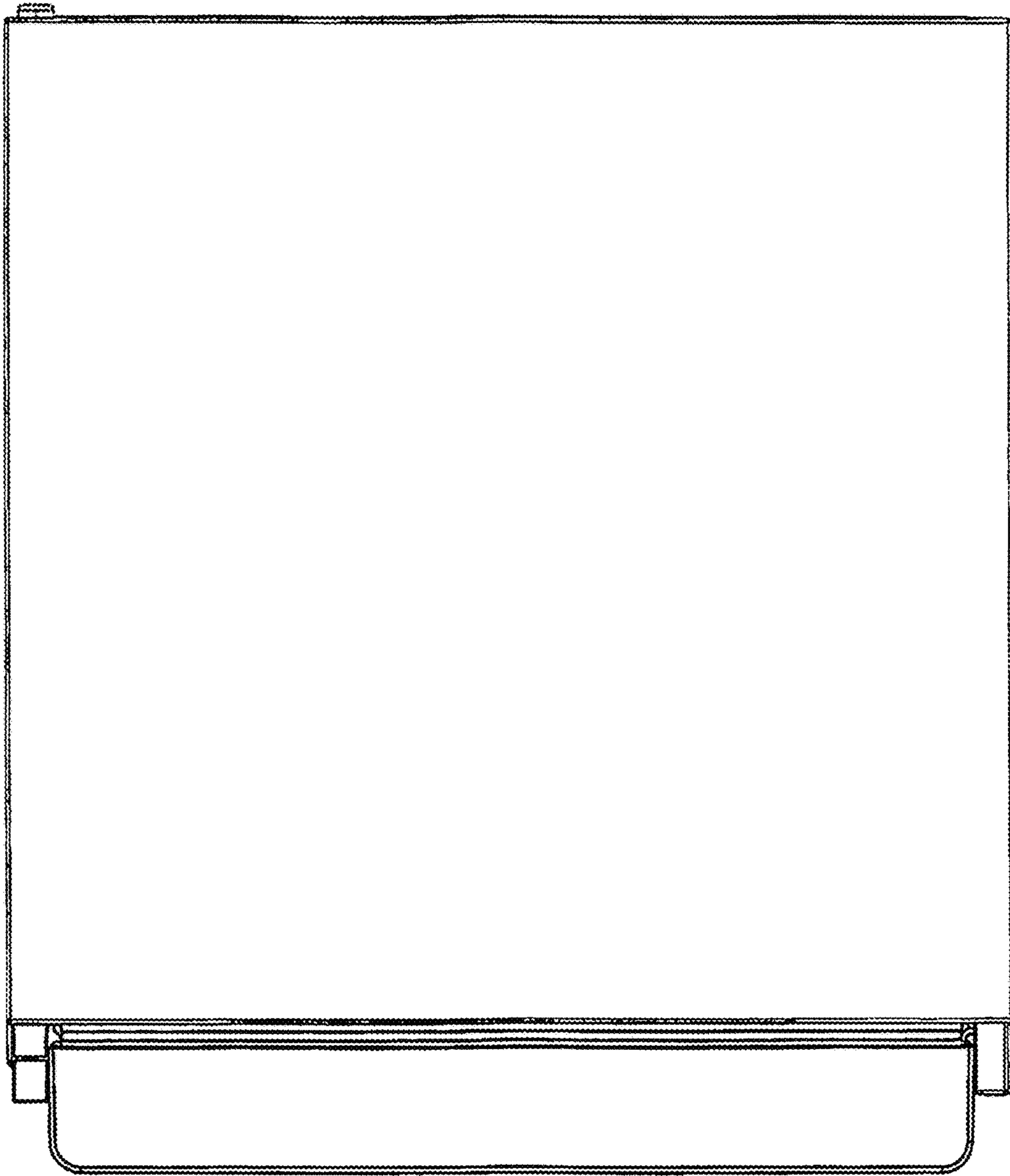


Fig. 13



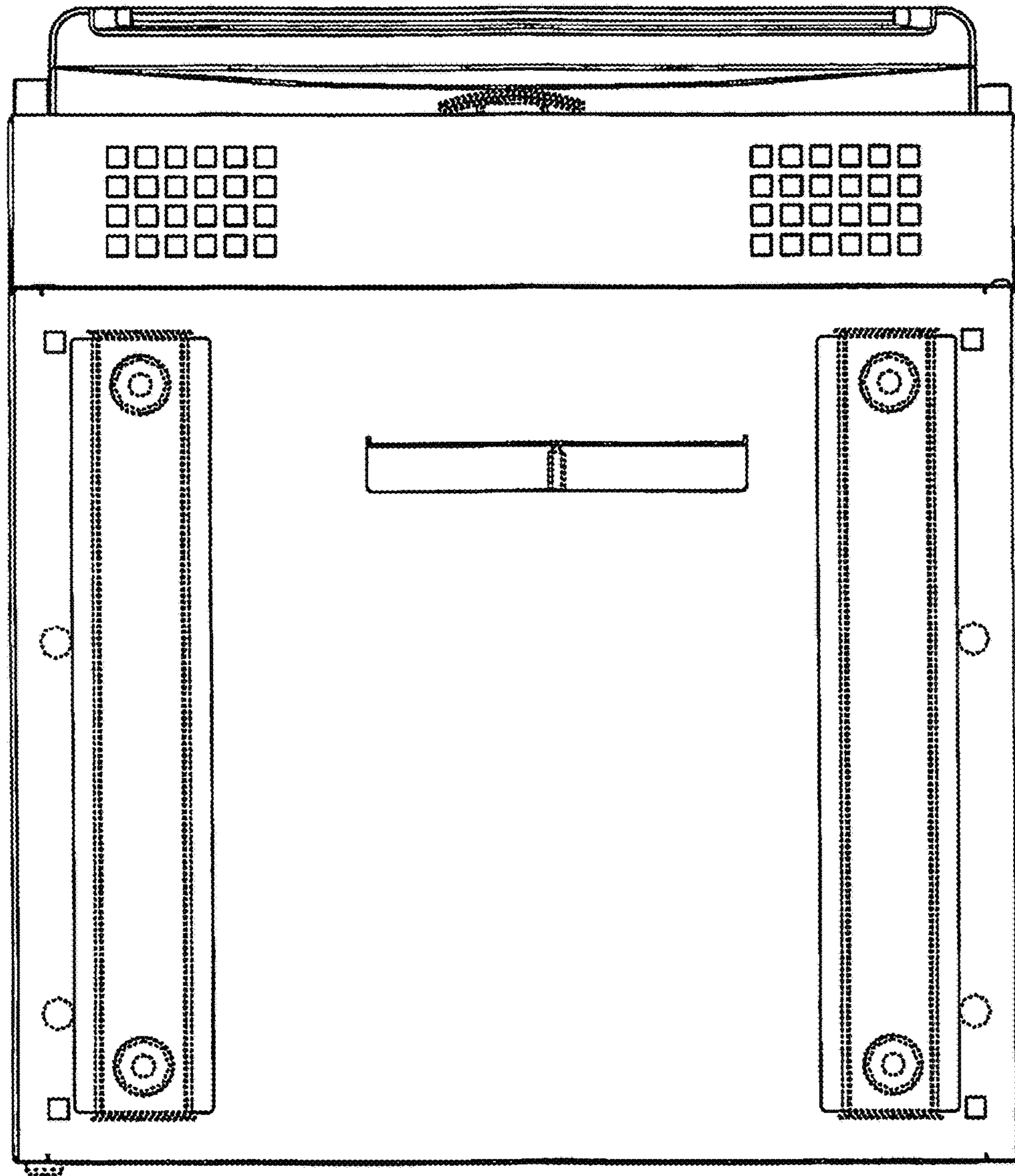


Fig. 14

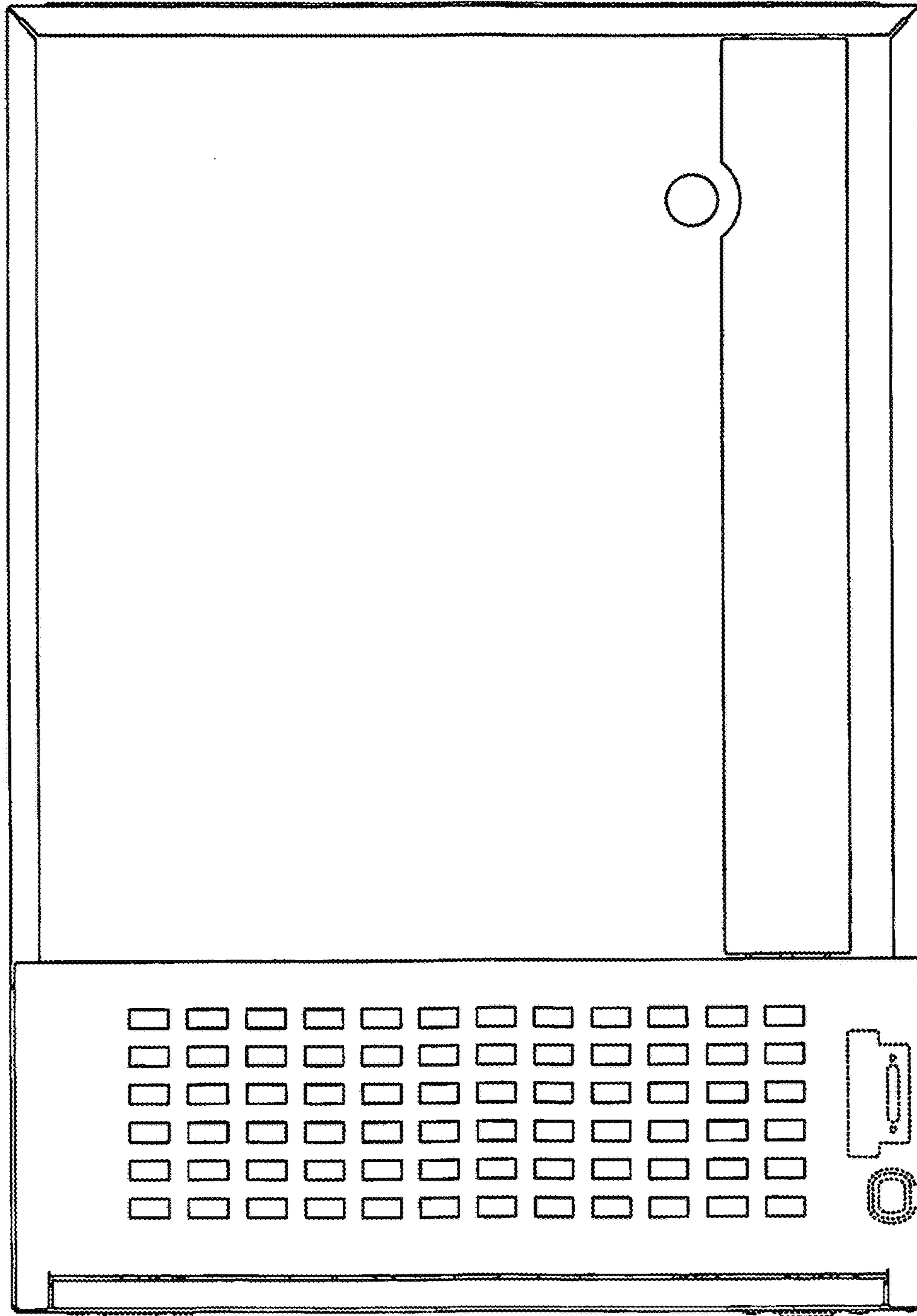


Fig. 15

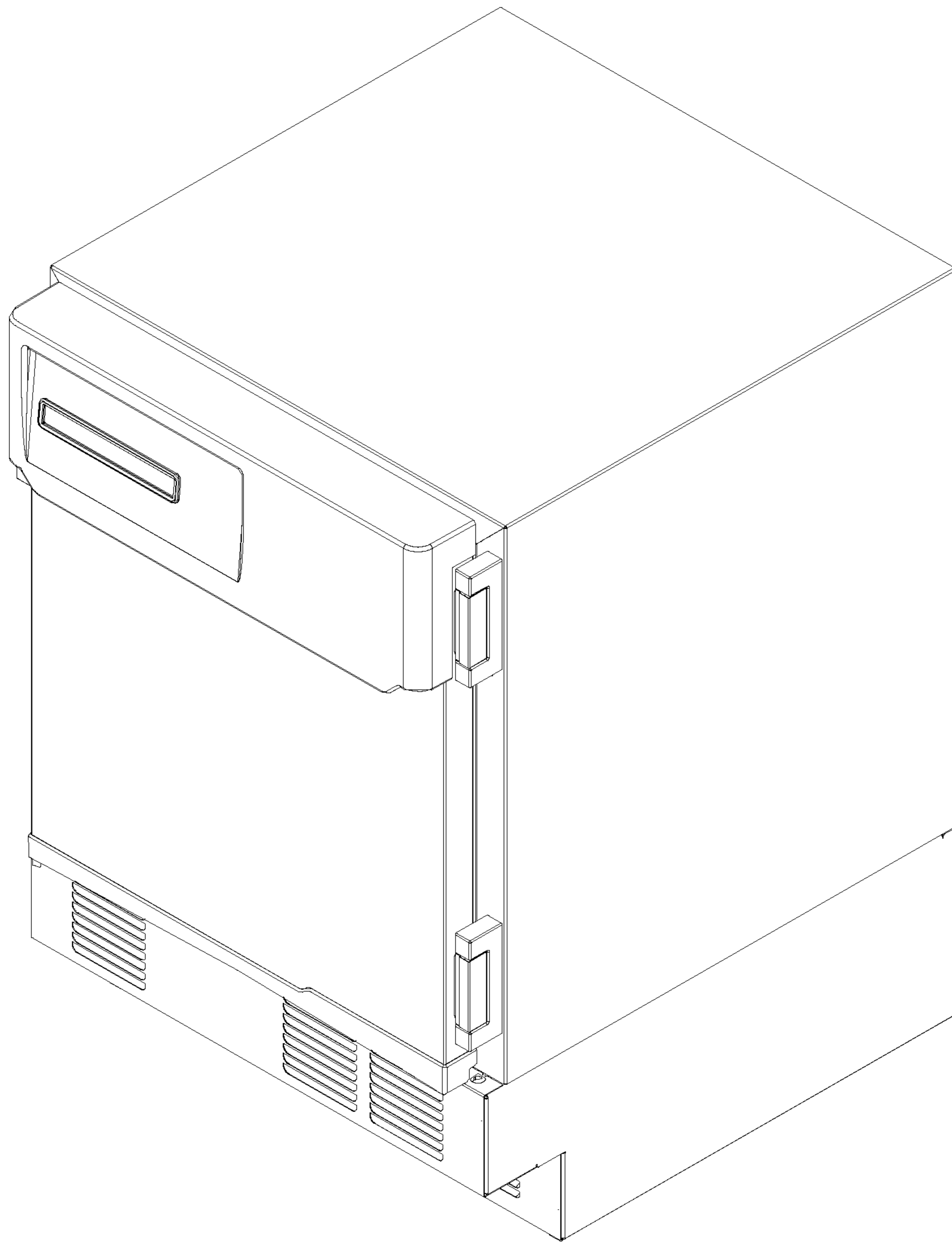


Fig. 16

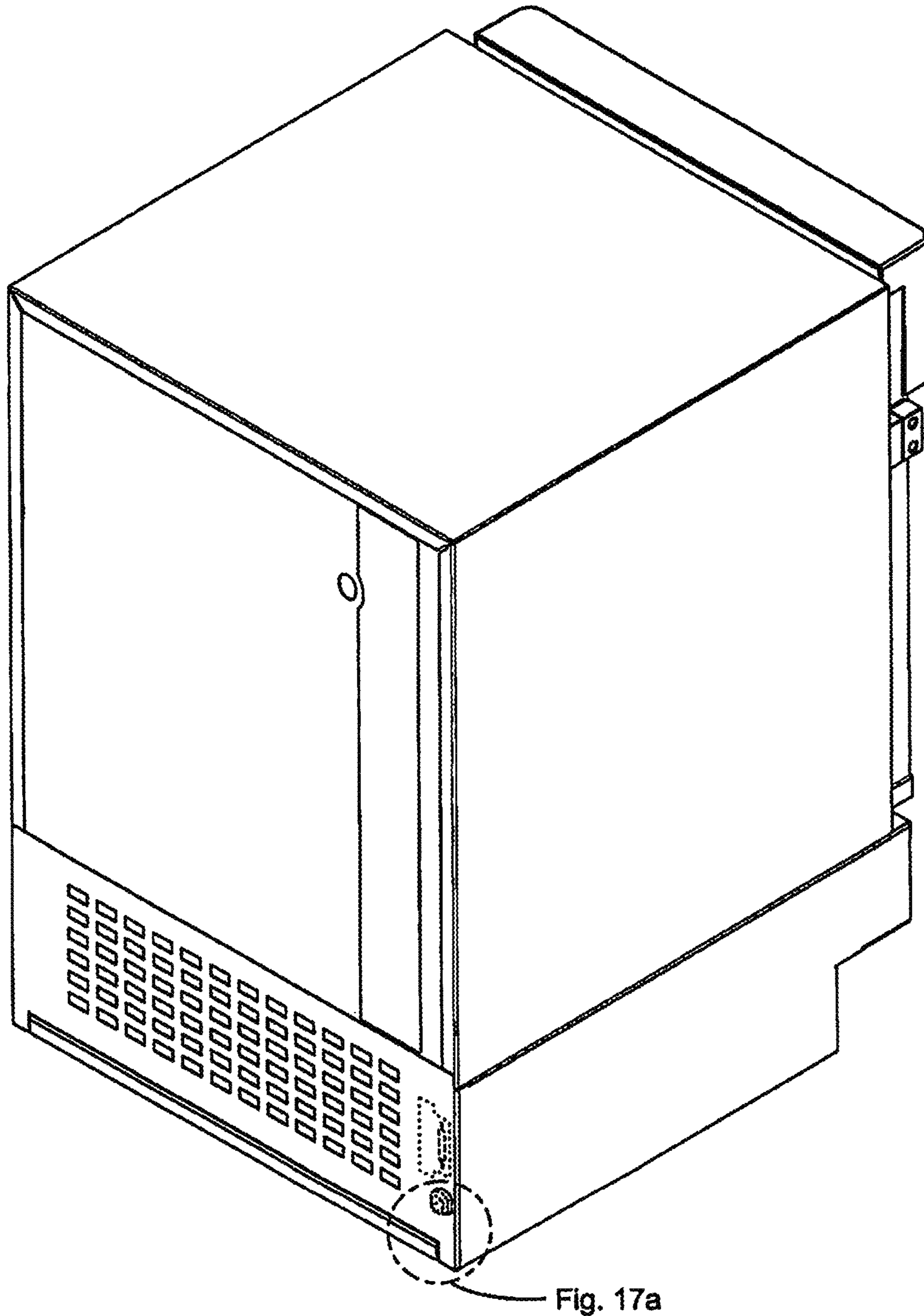


Fig. 17

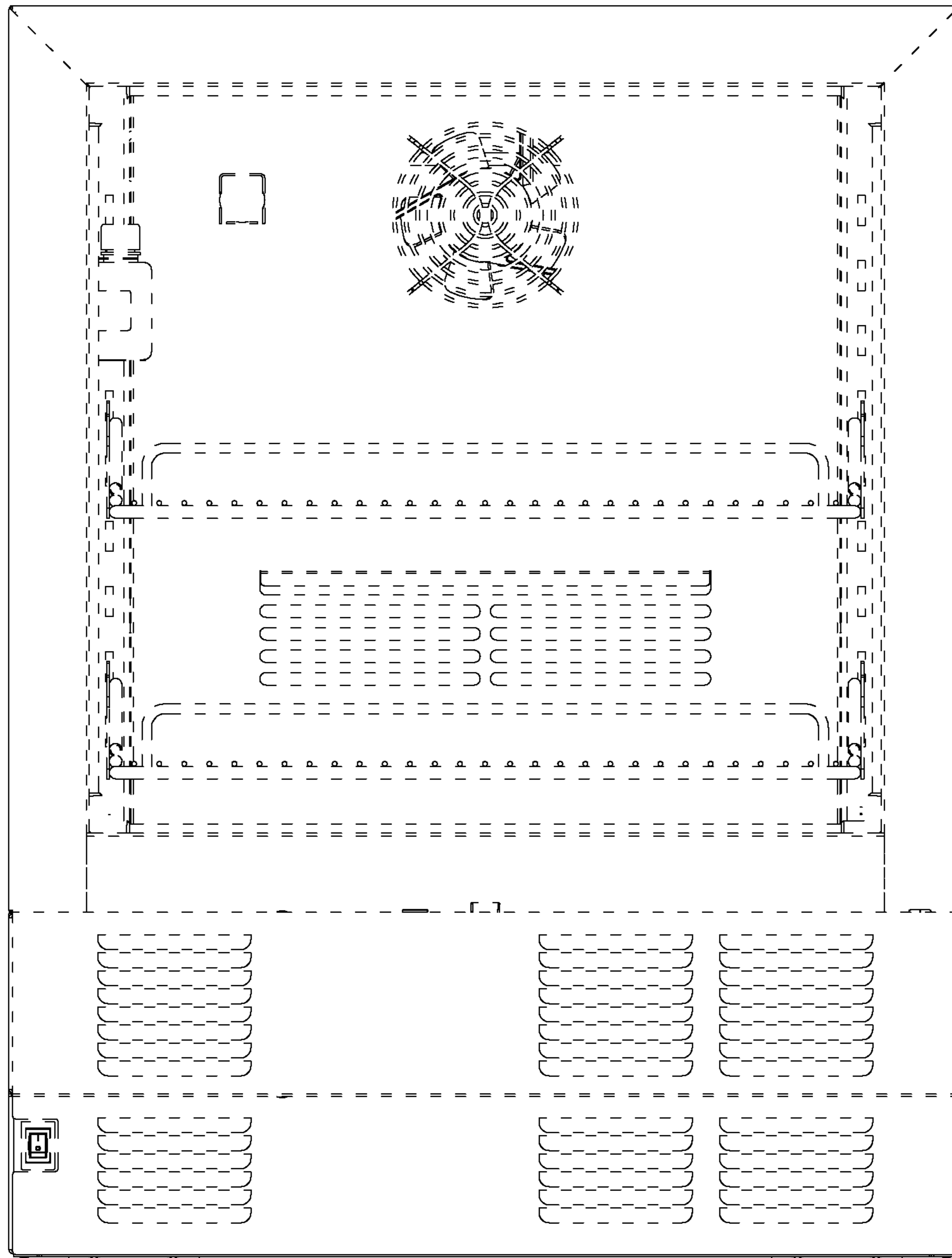


Fig. 18