

US00D832308S

(12) **United States Design Patent**  
**Demski**

(10) **Patent No.:** **US D832,308 S**  
(45) **Date of Patent:** **\*\* Oct. 30, 2018**

- (54) **TRACK LINK**
- (71) Applicant: **Deere & Company**, Moline, IL (US)
- (72) Inventor: **Nathan R. Demski**, Dubuque, IA (US)
- (\*\*) Term: **15 Years**
- (21) Appl. No.: **29/611,990**
- (22) Filed: **Jul. 27, 2017**
- (51) **LOC (11) Cl.** ..... **15-03**
- (52) **U.S. Cl.**  
USPC ..... **D15/28**
- (58) **Field of Classification Search**  
USPC ..... D15/22-26, 28; 305/54, 85 R, 39, 35 R,  
305/201, 200, 135, 185-187, 195, 196,  
305/199, 204, 198, 190, 193, 194; 59/80,  
59/78, 82, 35.1  
CPC ..... B62D 55/20; B62D 55/21; B62D 55/211;  
B62D 55/28; F16G 13/00; F16G 13/02;  
F16G 13/06; F16G 13/07; F16G 13/08  
See application file for complete search history.

(56) **References Cited**

U.S. PATENT DOCUMENTS

5,172,965	A *	12/1992	Taft	.....	B62D 55/205 305/187
5,201,171	A *	4/1993	Anderton	.....	B62D 55/205 29/517
D338,020	S *	8/1993	Taft	.....	D15/28
5,704,697	A *	1/1998	Ketting	.....	B62D 55/12 305/193
5,759,309	A *	6/1998	Watts	.....	C21D 1/02 148/637
5,887,958	A *	3/1999	Bissi	.....	B62D 55/211 305/200
D435,565	S *	12/2000	Barani	.....	D15/28
6,322,173	B1 *	11/2001	Maguire	.....	B62D 55/21 305/185
6,354,679	B1 *	3/2002	Maguire	.....	B62D 55/0887 305/198

8,162,411	B2	4/2012	Sakai et al.	
D665,826	S *	8/2012	Clarke	..... D15/28
8,851,582	B2 *	10/2014	Grenzi	..... B62D 55/21 305/103
9,045,180	B2 *	6/2015	Brewer	..... B62D 55/202
D751,609	S *	3/2016	Meyer	..... D15/28
9,272,742	B2	3/2016	Hisamatsu et al.	
D767,641	S *	9/2016	Knobloch	..... D15/28
D769,333	S *	10/2016	Knobloch	..... D15/28
D775,239	S *	12/2016	Brooks	..... D15/28
D790,599	S *	6/2017	Knobloch	..... D15/28
D804,538	S *	12/2017	Brooks	..... D15/28
2006/0043791	A1 *	3/2006	Sho	..... B62D 55/20 305/198
2010/0270856	A1 *	10/2010	Maeda	..... B62D 55/14 305/142

(Continued)

FOREIGN PATENT DOCUMENTS

JP WO2007108486 A1 9/2007  
*Primary Examiner* — Mark A Goodwin

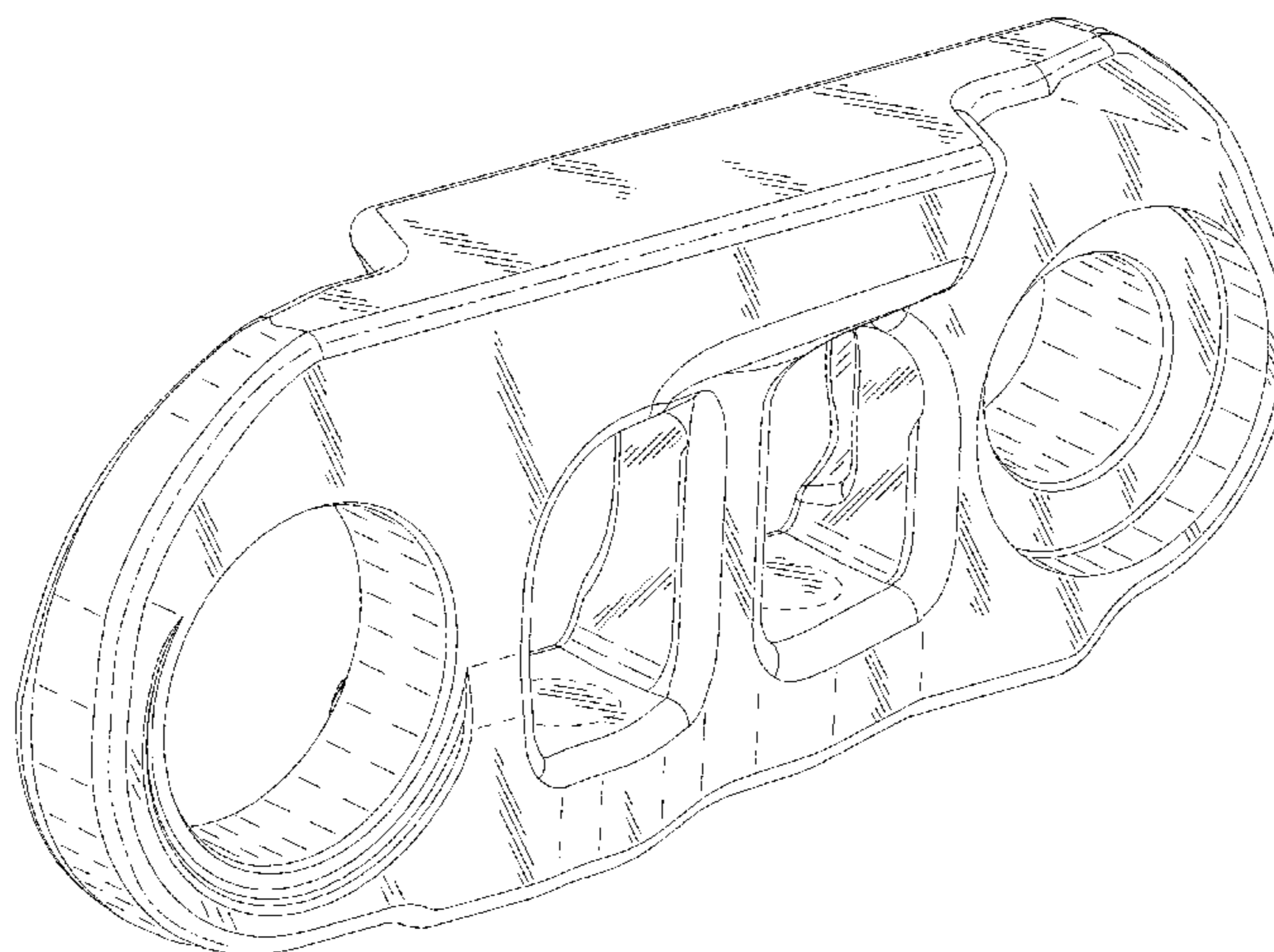
(57) **CLAIM**

The ornamental design for an track link, as shown and described.

**DESCRIPTION**

FIG. 1 is a perspective view of an track link showing our new design.  
 FIG. 2 is a left side view thereof.  
 FIG. 3 is a right side view thereof.  
 FIG. 4 is a front view thereof.  
 FIG. 5 is a rear view thereof.  
 FIG. 6 is a top view thereof; and,  
 FIG. 7 is a bottom view thereof.  
 The broken line representations of environmental structure in FIGS. 1-7 is for illustrative purposes only and forms no part of the claimed design.

**1 Claim, 7 Drawing Sheets**



(56)

**References Cited**

U.S. PATENT DOCUMENTS

2012/0068530 A1\* 3/2012 Grenzi ..... B62D 55/21  
305/104

\* cited by examiner

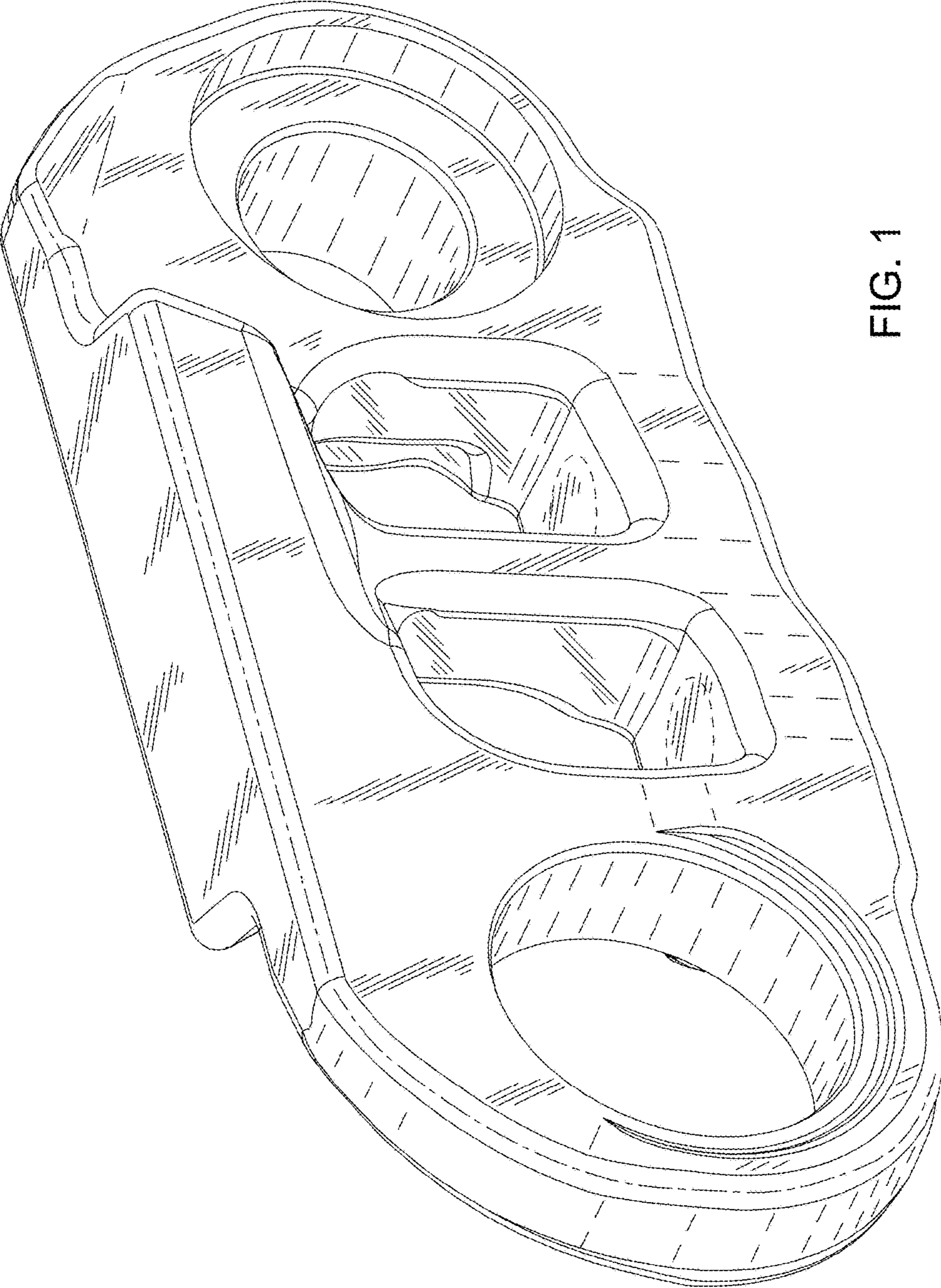


FIG. 1

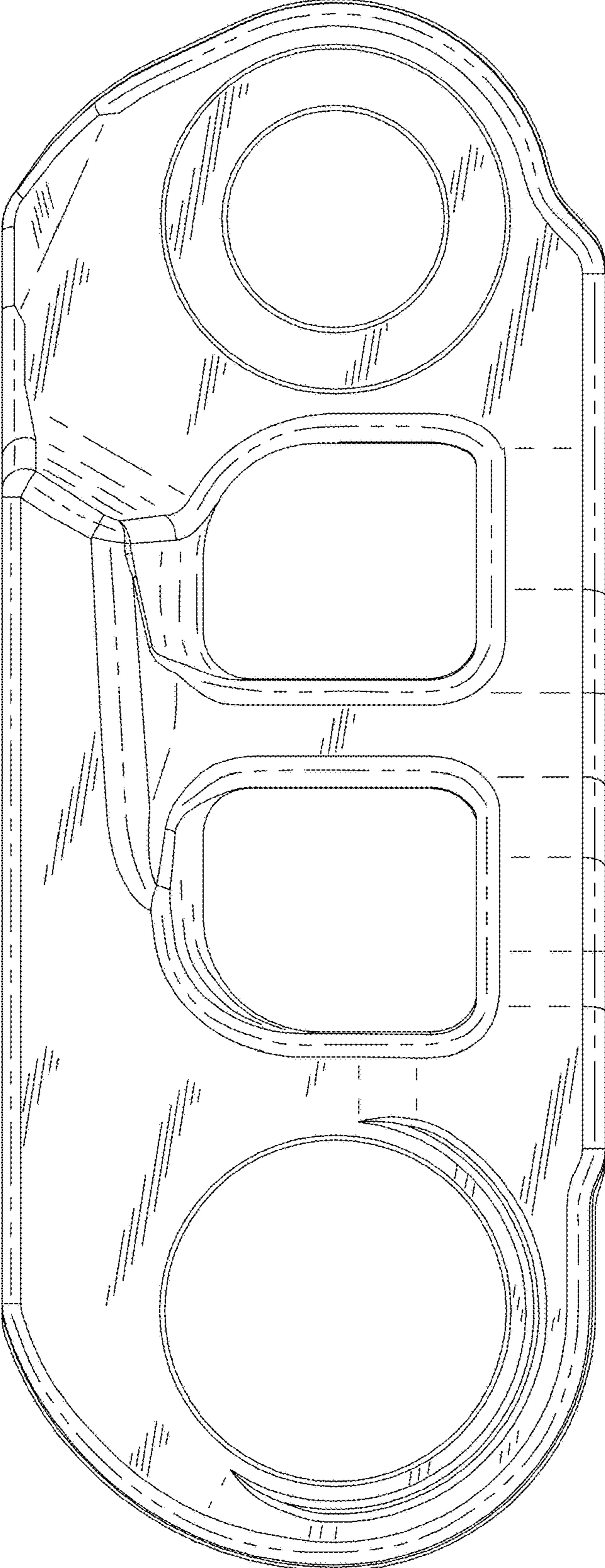


FIG. 2

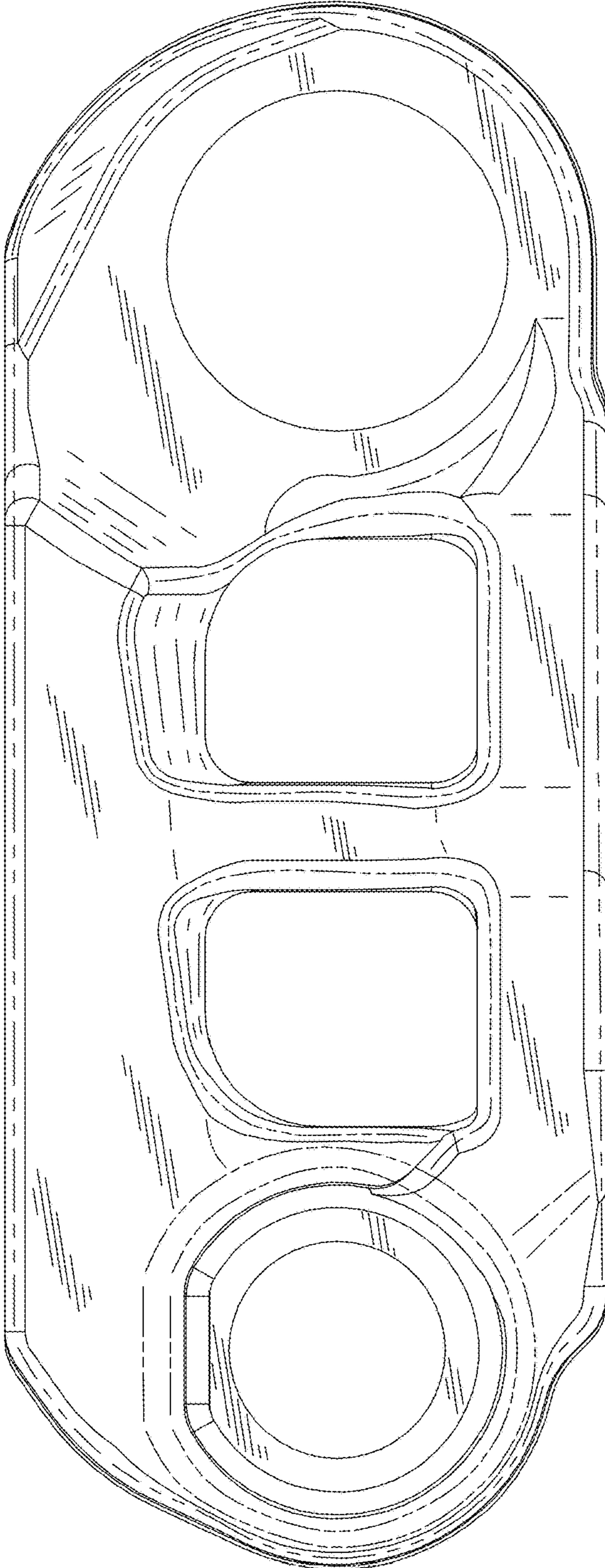


FIG. 3

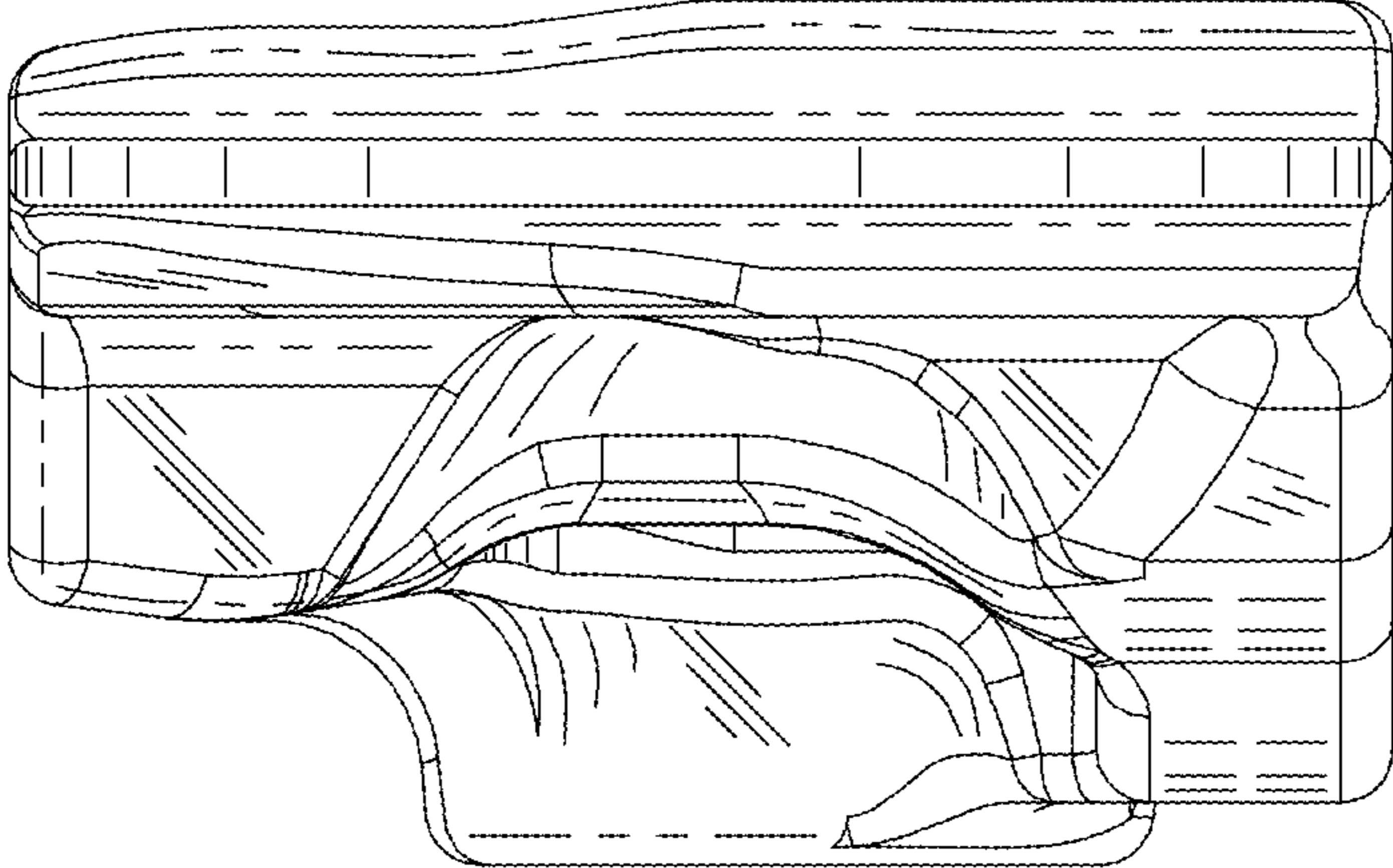


FIG. 4

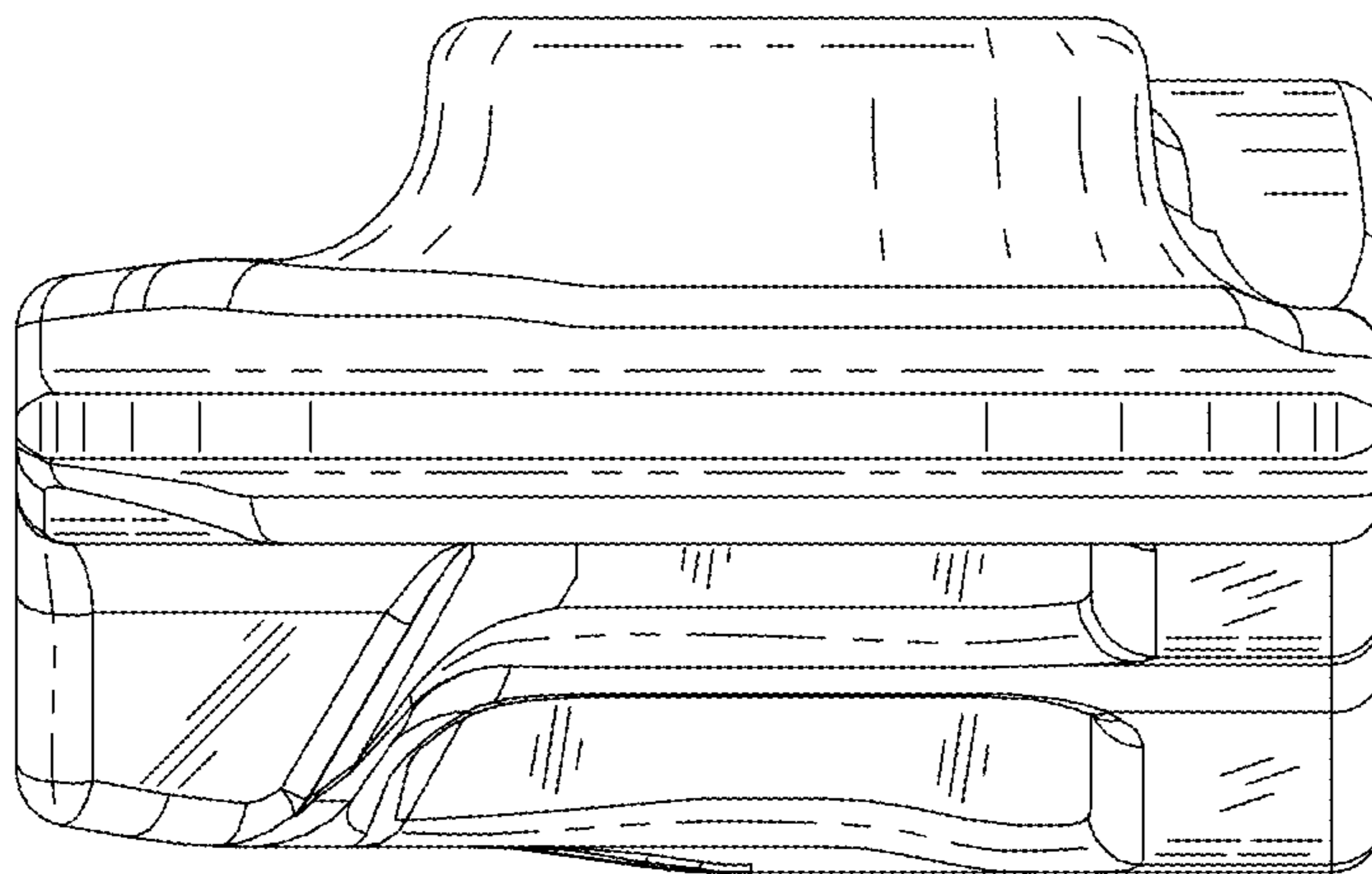


FIG. 5

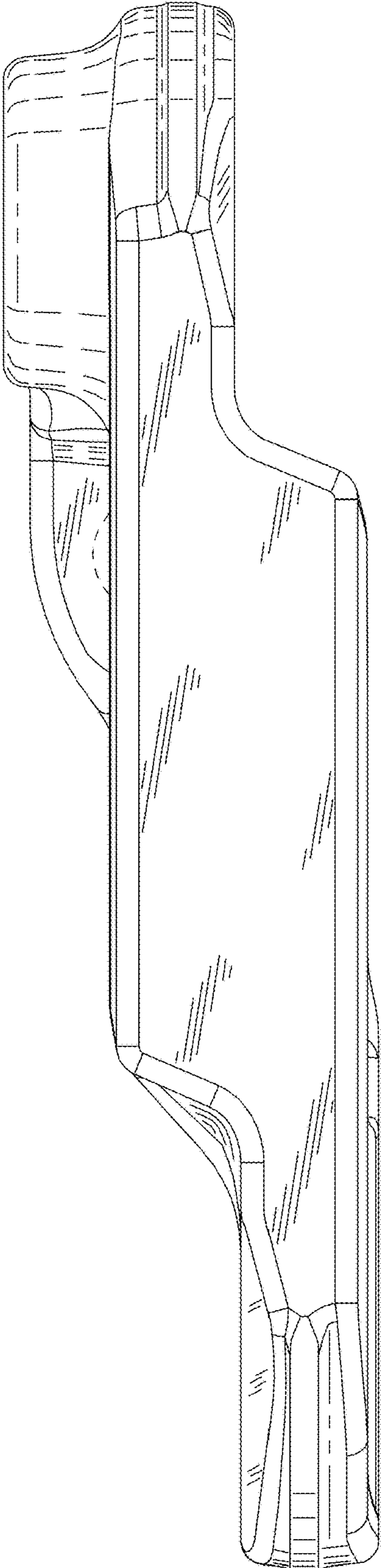


FIG. 6



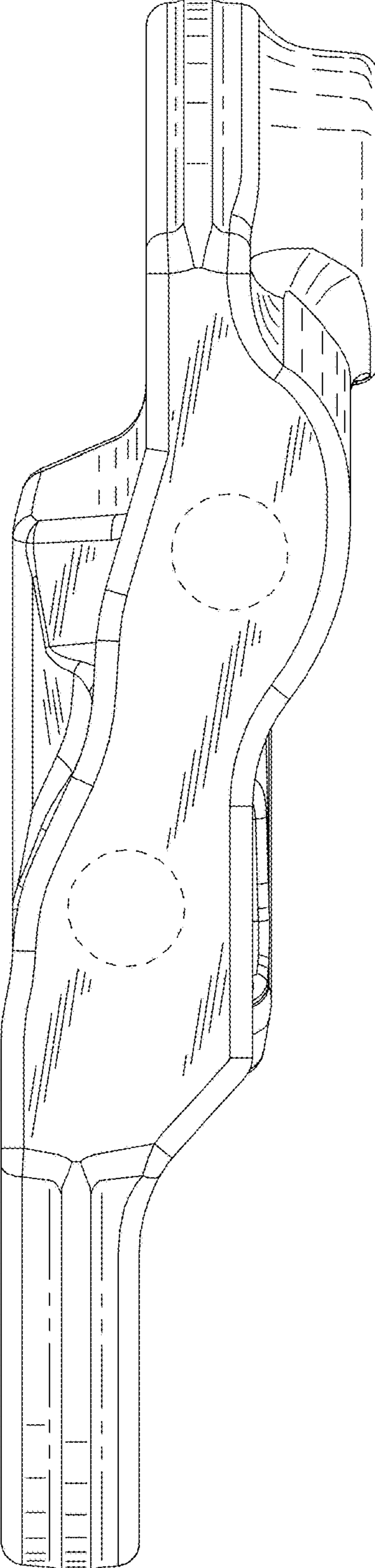


FIG. 7