



US00D832306S

(12) **United States Design Patent**
Liao

(10) **Patent No.:** **US D832,306 S**
(45) **Date of Patent:** **** Oct. 30, 2018**

- (54) **WHITE NOISE MACHINE**
- (71) Applicants: **MPOW TECHNOLOGY CO., LIMITED**, Hong Kong (HK); **Qinglin Liao**, Guangdong (CN)
- (72) Inventor: **Qinglin Liao**, Guangdong (CN)
- (73) Assignees: **MPOW TECHNOLOGY CO., LIMITED**, Hong Kong (HK); **Qinglin Liao**, Shenzhen (CN)

(**) Term: **15 Years**

(21) Appl. No.: **29/612,990**

(22) Filed: **Aug. 7, 2017**

(51) **LOC (11) Cl.** **14-03**

(52) **U.S. Cl.**
USPC **D14/496**

(58) **Field of Classification Search**
USPC D14/125, 137, 140–140.9, 155, 159, 167, D14/168, 172, 188, 194, 203.1, 204, D14/209.1, 216, 217, 221, 225–229, 240, D14/242, 299, 348, 349, 356–358, 432, D14/433, 474, 496, 497, 160, 203.6, 506, D14/509, 231; D10/104.1, 106.1–106.9; D13/108, 110, 123, 158, 177, 199; D21/333, 483, 513
CPC H04L 12/00; H03K 17/00; H04W 88/00; H04W 88/04; H04B 1/38; G10H 1/361; H04R 5/00; H04R 1/02; H04R 1/04; H04R 1/08

See application file for complete search history.

(56) **References Cited**

U.S. PATENT DOCUMENTS

- D346,598 S * 5/1994 McCay D14/137
- D381,019 S * 7/1997 Muller D24/231
- D396,722 S * 8/1998 Benedetti D14/194
- D537,072 S * 2/2007 Kim D14/215

- D638,426 S * 5/2011 Ikeda D14/240
- D662,939 S * 7/2012 Akana D14/447
- D685,355 S * 7/2013 Holleman D14/240
- D726,156 S * 4/2015 Gillespie-Brown D14/216
- D727,877 S * 4/2015 Seoc D14/209.1
- D752,531 S * 3/2016 Xu D14/125
- D770,417 S * 11/2016 Chen D14/216
- D776,656 S * 1/2017 Lagerstedt D14/240
- D776,657 S * 1/2017 Lagerstedt D14/240
- D786,200 S * 5/2017 Lagerstedt D13/168

(Continued)

OTHER PUBLICATIONS

White Noise Machine with 24 Soothing Sounds for Sleeping Well by Pictek Review, YouTube online, post date Jun. 24, 2018, <URL: <https://www.youtube.com/watch?v=02Fb2llv-NY>>, retrieved Jul. 17, 2018.*

(Continued)

Primary Examiner — Jeffrey D Asch
Assistant Examiner — Rebekah A Caruso

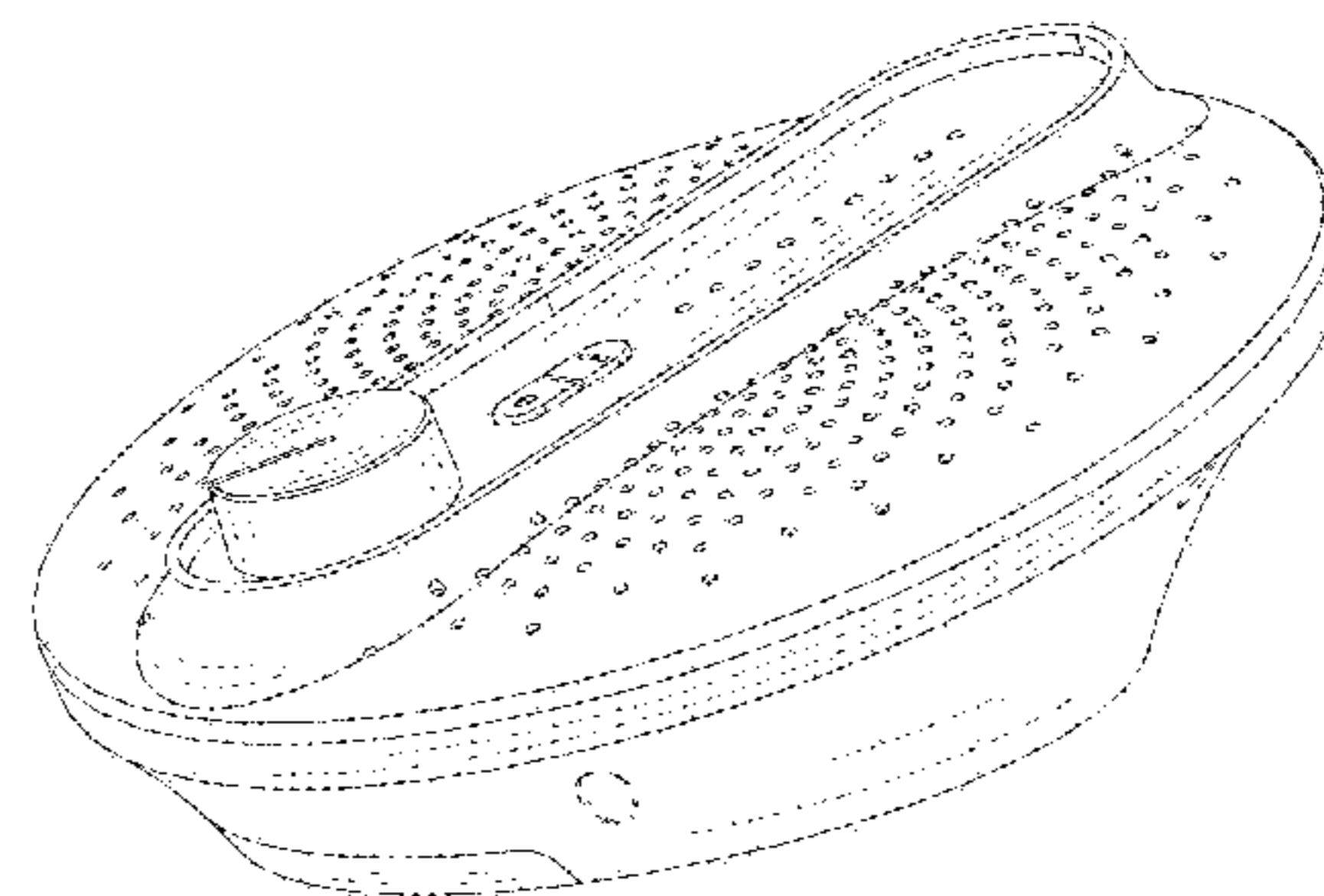
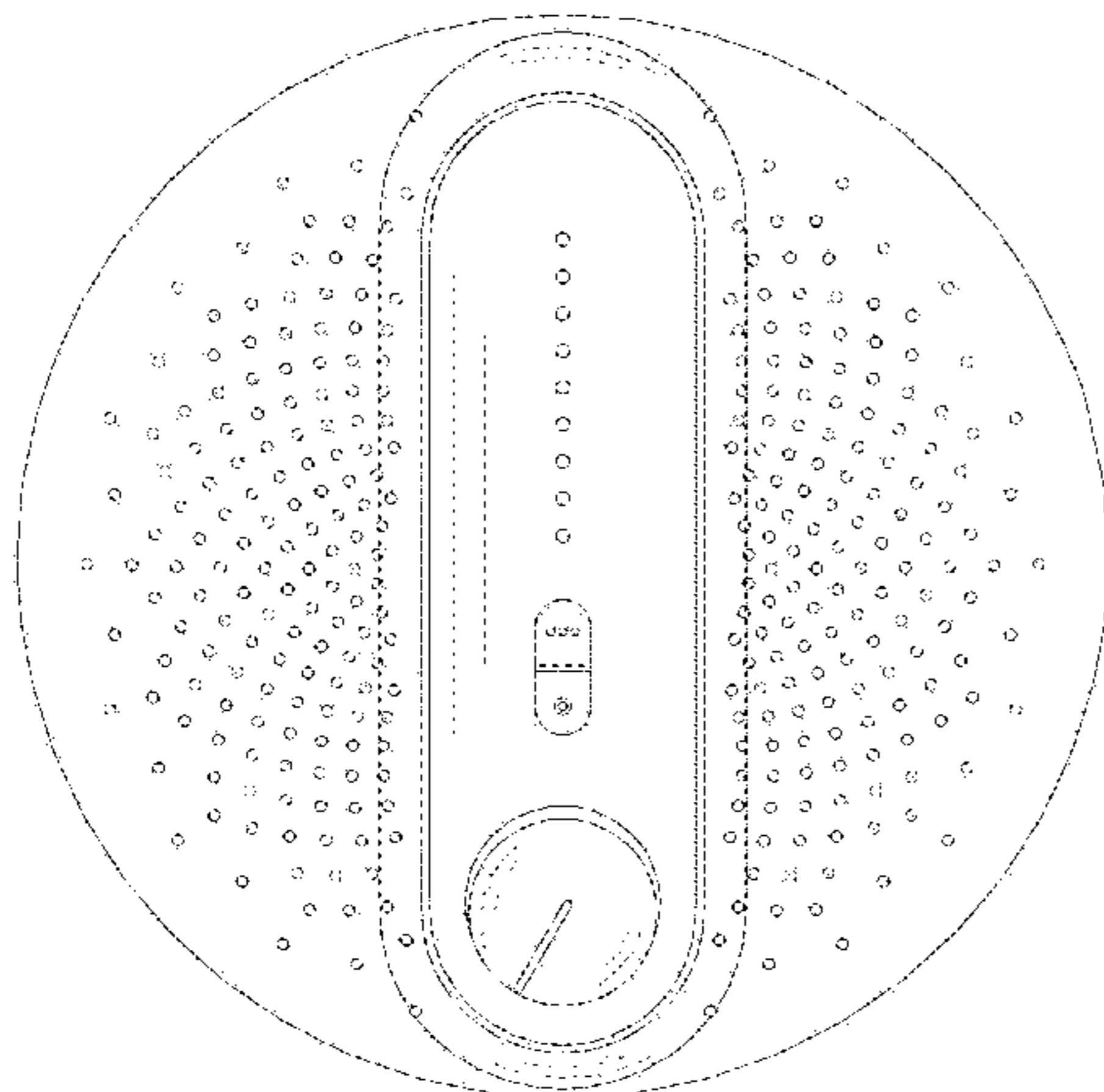
(57) **CLAIM**

The ornamental design for a white noise machine, as shown and described.

DESCRIPTION

FIG. 1 is a front elevational view of a white noise machine showing my new design;
FIG. 2 is a rear elevational view thereof;
FIG. 3 is a left side view thereof;
FIG. 4 is a right side view thereof;
FIG. 5 is a top plan view thereof;
FIG. 6 is a bottom plan thereof;
FIG. 7 is a first perspective view thereof;
FIG. 8 is a second perspective view thereof; and,
FIG. 9 is a third perspective view thereof.
The broken lines in the drawings illustrate portions of the white noise machine which form no part of the claimed design.

1 Claim, 9 Drawing Sheets



(56)

References Cited

U.S. PATENT DOCUMENTS

D794,598 S * 8/2017 Clerc D14/150
D803,191 S * 11/2017 Luo D14/216

OTHER PUBLICATIONS

SONEic Sleep, Relax and Focus Sound Machine, Amazon online, first review post date Sep. 20, 2015, <URL: <https://www.amazon.com/SONEic-Machine-Soothing-Natural-Headphone/dp/B00PJ8QLXI?th=1>>, retrieved Jul. 17, 2018.*

* cited by examiner

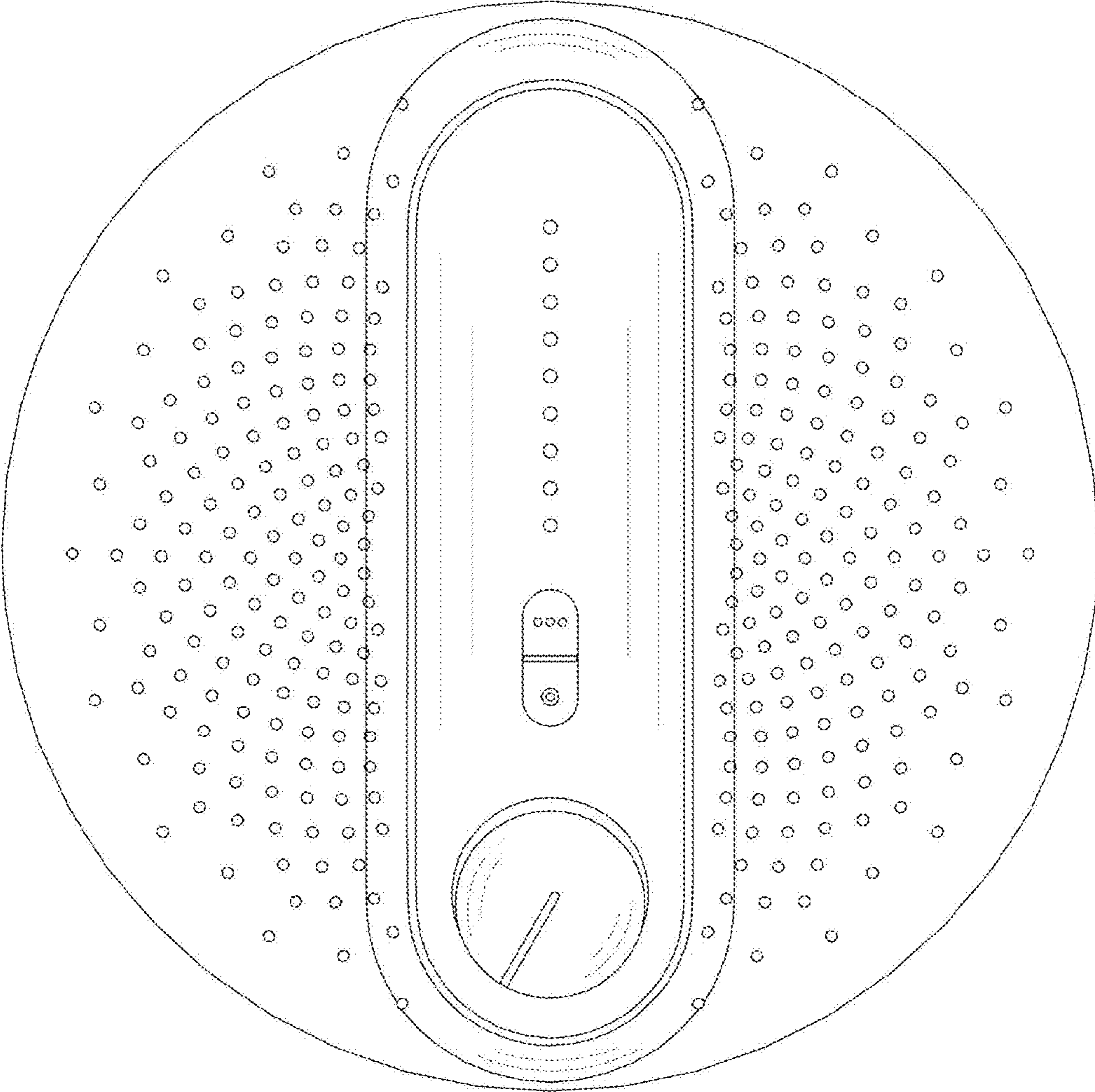


Fig. 1

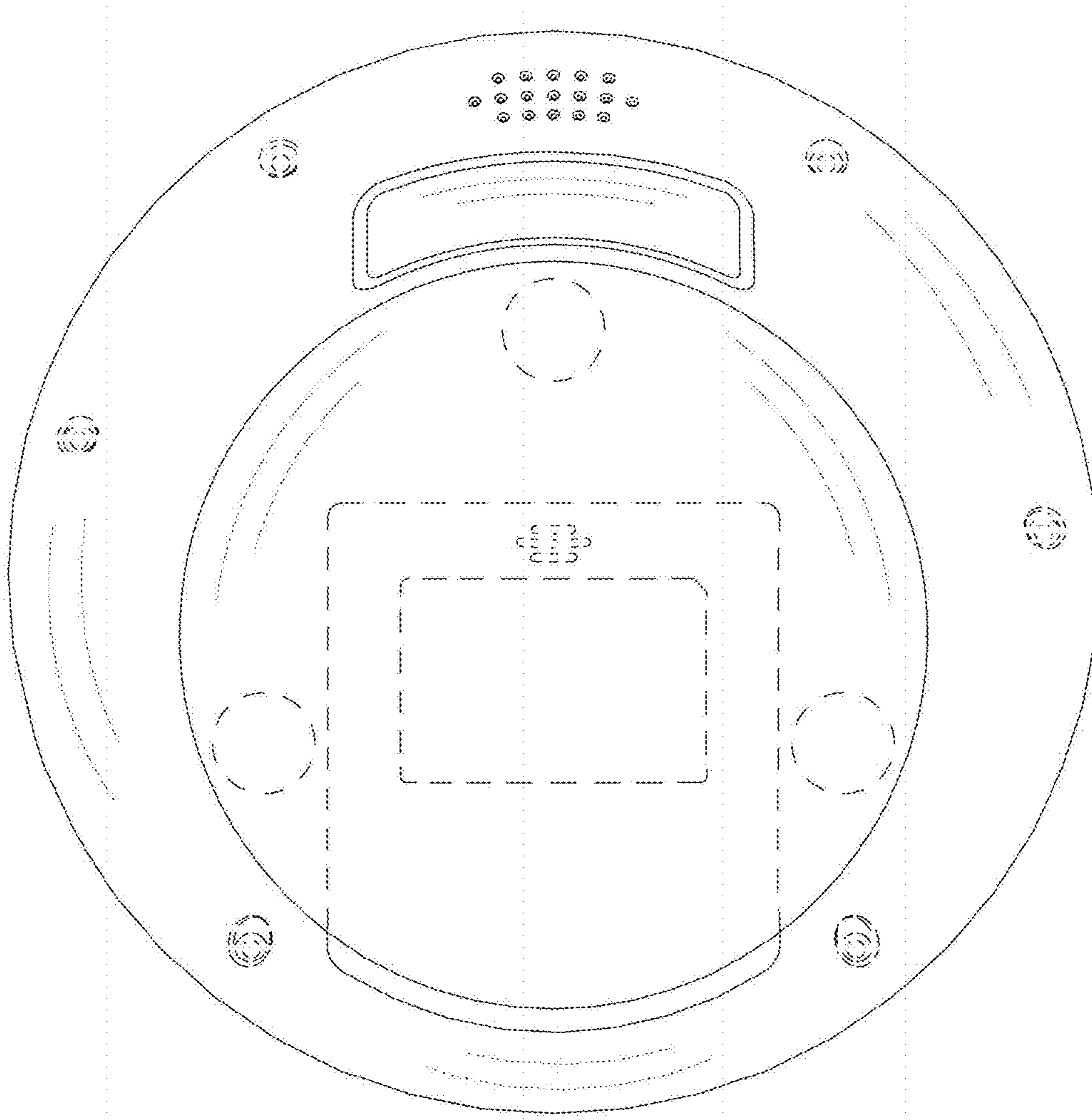


Fig. 2

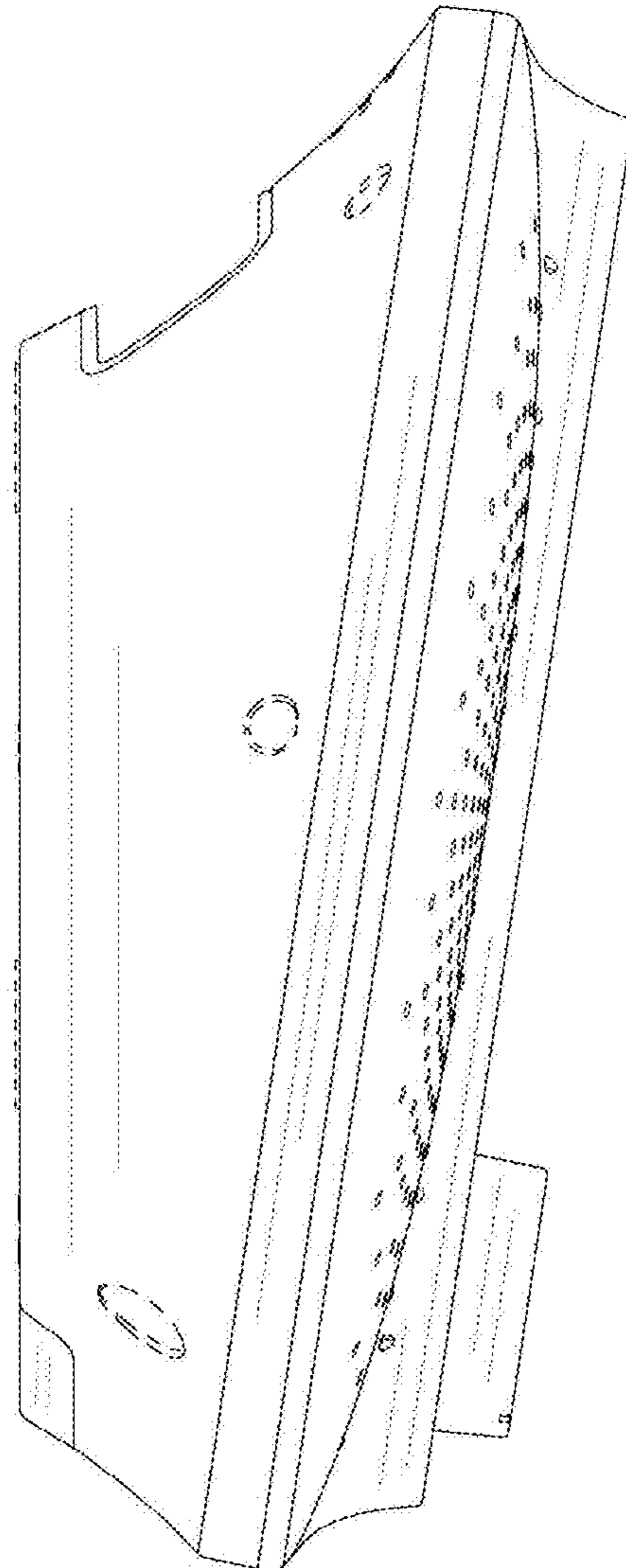


Fig. 3

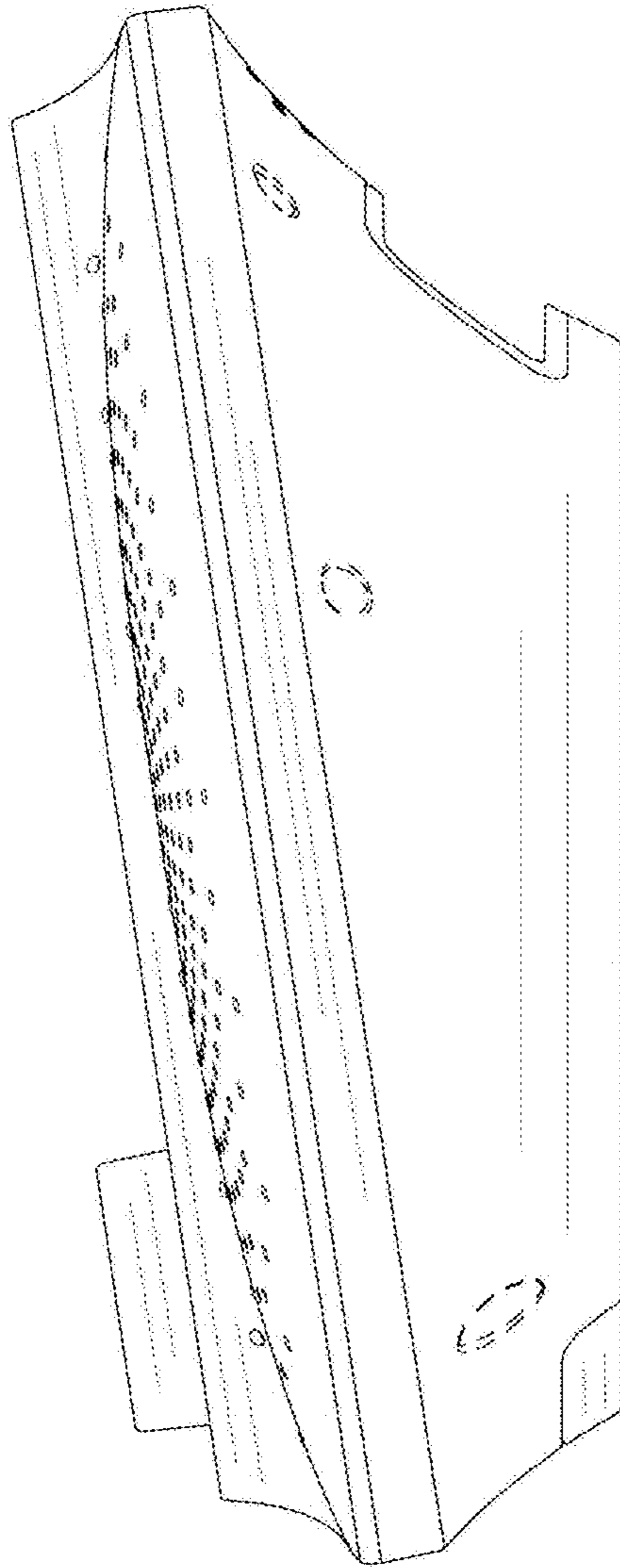


Fig. 4

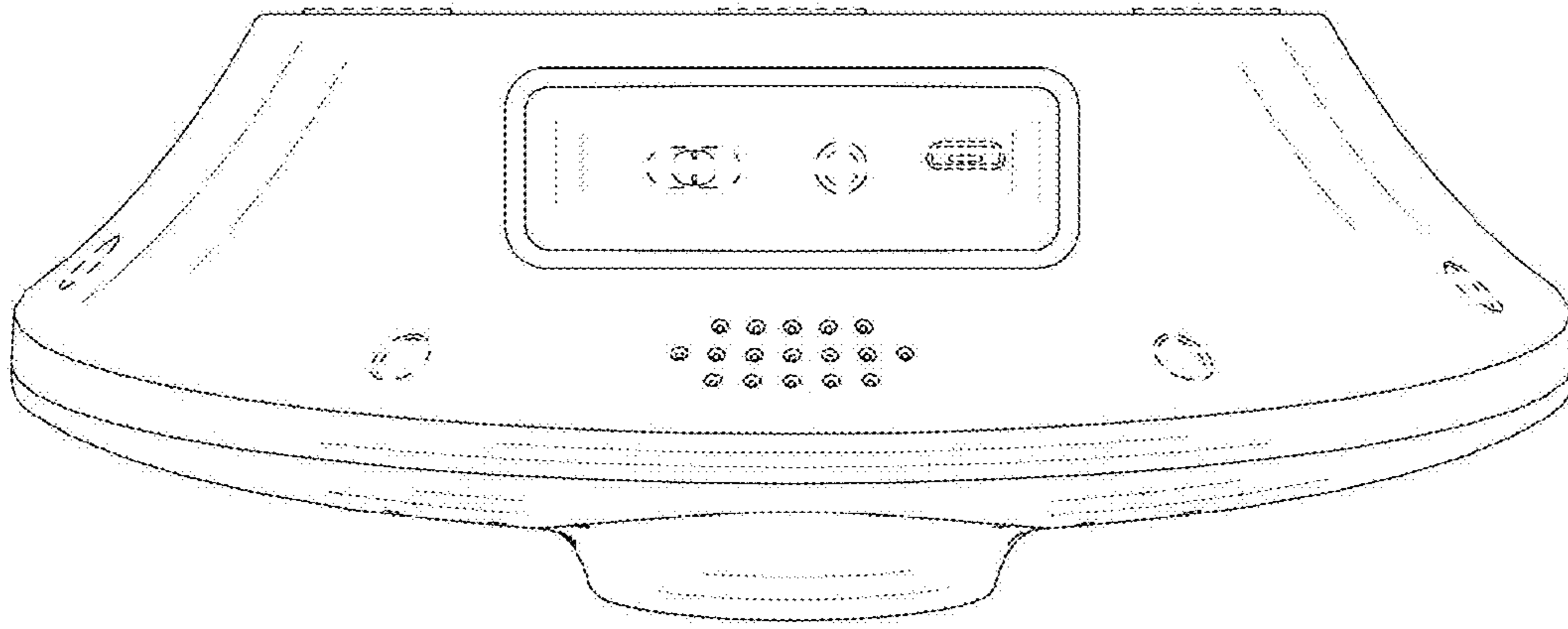


Fig. 5

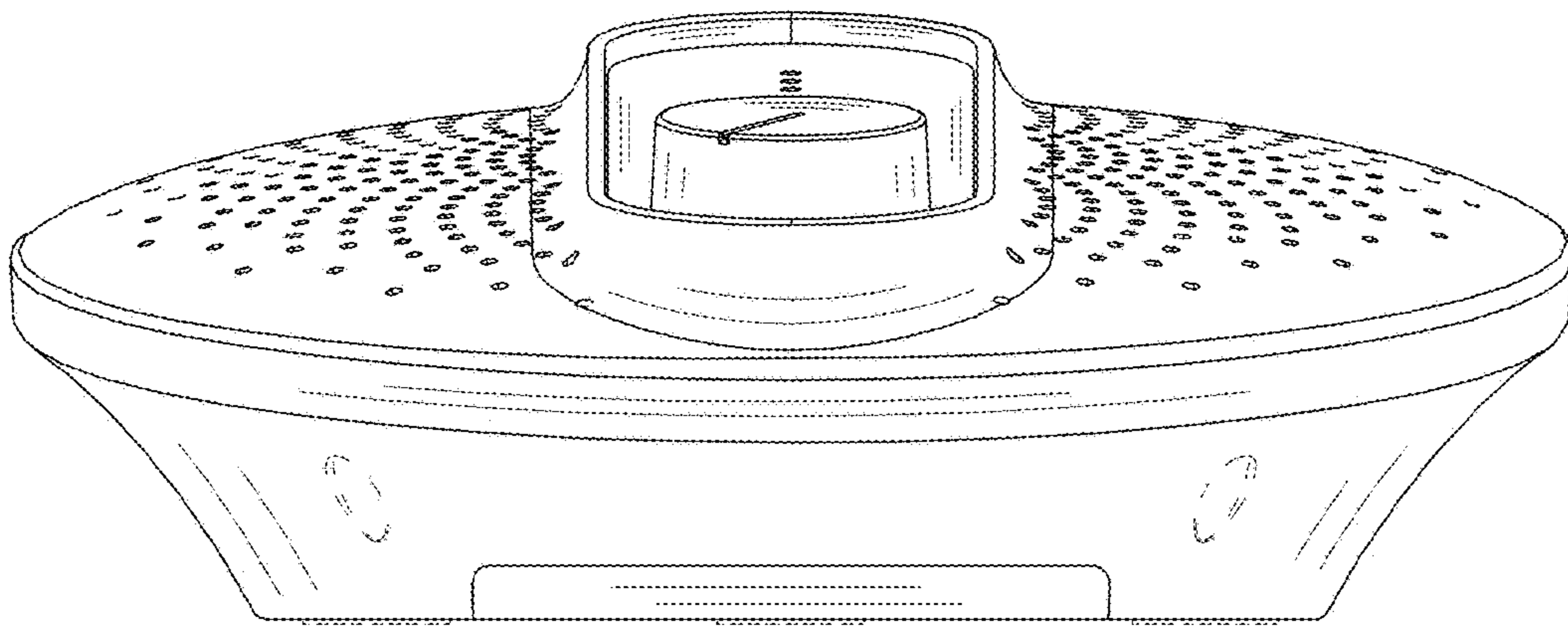


FIG. 6

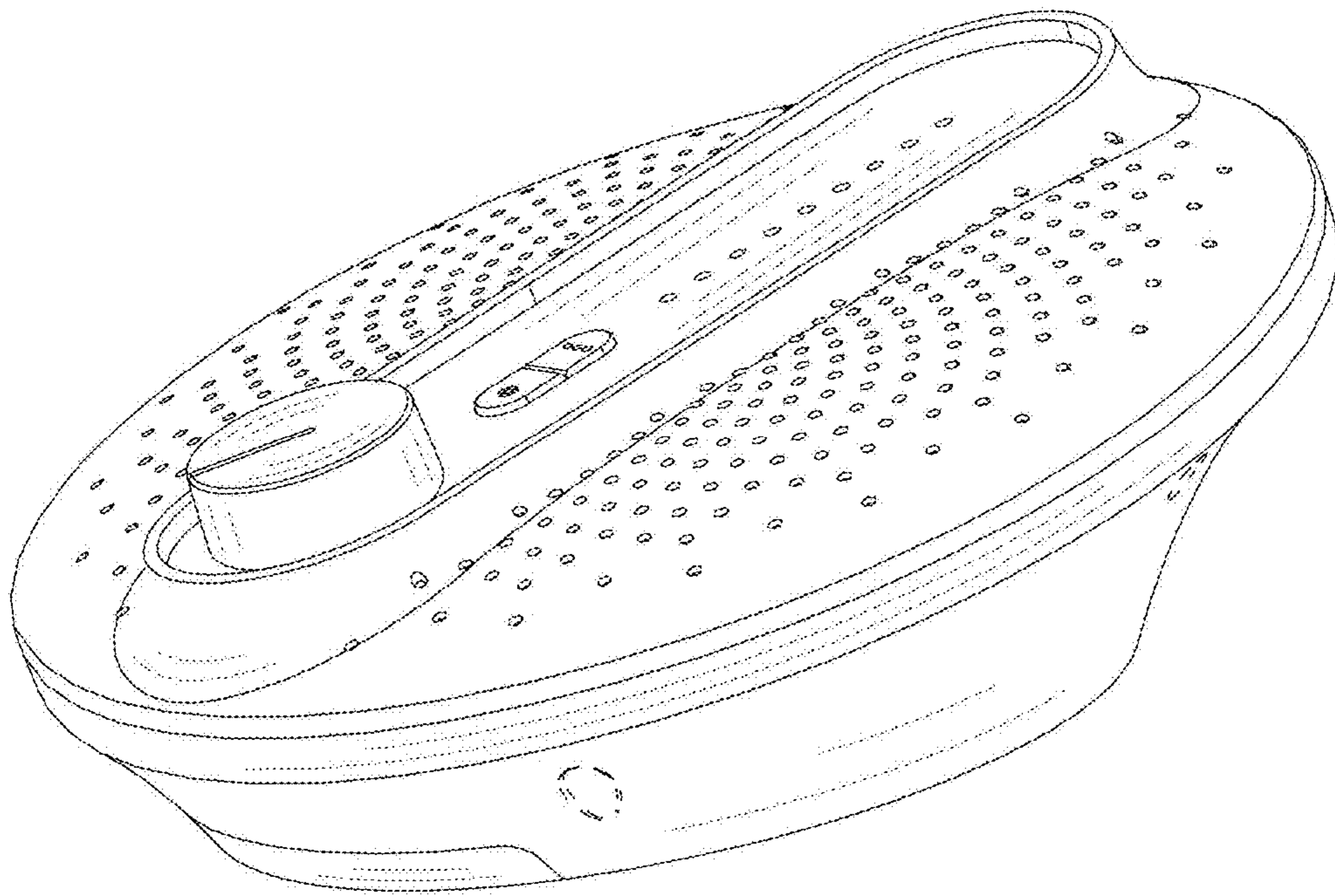


Fig. 7

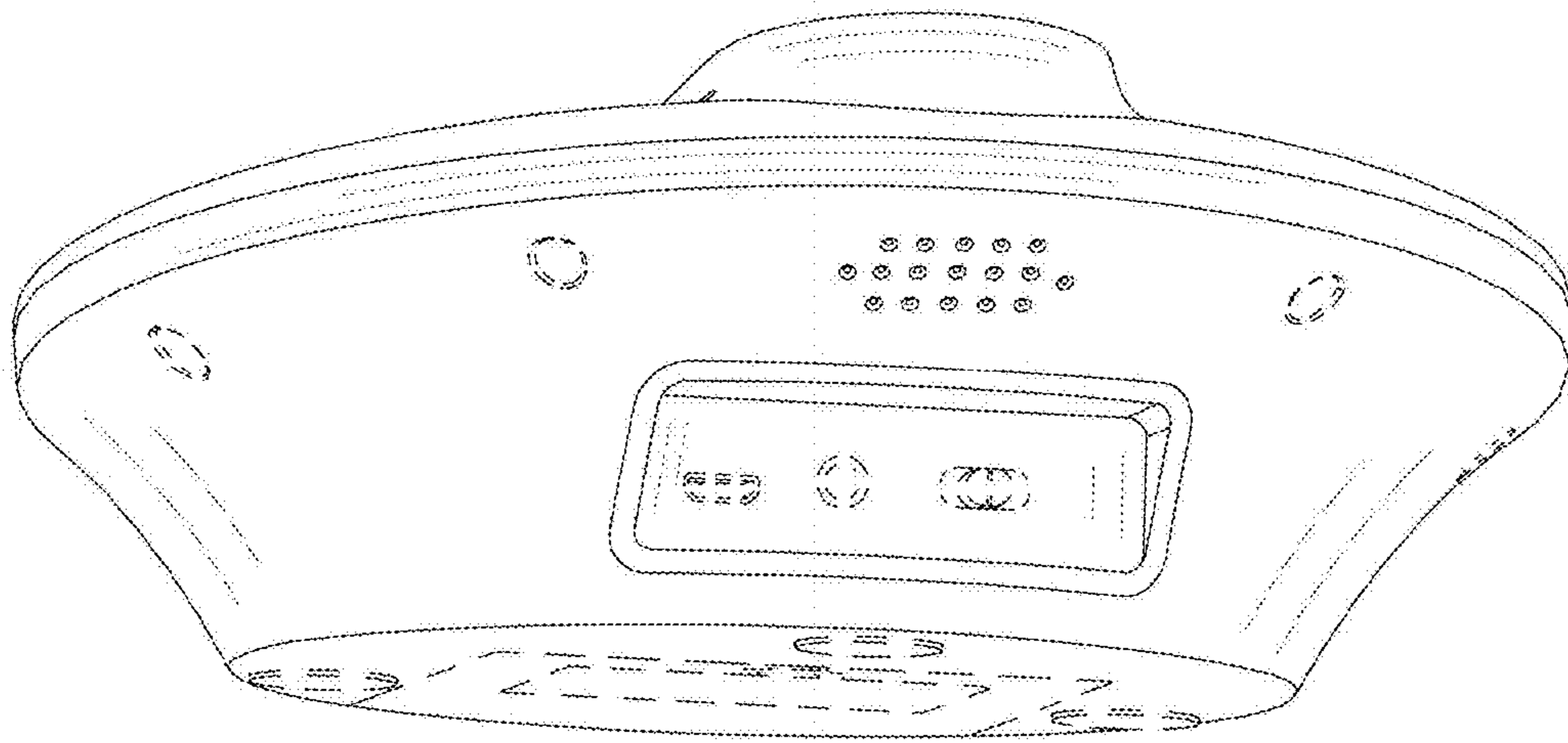


Fig. 8

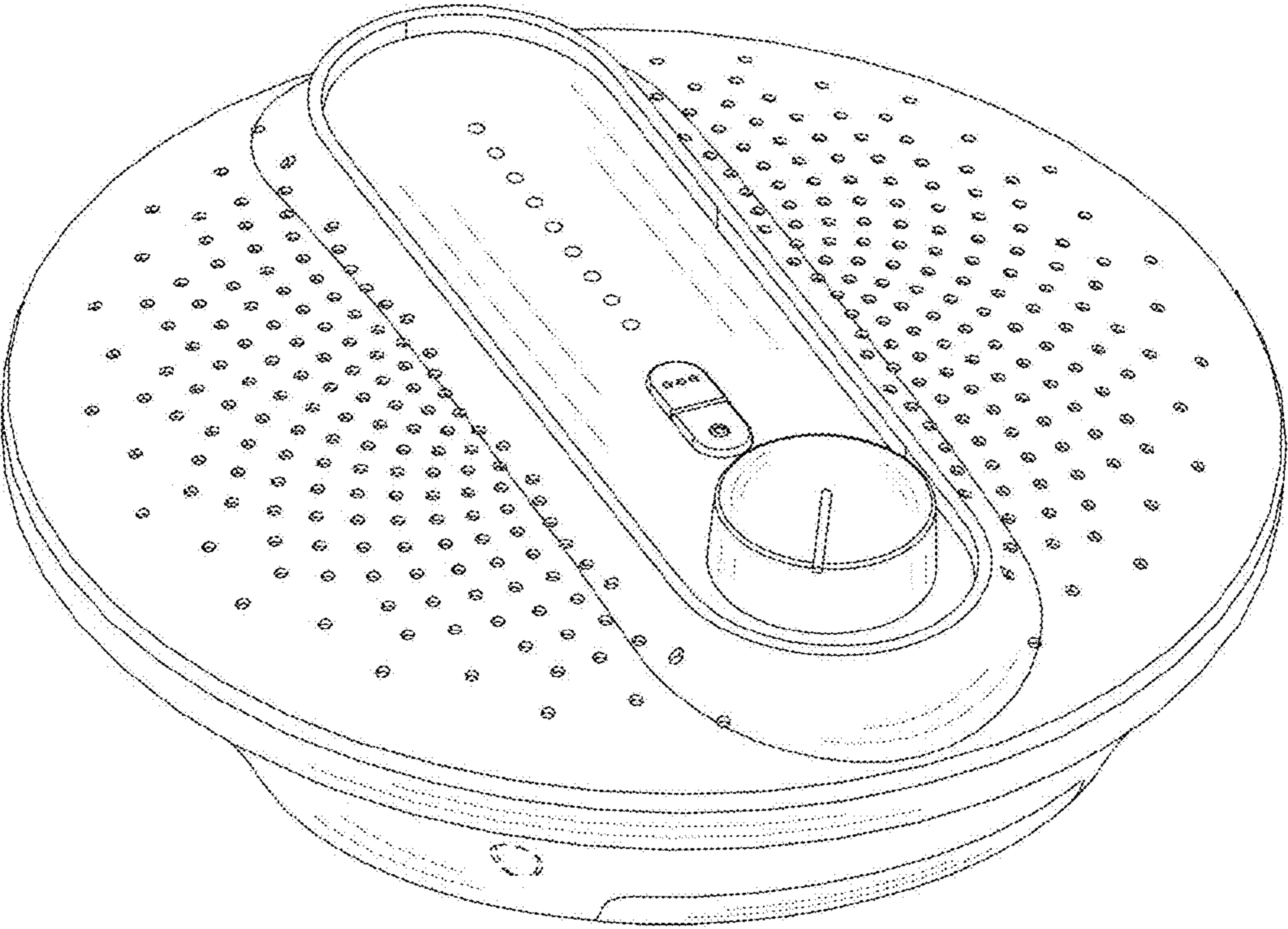


Fig. 9